



Domestic  
Air conditioner

# ***TECHNICAL DATA***

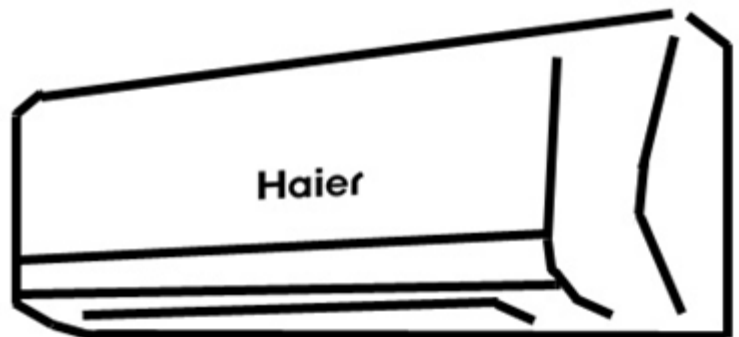
## **ON/OFF**

Wall mounted Type Arc-Series

HSU-24C03/Z  
HSU-24H03/Z

### **CAUTION**

1. READ THIS MANUAL CAREFULLY TO  
DIAGNOSE TROUBLE CORRECTLY  
BEFORE OFFERING SERVICE.
2. THIS MANUAL IS USED BY QUALIFIED  
APPLIANCE TECHNICIANS ONLY.
3. HAIER DOES NOT ASSUME ANY  
RESPONSIBILITY FOR PROPERTY  
DAMAGE OR PERSONAL INJURY FOR  
IMPROPER  
SERVICE PROCEDURES DONE BY ONE  
UNQUALIFIED PERSON.



# Table of Contents

<b>1. Features</b> .....	2
<b>2. Specifications</b> .....	3
<b>3. Remote controller lists</b> .....	6
<b>4. Sensors lists</b> .....	6
<b>5. Dimensional drawings</b> .....	7
<b>6. Operation range</b> .....	8
<b>7. Piping diagrams</b> .....	9
<b>8. Wiring diagrams</b> .....	10
<b>9. Capacity diagrams and curves diagrams</b> .....	12
<b>10. Sound level</b> .....	15
<b>11. Accessories</b> .....	16
<b>12. Control systems</b> .....	17
<b>13. Center of gravity</b> .....	20
<b>14. Installations</b> .....	21

# 1 Features



Healthy negative ion: make your room full of an abundance natural negative ions



ESF filter : Trap harmful dust and remove unpleasant odors effectively



DRY function: Make dehumidifying in the room when the unit is working in the "DRY" mode



Anti-mold filter: Catches most small particles and remove unpleasant odors effectively



Sleep mode: The setting temprature and the indoor noise can be adjusted to a more comfortable level when you set the "sleep mode"during night sleep



24 Hour timer: Use the timer function to set on,or off,or from on to off,or from off to on



Auto restart: The function permits automatic return to previous peration conditions



Easy clean design: The panel is easy to wash and the airflow vents can be detached without any special tools for quick cleaning of the inside of the air conditioner



Auto mode According to the fixed temperature "26°C " ,the unit will adjust the operation mode automatically.



## 2 Specifications

This information was not available at the time of publication .

NOMINAL CAPACITY and NOMINAL INPUT					
For indoor units only:					
INDOOR UNITS			HSU-24C03/Z		HSU-24H03/Z
NOMINAL INPUT	Cooling	nominal	kW	0.1	0.1
	Heating	nominal	kW	0.1	0.1

NOMINAL CAPACITY and NOMINAL INPUT					
Model			HSU-24C03/Z		HSU-24H03/Z
NOMINAL CAPACITY(3-4)	Cooling(1)	norm.	kw	6.8	6.8
	Heating(2)	norm.	kw	--	7.6
NOMINAL INPUT	Cooling	norm	kw	2.6	2.7
	Heating	norm.	kw	--	2.9
EER	Cooling			2.62	2.52
COP	Heating			--	2.62
ENERGY LABEL(7-8)	Cooling			--	--
	Heating			--	--
ANNUAL ENERGY CONSUMPTION(9)	Cooling		kwh	1020	1020

TECHNICAL SPECIFICATIONS						
INDOOR UNITS				HSU-24C03/Z	HSU-24H03/Z	
DIMENSIONS	Unit	H	mm	224		
		W	mm	1155		
		D	mm	308		
WEIGHT	Unit	kg		17		
COLOR	Unit	white				
SOUND LEVEL	Sound pressure (cooling/heating)(5)	high	dB(A)	47	48/50	
		medium	dB(A)	45	47/49	
		low	dB(A)	43	43/47	
	Sound power(cooling/heating)(6)	high	dB(A)	57	58/65	
FAN	Air flow rate(cooling/heating)	high	m <sup>3</sup> /min	15.9	15.9/16.3	
		low	m <sup>3</sup> /min	12.2	12.2/13.5	
		super low	m <sup>3</sup> /min	11.3	11.5/12.3	
	Speed(cooling/heating)	steps		5steps,silent and auto		
		high	rpm	1250	1250/1300	
		medium	rpm	1100	1100/1150	
		low	rpm	950	950/1000	
Type	Cross flow fan					
Motor output	W		35			
HEAT EXCHANGER	Type	ML - $\Phi$ 7Hi - XA tube				
	Rows x stages x fin pitch	2 x 10 x 1.4				
AIR FILTER	Removable/washable/mildew proof					
REMOTE CONTROLLER	YL-M07					
TEMPERATURE CONTROL	Microcomputer control					
PIPING CONNECTIONS(external diameter)	liquid	mm	$\Phi$ 9.52			
	gas	mm	$\Phi$ 15.88			
	drain	mm	$\Phi$ 16			
INSULATION MATERIAL	Heat insulation type				both liquid and gas pipes	

TECHNICAL SPECIFICATIONS					
OUTDOOR UNITS				HSU-24C03/Z	HSU-24H03/Z
NET DIMENSIONS (stop valve, and bottom support is not included)	Unit	H	mm	714	
		W	mm	860	
		D	mm	308	
WEIGHT	Unit		kg	67	69
COLOR	Unit	white			
SOUND LEVEL	Sound pressure(cooling/heating)(5)	high	dB(A)	58	57/58
	Sound power(cooling/heating)(6)	high	dB(A)	68	67/68
FAN	Air flow rate(cooling/heating)	high	m <sup>3</sup> /min	45	36/34
		low	m <sup>3</sup> /min	40	34/35
	Speed(cooling/heating)	high	rpm	830	850
		low	rpm	650	650
	Type	Propeller fan			
Motor output		W	35		
HEAT EXCHANGER	Type	ML fin -Φ 9.52HI - XA tube			
	Row x stage x fin pitch		mm	2 x 14x1.4	
REFRIGERANT CIRCUIT	Refrigerant type	R22			
	Refrigerant charge		kg	2.20	2.30
	Maximum allowable distance between indoor and outdoor		m	15	15
	Maximum allowable level difference		m	20	20
	Refrigerant control	---			
COMPRESSOR	Type	Rotary Compressor			
	Model	SUBJECT THU33WC6-U			
	Motor output		w	2650	
	Oil type	SUNISO 4GSI			
	Oil charge volume		L	1.050	
PIPING CONNECTIONS	liquid		mm	Φ9.52	
	gas		mm	Φ15.88	
	drain		mm	Φ16	
INSULATION MATERIAL	Heat insulation type			both liquid and gas pipes	

ELECTRICAL SPECIFICATIONS					
For combination indoor units+ outdoor units:				HSU-24C03	HSU-24H03
CURRENT	Nominal running current	cooling	A	12.4	12.5
		heating	A	-----	13.4
	Maximum running current	cooling	A	17.5	17.5
		heating	A	-----	17.5
	Starting current	cooling	A	20	20.5
		heating	A	-----	22

For indoor units only:			HSU-24C03	HSU-24H03
POWER SUPPLY			VM	VM
NOMINAL DISTRIBUTION SYSTEM VOLTAGE	Phase		1PH	1PH
	Frequency	Hz	50	50
	Voltage	V	220~230	220~230

## NOTES

- 1 Nominal cooling capacities are based on: indoor temperature 27°CDB/19°CWB \* outdoor temperature 35°CDB \* refrigerant piping length: 5m \* level difference: 0m.
- 2 Nominal heating capacities are based on: indoor temperature 20°CDB \* outdoor temperature 7°CDB/6°CWB \* refrigerant piping length 5m (horizontal) \* level difference 0m.
- 3 Capacities are net, including a deduction for cooling (an addition for heating) for indoor fan motor heat.
- 4 Units should be selected on nominal capacity. Maximum capacity is limited to peak periods.
- 5 The sound pressure level is measured in an anechoic room at 1m distance from the unit. It is a relative value, depending on the distance and acoustic environment. For measuring conditions: please refer to item 8 of this chapter.
- 6 The sound power level is an absolute value indicating the "power" which a sound source generates.
- 7 Energy label: scale from A (most efficient) to G (less efficient).
- 8 The energy label Directive 2002/31/EC will enter into force once the relevant measurement standard will be published in the European official Standard.
- 9 Annual energy consumption: based on average use of 500 running hours per year at full load (= nominal conditions)

### 3 Remote controller lists

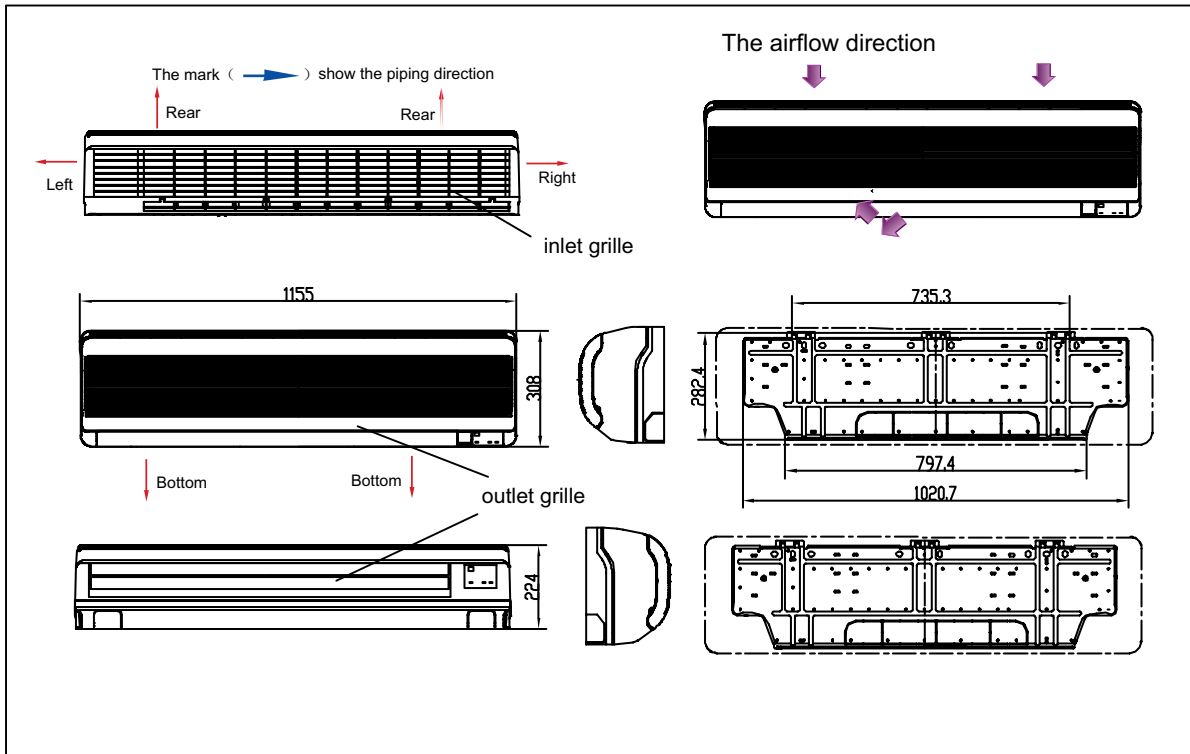
Model	HSU-24C03/Z	HSU-24H03/Z
YR-H03	Y	Y
YR-M05	Y	Y

### 4 Sensors lists

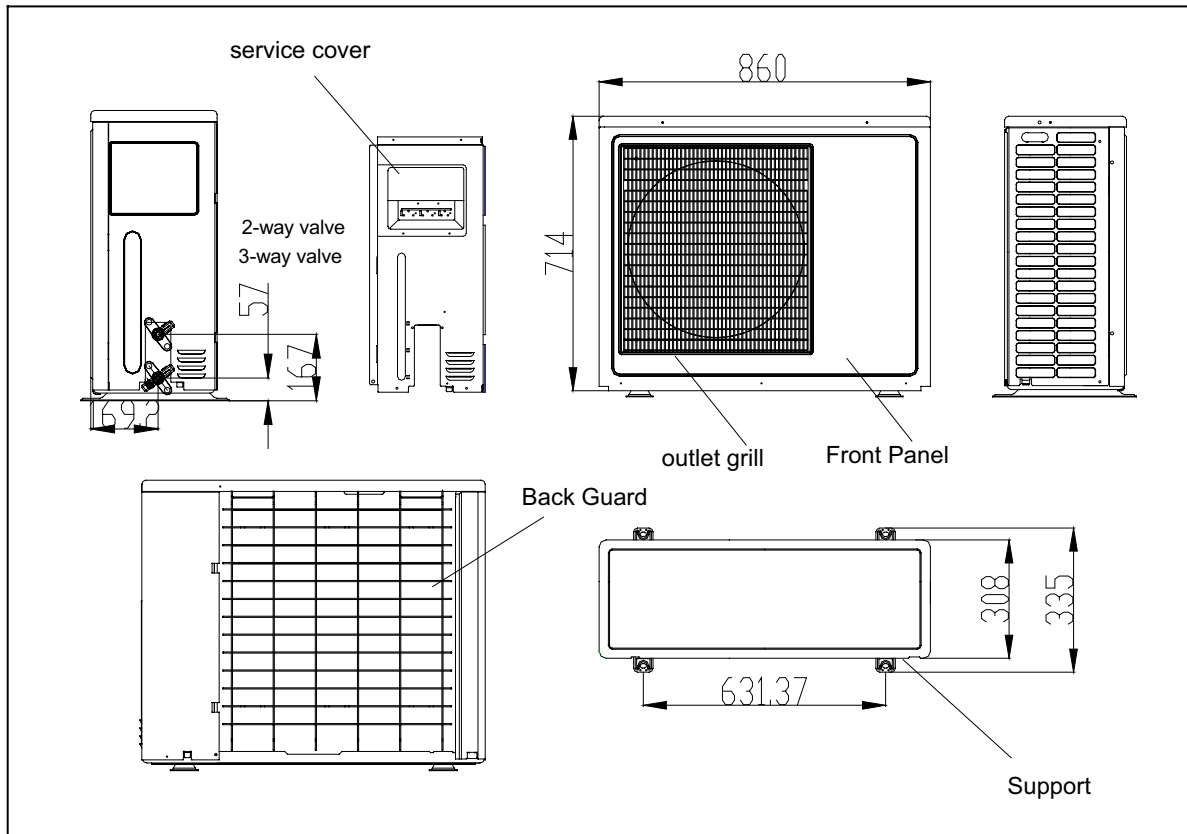
INDOOR UNIT		
type	Description	Qty
Room sensor	It's used for detecting room temperature	1
Pipe sensor	It's used for detecting temperature of evaporator	1

# 5 Dimensional drawings

## Indoor unit



## Outdoor unit

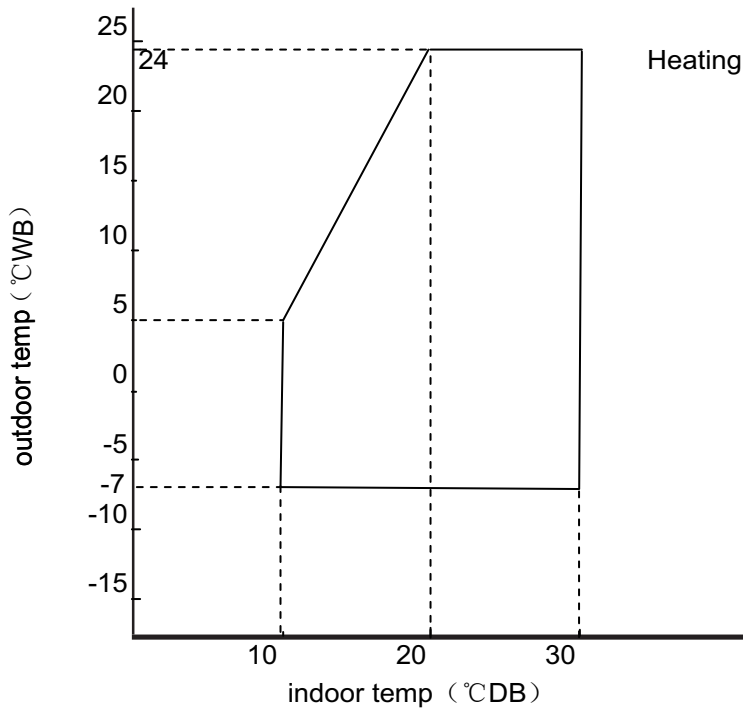
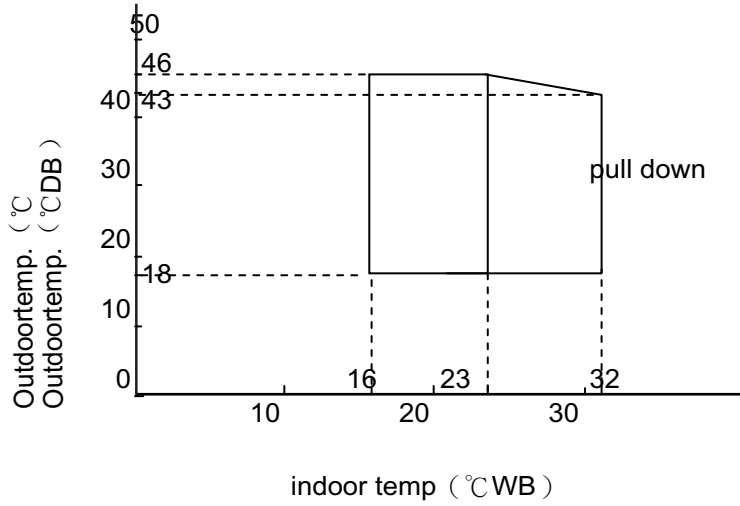




# 6 Operation range

The name of parts

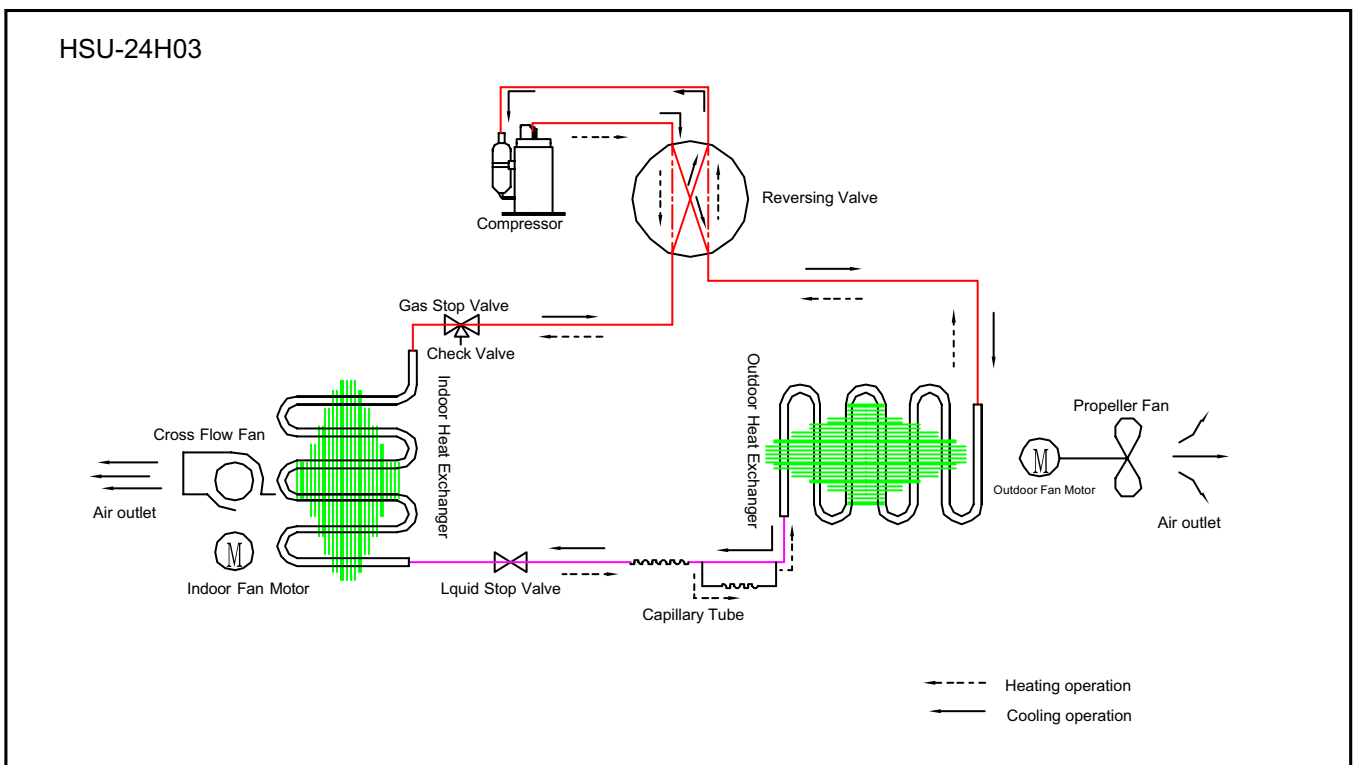
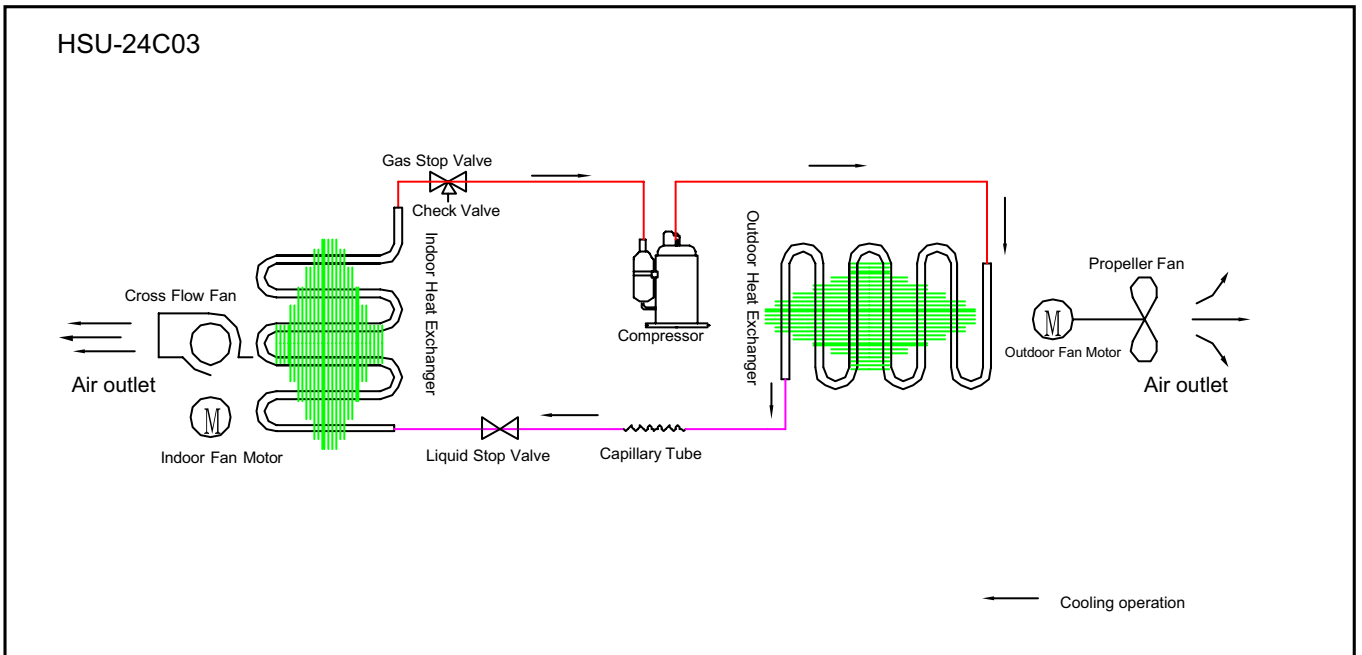
Cooling



Notes:

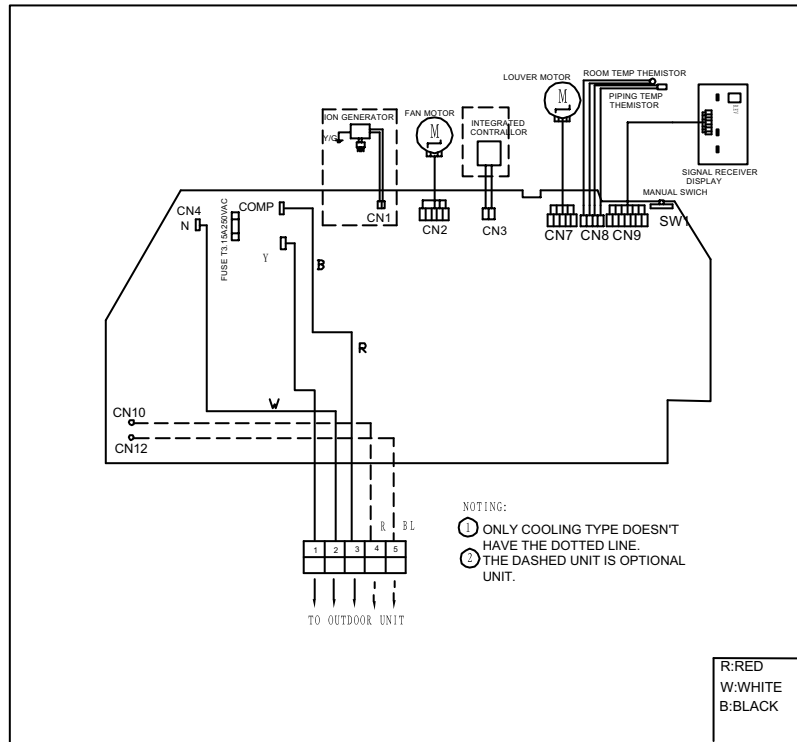
- The graphs are based on the following condition:
- Equivalent piping length      7.5m
- Level difference                    0m
- Air flow rate                        high

# 7 Piping diagrams

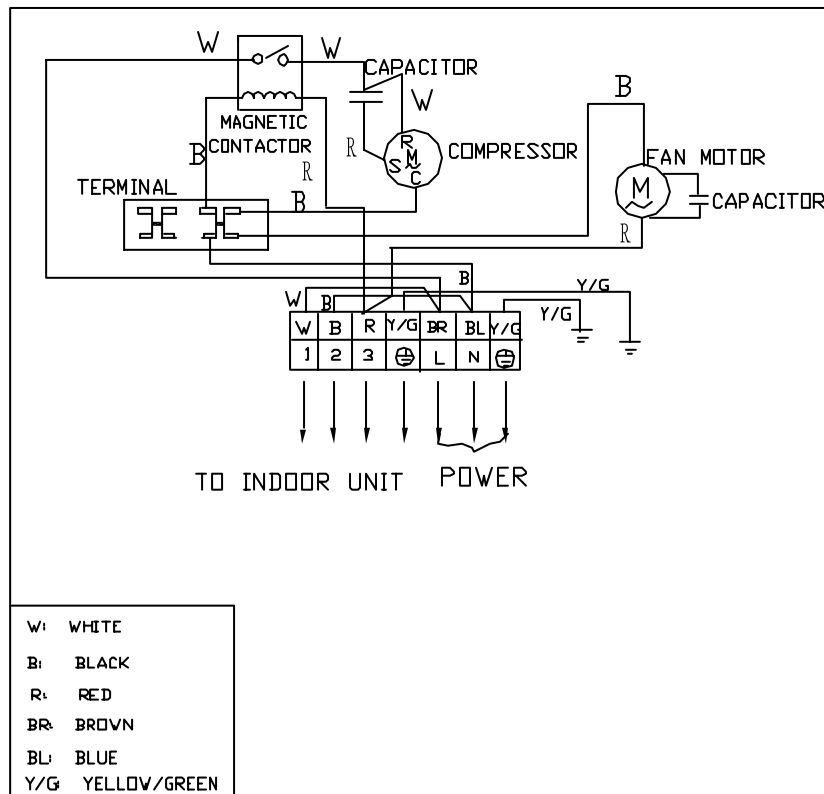


# 8 Wiring diagrams

HSU-24C03/Z  
Indoor unit

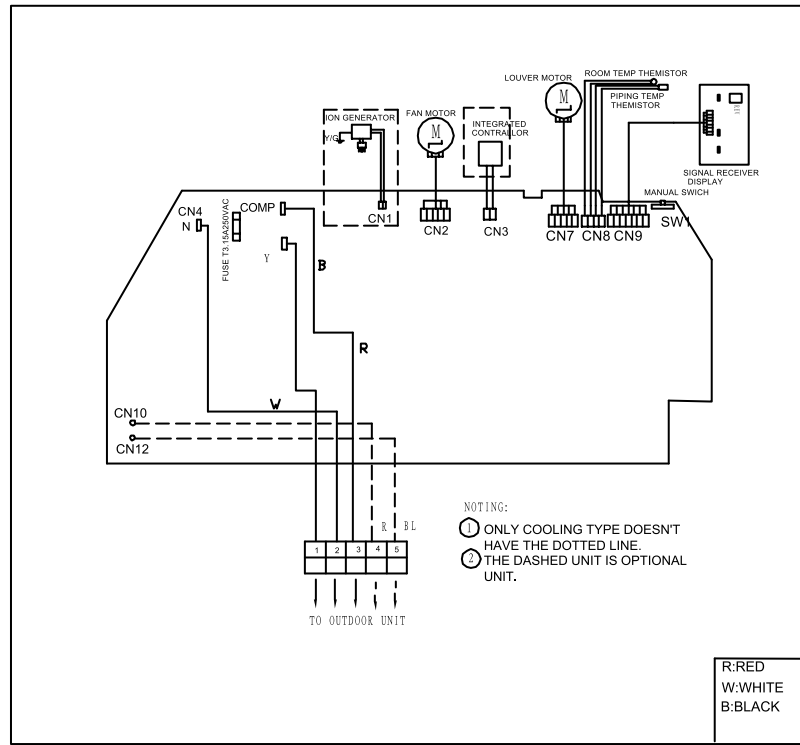


HSU-24C03/Z  
Outdoor unit

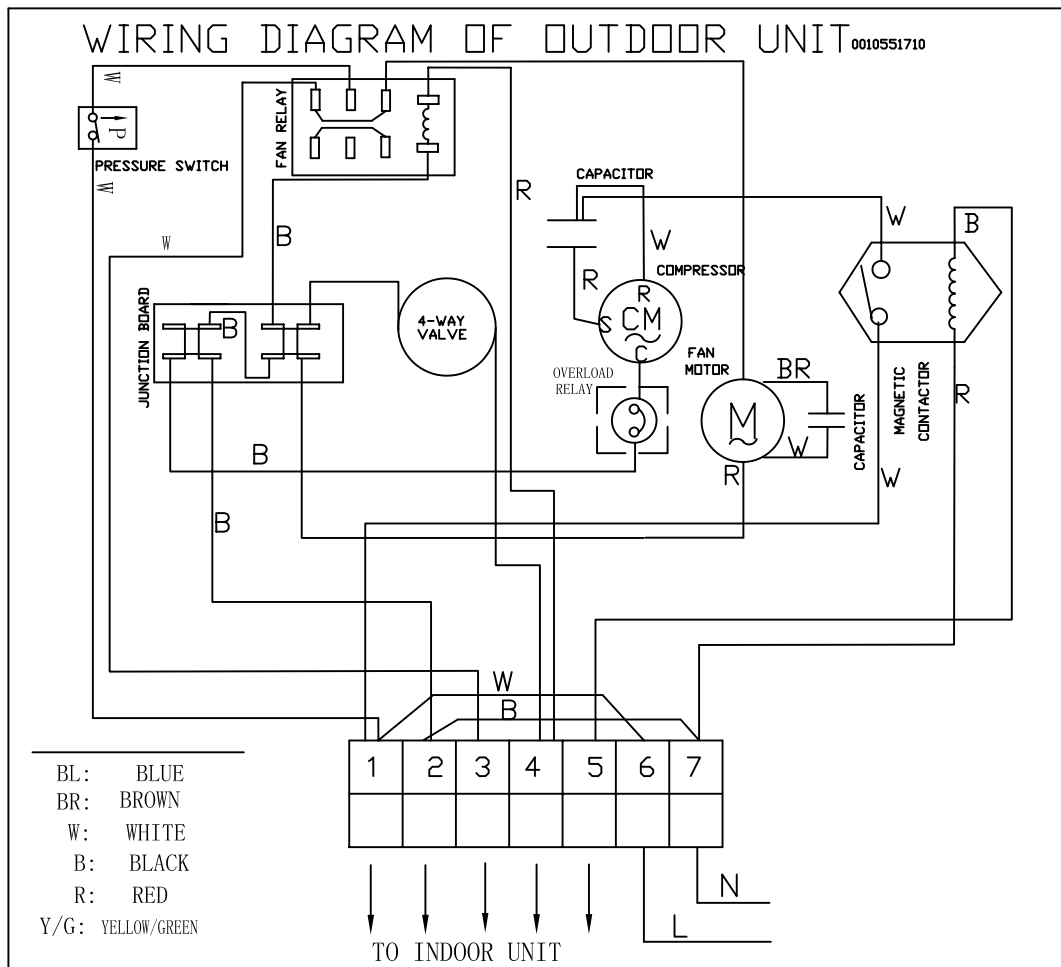


HSU-24H03/Z

Indoor unit

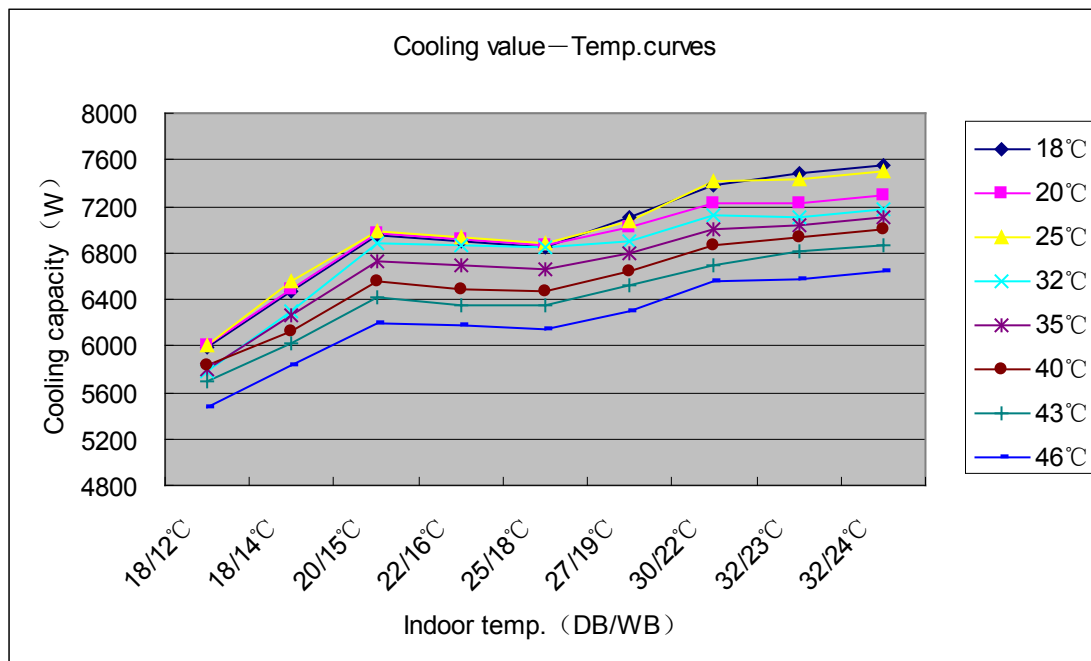


HSU-24H03/Z

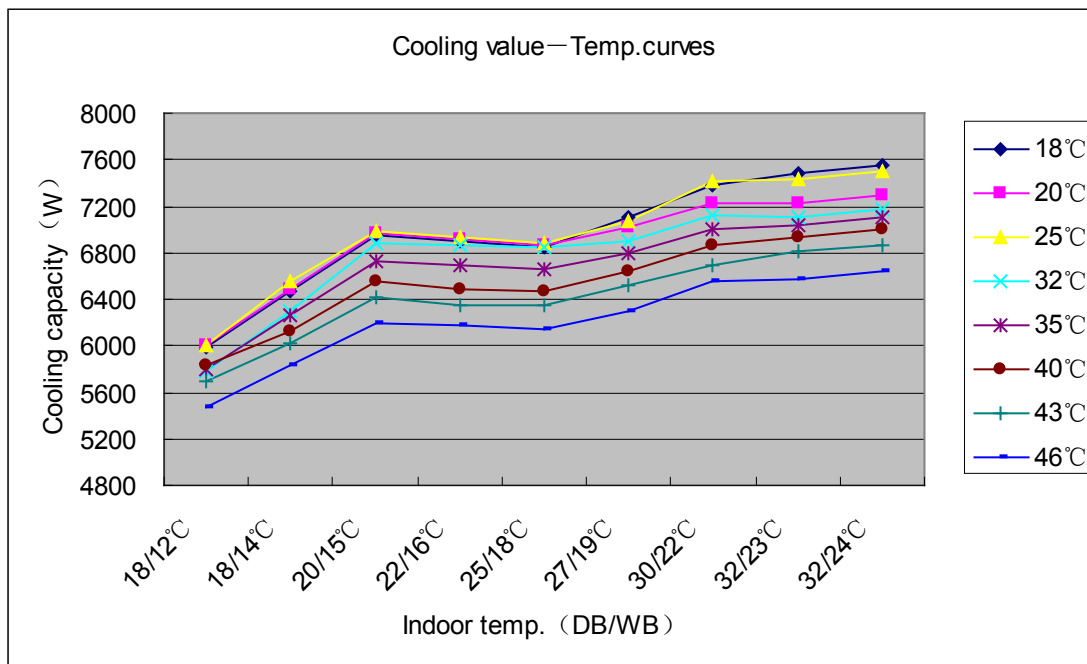


## 9 Capacity tables and curves diagrams

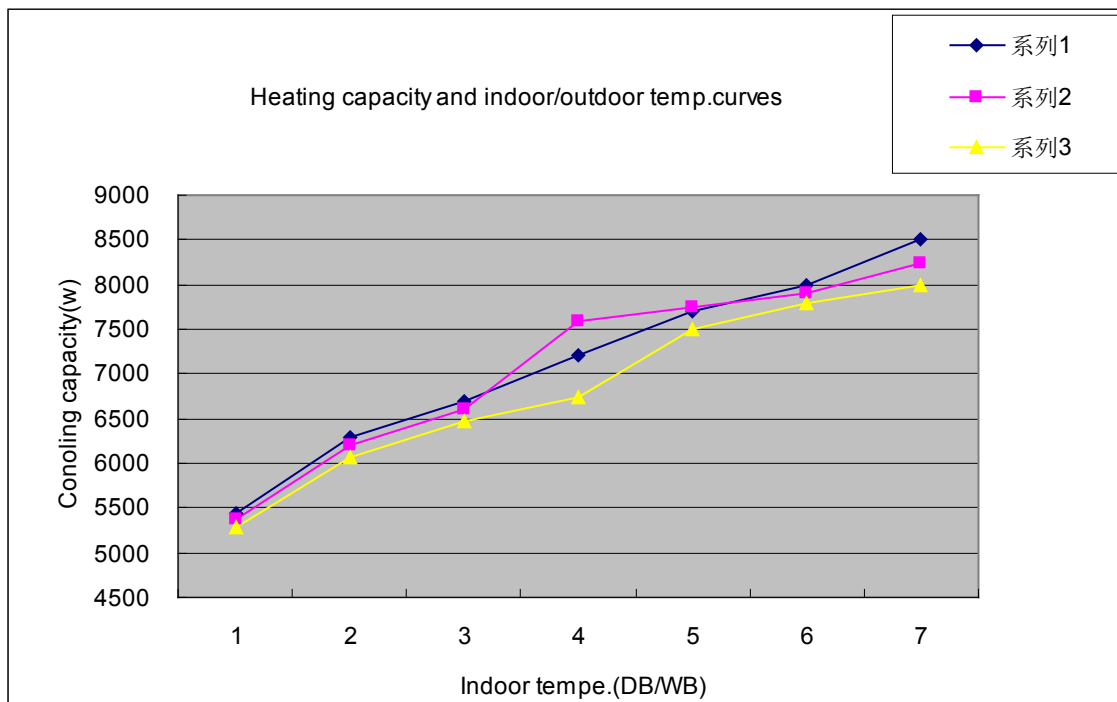
HSU-24C03/Z performance curves								
cooling value-temperature talbe								
indoor temp	outdoor temp.(humidity 46%)							
DB/WB	18℃	20℃	25℃	32℃	35℃	40℃	43℃	46℃
18/12℃	5986	5997	6007	5786	5796	5839	5689	5473
18/14℃	6469	6480	6547	6295	6258	6128	6016	5830
20/15℃	6951	6964	6977	6882	6720	6559	6423	6187
22/16℃	6897	6913	6930	6862	6687	6481	6342	6177
25/18℃	6844	6863	6882	6841	6654	6468	6345	6149
27/19℃	7105	7015	7065	6902	6800	6649	6526	6302
30/22℃	7382	7234	7422	7128	6998	6868	6696	6549
32/23℃	7482	7218	7428	7099	7042	6933	6805	6577
32/24℃	7561	7292	7506	7171	7113	7001	6870	6640



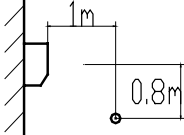
HSU-24H03/Z performance curves								
cooling value-temperature talbe								
indoor temp	outdoor temp.(humidity 46%)							
DB/WB	18℃	20℃	25℃	32℃	35℃	40℃	43℃	46℃
18/12℃	5986	5997	6007	5786	5796	5839	5689	5473
18/14℃	6469	6480	6547	6295	6258	6128	6016	5830
20/15℃	6951	6964	6977	6882	6720	6559	6423	6187
22/16℃	6897	6913	6930	6862	6687	6481	6342	6177
25/18℃	6844	6863	6882	6841	6654	6468	6345	6149
27/19℃	7105	7015	7065	6902	6800	6649	6526	6302
30/22℃	7382	7234	7422	7128	6998	6868	6696	6549
32/23℃	7482	7218	7428	7099	7042	6933	6805	6577
32/24℃	7561	7292	7506	7171	7113	7001	6870	6640



HSU-24H03/Z performance curves			
heating capacity and indoor/outdoor temp.curves			
outdoor temp.	indoor temp.(humidity 46%)		
DB/WB	15°C	20°C	25°C
-15°C	5445	5372	5275
-5°C	6284	6198	6075
5°C	6686	6594	6469
7/6°C	7199	7600	6728
15°C	7700	7750	7500
20°C	8000	7900	7800
25°C	8500	8250	8000

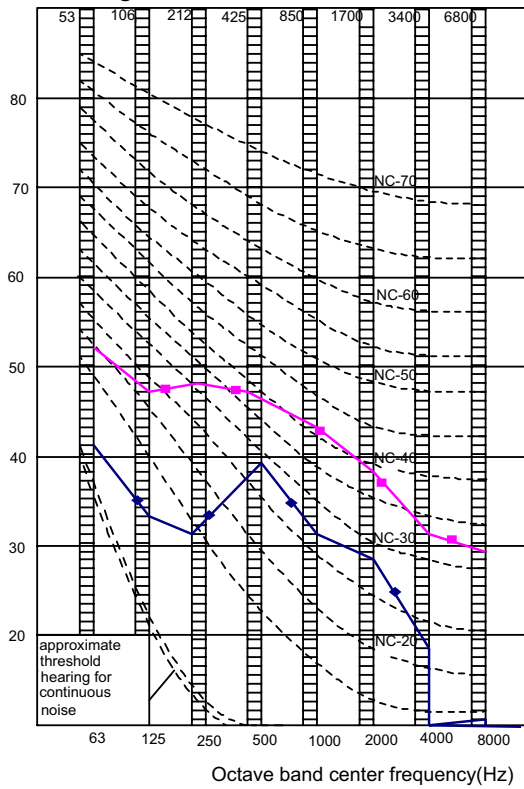


# 10 Sound level

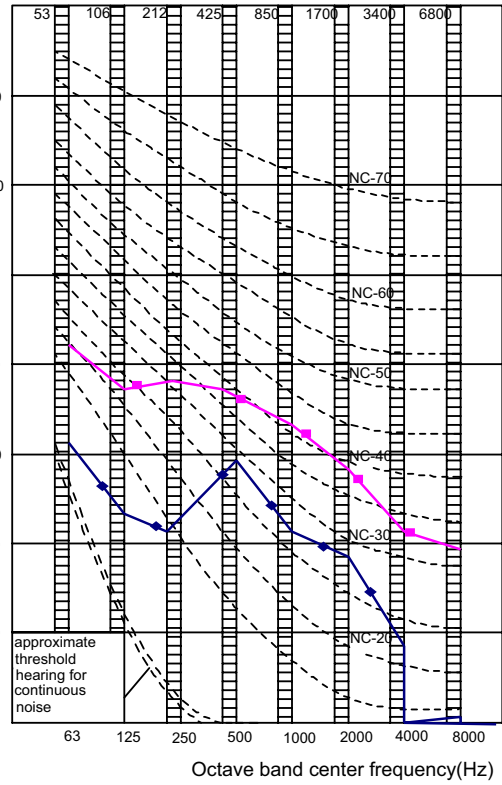
Model	Sound pressure level			Measuring location Location of microphone 	sound power level (cooling/heating)
	220~230V,50Hz				
	Cooling/heating				
	H	L	SL		
HSU-24C03/Z	47	45	43		57
HSU-24H03/Z	48/50	47/49	43/45		58/65

## HSU-24H03/Z

cooling

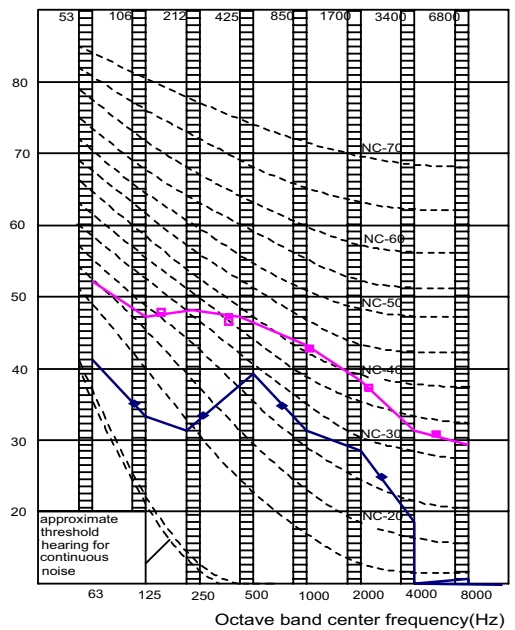


heating



◆ INDOOR  
■ OUTDOOR

## HSU-24C03/Z cooling





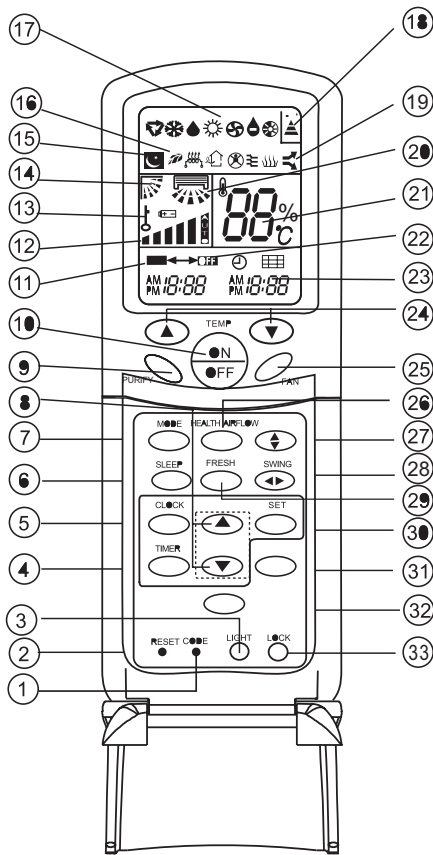
# 11 Accessories

## Standard accessories

Standard name	HSU-24C03/Z	HSU-24H03/Z
Drain hose	1	1
Plastic bag	1	1
screw assembly	1	1
Air purifier	2	2
Battery	2	2
Mounting plate	1	1
Remote controller	1	1
Installation manual	1	1
Operation manual	1	1

# 12 Control systems

## HSU-24C03/Z



### 1.CODE

Used to select CODE A or B with a press,A or B will be displayed on LCD.  
Please select A without special explanation.

### 2.RESET

When the remote controller appears abnormal, use a sharp pointed article to press this button to reset the remote controller normal.

### 3.LIGHT button

Control the lightening and extinguishing of the indoor LED display board.

### 4. TIMER button

Used to select TIMER ON, TIMER OFF, TIMER ON-OFF.

### 5. CLOCK button

Used to set correct time.

### 6. SLEEP button

Used to select sleep mode.

### 7. MODE button



### 8. HUMIDITY

Used for adjusting humidity or clock time and timed time.

### 9. Purify button

Used to set air ionization purify and healthy function.

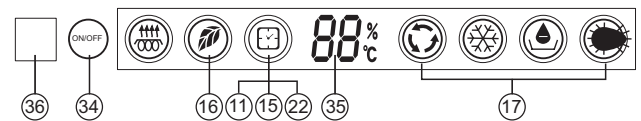
### 10. ON/OFF button

Used for unit start and stop.

About temperature/humidity display key:

1.under the constant temperature dehumidification mode, for the first time to enter, then the remote controller displays the set temperature, the display panel displays the actual temperature, press this key, the temperature /humidity won't alternate. After adjusting the set temperature, press this key again, the remote controller will display the set temperature or the set humidity, and the display will display the actual temperature or the actual humidity at the same time.

2.Under the other modes, press this key, the display panel will display the actual humidity at present for a certain time, then the actual humidity will automatically switch back to display temperature. The display of the remote controller won't change.



### 11. TIMER ON display

### 12. FAN SPEED display



### 13. LOCK display

### 14. SWING UP/DOWN display

### 15. SLEEP display

### 16. HEALTH display

### 17. Operation mode display

Operation mode	AUTO	COOL	DRY	HEAT	FAN
Remote controller					
Display board					

### 18.Singal sending display

### 19. POWER/SOFT display

### 20. Left/right air flow display

### 21. TEMP display

Remote controller: to display the TEMP. setting.

### 22. TIMER OFF display

### 23. CLOCK display

### 24. TEMP button

Used to select your desired temperature.

### 25. FAN button

Used to select fan speed: LOW, MED, HI, AUTO.

### 26. HEALTH AIRFLOW button

Used to set the health airflow mode.

### 27. SWING UP/DOWN button

Used to select up or down air sending direction.

### 28. SWING LEFT/RIGHT button

Used to select left/right air flow.

### 29. FRESH button

Use to set fresh air function.

### 30. SET button

Used to confirm timer and clock settings.

### 31. POWER/SOFT button

Used to set power/soft function.

### 32. TEMP/HUMIDITY DISPLAY button

Used for the display panel to choose displaying the actual temperature or the actual humidity at present.

### 33. LOCK

Used to lock buttons and LCD display. If pressed, the other buttons will be disabled and the lock condition display appears. Press it once again, lock will be canceled and lock condition display disappears.

### 34. ON/OFF button

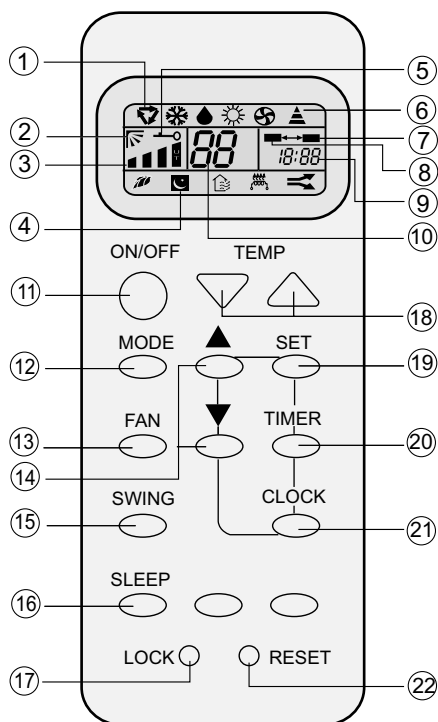
Used to set ON/OFF operation and test operation.

### 35. Ambient temp.display

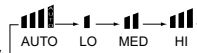
When receiving the remote control signal, display the set temperature and in the rest time the room temperature is displayed and this room temperature is only for reference.

### 36. Remote signal receiver

## HSU-24H03/Z



1. Mode display  
 AUTO ❄️  
 COOL ❄️  
 DRY 💧  
 HEAT ☀️  
 FAN 🌀
2. SWING display
3. FAN SPEED display
4. SLEEP display
5. LOCK display
6. SIGNAL SENDING
7. TIMER OFF display
8. TIMER ON display
9. CLOCK display
10. TEMP display
11. POWER ON/OFF  
 Used for unit start and stop.
12. MODE  
 Used to select AUTO run, COOL, DRY, HEAT and FAN operation
13. FAN  
 Used to select fan speed LO, MED, HI, AUTO
14. HOUR  
 Used to set clock and timer setting.
15. SWING  
 Used to set auto fan direction.
16. SLEEP  
 Used to select sleep mode.
17. LOCK  
 Used to lock buttons and LCD display.
18. TEMP.  
 Used to select your desired temp.
19. SET  
 Used to confirm timer and clock settings.
20. TIMER  
 Used to select TIMER ON, TIMER OFF, TIMER ON-OFF
21. CLOCK  
 Used to set correct time
22. RESET  
 Used to reset the controller back to normal condition.



### Clock set

When unit is started for the first time and after replacing batteries in remote controller, clock should be adjusted as follows:

Press CLOCK button, "AM" or "PM" flashes.

Press  $\Delta$  or  $\nabla$  to set correct time. Each press will increase or decrease 1min. If the button is kept depressed, time will change quickly.

After time setting is confirmed, press SET, "AM" and "PM" stop flashing, while clock starts working.

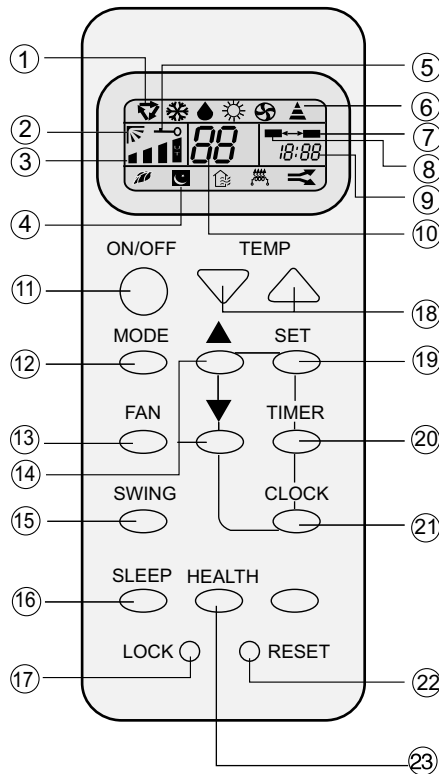
NOTE: Cooling only unit do not have displays and functions related with heating





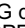
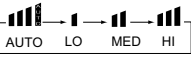
### Hints

After replacing with new batteries, remote controller will conduct self-check, displaying all information on LCD. Then, it will become normal.

## Buttons and display of the remote controller

If the unit which you purchased has healthy function, Remote controller should like the following figure:



1. Mode display  
 AUTO   
 COOL   
 DRY   
 HEAT   
 FAN 
2. SWING display
3. FAN SPEED display 
4. SLEEP display
5. LOCK display
6. SIGNAL SENDING
7. TIMER OFF display
8. TIMER ON display
9. CLOCK display
10. TEMP display
11. POWER ON/OFF  
Used for unit start and stop.
12. MODE  
Used to select AUTO run, COOL, DRY, HEAT and FAN operation
13. FAN  
Used to select fan speed LO, MED, HI, AUTO
14. HOUR  
Used to set clock and timer setting.
15. SWING  
Used to set auto fan direction.
16. SLEEP  
Used to select sleep mode.
17. LOCK  
Used to lock buttons and LCD display.
18. TEMP.  
Used to select your desired temp.
19. SET  
Used to confirm timer and clock settings.
20. TIMER  
Used to select TIMER ON, TIMER OFF, TIMER ON-OFF
21. CLOCK  
Used to set correct time
22. RESET  
Used to reset the controller back to normal condition.
23. HEALTH  
Used to set healthy operation

### BRIEF INTRODUCTION TO HEALTH OPERATION

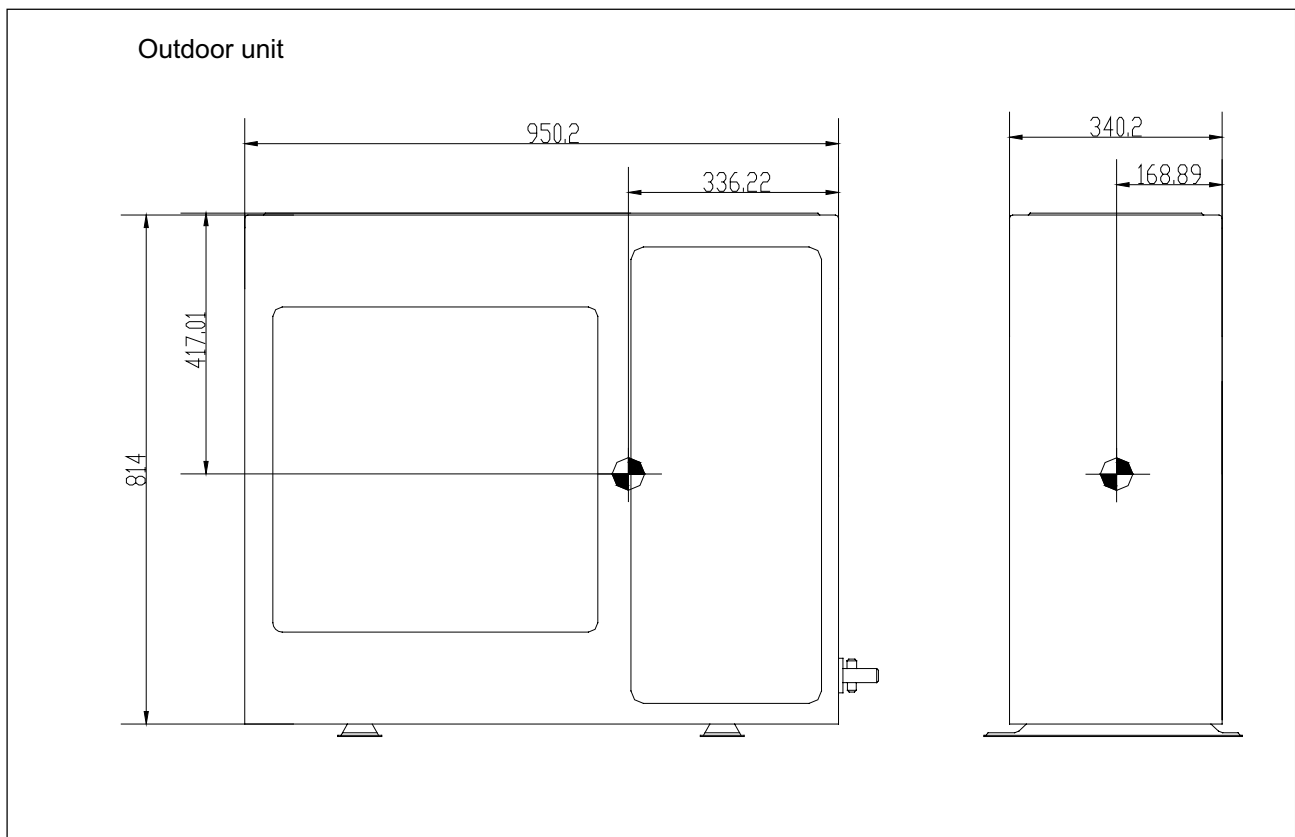
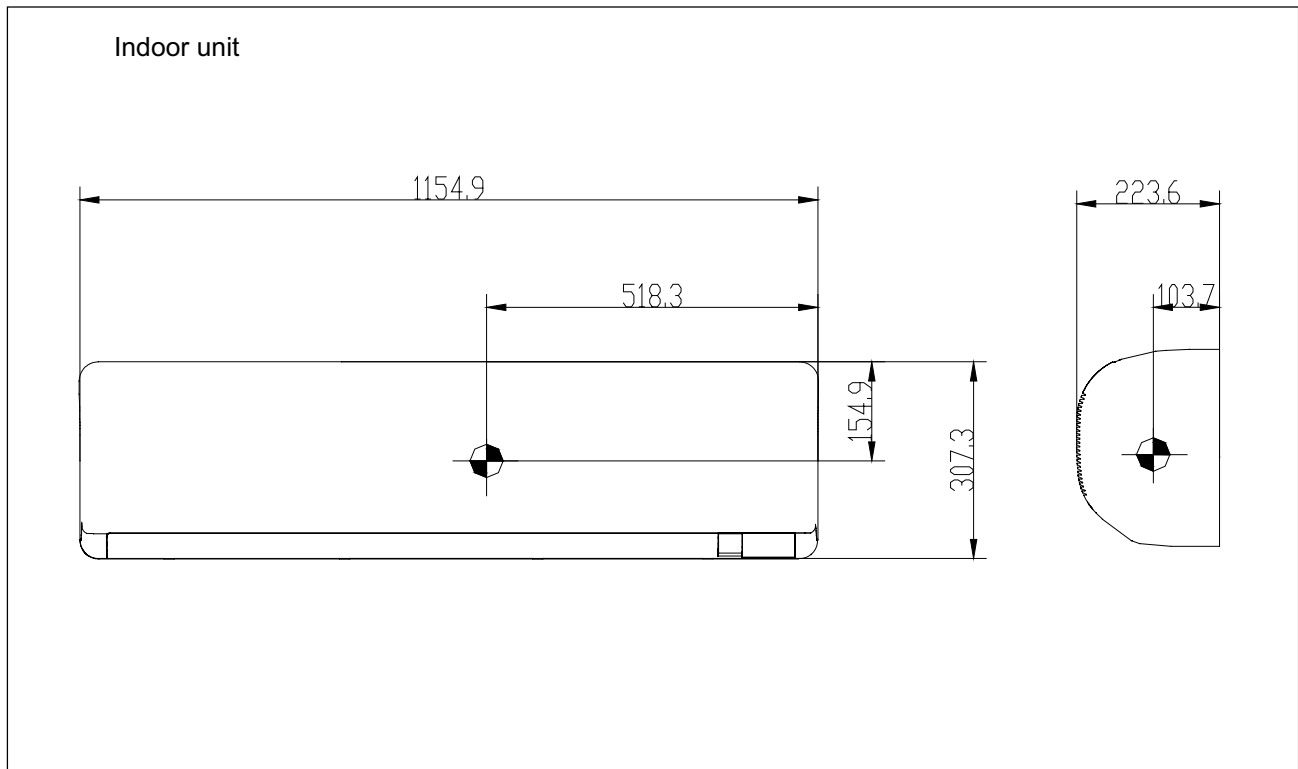
The anion generator in the air conditioner can generate a lot of anion to effectively balance the quantity of positive and anion in the air and also to kill bacteria and speed up the dust sediment in the room and finally clean the air in the room.

NOTE: Cooling only unit do not have displays and functions related with heating

### Hints

After replacing with new batteries, remote controller will conduct self-check, displaying all information on LCD. Then, it will become normal.

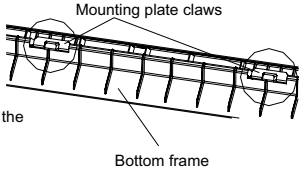
# 13 Center of gravity



# 14 Installation

**Indoor**

- How to attach the indoor unit.  
Hook the claws of the bottom frame to the mounting plate.  
If the claws are difficult to hook ,remove the front panel.
- How to remove the indoor unit.  
Push up the marked area (at the lower part of the front panel ) to release the the claws . If it is difficult to release ,remove the front panel .



Mounting plate claws  
Bottom frame

The mounting plate should be installed on a wall which can support the weight of the indoor unit.

Piping hole pipe

Cut thermal insulation pipe to an appropriate length and wrap it with tape, making sure that no gap is left in the insulation pipe's cut line .

Air Filter

**How to remove the air filter.**

Open the inlet grille by pulling it upward.

Push up the filter's center tab slightly until it is released from the stopper, and remove the filter downward.

**How to Attach the air filter.**

Attach the filter correctly so that the "FRONT" indication is facing to the front.Make sure that the filter is completely fixed behind the stopper.If the right and left filters are not attached correctly, that may cause defects.

Close the inlet grille.

**Service lid**  
The service lid is an open/close type

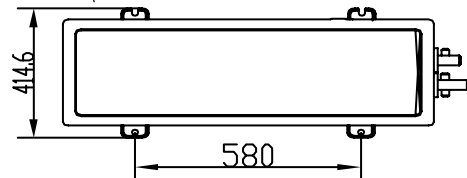
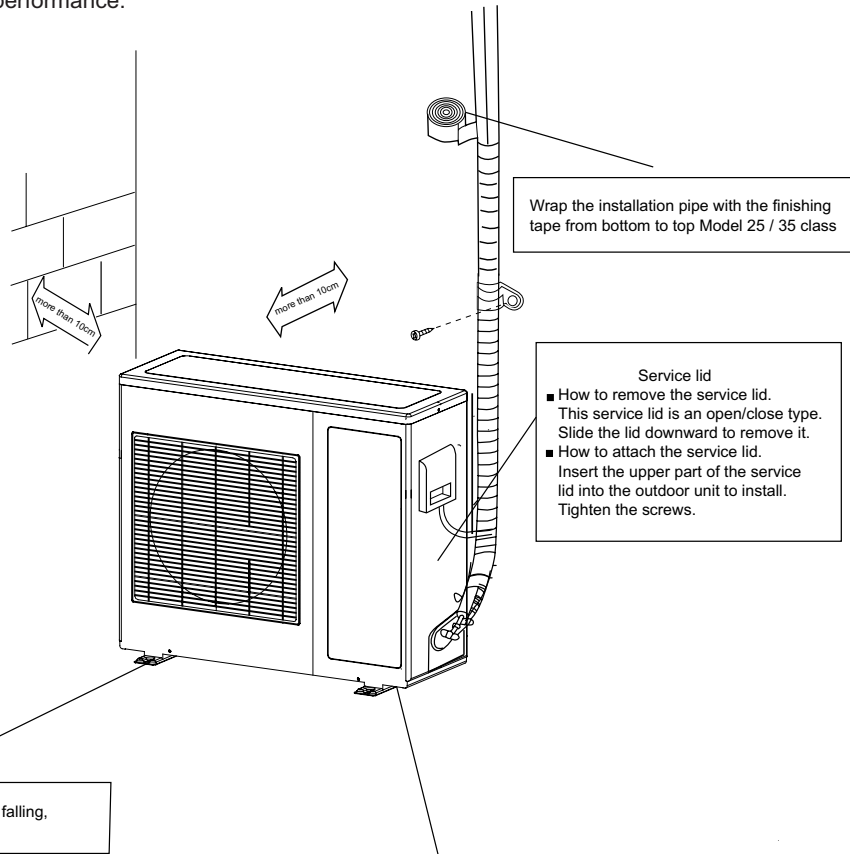
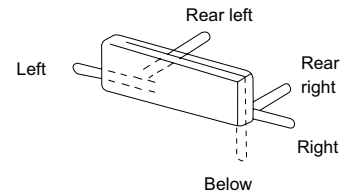
Remove the screws on the service lid.  
Slide the service lid leftward.  
Rotate the service lid upward

## Outdoor

Model	26/28 class
Max.allowable length	Cooling only: 20m Heat pump: 25m
Max.allowable height	15m
Additional refrigerant required for refrigerant pipe exceeding 5m in length	16g/m
Gas pipe	O.D. 15.88
Liquid pipe	O.D. 9.52

\*Be sure to add the proper amount of additional refrigerant. Failure to do so may result in reduced performance.

Arrangement of piping directions



- Fix the unit to concrete or block with bolts( $\phi$ 10mm) and nuts firmly and horizontally.
- When fitting the unit to wall surface, roof or rooftop, fix a supporter surely with nails or wires in consideration of earthquake and strong wind. The distance between the indoor unit and the floor should be more than 2m
- If vibration may affect the house, fix the unit by attaching a vibration-proof mat.

# Sincere Forever



Haier Group

---

Haier Industrial Park, No.1, Haier Road

266101, Qingdao, China

E-mail: [hractech@haier.com](mailto:hractech@haier.com)

Tel: +86 532 87636957

[Http://www.haier.com](http://www.haier.com)

Edited by: Guo Xia

Signed by: Zhang Lizhi

Approved by: Zhu Zhenxue