



SPLIT TYPE AIR
CONDITIONER (50Hz)
DUCT type

**SERVICE
MANUAL**

Models	Indoor unit	Outdoor unit
	ARG18RLB	AOG18RZDL
	ARG18RLBH	

C O N T E N T S

SPECIFICATIONS..... 1
 OUTLINE AND DIMENSIONS..... 2
 CIRCUIT DIAGRAM..... 3
 INDOOR PRINTED CIRCUIT BOARD CIRCUIT DIAGRAM... 4
 OUTDOOR PRINTED CIRCUIT BOARD CIRCUIT DIAGRAM.. 5
 PRINTED CIRCUIT BOARD LAYOUTS..... 6
 REFRIGERANT SYSTEM DIAGRAM..... 8
 DISASSEMBLY ILLUSTRATION..... 9
 PARTS LIST..... 15

S P E C I F I C A T I O N S

INDOOR UNIT	ARG18RLB, ARG18RLBH		
OUTDOOR UNIT	AOG18RZDL		
COOLING CAPACITY (kW)	5.20 - 5.30		
HEATING CAPACITY (kW)	5.50 - 5.60		

ELECTRICAL DATA

POWER SOURCE (V)	220 -240		
FREQUENCY (Hz)	50		
RUNNING CURRENT (A)	COOLING	9.4 - 9.2	
	HEATING	8.3 - 8.2	
INPUT WATTS (kW)	COOLING	2.05 - 2.15	
	HEATING	1.80 - 1.90	
EER (kcal/hW)	COOLING	2.54 - 2.47	
	HEATING	3.06 - 2.95	
MOISTURE REMOVAL (ℓ/hr)	1.6		
AIR CIRCULATION-Hi (m ³ /hr)	750		

COMPRESSOR

TYPE	Hermetic type, Permanent split condenser, 2 pole, Single phase, Induction motor
CODE	AWG5524EXC

FAN MOTOR

TYPE	ARG18RLB	ARG18RLBH	AOG18RZDL
	MFA-18FTT	MFA-18FTAT	MFB-252TBT
POWER SOURCE (V)	220 - 240		
HI-SPEED (r.p.m)	960	1,200(at 0 pa)	740
MED-SPEED (r.p.m)	900	1,110(at 0 pa)	—
LO-SPEED (r.p.m)	840	990(at 0 pa)	280

DIMENSIONS

HEIGHT (mm)	217	643
WIDTH (mm)	953	840
DEPTH (mm)	595	336

WEIGHTS

GROSS WEIGHT (kg)	29	76
NET WEIGHT (kg)	25	67

ADDITIONAL REFRIGERANT CHARGE

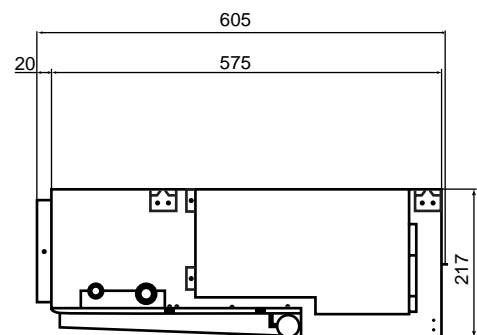
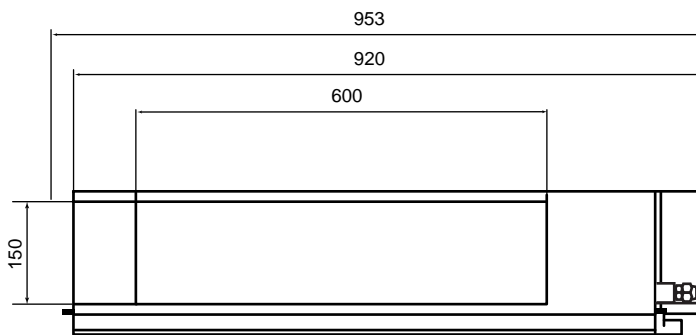
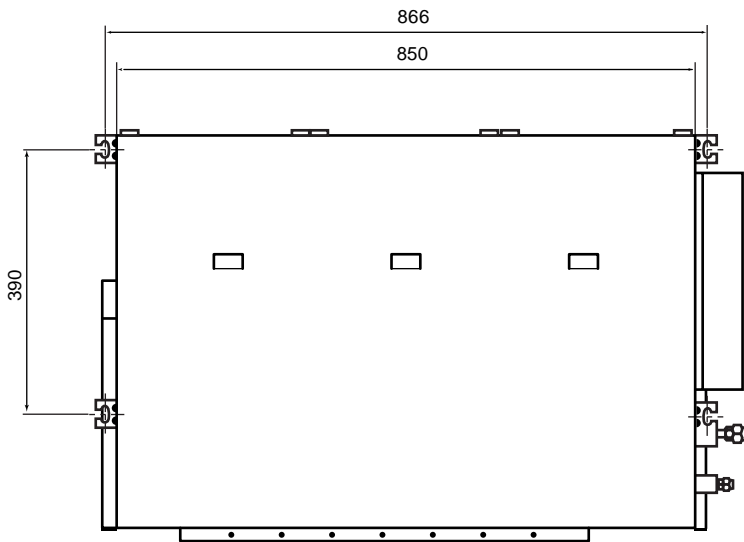
PIPE LENGTH		7.5m(25ft)	10m(33ft)	15m(49ft)	20m(66ft)
FULL CHARGE AMOUNT	ARG18RLB	1,650g (58.2oz.)	1,775g (62.6oz.)	2,025g (71.4oz.)	2,275g (80.2oz.)
	ARG18RLBH				

Note : •Between 7.5m and 20m, when using a connection pipe other than that in the table, charge additional refrigerant with 50g(1.8oz.)/1m(3.3ft) for ARG18RLB and ARG18RLBH as the criteria.
•The above list shows values at the external static pressure of 0 Pa for ARG18RLB and 40 Pa for ARG18RLBH.

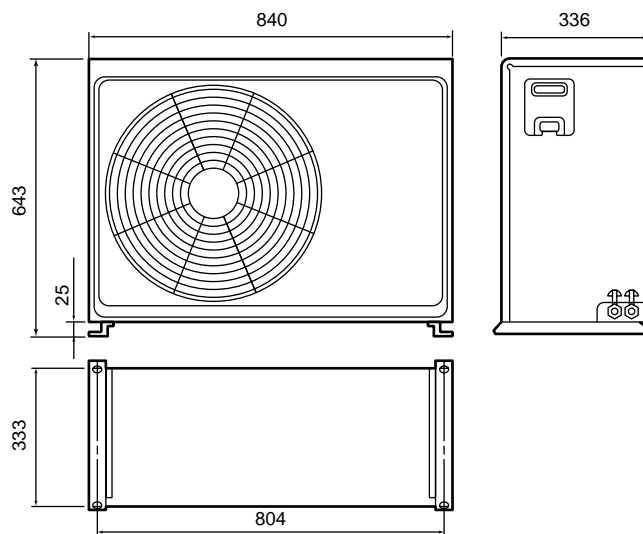
OUTLINE AND DIMENSIONS

INDOOR UNIT

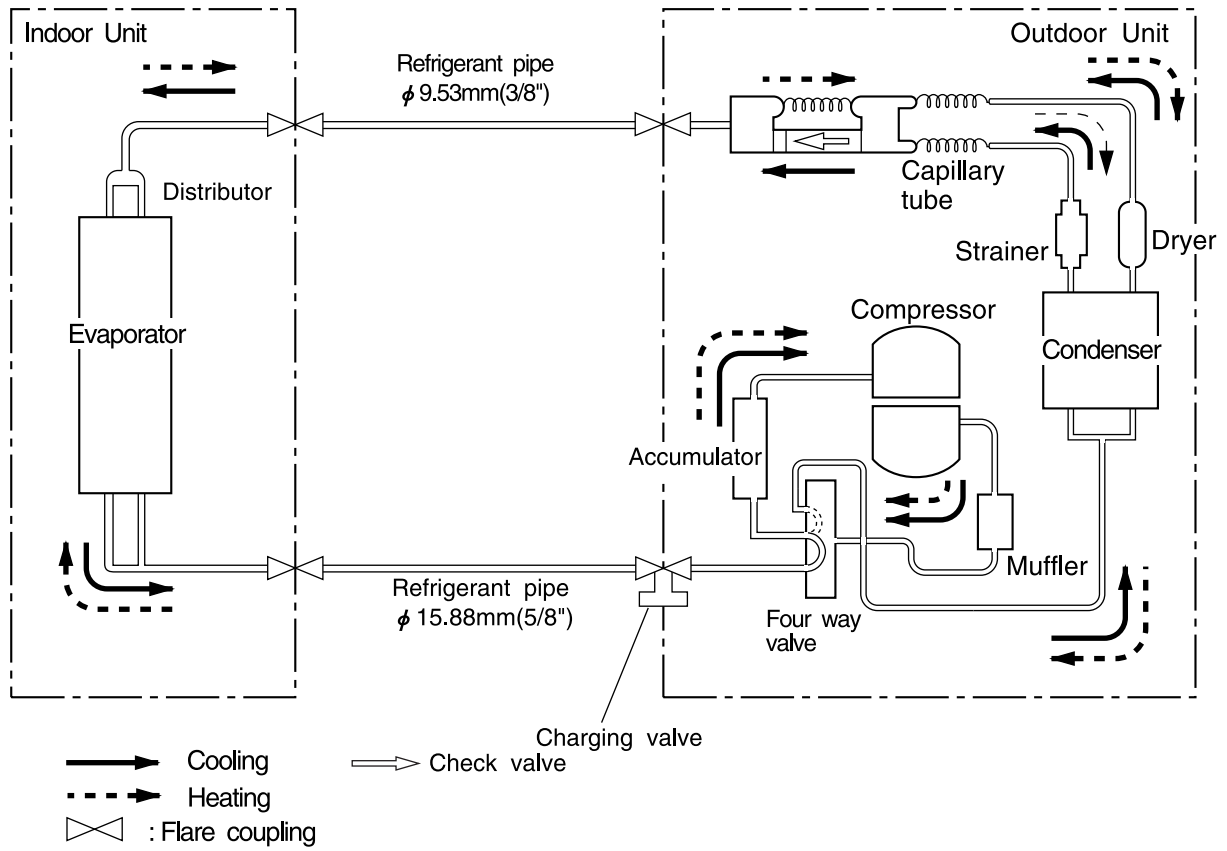
(Unit : mm)



OUTDOOR UNIT



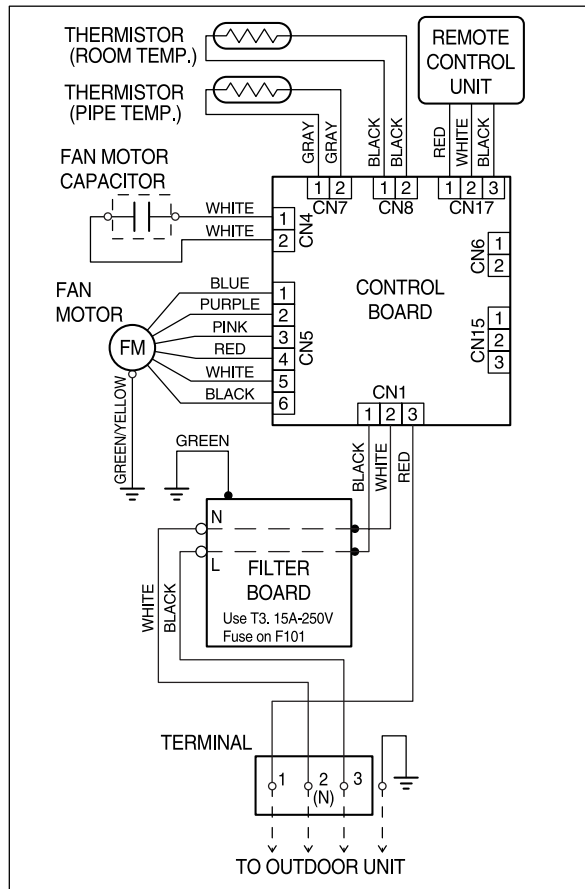
REFRIGERANT SYSTEM DIAGRAM



C I R C U I T D I A G R A M

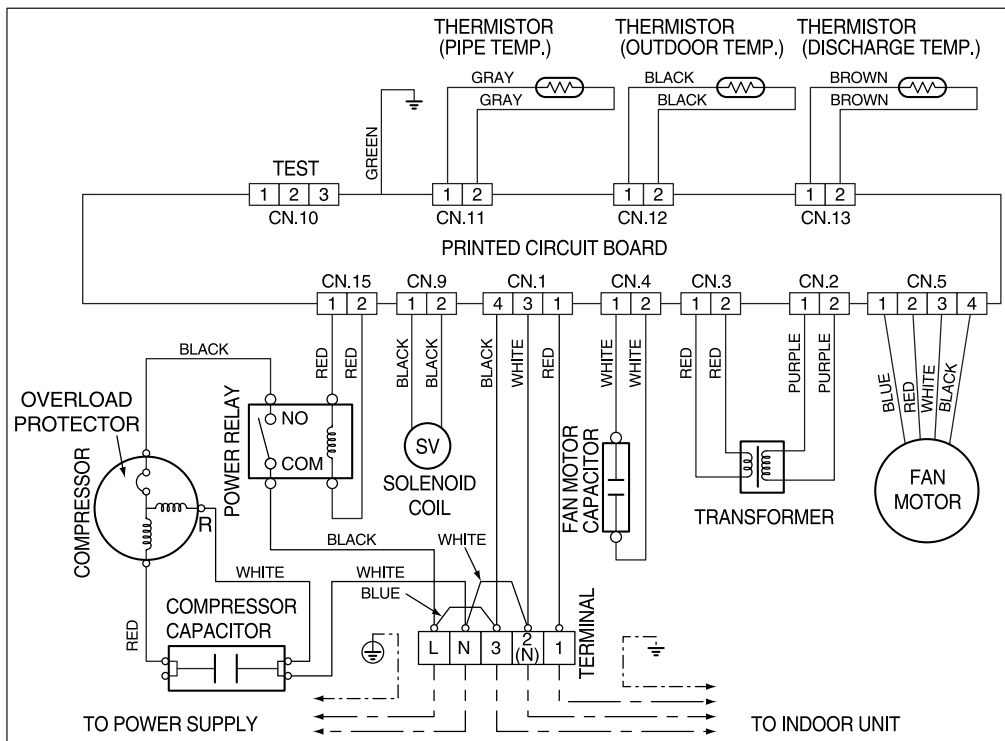
Models : ARG18RLB / AOG18RZDL
 ARG18RLBH

INDOOR UNIT



OUTDOOR UNIT

FAN MOTOR CAPACITOR	2.3 μ F
---------------------	-------------

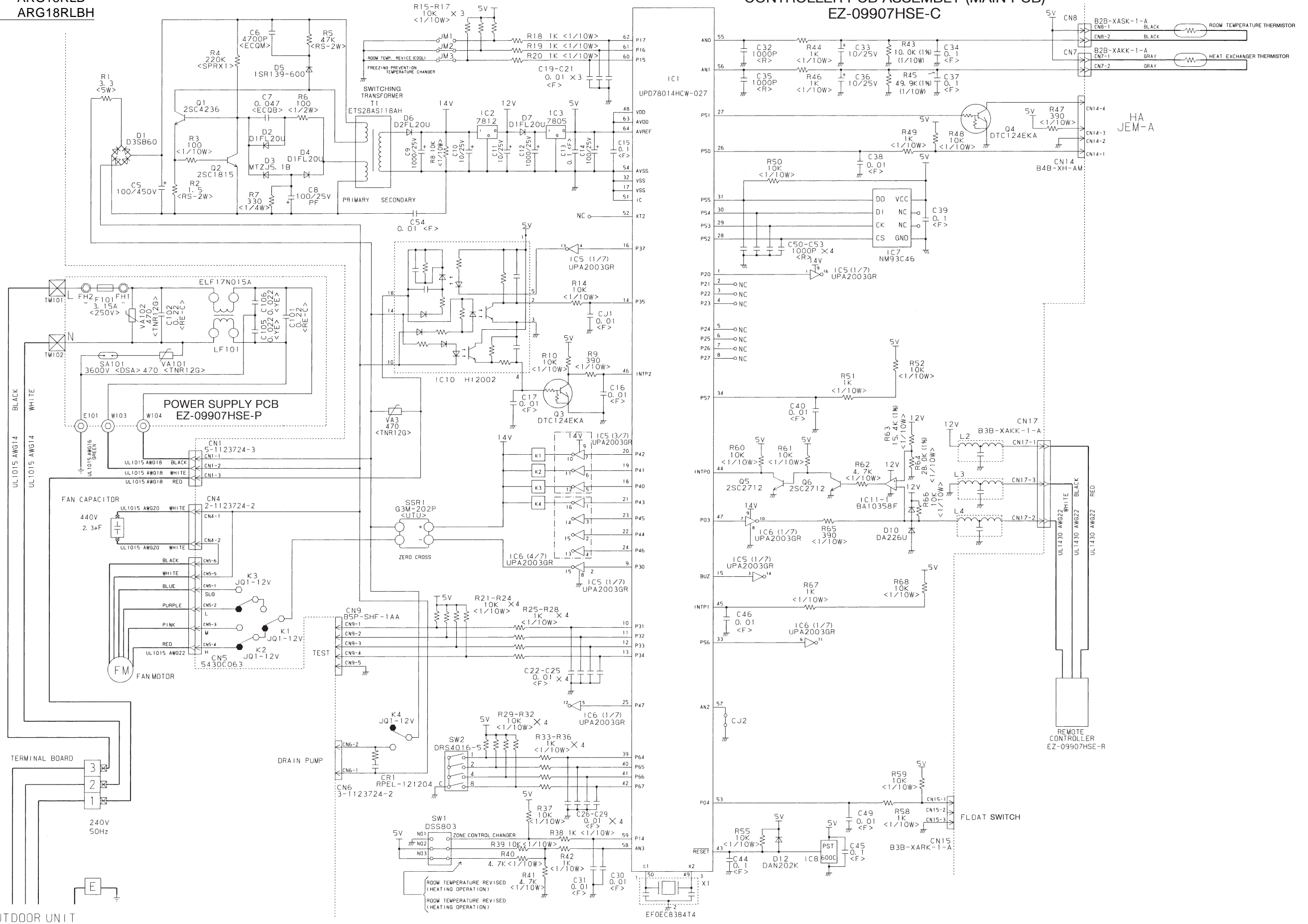


FAN MOTOR CAPACITOR	3.5 μ F
COMPRESSOR CAPACITOR	46 μ F

INDOOR PRINTED CIRCUIT BOARD CIRCUIT DIAGRAM

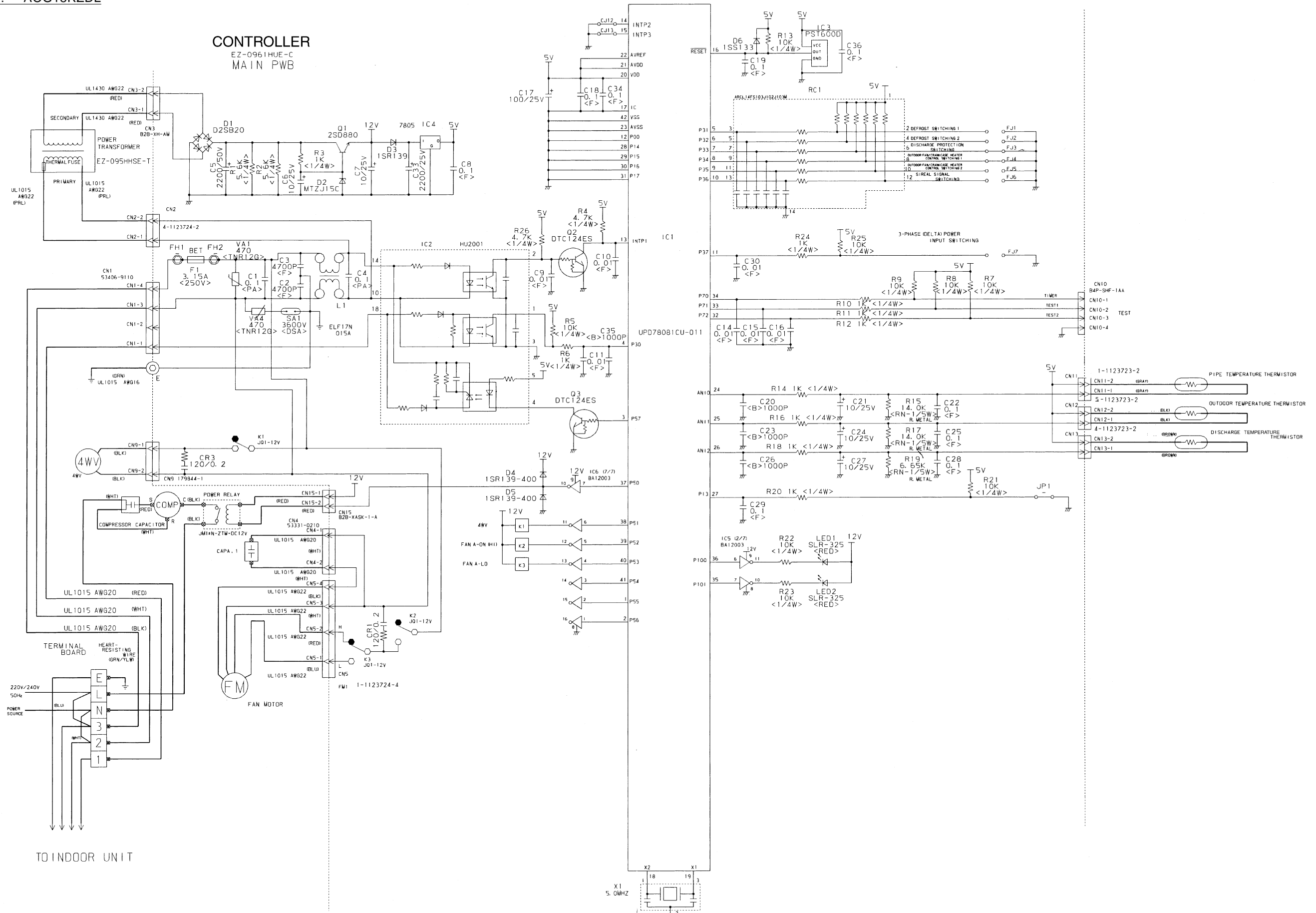
Models : ARG18RLB
ARG18RLBH

CONTROLLER PCB ASSEMBLY (MAIN PCB) EZ-09907HSE-C



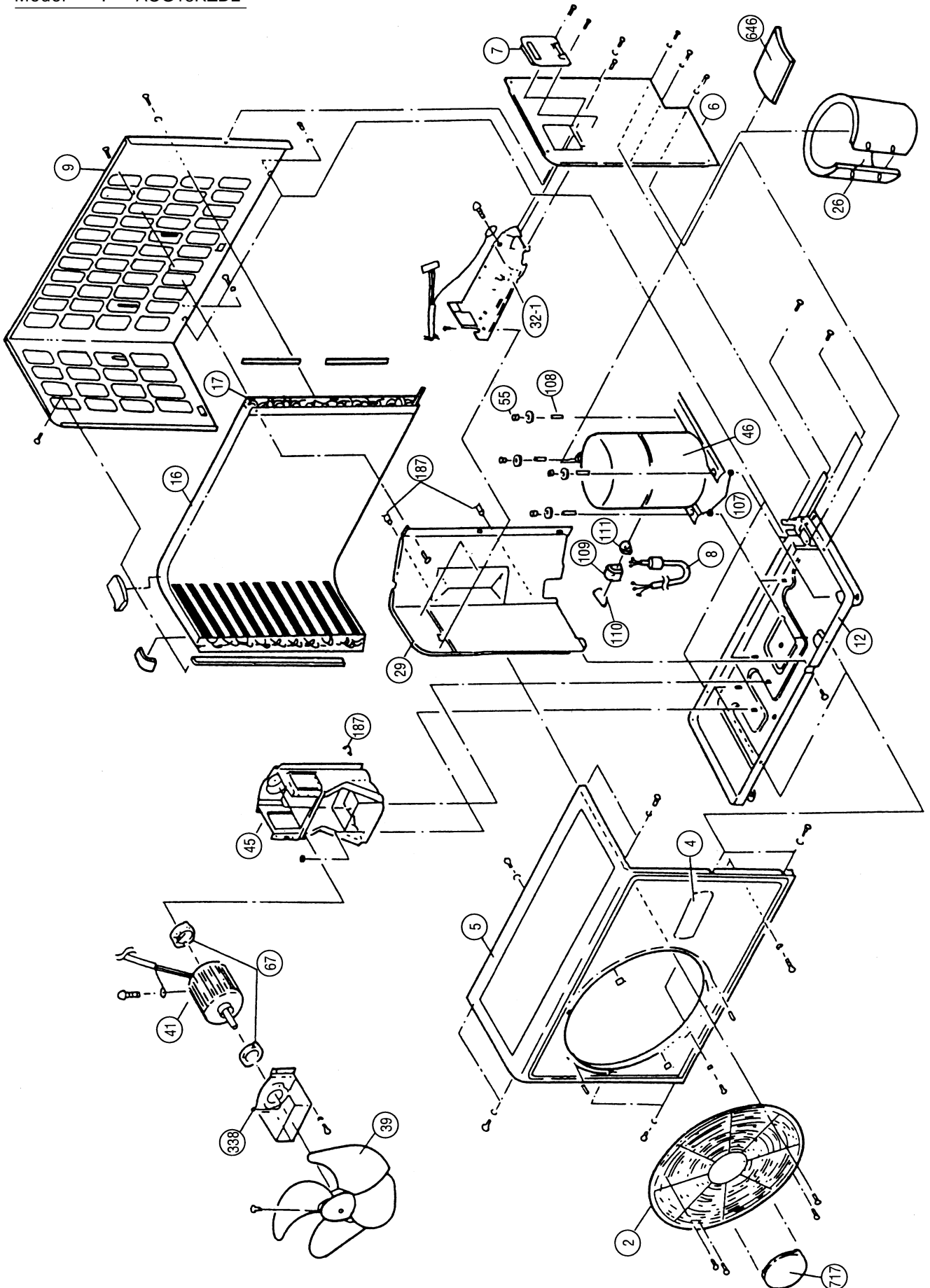
OUTDOOR PRINTED CIRCUIT BOARD CIRCUIT DIAGRAM

Model : AOG18RZDL

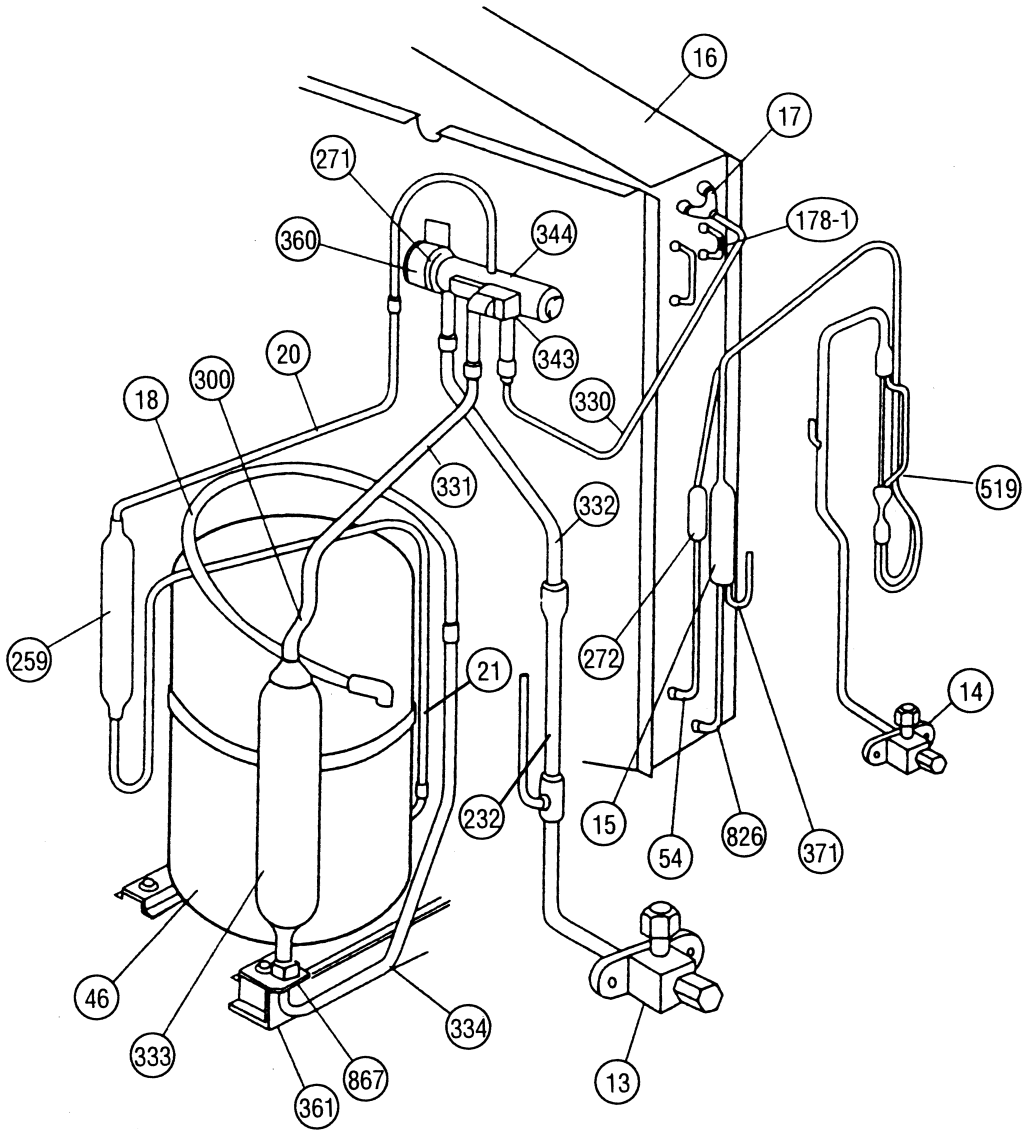


DISASSEMBLY ILLUSTRATION

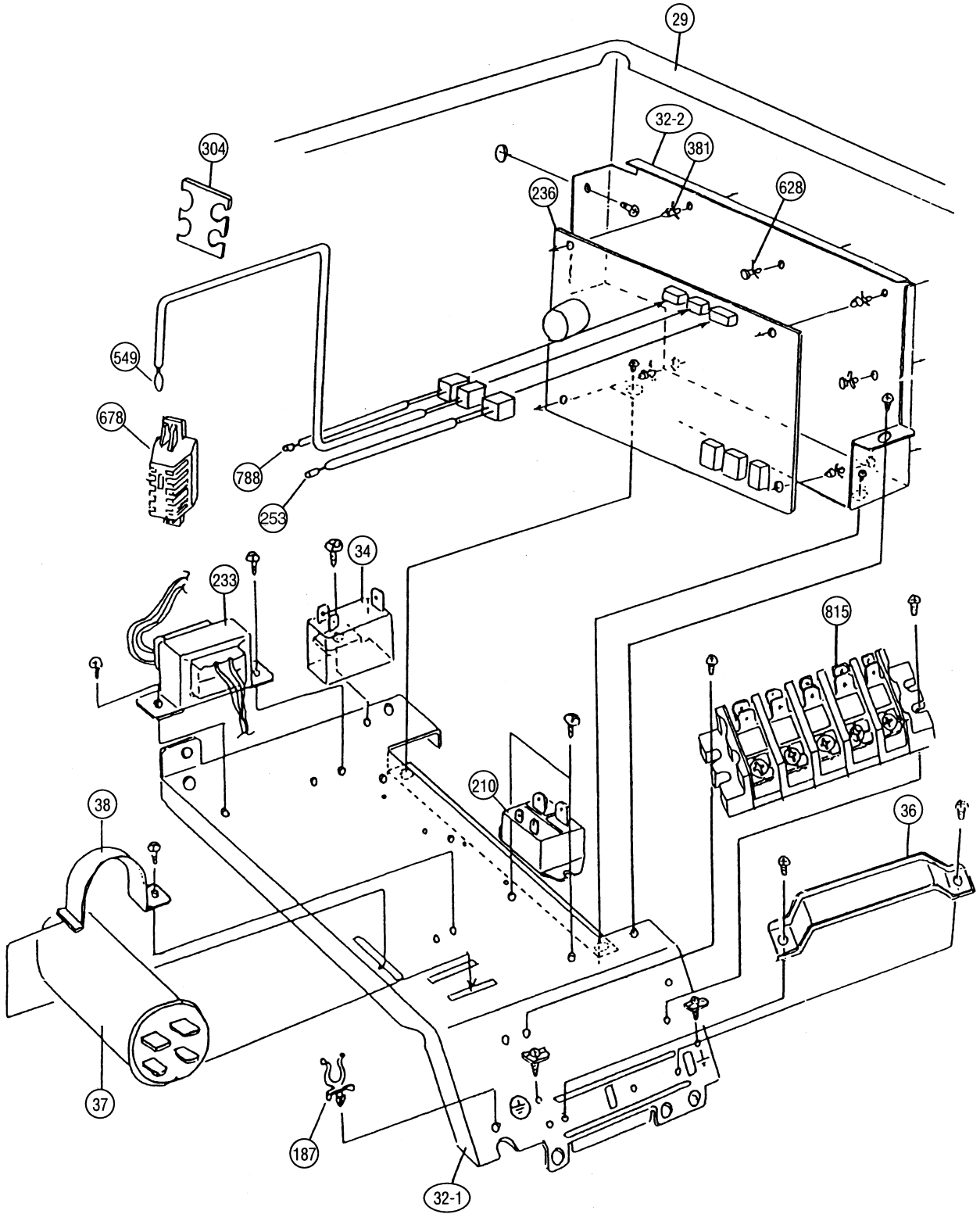
Model : AOG18RZDL



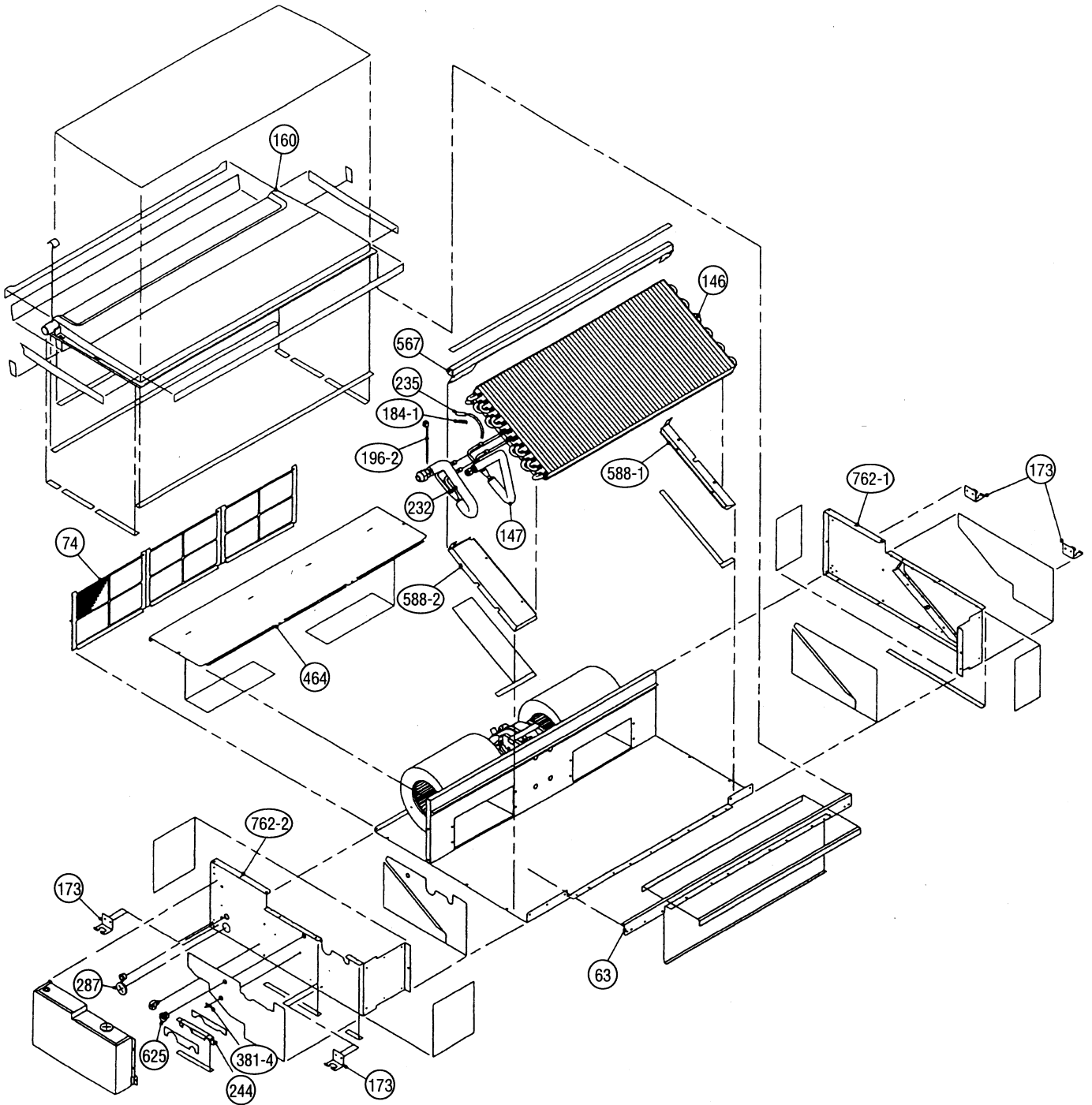
Model : AOG18RZDL



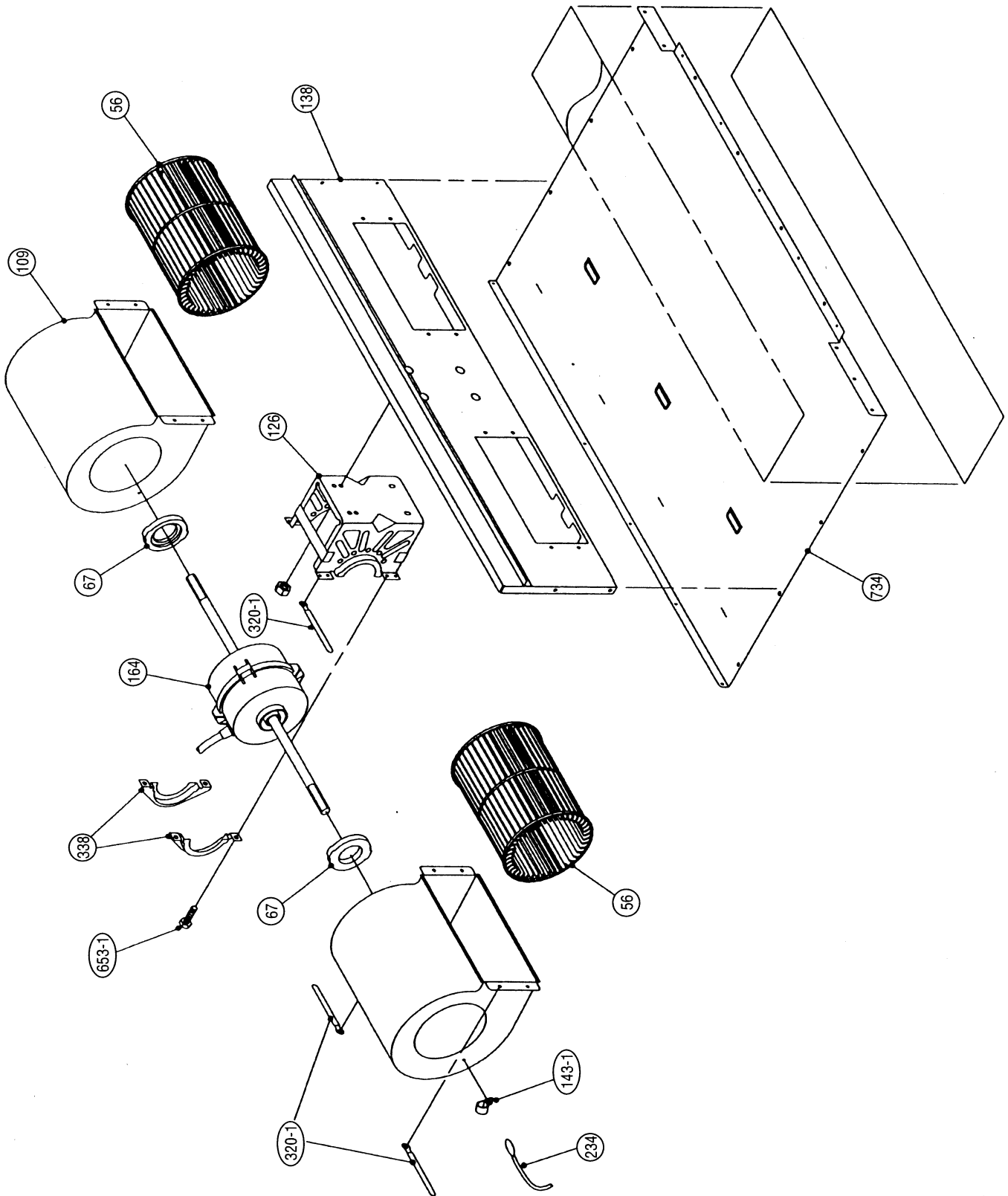
Model : AOG18RZDL



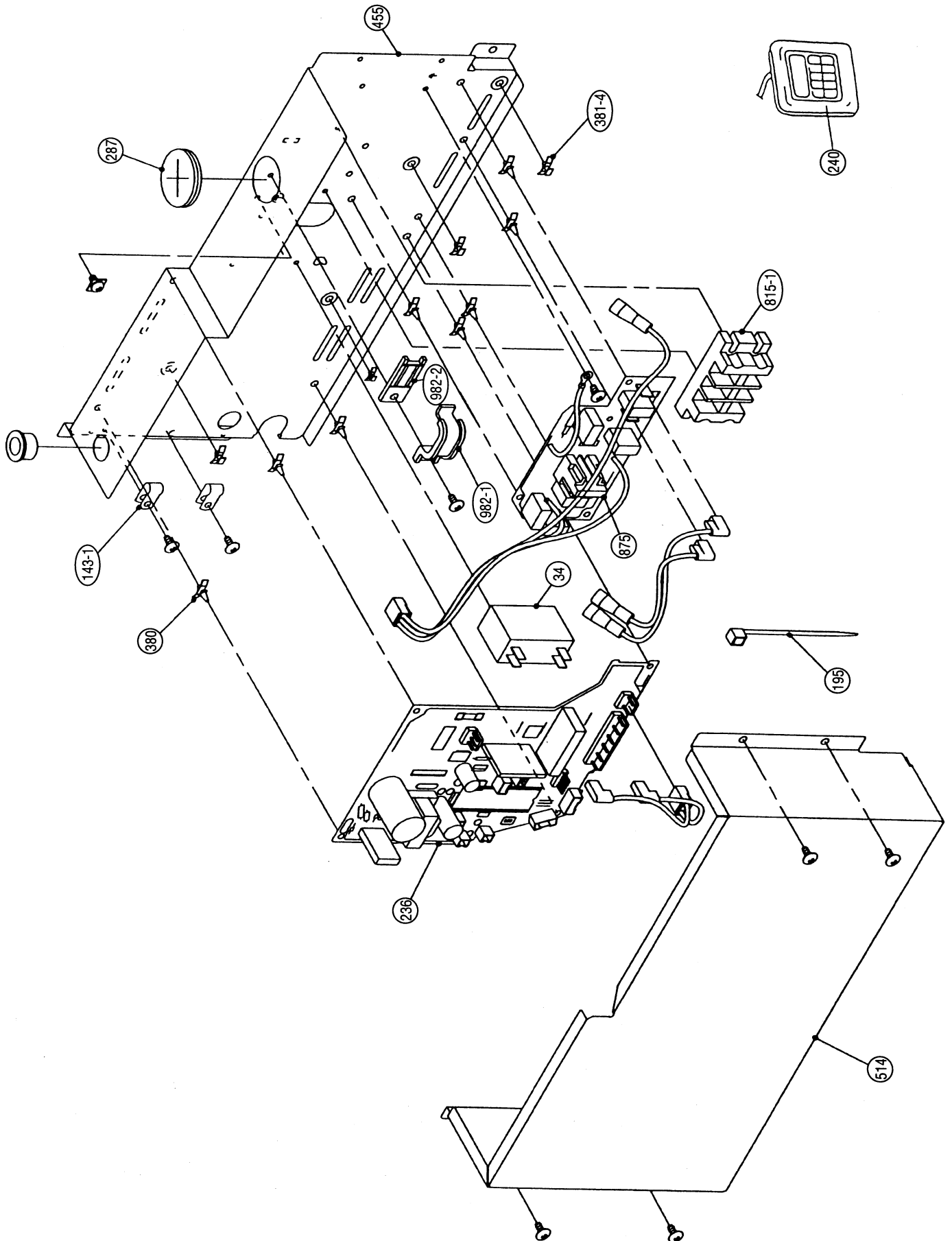
Model : ARG18RLB / ARG18RLBH



Model : ARG18RLB / ARG18RLBH



Model : ARG18RLB / ARG18RLBH



PARTS LIST

When you order parts, please make a photocopy of this page and fill the number of the parts in the "Order" column.

INDOOR UNIT

Ref. No.	Description	Part No.		Ord. Q'ty	Ref. No.	Description	Part No.		Ord. Q'ty
		ARG18RLB	ARG18RLBH				ARG18RLB	ARG18RLBH	
34	Capacitor(Fan Motor)	9357965017	9357965017		244	Cover(Piping)	9363327007	9363327007	
56	Sirocco Fan Assy	9358621004	9358621004		287	Cap(Power)	9352173011	9352173011	
63	Front Panel Assy	9363723007	9363723007		320-1	Wire Clamp Metal	31383219905	31383219905	
67	Rubber(Vibration-proof)	313659068604	313659068604		338	Motor Fixture	9358594001	9358594001	
74	Filter	9363326000	9363326000		380	Locking Spacer	313209391403	313209391403	
109	Casing Assy	9363322002	9363322002		381-4	Locking Spacer	0600118075	0600118075	
126	Motor Fixing Table Assy	9358591000	9358591000		455	Control Box	9363200003	9363200003	
138	Panel Assy(Motor)	9363401004	9363401004		464	Cover (Cabinet)	9363400007	9363400007	
143-1	Clamp NK-3N	313361274700	313361274700		514	Control Box Cover	9363201000	9363201000	
146	Evaporator Assy	9364456010	9364456010		567	Support Plate(Eva.)	9363404005	9363404005	
147	Inlet Pipe(Eva.)Assy	9363382006	9363382006		588-1	Bracket Eva.-R	9363199000	9363199000	
160	Drain Pan Assy	9363405002	9363405002		588-2	Bracket Eva.-L	9363198003	9363198003	
164	Fan Motor Assy	9600778050	9600778057		625	Cord Bushing	9359240006	9359240006	
173	Hook Metal	9363195002	9363195002		653-1	Bolt(Fan Motor Fixing)	0700156014	0700156014	
184-1	Thermo. Spring-A	313728262708	313728262708		734	Panel Top	9363504002	9363504002	
195	Clamp SKB-100	313361275805	313361275805		762-1	Side Panel-R Assy	9363507003	9363507003	
196-2	Clamp SKB-150	313035356905	313035356905		762-2	Side Panel-L Assy	9363505009	9363505009	
232	Outlet Pipe(Eva.)Assy	9363392005	9363392005		815-1	Terminal 3P	9356488005	9356488005	
234	Thermistor Assy-Room	9703299018	9703299018		875	Filter PCB Assy	9703583018	9703583018	
235	Thermistor Assy-Pipe	9703297052	9703297052		982-1	Cord Clamp	9356857009	9356857009	
236	Controller PCB Assy	9703582011	9703582011		982-2	Cord Clamp-B	9356858006	9356858006	
240	Remote Control Unit	9701673049	9701673049						

OUTDOOR UNIT

Ref. No.	Description	Part No.		Ord. Q'ty	Ref. No.	Description	Part No.		Ord. Q'ty
		AOG18RZDL					AOG18RZDL		
2	Fan Cover	9350214020			111	Terminal Packing(For Comp.)	313202059807		
4	Emblem-Rear	313791088308			178-1	Capillary Holder	313414274807		
5	Cabinet-A, Painted	9303876015			187	Clamp No.1219	313361271706		
6	Cabinet-C, Painted	9353549013			210	Main Relay	9356781007		
7	Condenser Cover	9358011010			232	Pipe Assy	9300990028		
8	Wire Assy(Shield)-D	9350215027			233	Power Transformer	9701549016		
9	Cabinet-B, Painted	9303874011			236	Controller PCB Assy	9701888016		
12	Base Assy, Painted	9353452016			253	Thermistor Assy-Pipe	9701330010		
13	3-Way Valve Assy	9357963013			259	Muffler	313755083903		
14	2-Way Valve Assy	9357964010			271	4-Way Valve Rubber	313728251908		
15	Dryer	9350380022			272	Strainer	9350379026		
16	Condenser Assy	9353455048			300	Suction Pipe-C	9350358014		
17	U-Pipe(Y)	313728127102			304	Thermostat Fixture-B	313349051500		
18	Suction Pipe	9351590017			330	Inlet Pipe(Cond.)Assy	313986023206		
20	Discharge Pipe	9358635001			331	Suction Pipe-D	9350359011		
21	Discharge Pipe-B	9358634004			332	Suction Pipe-E	9301296013		
26	Compressor Cover	9354036000			333	Accumulator	9350363018		
29	Separate Wall	9302475011			334	Suction Pipe-B	9351591014		
32-1	Control Box Metal-A	9357137001			338	Motor Fixture	313029297108		
32-2	Control Box Metal-B	9357138008			343	Solenoid Coil	9359616108		
34	Capacitor(Fan Motor)	9357965024			344	4-Way Valve	313943302804		
36	Cord Holder Metal	9356934007			360	4-Way Valve Band	313986251802		
37	Running Capacitor	9703107016			361	Accumulator Support	313986353804		
38	Capacitor Clamp	9351770013			371	Process Pipe-B	313142082352		
39	Propeller Fan Assy	9300855013			381	Locking Spacer	313209391506		
41	Fan Motor Assy-Out	9600738054			519	Check Valve Assy	9357341002		
45	Bracket(Motor)Assy	313029311100			549	Thermistor Assy-Out	9357328027		
46	Compressor Assy	9360509055			628	Locking Spacer-B	313005446558		
54	Condensing Pipe	313986123207			646	Compressor Cover-B	313986355101		
55	Special Nut M8(For Comp.)	313252257701			678	Bracket(Thermistor)	313557406106		
67	Rubber (Vibration-proof)	313659068604			717	Center Plate	9350216017		
107	Rubber Seat-A(For Comp.)	313093081402			788	Thermistor-Discharge	9358337011		
108	Sleeve-A(For Comp.)	313093081706			815	Terminal-5P	9356497021		
109	Terminal Cover(For Comp.)	313202059600			826	Condensing Pipe-B	9353580016		
110	Lock Wire	313202059706			867	Accumulator Holder Rubber	9354022027		

[INDOOR UNIT]
 CONTROLLER PCB ASSEMBLY(Ref.No.236)

When you order parts, please make a photocopy of this page and fill the number of the parts in the "Order" column.

Ref. No.	Description	Part No.	Ord. Qty	Ref. No.	Description	Part No.	Ord. Qty
IC1	IC μ PD78014HCW-027	9703514012		R45	Res. 49.9k Ω \pm 1%	0200279824	
IC2	IC NJM7812FA	0100462104		R63	Res. 15.4k Ω \pm 1%	0200279565	
IC3	IC NJM7805FA	0100462081		R64	Res. 28.0k Ω \pm 1%	0201114445	
IC5,6	IC μ PA2003GR	0100028041		JM9	Res. 0 Ω	0200230016	
IC7	IC BR93LC46RF-E2	0100295016		C5	Cap.Elec. 450V 100 μ F	0300256060	
IC8	IC PST600CMT	0101461120		C6	Cap.Plastic 4700pF	0300269091	
IC10	IC HI2002	9701384020		C7	Cap.Plastic 50V 0.047 μ F	0300169339	
IC11	IC BA10358F E2	0101846071		C8	Cap.Elec. 25V 100 μ F	0301197560	
Q1	Xstr 2SC4236	0000164047		C9	Cap.Elec. 25V 1000 μ F	0301196495	
Q2	Xstr 2SC1815	0000002011		C10,11,33,36	Cap.Elec. 25V 10 μ F	0301192312	
Q3,4	Xstr DTC124EKA	0000936033		12	Cap.Elec. 25V 1000 μ F	0301158264	
Q5,6	Xstr 2SC2712	0000781053		C13,15,34,37	Cap.Ceramic 50V 0.1 μ F	0300311752	
D1	Diode D3SB60	0000689045		39,44,45			
D2,4,7	Diode D1FL20U	0000746519		C14	Cap.Elec. 25V 100 μ F	0301192350	
D3	Diode MTZJ5.1B	0000852166		C16,17,19-31,	Cap.Ceramic 50V 0.01 μ F	0300311738	
D5	Diode 1SR139-600	0000353120		38,40,46,49			
D6	Diode D2FL20U	0000906500		CJ1			
D10	Diode DA226U	0000625036		C32,35,50-53	Cap. Ceramic 50V 1000pF	0300308509	
D12	Diode DAN202K	0000684019		C54	Cap.Ceramic 250V 0.01 μ F	0300209127	
R1	Res.Cement 5W 3.3 Ω \pm 10%	0200153148		K1,2,3,4	Relay JQ1-12V	9701316014	
R2	Res.Metal2W 1.5 Ω \pm 5%	0201107119		CR1	Network RPEL-121204-C	9701125012	
R3	Res. 100 Ω \pm 5%	0200212500		SW1	Switch,Slide DSS803	9701392018	
R4	Res.Carbon 220k Ω \pm 5%	0200111353		SW2	Switch,Slide DRS4016-5	9701694013	
R5	Res.Metal 2W 47 Ω \pm 5%	0201107652		T1	Switching Transformer ETS28AS118AH	9702727017	
R6	Res. 100 Ω \pm 5%	0200731506		SSR1	Relay G3M-202P-UTU	9701829019	
R7	Res. 330 Ω \pm 5%	0200708621		X1	Ceramic Resonator EF0EC8384T4	9701261017	
R8,10,14-17,	Res. 10k Ω \pm 5%	0200213019		L2-4	EMI Filter EXCEMT103DT	0400406396	
21-24,29-32,				CJ2	Res. 0 Ω	0200212012	
37,39,48,50,				CN1	Plug,PCB 5-1123724-3	0501321635	
52,55,59,60,				CN4	Plug,PCB 2-1123724-2	0501321529	
61,66,68				CN5	Plug,PCB 5430C063	0500957026	
R9,47,65	Res. 390 Ω \pm 5%	0200212647		CN6	Plug,PCB 3-1123724-2	0501321536	
R18-20,25-28,	Res. 1k Ω \pm 5%	0200212746		CN7	Plug,PCB B2B-XAKK-1-A	0501045227	
33-36,38,42				CN8	Plug,PCB B2B-XASK-1-A	0501045012	
44,46,49,51,				CN9	Plug,PCB B5P-SHF-1AA	0500006069	
58,67,				CN14	Plug,PCB B4B-XH-AM	0500005314	
R40,41,62	Res. 4.7 Ω \pm 5%	0200212906		CN15	Plug,PCB B3B-XARK-1-A	0501045319	
R43	Res. 10k Ω \pm 1%	0200279497		CN17	Plug,PCB B3B-XAKK-1-A	0501045357	

FILTER PCB ASSEMBLY(Ref.No.875)

Ref. No.	Description	Part No.	Ord. Qty	Ref. No.	Description	Part No.	Ord. Qty
C101,102	Cap.Plastic 0.22 μ F	9702313012		FH1,2	Fuse Holder PFC5000-0502	0500158072	
C105,106	Cap.Plastic 0.022 μ F	9702310059		VA101,102,	Varistor TNR12G471K	0000038010	
TM101,102	Plug,Contact 86028	0500536016		SA101	Arrester DSA-362MA-05	0600168032	
LF101	EMI Filter ELF17N015A	0400197119		E101	Wire w/Terminal GRN L=100	9702313012	
F101	Fuse 2183.15	0600285210		W103,104	Wire w/Terminal	9702310059	












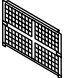

[OUTDOOR UNIT]
 CONTROLLER PCB ASSEMBLY(Ref.No.236)

When you order parts, please make a photocopy of this page
 and fill the number of the parts in the "Order" column.





Ref. No.	Description	Part No.	Ord. Q'ty	Ref. No.	Description	Part No.	Ord. Q'ty
IC1	IC μ PD78081CU-011	9701721016		C17	Cap,Elec. 25V 100 μ F	0300051375	
IC2	IC HU2001	9701651016		C20,23,26,35	Cap.Ceramic 1000pF	0300011096	
IC3	IC PST600D	0101461113		C30			
IC4	IC NJM7805FA	0100462081		C33	Cap,Elec. 25V2200 μ F	0300915417	
IC5,6	IC BA12003 ROHM	0101650012		F1	Fuse 2183,15	0600285210	
Q1	Xstr 2SD880	0000001014		RC1	CR Module ARCL14FS103J102J103M	0200301020	
Q2,3	Xstr DTC124ES	0000517010		CR1,3	RC Absorber RPEL-121204-C	9701125012	
D1	Diode D2SB20	0000599023		SA1	Arrester DSA-362MA-05	0600168032	
D2	Diode MTZJ15C	0000852203		K1-3	Relay JQ1-12V	9701316014	
D3-5	Diode 1SR139-400	0000353137		L1	EMI Filter SU16VF-15030	0400134114	
D6	Diode 1SS133	0000572019		VA1,4	Varistor TNR12G471K	0000038010	
R1,2	Res.Carbon 1/4W5.6k Ω \pm 5%	0200994192		HT1	Heat Sink PUG 26-25	9701428014	
R3,6,10-12,14 16,18,20,24	Res.Carbon 1/4W 1k Ω \pm 5%	0200994017		FH1,2	Fuse Holder PFC5000-0502	0500158072	
R4,26	Res.Carbon 1/4W4.7k Ω \pm 5%	0200994178		X1	Ceramic Resonator EF0EC5004T4Z	9701261024	
R5,7-9,13 21-23,25	Res.Carbon 1/4W 10k Ω \pm 5%	0200994253		LED1,2	Diode SLR-325VC RED	0000813259	
R15,17	Res.Metal 1/5W 14k Ω	0201028612		CN1	Plug,PCB 53406-9110	0500951086	
R19	Res.Metal 1/5W 6.65k Ω	0201028766		CN2	Plug,PCB B2P3-VH-B-R	0500011766	
C1,4	Cap,Plastic 250V 0.1 μ F	0300894835		CN3	Plug,PCB B2B-XH-AM	0500005321	
C2-3	Cap.Ceramic 4700pF	0300727546		CN4	Plug,PCB 53331-0210	0501033019	
C5	Cap,Elec. 50V 2200 μ F	0301206026		CN5	Plug,PCB B4P7-VH-B	0500011742	
C6,7,21,24, 27,	Cap,Elec. 25V 10 μ F	0300004258		CN9	Plug,PCB 179844-1	0501121013	
C8,18,19,22 25,28,29,34 C36	Cap.Ceramic 0.1 μ F	0300988251		CN10	Plug,PCB B4P-SHF-1AA	0500006038	
C9-11,14-16	Cap.Ceramic 50V 0.01 μ F	0300013113		CN11	Plug,PCB B2P-VH-B	0500011124	
				CN12	Plug,PCB B2P-VH-B-C	0500011568	
				CN13	Plug,PCB B2P-VH-B-R	0500011148	
				CN15	Plug,PCB B2B-XASK-1-A	0501045012	
				E	Wire w/Terminal GRN L=210	9701325016	

STANDARD ACCESSORIES

INDOOR UNIT ACCESSORIES

Name and Shape	Q' ty	Application	ARG18RLB,ARG18RLBH
Installation template 	1	For positioning the indoor unit	9364225005
Hook Metal 	4	For suspending the indoor unit from ceiling	9363195002
Tapping screw (small) (ϕ 3 x 12) 	8		301171164104
Special nut A (large filange) 	4	For suspending the indoor unit from ceiling	313005446653
Special nut B (small filange) 	4		313005446759
Coupler heat insulator (large) 	1	For indoor side pipe joint (large pipe)	9350716029
Coupler heat insulator (small) 	1	For indoor side pipe joint (small pipe)	9352766015
Binder 	(Small) 1	For remote controller and remote controller cord binding	313361275805
	(Large) 4	For fixing the coupler heat insulation	312300787605
Remote control unit 	1		9701673049
Remote control unit cord clamp 	10	For installing the remote control unit cord	313714181904
Tapping screw (flush heads) 	10	For installing the remote control unit cord clamp	301141153027
Filter 	3		9363326000
Drain hose insulation 	1	Insulates the drain hose and vinyl hose connection	313806217708

OUTDOOR UNIT ACCESSORIES

Name and Shape	Q' ty	Application	AOG18RZDL
Hexagon wrench 	1	For vacuum	9351228019
Pipe (drain) 	1	For outdoor unit drain piping work (May not be supplied, depending on the model)	313728031005
Flexible tube 	1		313013042915
Cap (drain) 	2		313166024302

