



SPLIT TYPE  
ROOM AIR CONDITIONER  
WALL MOUNTED TYPE

# SERVICE MANUAL



Indoor unit	Outdoor unit
ASHA14LGC	AOHR14LGC

## CONTENTS

SPECIFICATIONS.....	1
DIMENSIONS.....	2
REFRIGERANT SYSTEM DIAGRAM....	3
CIRCUIT DIAGRAM.....	4
INDOOR PCB CIRCUIT DIAGRAM.....	5
OUTDOOR PCB CIRCUIT DIAGRAM ...	8
ERROR CONTENTS.....	10
PARTS (Indoor unit).....	11
PARTS (Outdoor unit).....	15
ACCESSORIES.....	18

# SPECIFICATIONS

## ELECTRICAL DATA

TYPE		Cool & heat inverter
INDOOR UNIT		ASHA14LGC
OUTDOOR UNIT		AOHR14LGC
COOLING CAPACITY		4.00 kW
HEATING CAPACITY		5.00 kW
POWER SOURCE		230 V
FREQUENCY		50 Hz
RUNNING CURRENT	Cooling	4.9 A
	Heating	5.7 A
INPUT WATTS	Cooling	1.080 kW
	Heating	1.295 kW
E.E.R.	Cooling	3.70 kW/kW
COP	Heating	3.86 kW/kW
MOISTURE REMOVAL		2.1 L/h
AIR CIRCULATION HIGH	Cooling	800 m <sup>3</sup> /h
	Heating	800 m <sup>3</sup> /h
MAXIMUM CURRENT	Cooling	9.0 A
	Heating	10.5 A

## DIMENSIONS

INDOOR UNIT	H x W x D	260 x 790 x 198 mm
OUTDOOR UNIT	H x W x D	620 x 790 x 298 mm

## WEIGHT

INDOOR UNIT	Gross / Net	10 kg / 7.5 kg
OUTDOOR UNIT	Gross / Net	44 kg / 40 kg

## COMPRESSOR AND REFRIGERANT

COMPRESSOR TYPE	Hermetic type, 4 pole, 3 phase, DC inverter motor, Rotary	
DISCRIMINATION	DA89X1C-20FZ	
WEIGHT (with oil)	9.0 kg	
STANDARD REFRIGERANT	1,000 g	
REFRIGERANT TYPE	R410A	
FULL CHARGE	Pipe Length 15 m	1,000 g
	20 m	1,100 g
ADDITIONAL REFRIGERANT	20 g/m	
MAXIMUM PIPING HEIGHT	15m	

## FAN MOTOR

POWER SOURCE		230 V
INDOOR UNIT Cooling	High speed	1,500 r.p.m.
	Middle speed	1,300 r.p.m.
	Low speed	1,020 r.p.m.
	Quiet	760 r.p.m.
INDOOR UNIT Heating	High speed	1,500 r.p.m.
	Middle speed	1,300 r.p.m.
	Low speed	1,080 r.p.m.
	Quiet	840 r.p.m.
OUTDOOR UNIT Cooling	870 r.p.m.	
OUTDOOR UNIT Heating	780 r.p.m.	

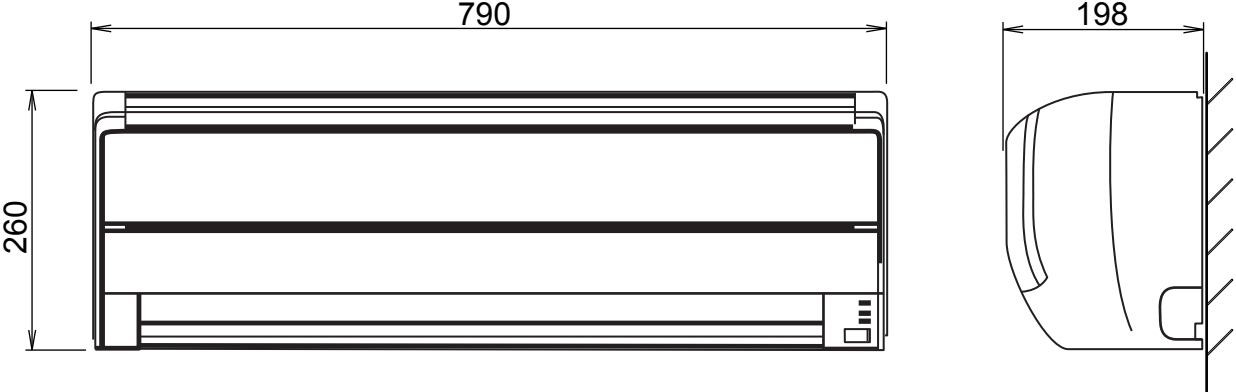
## NOISE LEVEL

INDOOR UNIT Cooling	High speed	44 dB
	Middle speed	40 dB
	Low speed	33 dB
	Quiet	25 dB
INDOOR UNIT Heating	High speed	44 dB
	Middle speed	40 dB
	Low speed	34 dB
	Quiet	27 dB
OUTDOOR UNIT Cooling	48 dB	
OUTDOOR UNIT Heating	49 dB	

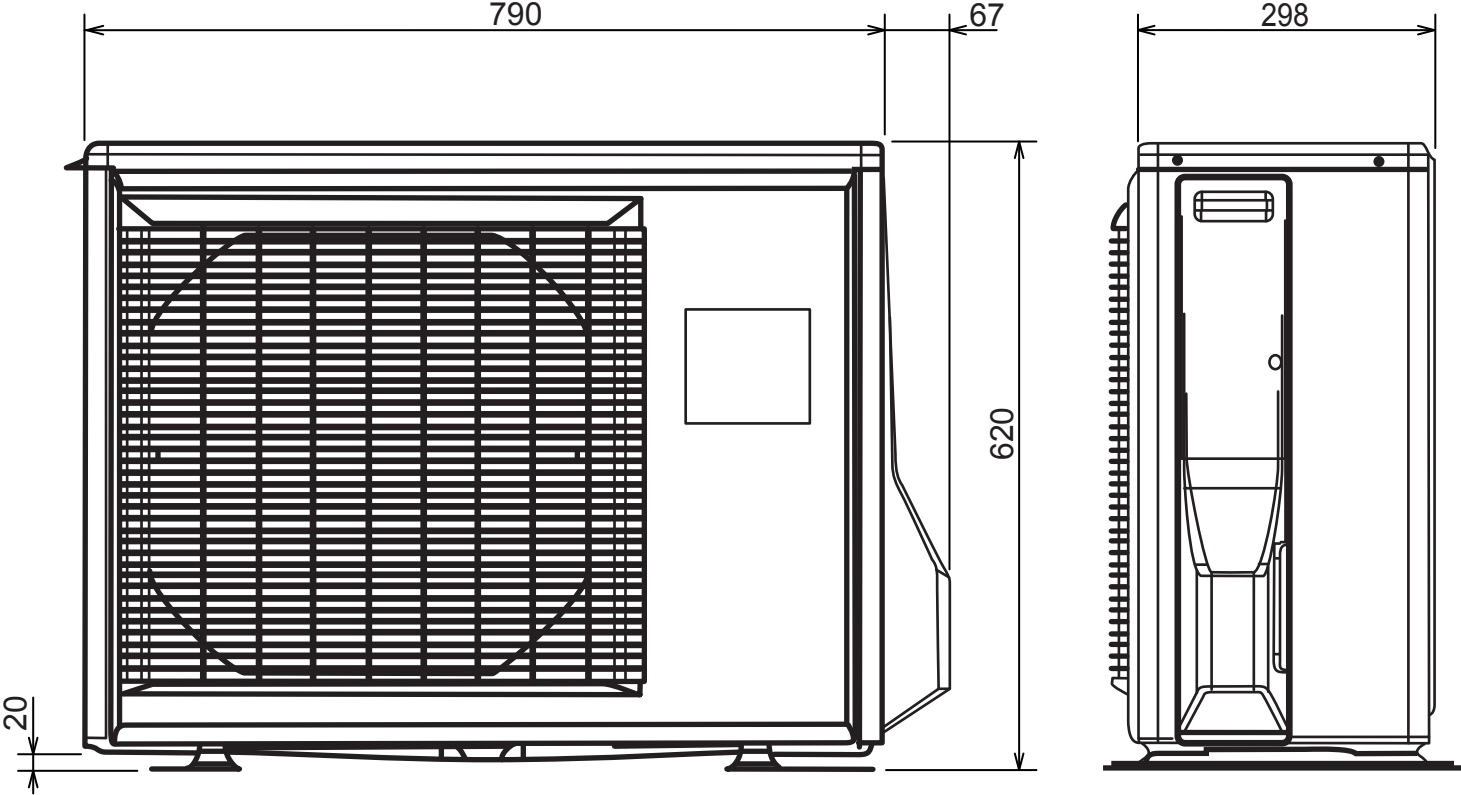
# OUTLINE AND DIMENSIONS

Unit : mm

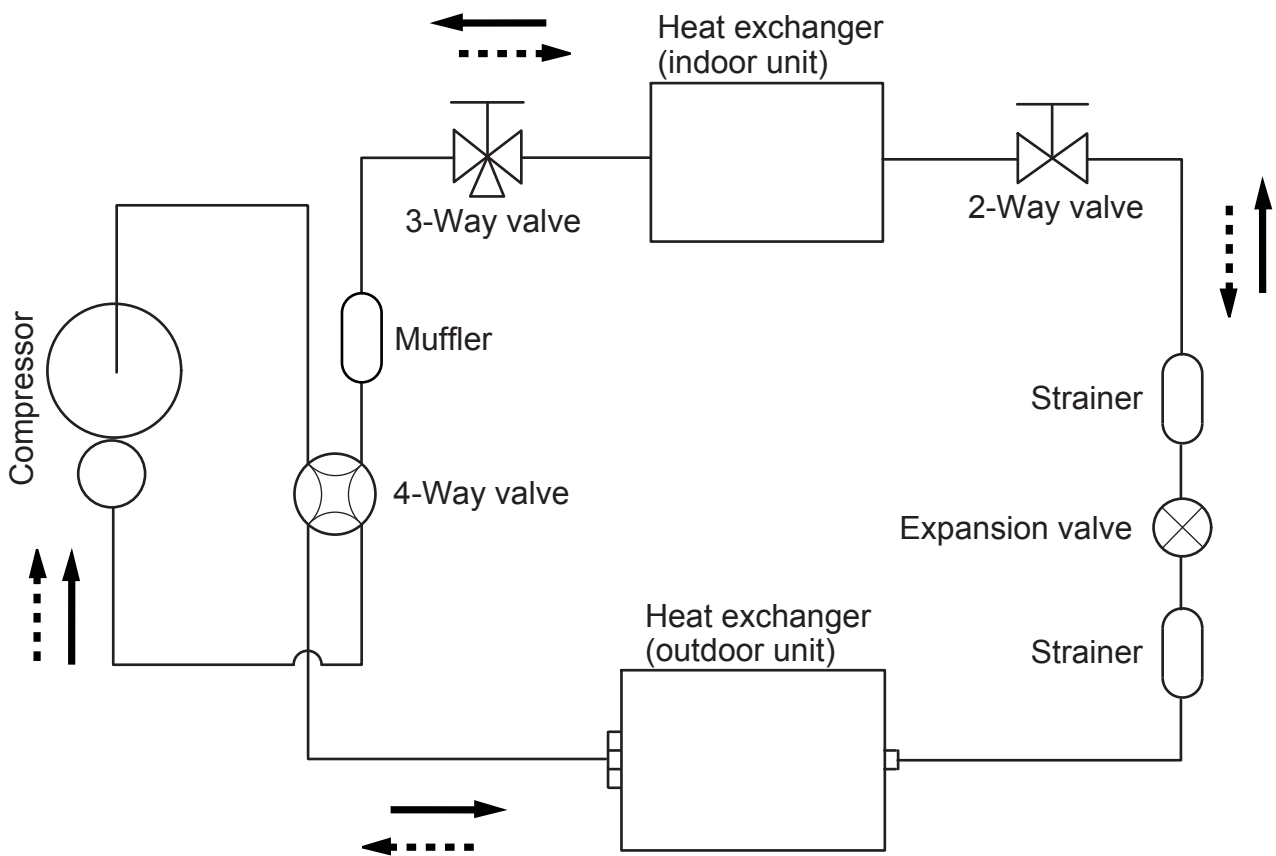
## INDOOR UNIT



## OUTDOOR UNIT



## REFRIGERANT SYSTEM DIAGRAM



Refrigerant direction

—————▶ Cooling

-----▶ Heating

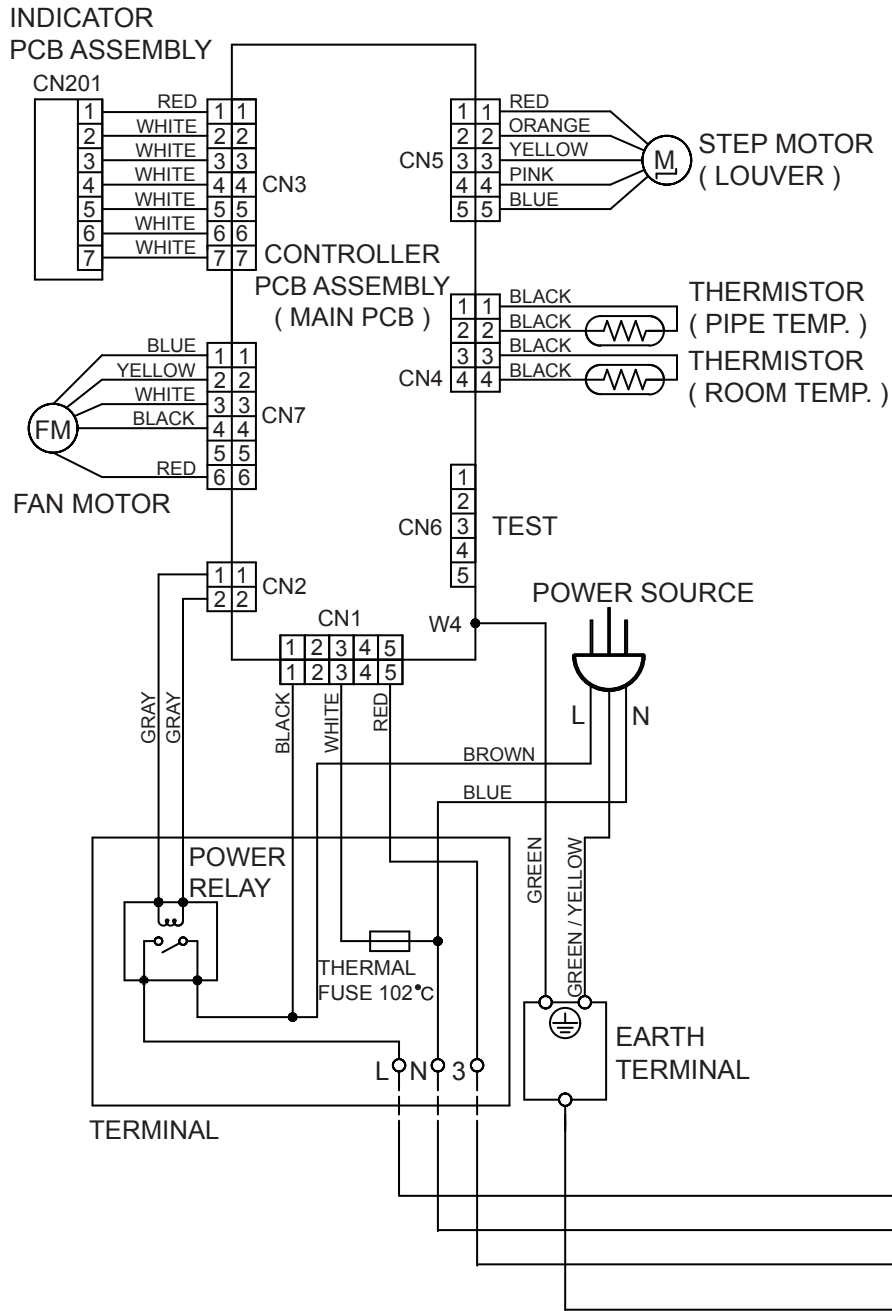
Refrigerant pipe diameter

Liquid : 1/4" (6.35 mm)

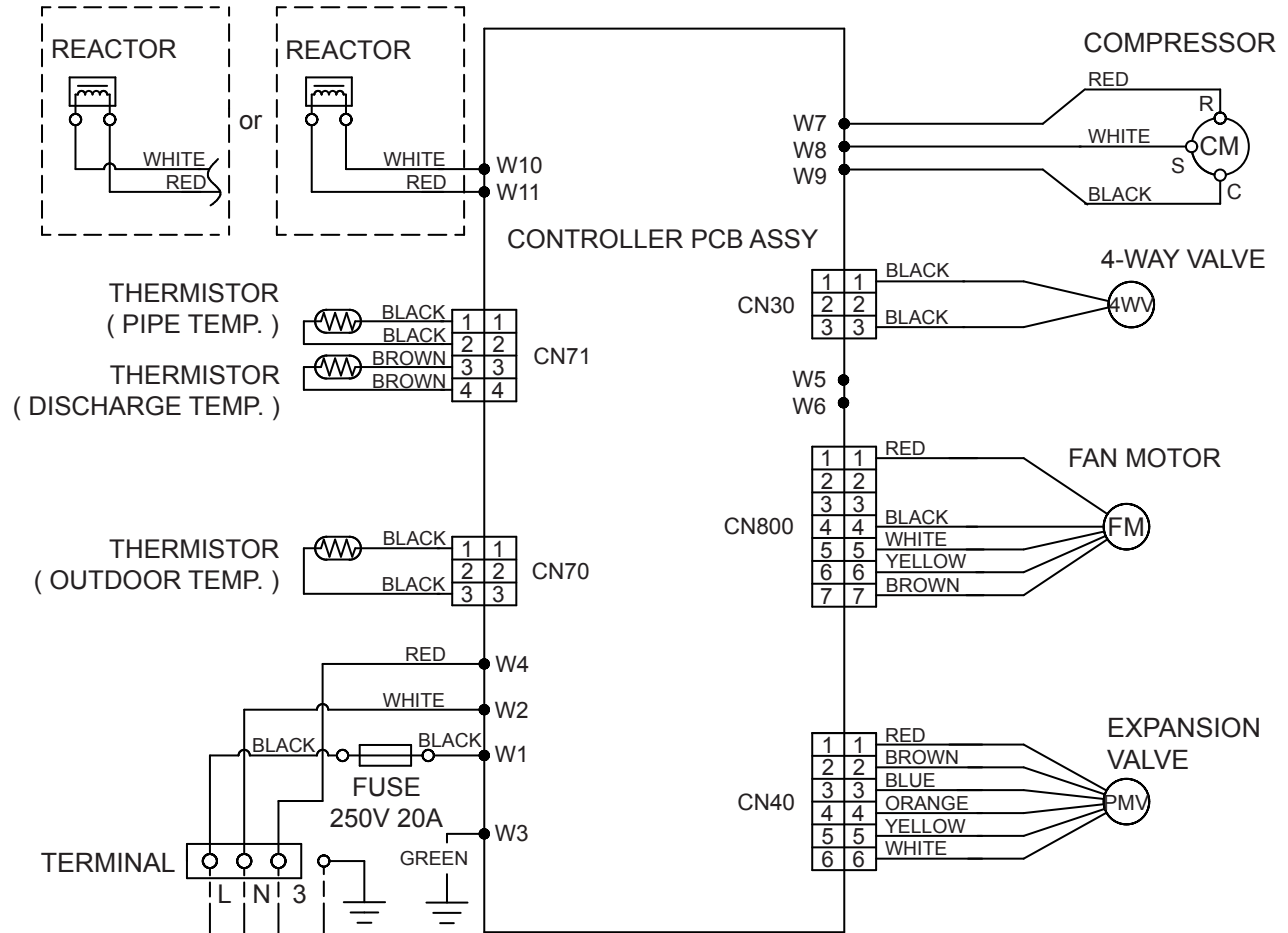
Gas : 1/2" (12.7 mm)

# CIRCUIT DIAGRAM

## INDOOR UNIT

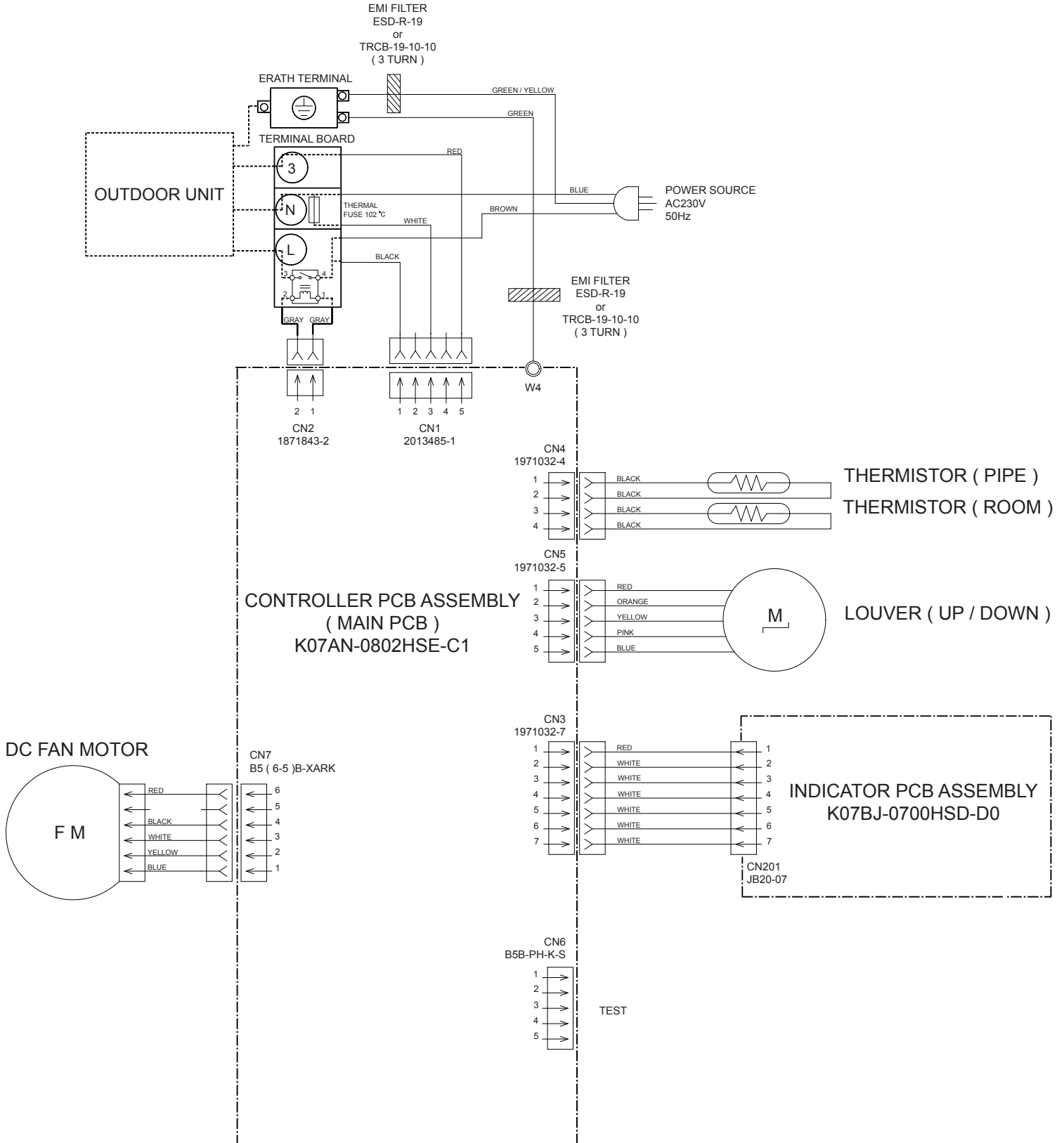


## OUTDOOR UNIT

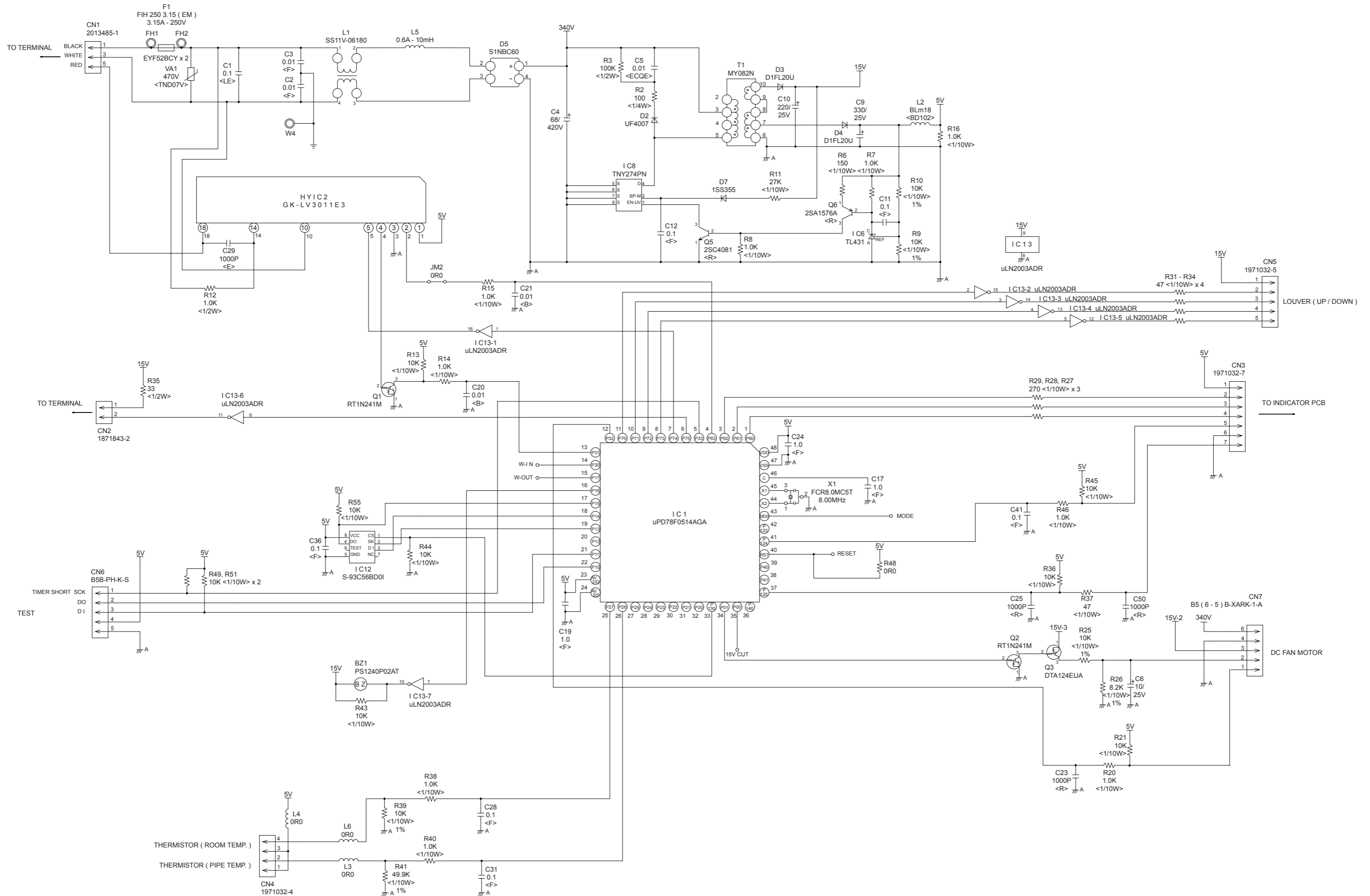


# INDOOR PCB CIRCUIT DIAGRAM

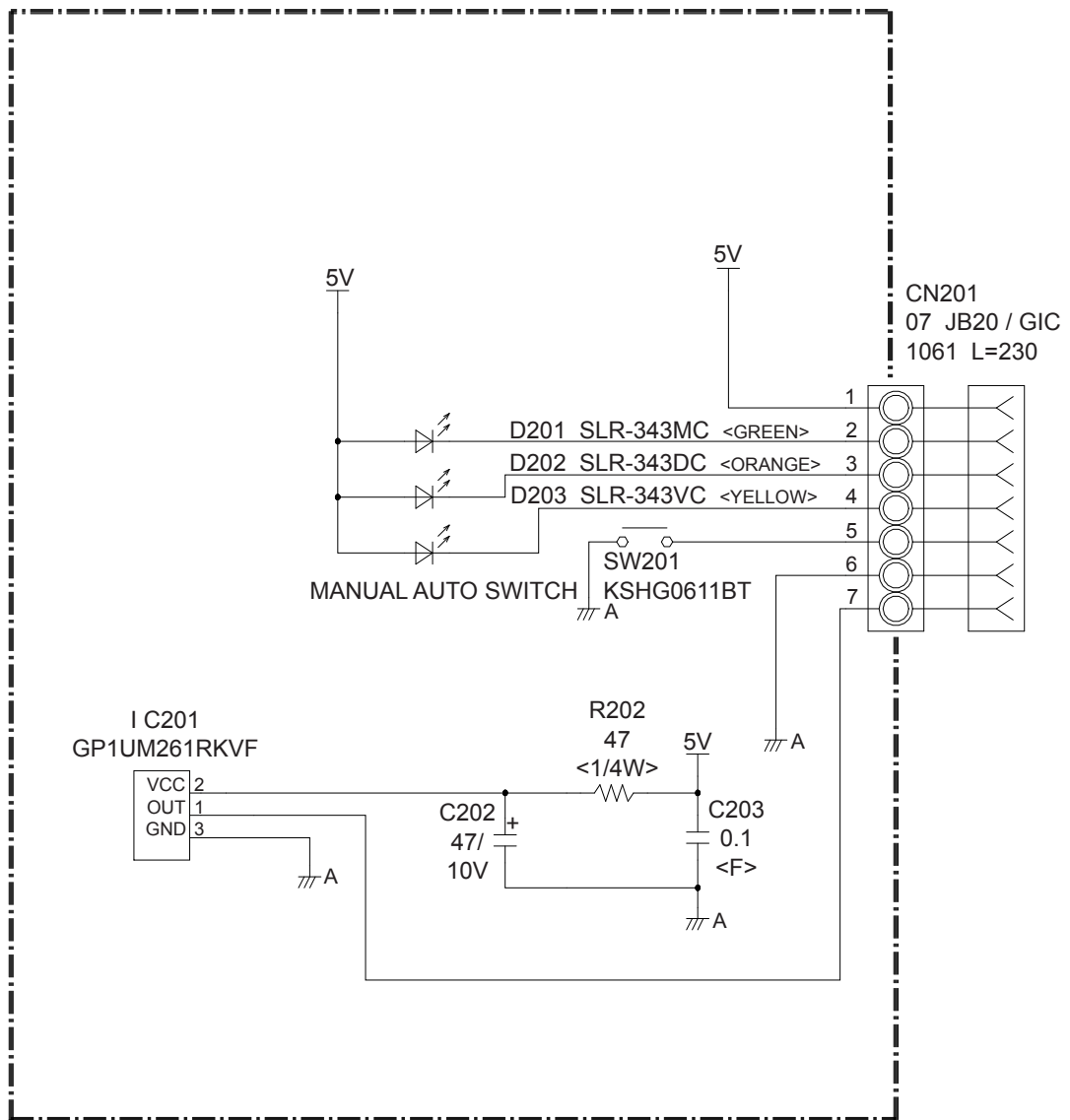
CONTROL UNIT  
EZ-0080HSE



INDOOR UNIT  
 CONTROLLER PCB ASSEMBLY ( MAIN PCB )  
 K07AN-0802HSE-C1



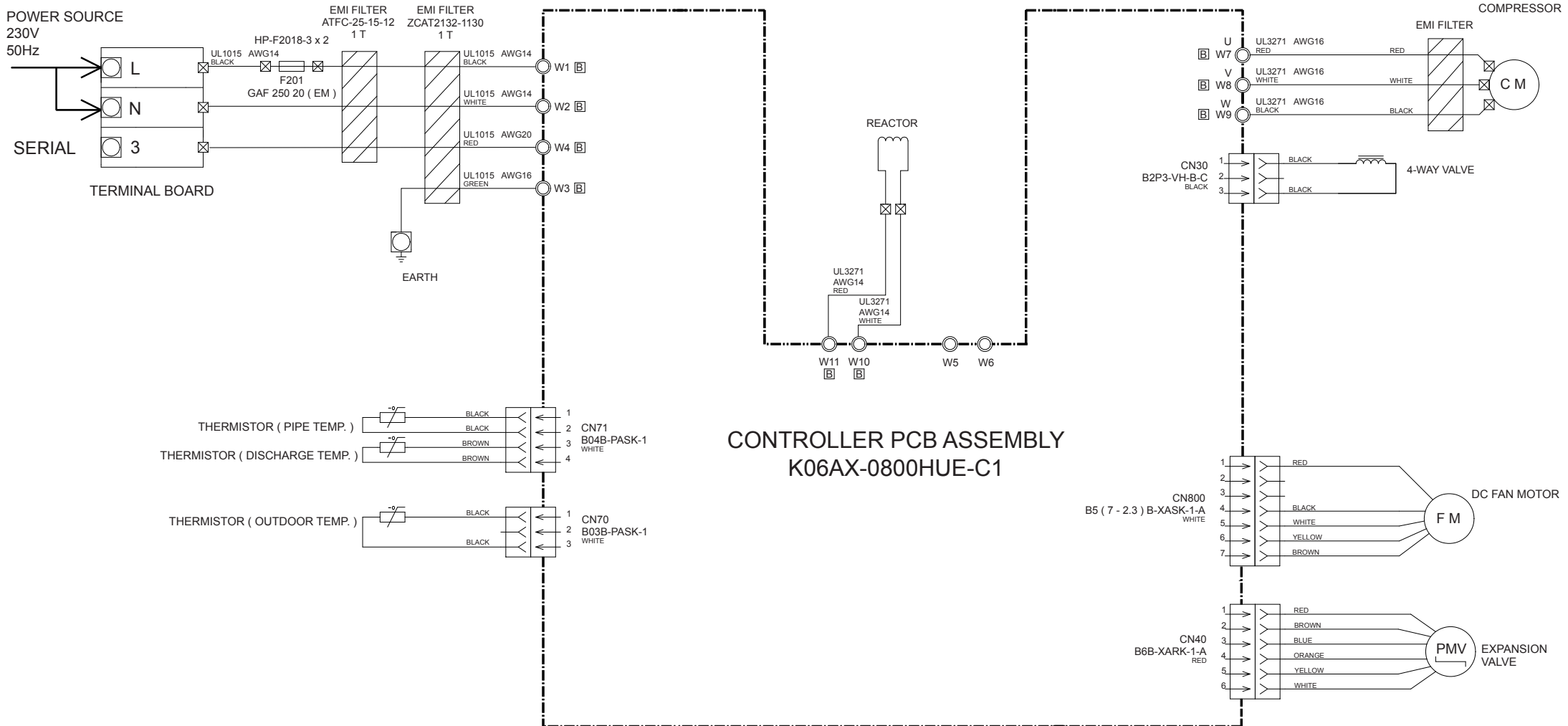
INDOOR UNIT  
 INDICATOR PCB ASSEMBLY  
 K07BJ-0700HSD-D0



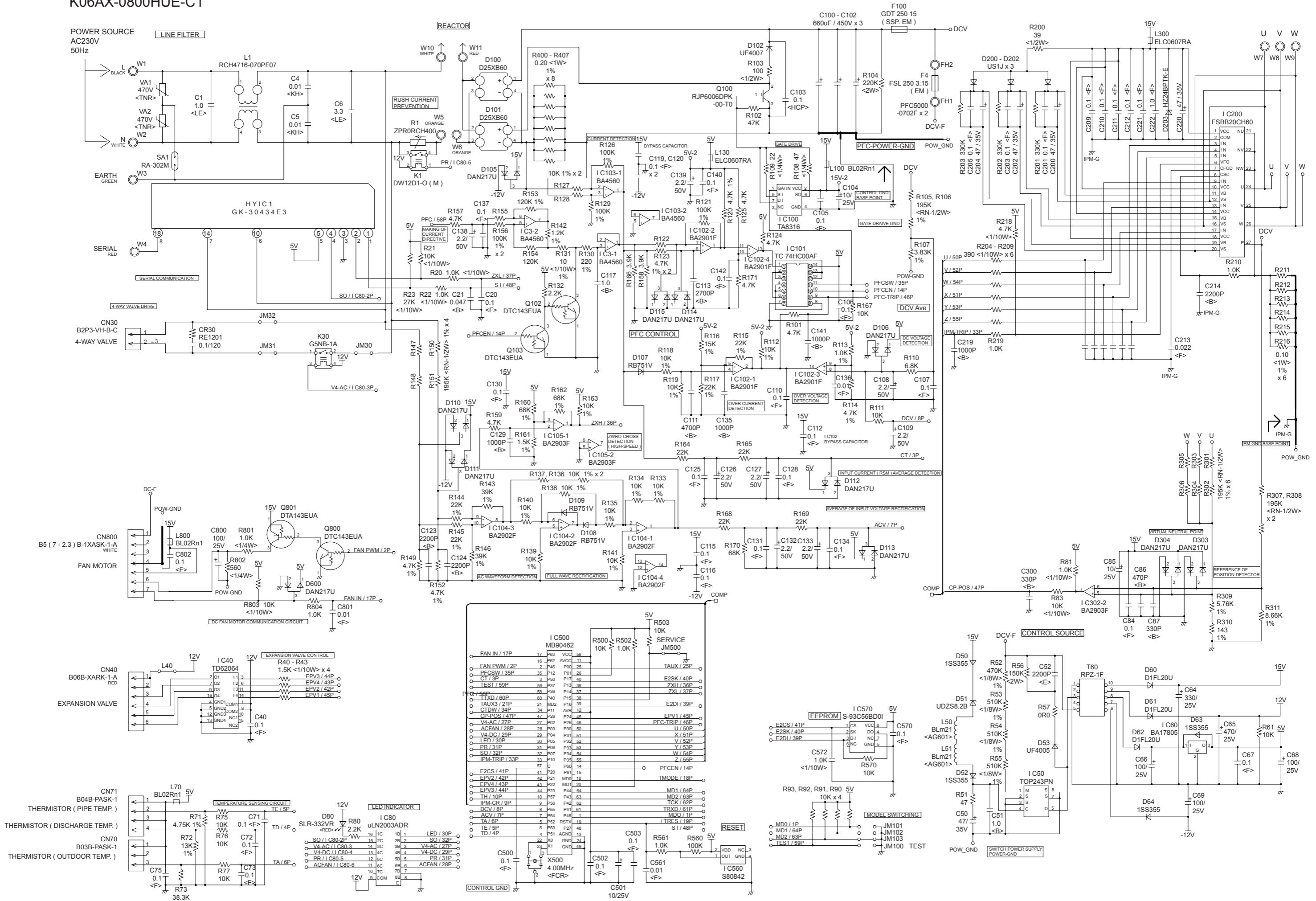


# OUTDOOR PCB CIRCUIT DIAGRAM

## INVERTER ASSEMBLY EZ-0081HUE



**OUTDOOR UNIT  
CONTROLLER PCB ASSEMBLY ( MAIN PCB )  
K06AX-0800HUE-C1**

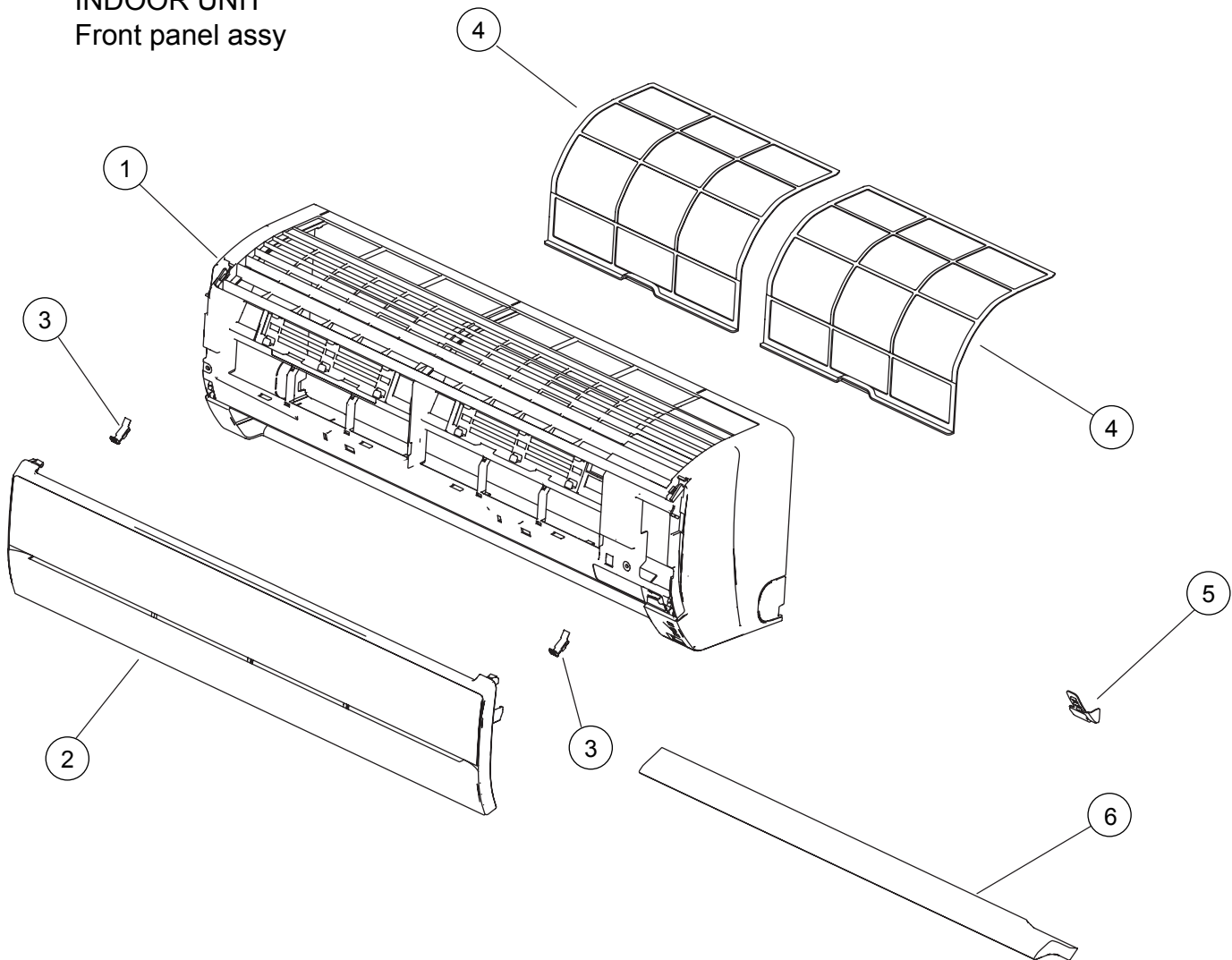


## ERROR CONTENTS

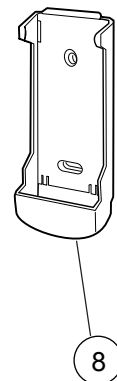
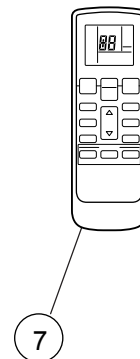
Error	Indoor unit LED			Wired remote control	Error
	Operation LED	Timer LED	Coil dry LED		
Serial signal error	Off	2 flash	off	01	Serial signal (reverse) error, at operation start up
		3 flash	off	01	Serial signal (reverse) error, during operation
		4 flash	off	13	Serial signal (forward) error, at operation start up
		5 flash	off	13	Serial signal (forward) error, during operation
		8 flash	off	00	Wired remote control error
Indoor unit thermistor error	2 flash	2 flash	off	02	Indoor air thermistor error
		3 flash	off	04	Heat exchanger middle thermistor error
Outdoor unit thermistor error	3 flash	2 flash	off	0C	Discharge pipe thermistor error
		3 flash	off	06	Heat exchanger thermistor error
		4 flash	off	0A	Outdoor air thermistor error
Indoor unit control error	4 flash	2 flash	off	20	Manual auto button welded
		3 flash	off	-	Main relay welded
Outdoor unit control error	5 flash	2 flash	off	17	Current trip error
		3 flash	off	18	CT abnormal
		5 flash	off	1A	Compressor location detection error
		6 flash	off	1B	Outdoor unit fan drive system abnormal
Indoor fan motor error	6 flash	2 flash	off	12	Abnormal lock (upper fan motor)
		3 flash	off	12	Abnormal rotation (upper fan motor)
Refrigerant cycle error	7 flash	2 flash	off	0F	Discharge temperature abnormal
		3 flash	off	24	Cooling high pressure abnormal rise
		4 flash	off	2C ?	DC 4-way valve and expansion valve abnormal
Optional function error	8 flash	4 flash	off	25	PFC circuit error
Model information error	0.1 sec on/off	0.1 sec on/off	0.1 sec on/off	11	Model information error

# PARTS

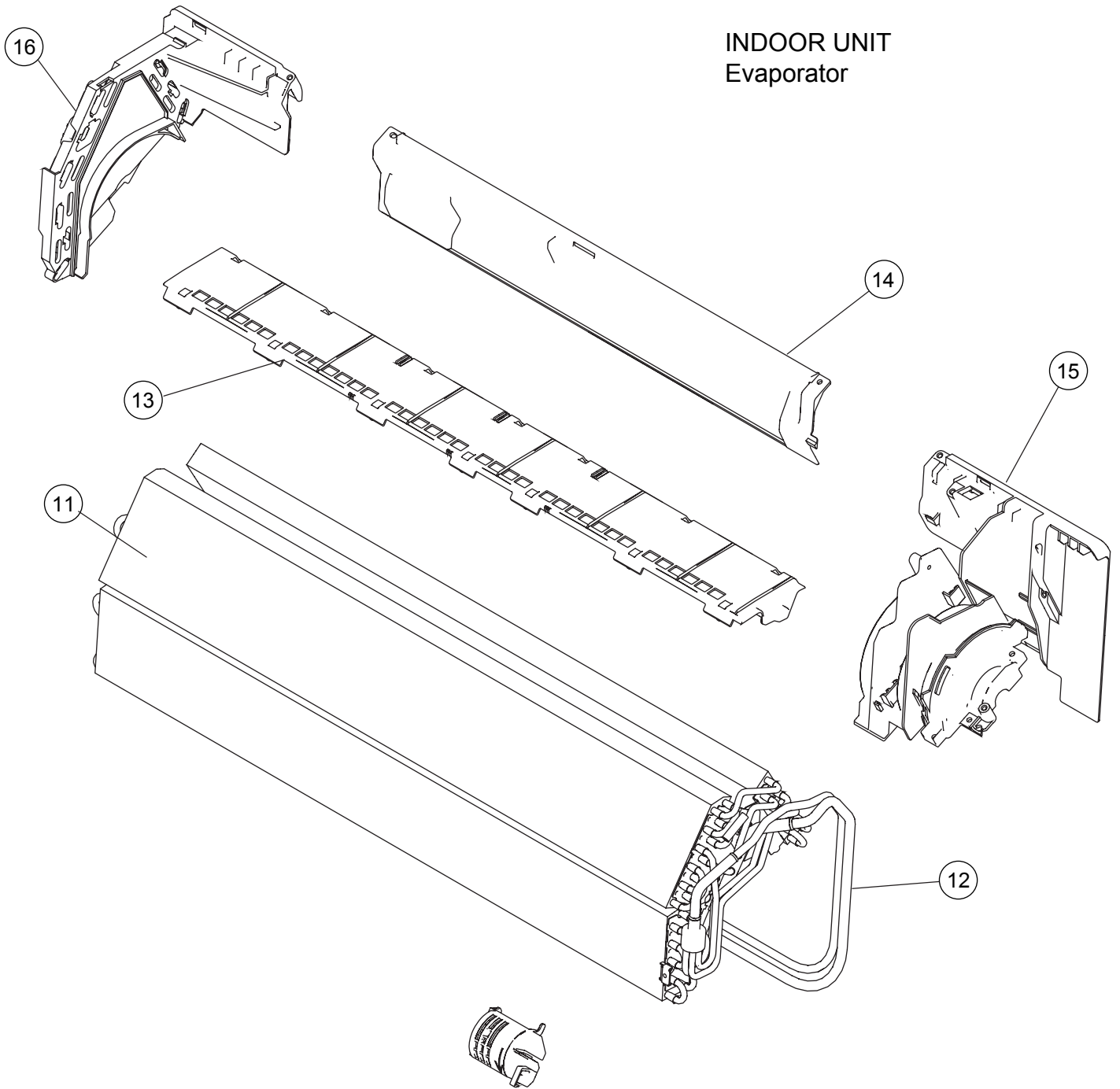
## INDOOR UNIT Front panel assy



Ref.	Description	Part number
1	Front Panel	9316558014
2	Intake Grille Assy	9317428057
3	Clamper (Grille)	9316906006
4	Air Filter	9316562004
5	Receiver Window	9316588004
6	Panel Cover	9316561007
7	Remote Control	9316397026
8	Remote Control Holder	9305642045
--	Air Clean Filter Assy	9317250009
--	Wire Cover	9316559004
--	Wire Shield	9316584006



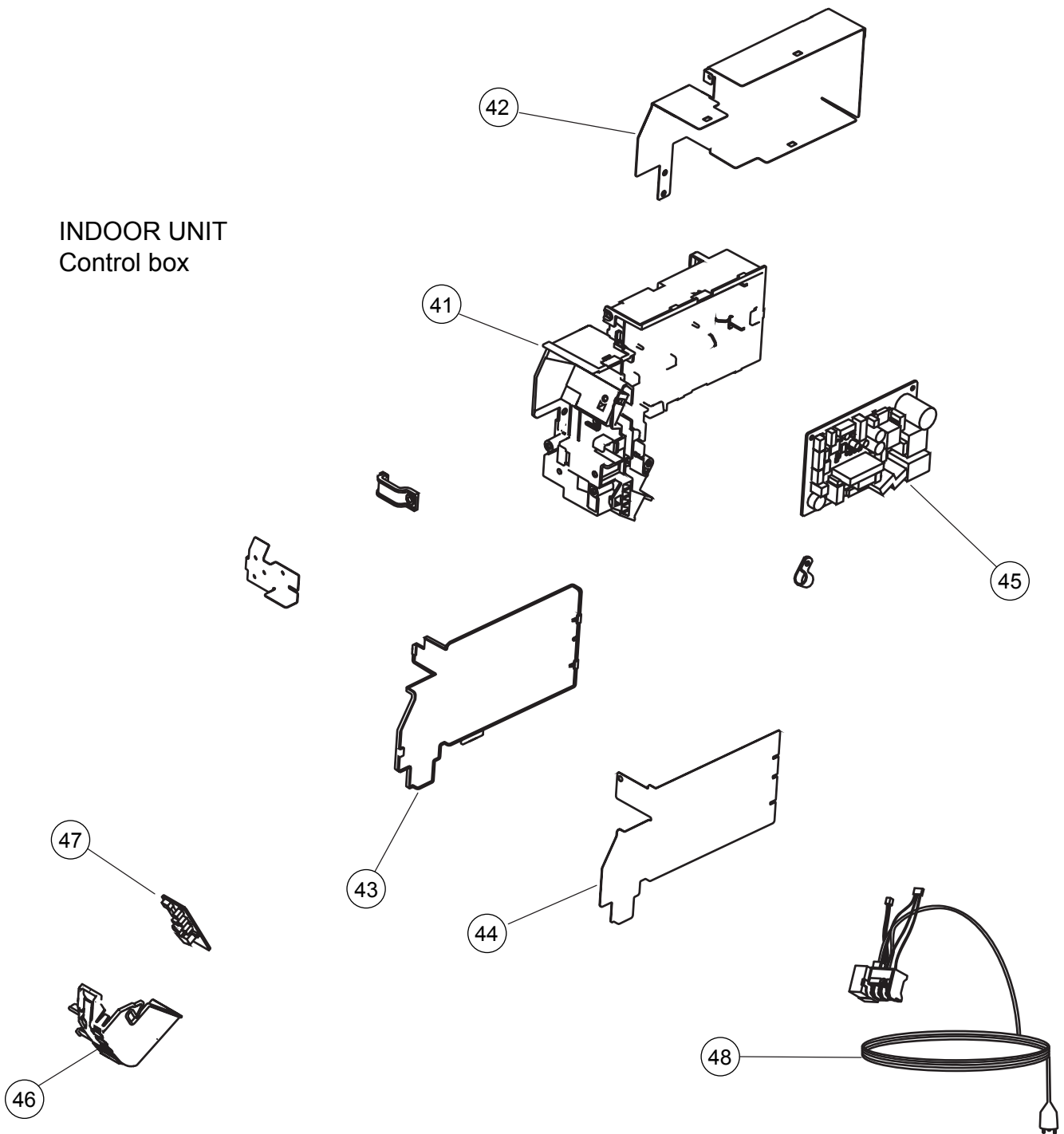
INDOOR UNIT  
Evaporator



Ref.	Description	Part number
11	Evaporator Assy	9317268011
12	Joint Pipe Assy	9317468008
13	Filter Guide	9316578005
14	Rear Bracket	9316566002
15	Evaporator Holder R	9316565005
16	Evaporator Holder L	9316564008
--	Pipe Joint (Eva Outlet) Assy	9316936010
--	Distributor Assy	9316942011



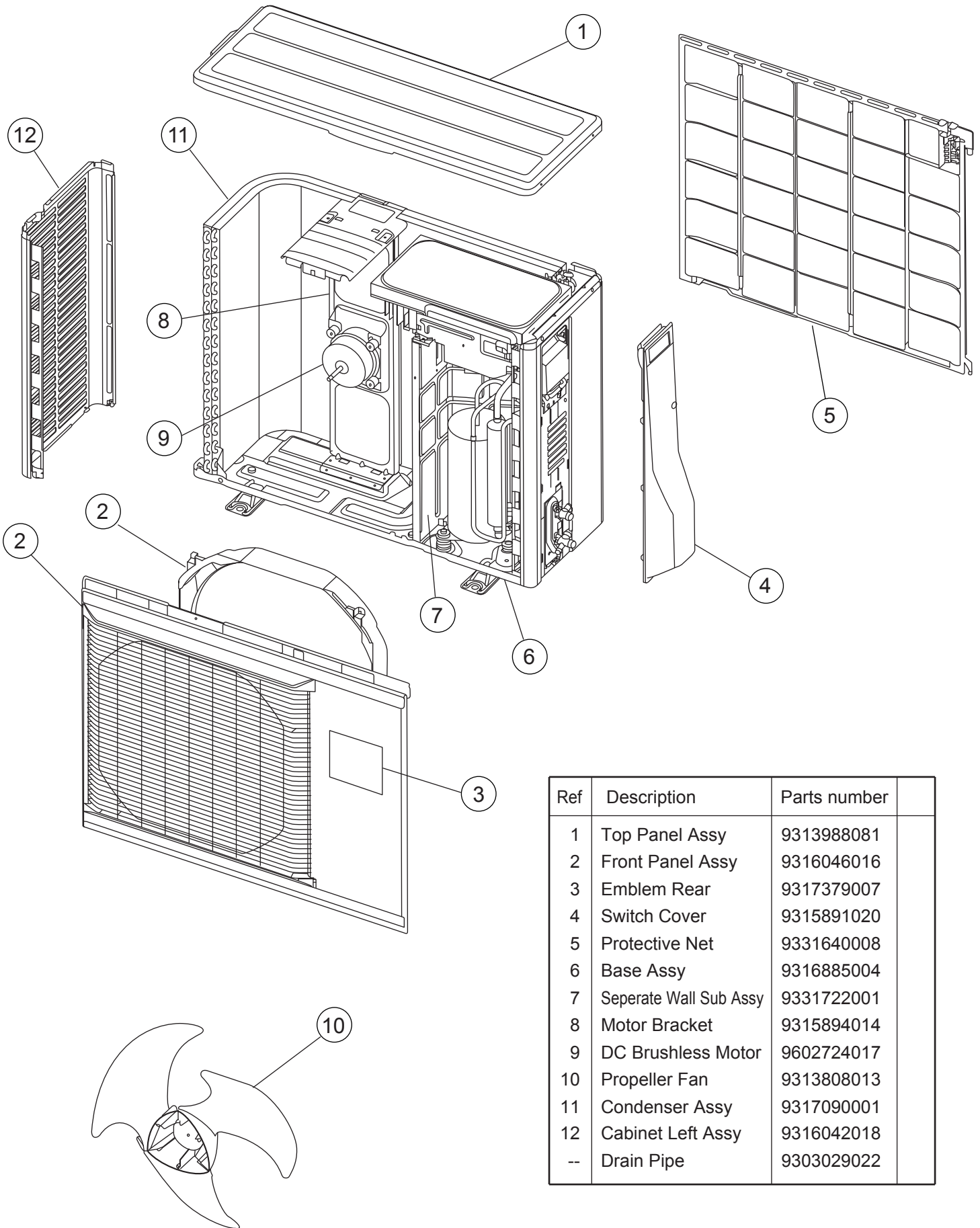
INDOOR UNIT  
Control box



Ref.	Description	Part number
41	Control Box	9316582002
42	Box Shield	9316580008
43	Control Cover	9316583009
44	Cover Shield	9316581005
45	Controller PCB Assy	9707645149
46	Display Case	9316587007
47	Display PCB Assy	9707649017
48	Power Cord Assy	9900456009
--	Earth Terminal	9316586000
--	Thermistor Assy	9900459017
--	Room Thermistor Holder	9316895003

# PARTS

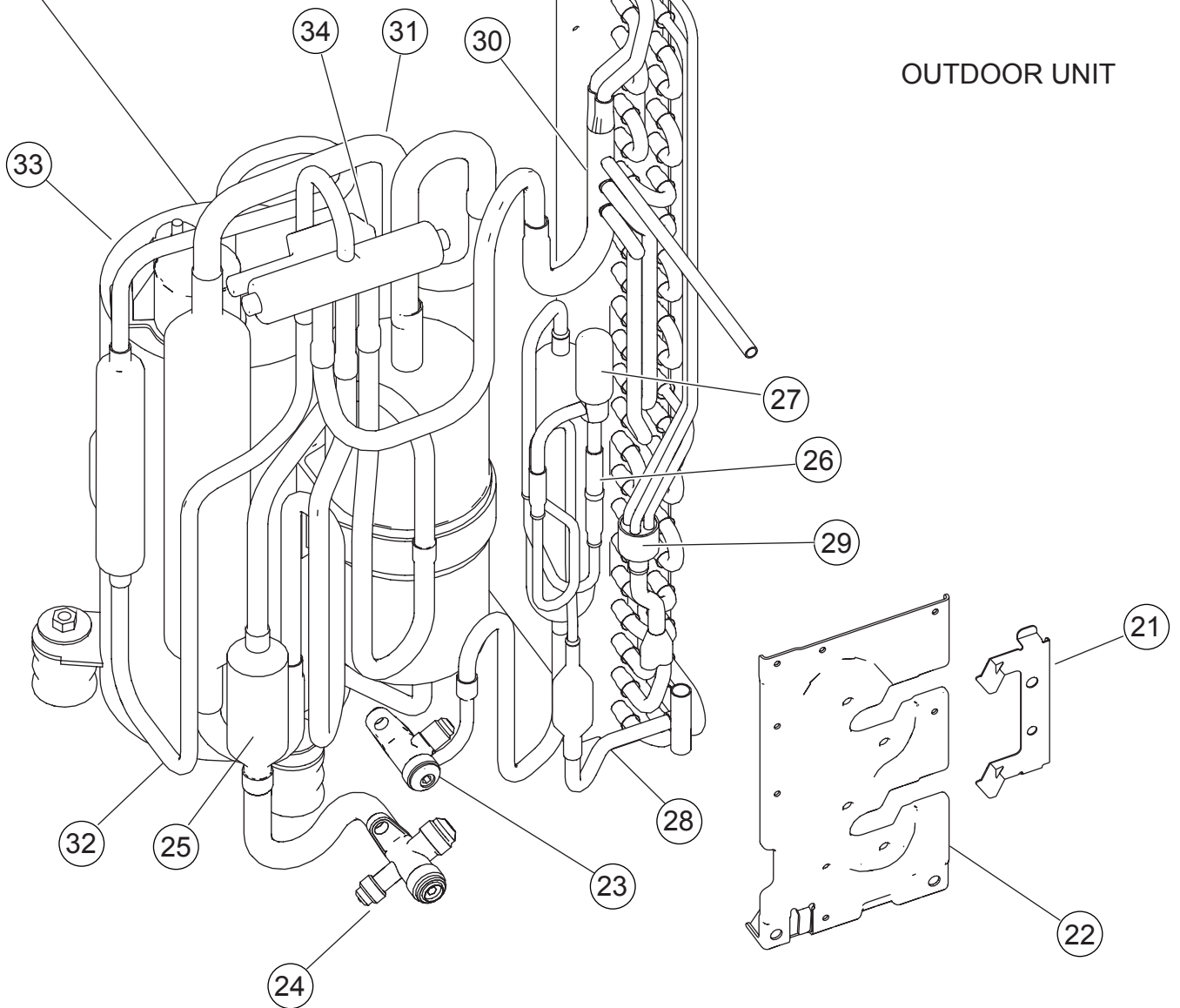
## OUTDOOR UNIT



Ref	Description	Parts number
1	Top Panel Assy	9313988081
2	Front Panel Assy	9316046016
3	Emblem Rear	9317379007
4	Switch Cover	9315891020
5	Protective Net	9331640008
6	Base Assy	9316885004
7	Seperate Wall Sub Assy	9331722001
8	Motor Bracket	9315894014
9	DC Brushless Motor	9602724017
10	Propeller Fan	9313808013
11	Condenser Assy	9317090001
12	Cabinet Left Assy	9316042018
--	Drain Pipe	9303029022

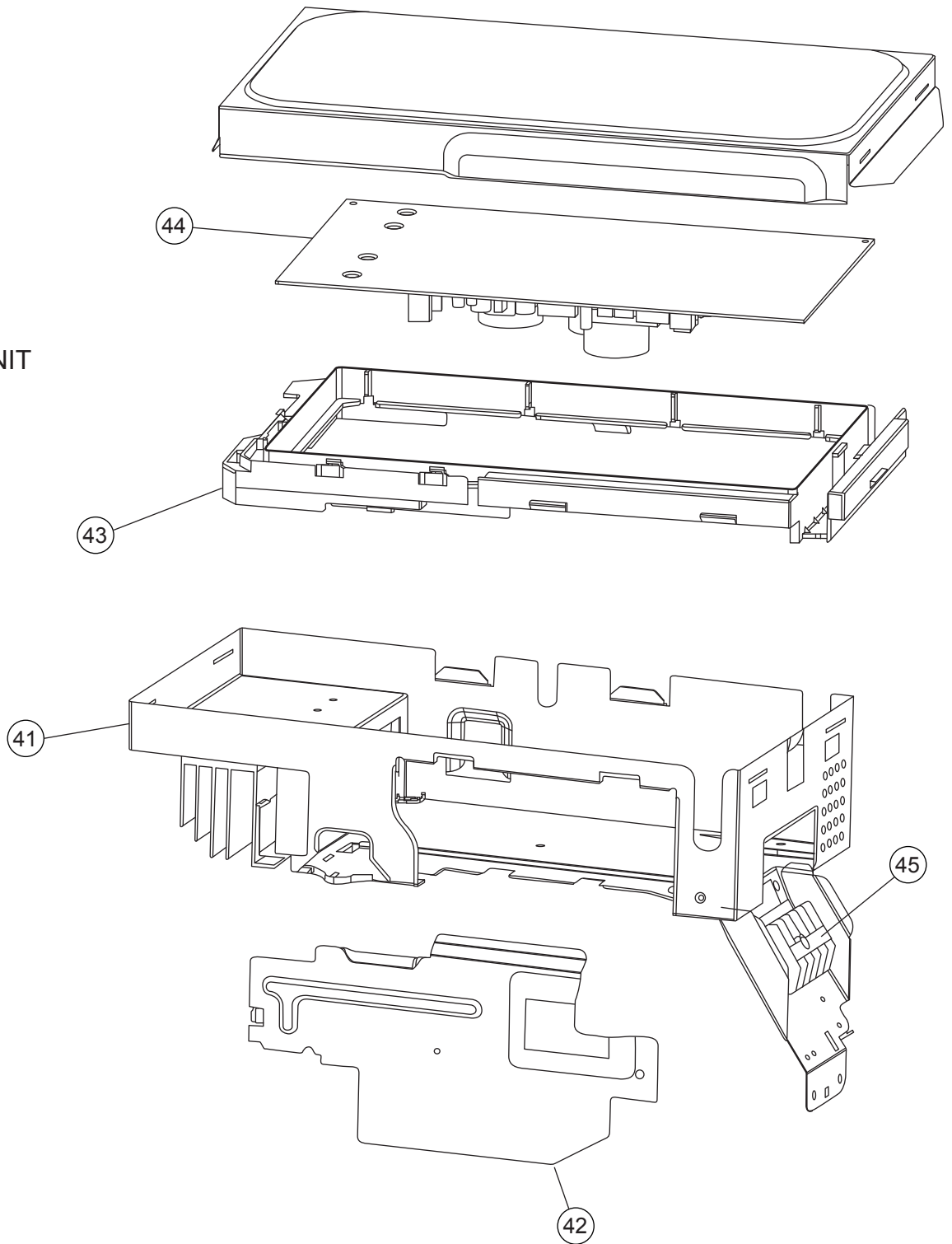


OUTDOOR UNIT



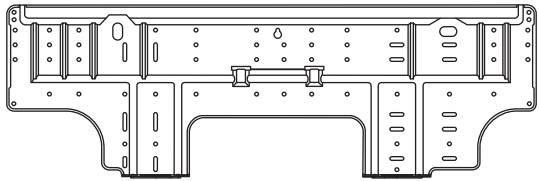
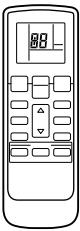
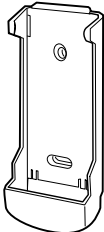
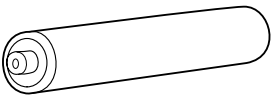
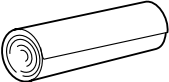
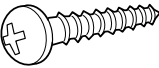
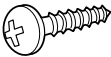
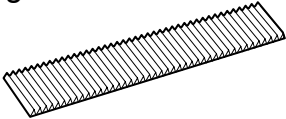
Ref	Description	Parts number
21	Bracket Valve Cover	9331683005
22	Bracket Valve	9331649001
23	2-Way Valve Assy	9314554018
24	3-Way Valve Assy	9316388017
25	Muffler (3-Way Valve)	9316276017
26	Pulse Motor Valve Assy	9315587015
27	Expansion Valve Coil	9900057039
28	Pipe (Cond Ex) Assy	9317105002
29	Pipe (Cond Sepa) Assy	9317097000
30	Entrance Pipe Assy	9317091008
31	Discharge Pipe Assy	9331772006
32	Suction Pipe Assy	9331775007
33	Compressor Assy	9313279011
34	4-Way Valve	9900162016
--	Solenoid	9970055010
--	Strainer A (in PMV Assy)	9313197018
--	Reactor Assy	9900354022

OUTDOOR UNIT



Ref	Description	Parts number
41	Inverter Case	9313072063
42	Inverter Case Cover	9314507038
43	PCB Holder	9313074029
44	Controller PCB Assy	9707427189
45	Terminal	9306489168
--	Bracket (Terminal)	9315233042
--	Terminal Cover	9331704007
--	Thermistor Assy	9900148041
--	Outdoor Thermistor	9900210038

## ACCESSORIES

Name and Shape	Part number
<p>Wall hook bracket</p> 	<p>9316590007</p>
<p>Remote control</p> 	<p>9316397026</p>
<p>Remote control holder</p> 	<p>9305642045</p>
<p>Battery (penlight)</p> 	<p>0600185527</p>
<p>Cloth tape</p> 	<p>9310519004</p>
<p>Tapping screw (big) (<math>\phi</math> 4 x 25)</p> 	<p>0700076046</p>
<p>Tapping screw (small) (<math>\phi</math> 3 x 12)</p> 	<p>0700019036</p>
<p>Air cleaning filter</p> 	<p>9311925088 9312153077</p>

0804G3458