



# Air Conditioning Technical Data

Wall mounted unit



EEDEN13-100

FTXR-E



# TABLE OF CONTENTS

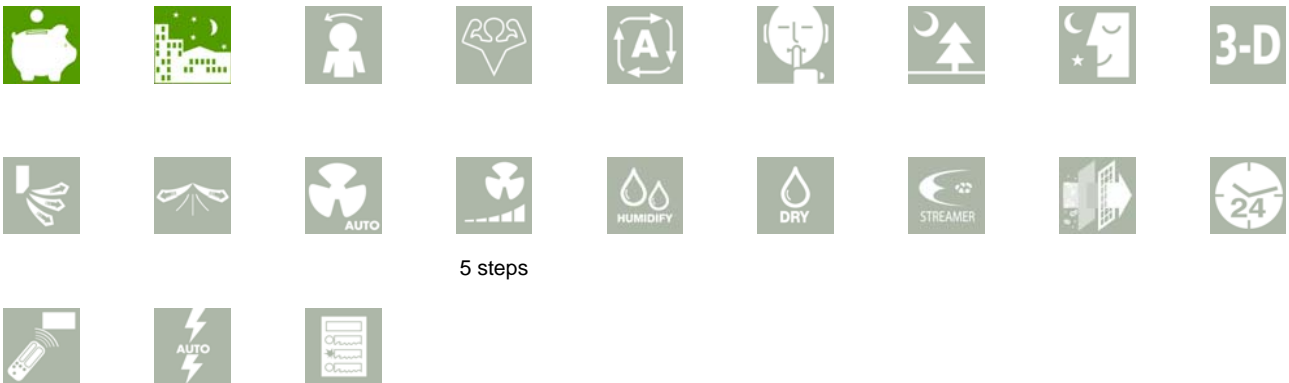
## FTXR-E

1	Features .....	2
2	Specifications .....	3
	Technical Specifications .....	3
	Electrical Specifications .....	4
3	Options .....	5
	Options .....	5
4	Dimensional drawings .....	6
	Dimensional Drawings .....	6
5	Centre of gravity .....	7
	Centre of Gravity .....	7
6	Piping diagrams .....	8
	Piping Diagrams .....	8
7	Wiring diagrams .....	9
	Wiring Diagrams - Single Phase .....	9
8	Sound data .....	10
	Sound Pressure Spectrum - Cooling .....	10
	Sound Pressure Spectrum - Heating .....	11

# 1 Features

- URURU humidification: maintains a comfortable humidity level without any separate water supply
- SARARA dehumidification: maintains a comfortable and fresh indoor environment by removing moisture from the air without lowering the temperature
- Powerful ventilation refreshes the room within 2 hours
- Powerful air purification increases indoor air quality with Daikin Flash Streamer technology
- Good design award: unique evaluation criterion for industrial design in Japan
- Whisper quiet operation: down to 23dBA sound pressure level
- Online controller (optional): control your indoor unit from any location via smartphone, laptop, pc, tablet or touch screen
- Other features: moisturizing operation mode, breeze cooling air flow, comfort sleep operation, mould shock operation

1



## 2 Specifications

2-1 Technical Specifications				FTXR28E	FTXR42E	FTXR50E	
Power input - 50Hz	Cooling	Nom.	kW	0.030	0.035	0.040	
	Heating	Nom.	kW	0.030	0.035	0.040	
Casing	Colour			White			
Dimensions	Unit	Height/Width/Depth		305/890/209			
	Packed unit	Height/Width/Depth		378/956/280			
Weight	Unit		kg	14			
	Packed unit		kg	18			
Heat exchanger	Length		mm	700			
	Rows	Quantity		2 / 1			
	Fin pitch		mm	1.2 / 1.6			
	Stages	Quantity		20 / 12			
	Tube type		ø6.35 Hi-XU				
	Fin	Type		Multi slit fin			
Fan	Type			Cross flow fan (with saw edge)			
	Air flow rate	Cooling	High	m <sup>3</sup> /min	11.1	12.4	13.3
				cfm	392	438	470
			Nom.	m <sup>3</sup> /min	11.1	12.4	13.3
				cfm	392	438	470
		Low	m <sup>3</sup> /min	6.5	6.8	7.3	
			cfm	230	240	258	
		Silent operation	m <sup>3</sup> /min	5.7	6.0	6.5	
			cfm	201	212	230	
	Heating	High	m <sup>3</sup> /min	12.4	12.9	14.0	
			cfm	438	456	494	
		Nom.	m <sup>3</sup> /min	9.8	10.2	11.1	
			cfm	346	360	392	
		Low	m <sup>3</sup> /min	7.3	7.7	8.3	
cfm			258	272	239		
Silent operation	m <sup>3</sup> /min	6.5	6.8	7.3			
	cfm	230	240	258			
Fan motor	Model			KFD-280-57-8A			
	Speed	Steps		5 + silent, + auto			
		Cooling	High/Medium/Low/Silent operation	rpm	1,190/990/790/720	1,300/1,060/820/750	1,380/1,120/860/790
	Heating	High/Medium/Low/Silent operation	rpm	1,300/1,080/860/790	1,340/1,110/890/820	1,440/1,190/950/860	
Output	High	W	57				
Sound power level	Cooling	Nom.	dBA	55	57	59	
	Heating	Nom.	dBA	57	58	60	
Sound pressure level	Cooling	High/Nom./Low/Silent operation	dBA	39/33/26/23	42/35/27/24	44/37/29/26	
	Heating	Super high/High/Nom./Low/Silent operation	dBA	-/41/35/28/25	-/42/36/29/26	-/44/38/31/28	
Refrigerant	Type			R-410A			
Piping connections	Heat insulation			Both liquid and gas pipes			
Temperature control				Microcomputer control			
Air direction control				Right, Left, Horizontal, Downward			
Air filter	Type			Removable / washable / mildew proof			

Standard Accessories : Batteries; Quantity : 2;

Standard Accessories : Deodorising filter for streamer; Quantity : 1;

Standard Accessories : Installation manual; Quantity : 1;

Standard Accessories : Fixing screw for indoor unit; Quantity : 2;

Standard Accessories : Titanium apatite photocatalytic air purification filter; Quantity : 1;

Standard Accessories : Air Supply filter frame; Quantity : 1;

Standard Accessories : Air supply filter; Quantity : 1;

Standard Accessories : Fixing screw for drain hose; Quantity : 1;

Standard Accessories : Remote control holder; Quantity : 1;

Standard Accessories : Infrared remote control (ARC447A1); Quantity : 1;

Standard Accessories : Operation manual; Quantity : 1;

## 2 Specifications

2-2 Electrical Specifications				FTXR28E	FTXR42E	FTXR50E
Power supply	Name			V1		
	Phase			1~		
	Frequency		Hz	50		
	Voltage		V	220-240		
Current	Nominal running current (RLA) - 50Hz	Cooling	A	0.14	0.16	0.19
		Heating	A	0.14	0.16	0.19
Wiring connections - 50Hz	For power supply	Remark	3 for power supply, 4 for interunit wiring (Earth wire included)			

### Notes

(1) SL: The silent fan level of the air flow rate setting

(2) When connected with multi-system outdoor unit, refer to the specifications of the multi outdoor unit to be connected.

# 3 Options

## 3 - 1 Options

### FTXR-E

#### Indoor Units - Control systems

	FTXR2BE	FTXR4ZE	FTXR5OE
Wiring adapter normal open contact / normal open pulse contact		KRP413A1S (1)	
Centralised control board	Up to 5 rooms	KRC72 (2)	
Central remote controller		DCS30ZC51	
Unified ON/OFF control		DCS301B51	
Schedule timer		DST301B51	
Interface adapter for DIII-net		KRP928A2S	
Online controller		KKRP01A	
External mounting kit for online controller		KS8PM01A	
Wifi power cable for online controller		KK8PM01A	
Touch LCD wall controller (3)		KBRC01A	
Simple wall controller (3)		KBRC501A	
KNX gateway		KUC-DD	

- (1) Wiring adapter supplied by Daikin. Time clock and other devices: to be purchased locally.  
 (2) Wiring adapter is also required for each indoor unit.  
 (3) Can only be used in combination with online controller KKRP01A.

#### Indoor Units

	FTXR2BE	FTXR4ZE	FTXR5OE
Air purification and deodorising filter set without frame		KAF974B4ZS	
Air supply filter with frame		KAF963A43	

# 4 Dimensional drawings

## 4 - 1 Dimensional Drawings

**FTXR28-50E**

The mark (→) shows piping direction

Left Right

Required space

Air flow (indoor)

Including mounting plate

275  
273  
209

305

Operating state

unit (mm)

50 Min. (Space for operation)

30 Min. (space for performance)

50 Min. (Space for operation)

Room temp. thermistor (side)

Connection position of humidifying hose

Gas pipe 9,5 Cut

Drain hose connecting part I.D. φ 14 O.D. φ 18

Liquid pipe 6,4 Cut

Multi-colored indicator lamp / indoor unit ON/OFF switch

Timer lamp

Moisturizing lamp

Terminal block with earth terminal

Signal receiver

Signal transmitter

63

26.8

180

Infrared remote control (ARC447A1)

Up/down (automatic)

Cooling Dry cooling Dry

20° 45° 55° 60°

Blade angle

Heating Humid heating Humidifying

30° 25° 55° 70°

Air purifying Ventilation (Individual operation)

15° 15° 55° 70°

Right/Left (Automatic)

45° 65°

Standard locations of wall holes

37 838 15

14.5

180.5

44.5

47-60

59.5

Approx. 345

Approx. 395

Approx. 465

44.5

Wall hole φ 70

Wall hole for embedded piping φ 70 hole

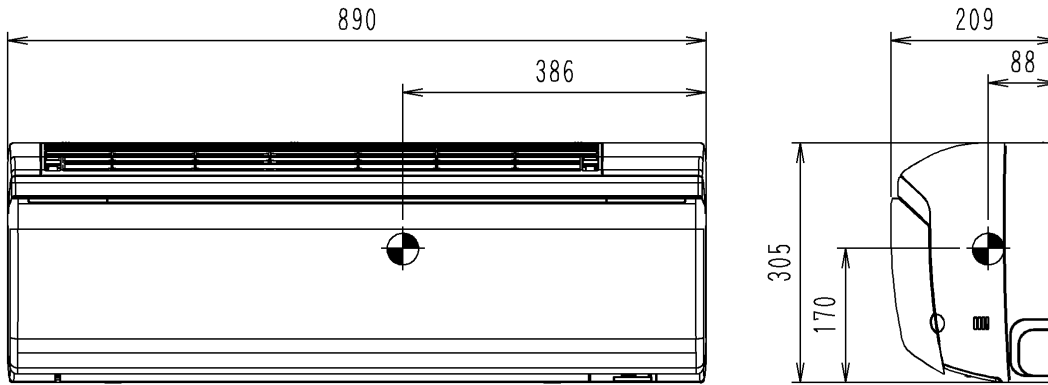
3D053944B



## 5 Centre of gravity

### 5 - 1 Centre of Gravity

FTXR28-50E

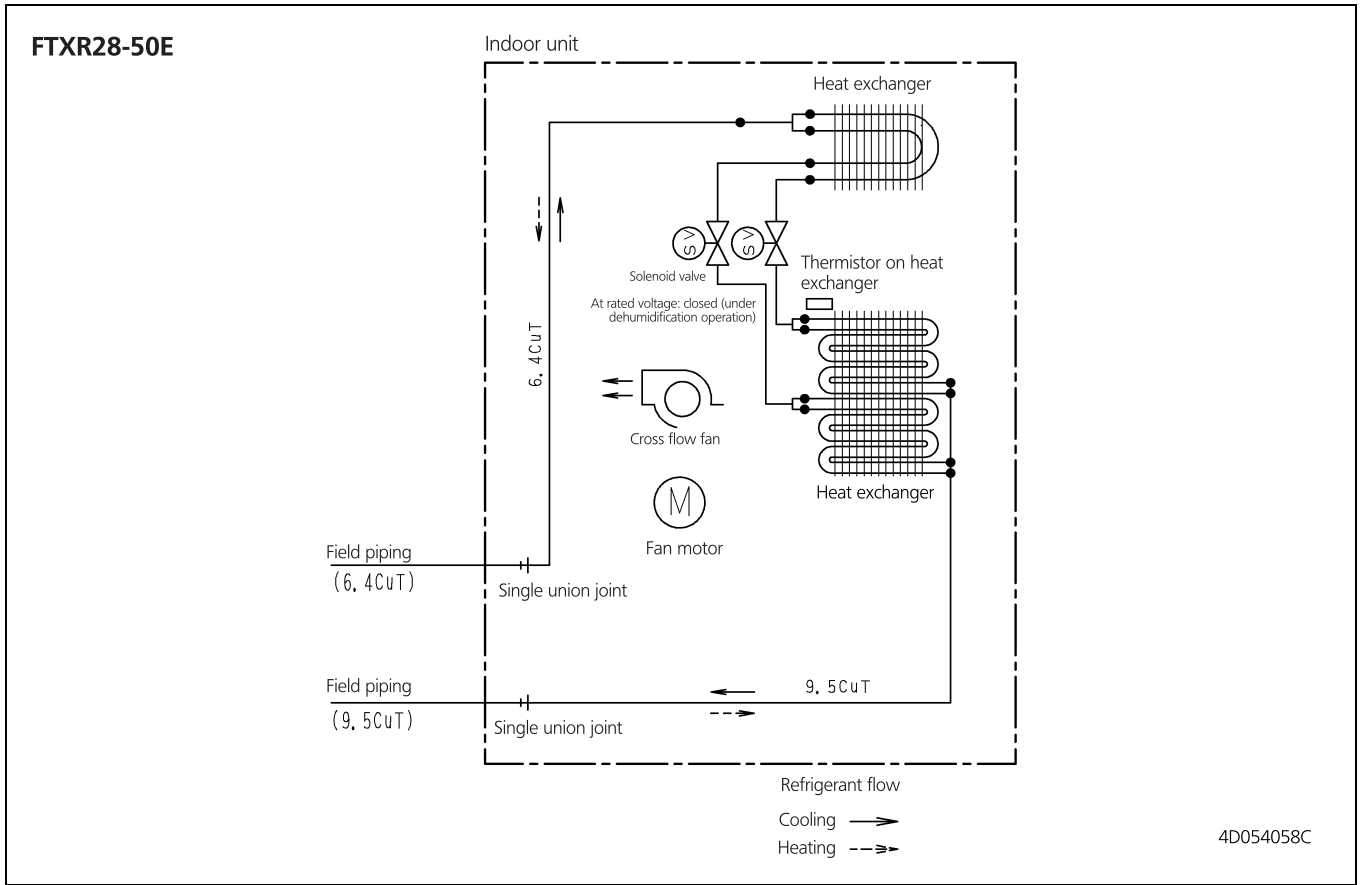


4D054060C

# 6 Piping diagrams

## 6 - 1 Piping Diagrams

6



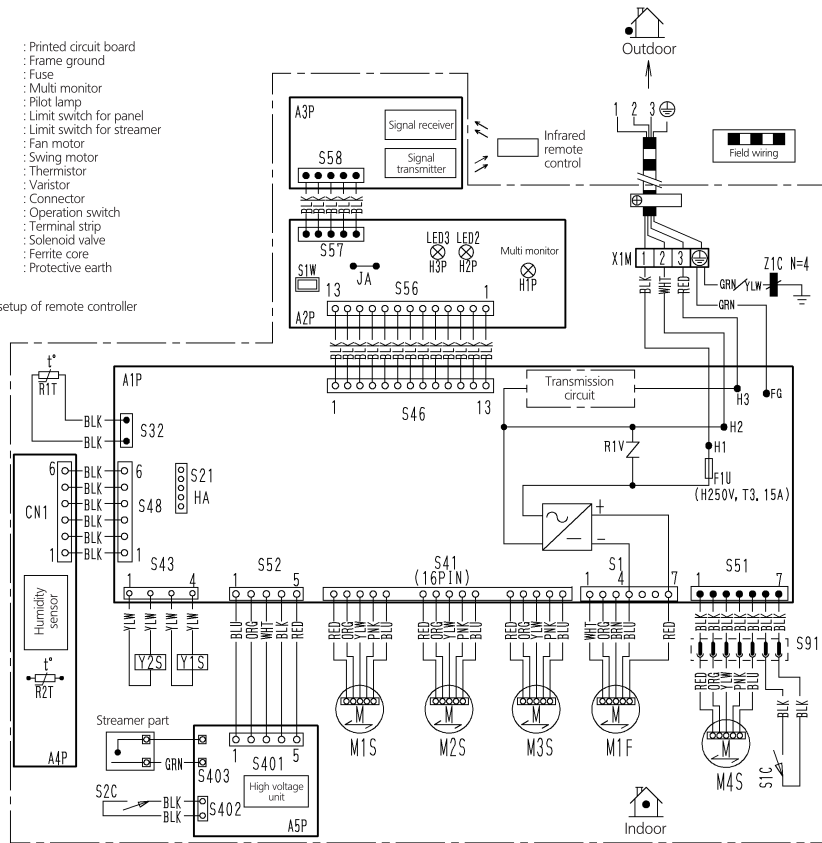
# 7 Wiring diagrams

## 7 - 1 Wiring Diagrams - Single Phase

FTXR-E

- A1P~A5P : Printed circuit board
- FG : Frame ground
- F1U : Fuse
- H1P : Multi monitor
- H2P,H3P : Pilot lamp
- S1C : Limit switch for panel
- S2C : Limit switch for streamer
- M1F : Fan motor
- M1S~M4S : Swing motor
- R1T, R2T : Thermistor
- R1V : Varistor
- S1~S403,CN1 : Connector
- S1W : Operation switch
- X1M : Terminal strip
- Y1S,Y2S : Solenoid valve
- Z1C : Ferrite core
- ⊕ : Protective earth

Jumper  
JA An address setup of remote controller



**CAUTION**

Note that operation will restart automatically if the main power supply is turned off and then back on again.

Note)

- 1 Size: length 120 x width 110.
- 2 Refer to purchasing specification AS303002, unless otherwise specified.
- 3 This drawing was drawn on CAD system.

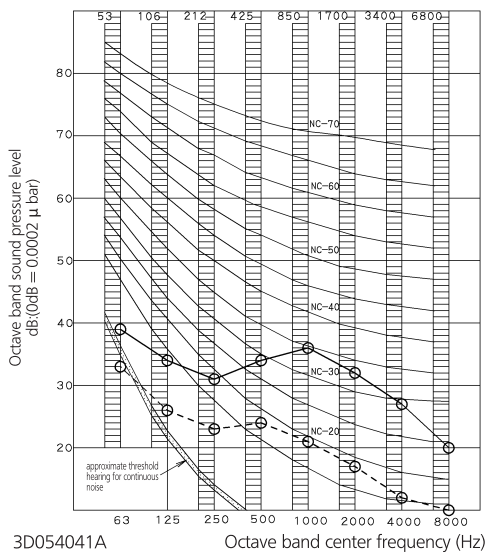
3D052768D

# 8 Sound data

## 8 - 1 Sound Pressure Spectrum - Cooling

8

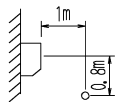
**FTXR28E (Cooling)**



3D054041A

**NOTE**

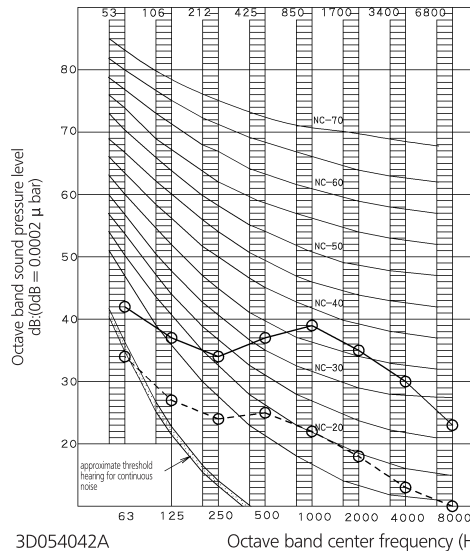
- 1 Operation noise differs with operation and ambient conditions.
- 2 Measure in anechoic room



Legend

- 50Hz 220-240V (H)
- - ○ 50Hz 220-240V (L)

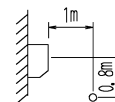
**FTXR42E (Cooling)**



3D054042A

**NOTE**

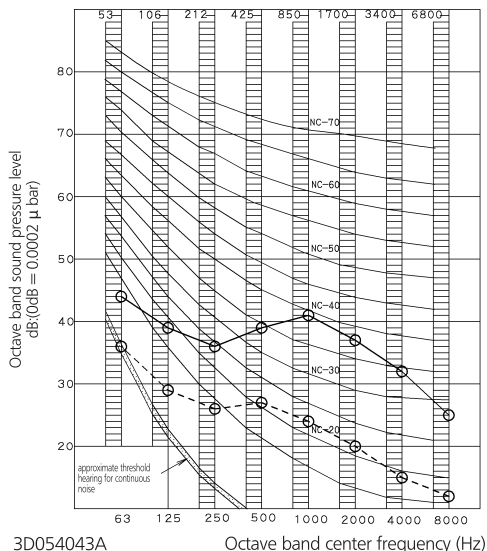
- 1 Operation noise differs with operation and ambient conditions.
- 2 Measure in anechoic room



Legend

- 50Hz 220-240V (H)
- - ○ 50Hz 220-240V (L)

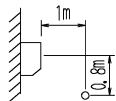
**FTXR50E (Cooling)**



3D054043A

**NOTE**

- 1 Operation noise differs with operation and ambient conditions.
- 2 Measure in anechoic room

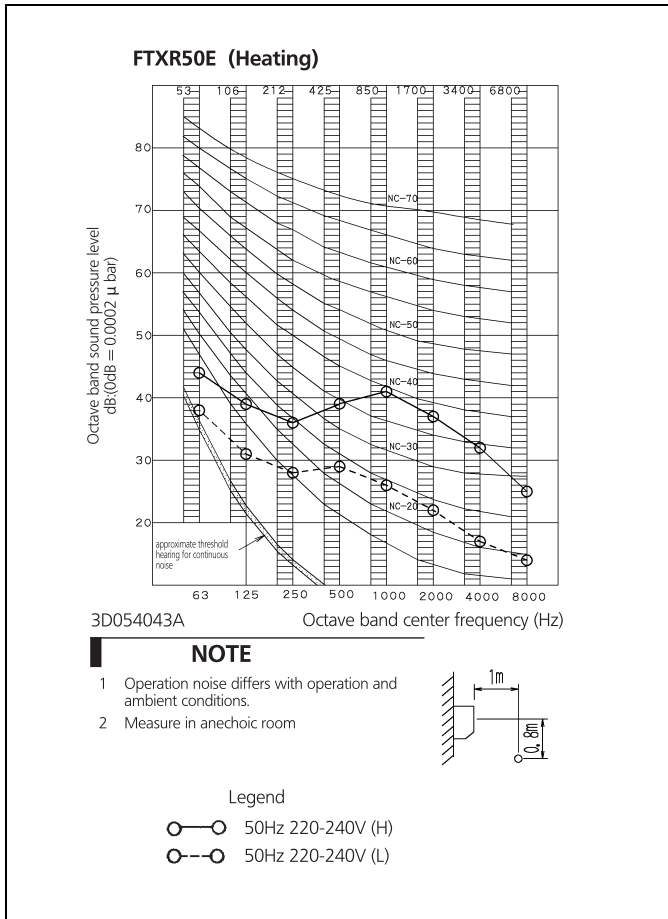
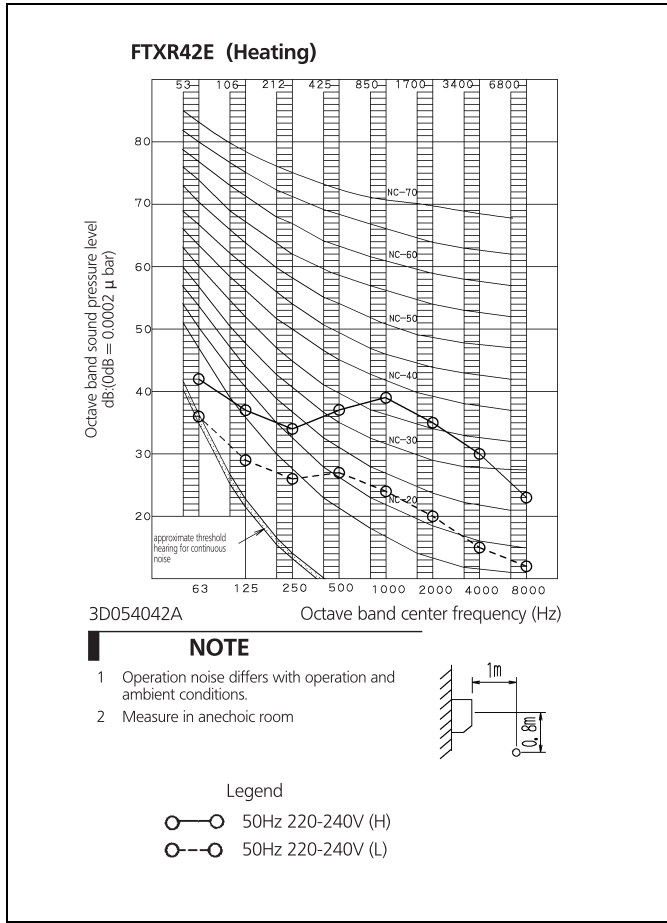
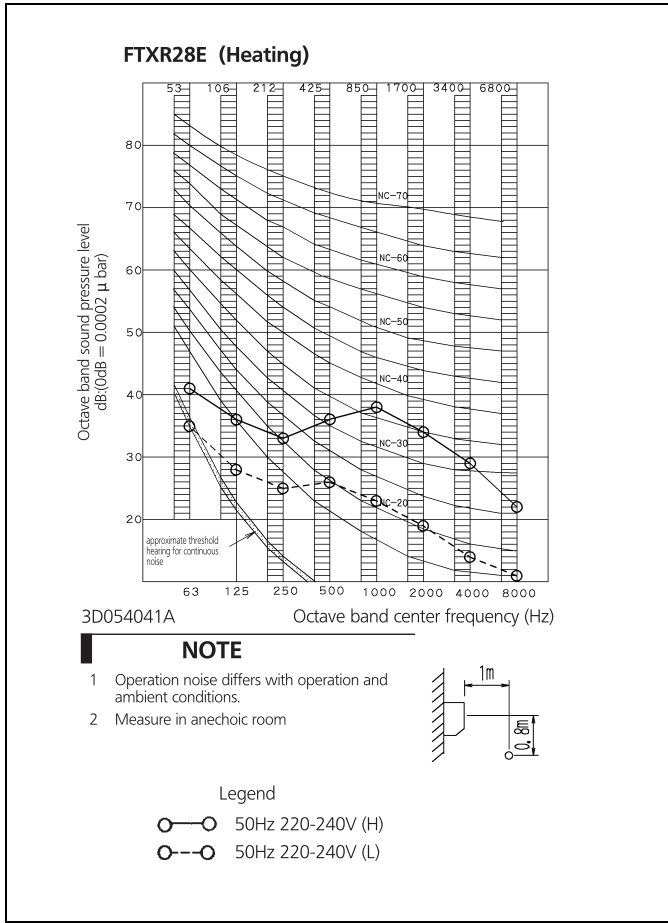


Legend

- 50Hz 220-240V (H)
- - ○ 50Hz 220-240V (L)

# 8 Sound data

## 8 - 2 Sound Pressure Spectrum - Heating







Daikin Europe N.V. participates in the Eurovent Certification programme for Air conditioners (AC), Liquid Chilling Packages (LCP) and Fan coil units (FCU). Check on-going validity of certificate online: [www.eurovent-certification.com](http://www.eurovent-certification.com) or using: [www.certiflash.com](http://www.certiflash.com)

The present leaflet is drawn up by way of information only and does not constitute an offer binding upon Daikin Europe N.V.. Daikin Europe N.V. has compiled the content of this leaflet to the best of its knowledge. No express or implied warranty is given for the completeness, accuracy, reliability or fitness for particular purpose of its content and the products and services presented therein. Specifications are subject to change without prior notice. Daikin Europe N.V. explicitly rejects any liability for any direct or indirect damage, in the broadest sense, arising from or related to the use and/or interpretation of this leaflet. All content is copyrighted by Daikin Europe N.V.

BARCODE

Daikin products are distributed by: