

Air Conditioners

# Technical Data

**VRV**<sup>®</sup>

Wired remote control



EEDEN12-204

BRC1E52A7

Air Conditioners

# Technical Data

**VRV**<sup>®</sup>

Wired remote control



EEDEN12-204

BRC1E52A7

# TABLE OF CONTENTS

## BRC1E52A7

1	Features .....	2
2	Specifications .....	3
	Technical Specifications .....	3
	Electrical Specifications .....	3
3	Dimensional drawings .....	4
	Dimensional Drawings .....	4
4	Explanation of buttons and functions .....	5

# 1 Features

- User friendly remote control with contemporary design
- Easy to use: all main functions directly accessible
- Easy setup: clear graphical user interface for advanced menu settings
- Optimise your air conditioning system by activating a series of energy saving functions (temperature range limit, setback function, off timer, ...)
- Keep track of your energy consumption with the kWh indication showing an indicative electricity consumption
- Set up to 3 independent schedules, so the user can easily change the schedule himself throughout the year (e.g. summer, winter, mid-season)
- Real time clock with auto update to daylight saving time
- Supports multiple languages (English, German, Dutch, Spanish, Italian, Portuguese, French, Greek, Russian, Turkish and Polish)
- Possibility to individually restrict menu functions
- When a power failure occurs all settings remain stored up to 48 hours thanks to the built-in backup power
- Home leave operation maintains the indoor temperature at your specified comfort level during absence, thus saving energy



## 2 Specifications

2-1 Technical Specifications				BRC1E52A
Casing	Colour			Fresh White
	Button cover			No
	Operation LED	Colour		Green
Dimensions	Unit	HeightxWidthxDepth	mm	120x120x19
	Packed unit	HeightxWidthxDepth	mm	150x160x55
Weight	Unit		kg	0.200
	Packed unit		kg	0.415
Packing	Material			Carton
	Weight		kg	0.050
LCD	Type			Full dot (160 x 255)
	Dimensions	Height	mm	43.2
		Width	mm	68.85
	Back light	Colour		White
Temperature setting	Resolution		°C	1
	Setpoint range	Cooling	°C	Depends on the indoor unit
		Heating	°C	Depends on the indoor unit
Ambient temperature	Operation	Min.	°C	-10
		Max.	°C	50
	Storage	Min.	°C	-20
		Max.	°C	70
	Relative humidity \<		%	

2-2 Electrical Specifications				BRC1E52A
Wiring connections	Type of wires			Sheathed vinyl cord or cable
	Size		mm <sup>2</sup>	0.75 / 1.25
	For connection with indoor	Quantity		2
		Remark		
Wiring length	Max.	m		500
Back-up for power failure				Yes (The clock will keep functioning for a period not exceeding 48 hours)

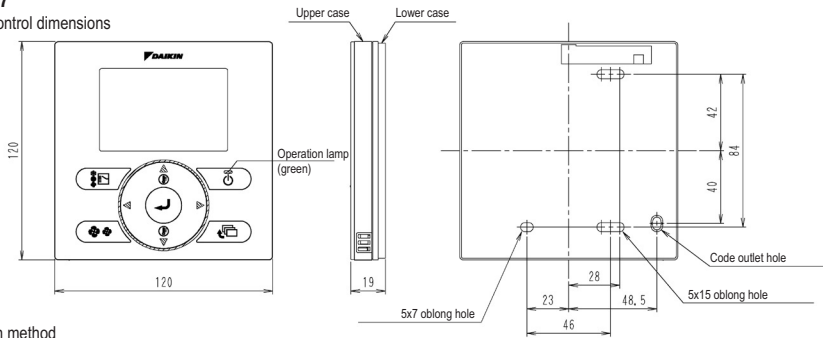
### 3 Dimensional drawings

#### 3 - 1 Dimensional Drawings

3

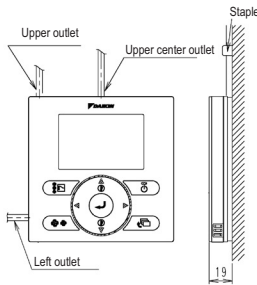
**BRC1E52A7  
BRC1E52B7**

• Remote control dimensions

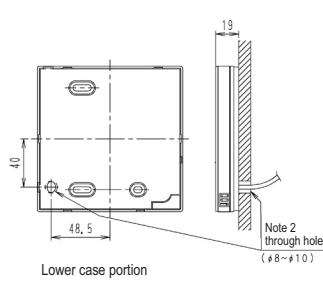


• Installation method

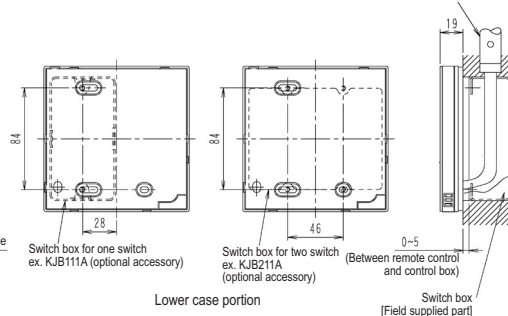
**A) Exposed Cord**



**B) Embedded Cord**



**C) Embedded Cord ( Use Switch Box)**



3D064037

**NOTES**

1. Remote control cord and staple are not attached, they are field supplied parts.

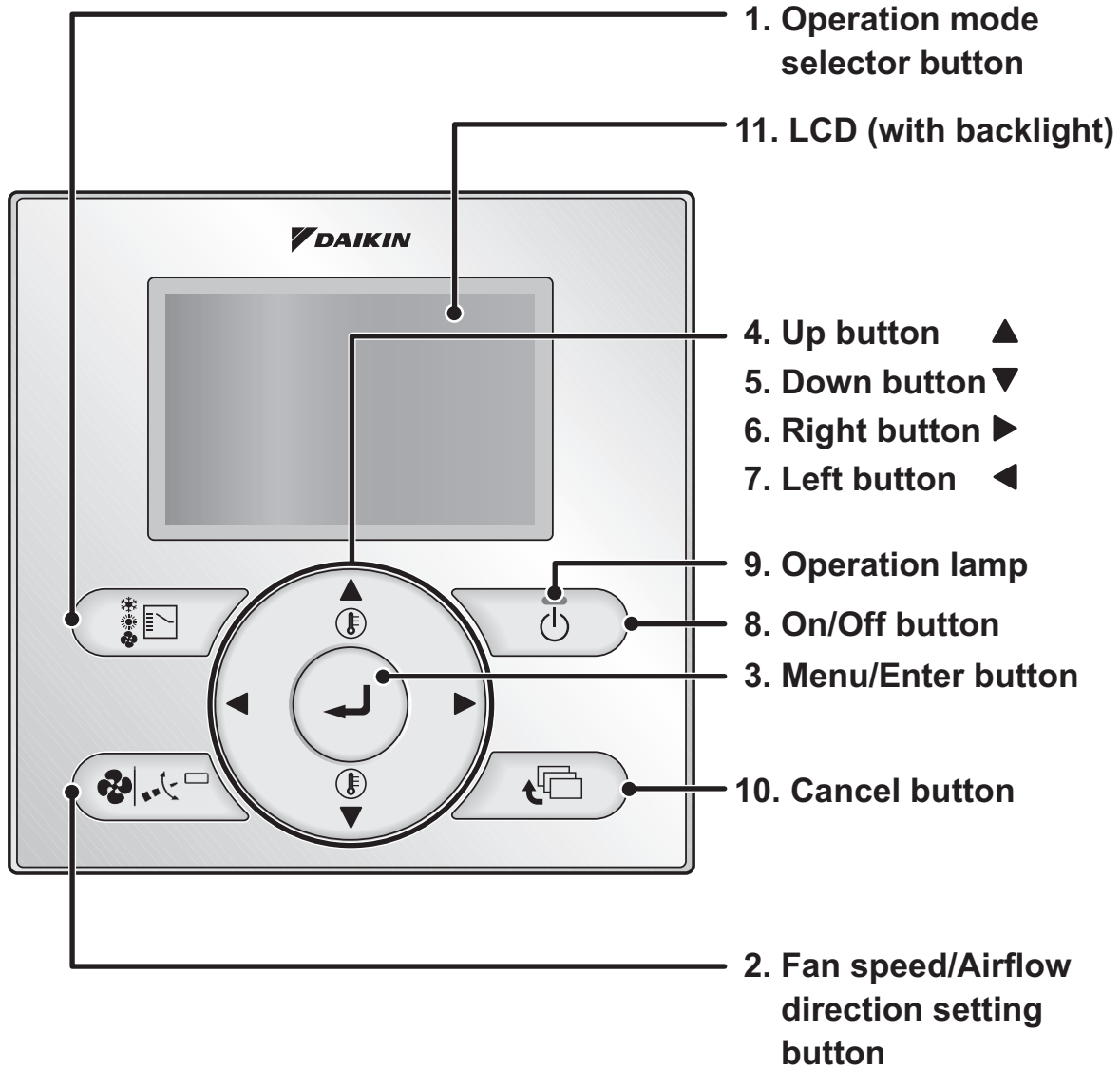
Specifications of cord

Type	Vinyl cord with sheath or cable (insulated thickness: 1mm or more)
Size	0.75~1.25mm <sup>2</sup>
Total length	500m

2. If the hole size is too large or the location is not proper, the hole may come out from the remote control.

4

## 4 Explanation of buttons and functions



Functions other than basic operation items (i.e., On/Off, Operation mode selector, Fan speed/Airflow direction, and temperature settings) are set from the menu screen.

## 4 Explanation of buttons and functions

4

### 1. Operation mode selector button

- Press this button to select the operation mode of your preference. (See page 21.)
- \* Available modes vary with the connecting model.

### 2. Fan speed/Airflow direction setting button

- Used to indicate the Air Volume/Airflow direction setting screen. (See page 14.)
- \* Available fan speed and Airflow direction vary with the connecting model.

### 3. Menu/Enter button

- Used to indicate the main menu. (See page 25 for the menu items.)
- Used to enter the setting item selected.

### 4. Up button ▲ (Be sure to press the part with the symbol ▲)

- Used to raise the set temperature.
- The next items on the upper side will be highlighted. (The highlighted items will be scrolled continuously when the button is kept pressed.)
- Used to change the item selected.

### 5. Down button ▼ (Be sure to press the part with the symbol ▼)

- Used to lower the set temperature.
- The next items on the lower side will be highlighted. (The highlighted items will be scrolled continuously when the button is kept pressed.)
- Used to change the item selected.

### 6. Right button ► (Be sure to press the part with the symbol ►)

- Used to highlight the next items on the right-hand side.
- Each screen is scrolled in the right-hand direction.

### 7. Left button ◀ (Be sure to press the part with the symbol ◀)

- Used to highlight the next items on the left-hand side.
- Each screen is scrolled in the left-hand direction.

### 8. On/Off button

- Press this button and system will start.
- Press this button again and system will stop.

### 9. Operation lamp (Green)

- This lamp lights up during operation.
- This lamp blinks if a error occurs.

### 10. Cancel button

- Used to return to the previous screen.

### 11. LCD (with backlight)

- The backlight will be light for approximately 30 seconds by pressing any operation button. Operate buttons excluding the On/Off button while the backlight is lit.
- If 2 remote controllers are used to control a single indoor unit, the backlight of the remote controller operated earlier than the other one will be lit.

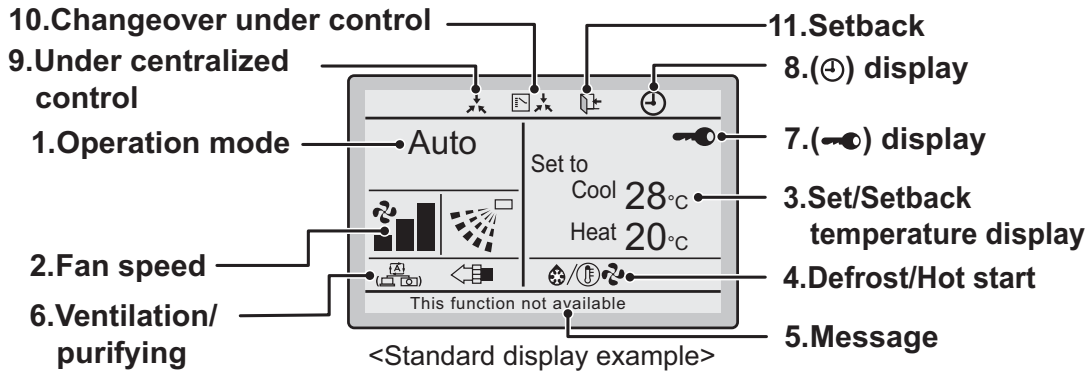


## 4 Explanation of buttons and functions

### Liquid Crystal Display

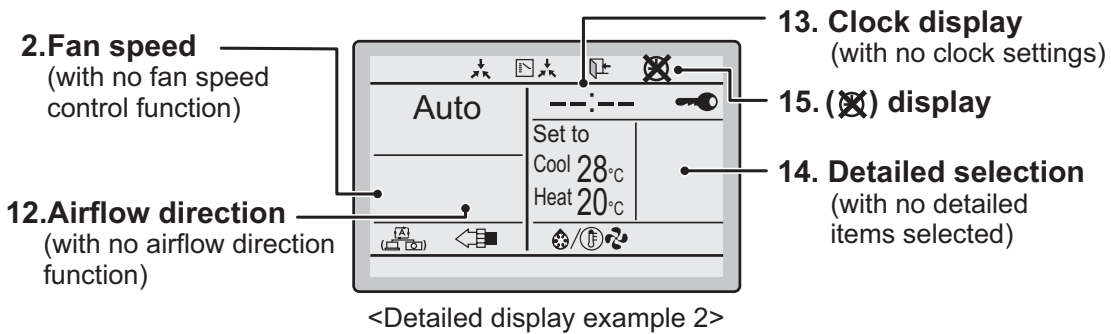
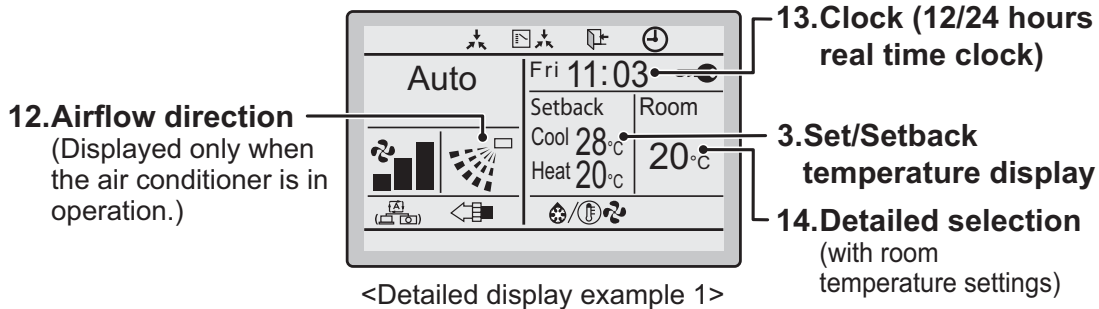
- Two types of liquid crystal display (LCD) are available. The standard display is by default set.
- To go to the detailed display, select the detailed display in the main menu. (See page 53.)
- The displayed contents of the screen vary with the operation mode of the equipment interlocked. (The following display will appear when the air conditioner is in automatic heating operation.)

#### Standard display



#### Detailed display

- The airflow direction, clock, and detailed selection items appear on the detailed display screen in addition to the items appearing on the standard display.



## 4 Explanation of buttons and functions

4

### 1. Operation mode

- Used to display the present operation mode Cool, Heat, Vent, Fan, Dry or Auto mode.

### 2. Fan speed

- Used to display the fan speed that is set for the air conditioner.
- The fan speed will not be displayed if the air conditioner does not have fan speed control function.

### 3. Set/Setback temperature display

- When the unit is turned on, **Set to** indicates the temperatures that are set for the air conditioner.
- When the unit is turned off, **Setback** indicates the temperatures that are set for the setback function.

### 4. Defrost/Hot start "❄️/🔥🌬️"

(See page 16.)

If Ventilating operation "🏠" is displayed:

- Displayed when a total heat exchanger unit, such as the VentiAir, is connected. For details, refer to the Operation Manual of the VentiAir.

### 5. Message

The following messages are displayed.  
"This function not available."

- Displayed for a few seconds when an operation button is pressed if the indoor unit is not provided with the corresponding function.
- If a number of indoor units are in operation, the message will appear only if none of the indoor units is provided with the corresponding function, i.e., the message will not appear if at least one of the indoor units is provided with the corresponding function.

"Error: Press Menu Button."

"Warning: Press Menu Button."

- Displayed if an error or a warning is detected (see page 63).

"Quick Start" (SkyAir only)

- Displayed if the quick cooling/heating function is turned ON (see page 32).

"Time to clean filter."

"Time to clean element."

"Time to clean filter and element."

- Displayed when the time to clean the filter or element has come (see page 61).

### 6. Ventilation/Purifying

- Displayed when a total heat exchanger unit, such as the VentiAir, is connected.
- **Ventilation mode icon.** "🏠🔄🌬️" These icons indicate the current ventilation mode (HRV only) (AUTOMATIC, ENERGY RECLAIM VENTILATION, BYPASS).
- **AIR Purifying ICON** "🏠🧹" This icon indicates that the air cleaning unit (option) is operational.

### 7. 🔑 display (See page 23.)

- Displayed when the key lock is set.

### 8. ⌚ display (See page 42 and 49.)

- Displayed if the schedule timer or OFF timer is enabled.

### 9. Under Centralized control "🏠👤"

- Displayed if the system is under the management of central control equipment (optional accessories) and the operation of the system through the remote controller is prohibited.

### 10. Changeover under control "🏠👤"

(VRV only)

- Displayed on the remote controller if the remote controller has no cooling/heating selection eligibility mode (see page 21).

## 4 Explanation of buttons and functions

### 11. Setback "🏠" (See page 19.)

---

- The setback icon flashes when the unit is turned on under the setback control.

### 12. Airflow direction "🌀" "

---

- Displayed when the airflow direction and swing are set (see page 15).
- This item is not displayed if the system is not provided with a function to set airflow directions.

### 13. Clock (12/24 hours real time clock)

---

- Displayed if the clock is set (see page 57).
- If the clock is not set, "-- : --" will be displayed.

### 14. Detailed selection

---

- Displayed if the detailed display mode is selected (see page 53).
- No detailed items are by default selected.

### 15. ⚠️ display

---

- Displayed to inform that the clock needs to be set again.
- The schedule timer function will not work unless the clock is set again.



In all of us,  
a green heart



Daikin's unique position as a manufacturer of air conditioning equipment, compressors and refrigerants has led to its close involvement in environmental issues. For several years Daikin has had the intention to become a leader in the provision of products that have limited impact on the environment. This challenge demands the eco design and development of a wide range of products and an energy management system, resulting in energy conservation and a reduction of waste.



VRV® products are not within the scope of the Eurovent certification programme.

The present publication is drawn up by way of information only and does not constitute an offer binding upon Daikin Europe N.V. Daikin Europe N.V. has compiled the content of this publication to the best of its knowledge. No express or implied warranty is given for the completeness, accuracy, reliability or fitness for particular purpose of its content and the products and services presented therein. Specifications are subject to change without prior notice. Daikin Europe N.V. explicitly rejects any liability for any direct or indirect damage, in the broadest sense, arising from or related to the use and/or interpretation of this publication. All content is copyrighted by Daikin Europe N.V.

Daikin products are distributed by: