



Air Conditioners

# Technical Data

**VRV**<sup>®</sup>

Water cooled - Standard series (Heat recovery - Heat pump)



EEDEN10-201

RWEYQ-PY1



Air Conditioners

# Technical Data



Water cooled - Standard series (Heat recovery - Heat pump)



EEDEN10-201

RWEYQ-PY1

# TABLE OF CONTENTS

## Standard series - RWEYQ-PY1

|    |   |    |
|----|---|----|
| 1  | Specifications .....                            | 2  |
|    | Independent Unit .....                          | 2  |
|    | Technical Specifications .....                  | 2  |
|    | Electrical Specifications (50Hz) .....          | 5  |
| 2  | Electrical data .....                           | 6  |
| 3  | Options .....                                   | 7  |
|    | Option list .....                               | 7  |
|    | Water piping strainer (BWU26A15/BWU26A20) ..... | 7  |
| 4  | Capacity tables .....                           | 9  |
|    | Water flow head loss .....                      | 9  |
|    | Cooling capacity tables .....                   | 10 |
|    | Heating capacity tables .....                   | 37 |
|    | Capacity correction factor .....                | 64 |
| 5  | Dimensional drawing & centre of gravity .....   | 67 |
|    | Dimensional drawing .....                       | 67 |
|    | Centre of gravity .....                         | 68 |
| 6  | Piping diagram .....                            | 69 |
| 7  | Wiring diagram .....                            | 70 |
|    | Wiring diagram .....                            | 70 |
|    | External connection diagram .....               | 71 |
| 8  | Sound data .....                                | 72 |
|    | Sound pressure spectrum .....                   | 72 |
| 9  | Installation .....                              | 73 |
|    | Service space .....                             | 73 |
|    | Refrigerant pipe selection .....                | 74 |
| 10 | Operation range .....                           | 76 |

# 1 Specifications

| 1-1 Independent Unit |  |  | RWEYQ8PY1 | RWEYQ10PY1 | RWEYQ16PY1 | RWEYQ18PY1 | RWEYQ20PY1 |
|----------------------|--|--|-----------|------------|------------|------------|------------|
| Outdoor Unit         |  |  | RWEYQ8PY1 | RWEYQ10PY1 | RWEYQ8PY1  | RWEYQ10PY1 | RWEYQ10PY1 |
|                      |  |  |           |            | RWEYQ8PY1  | RWEYQ8PY1  | RWEYQ10PY1 |

| 1-2 Technical Specifications           |  |                          |                                       | RWEYQ8PY1                             | RWEYQ10PY1 | RWEYQ16PY1    | RWEYQ18PY1    | RWEYQ20PY1    |
|--|--|--------------------------|---------------------------------------|---------------------------------------|------------|---------------|---------------|---------------|
| Capacity                               | Cooling                                  | kW                       |                                       | 22.4                                  | 26.7       | 44.8          | 49.1          | 53.4          |
|  | Heating                                  | kW                       |                                       | 25.0                                  | 31.5       | 50.0          | 56.5          | 63.0          |
| EER                                    | Cooling                                  |                          |                                       | 4.92                                  | 4.43       | 4.92          | 4.63          | 4.43          |
| COP                                    | Heating                                  |                          |                                       | 5.90                                  | 5.21       | 5.90          | 5.49          | 5.21          |
| Power input (nominal)                  | Cooling                                  | kW                       |                                       | 4.55                                  | 6.03       | 9.10          | 10.6          | 12.1          |
|  | Heating                                  | kW                       |                                       | 4.24                                  | 6.05       | 8.48          | 10.3          | 12.1          |
| Casing                                 | Colour                                   | Ivory white (5Y7,5/1)    |                                       |                                       |            |               |               |               |
| Dimensions                             | Unit                                     | Height                   | mm                                    | 1,000                                 |            |               |               |               |
|  |  | Width                    | mm                                    | 780                                   | 780        | 780 + 780     | 780 + 780     | 780 + 780     |
|  |  | Depth                    | mm                                    | 550                                   | 550        | 550           | 550           | 550           |
| Weight                                 | Unit                                     | kg                       | 149                                   | 150                                   | 149 + 149  | 150 + 149     | 150 + 150     |               |
| Heat Exchanger                         | Dimensions                               | Type                     | Stainless steel plate                 |                                       |            |               |               |               |
| Compressor                             | Piston displacement                      |                          | m                                     | 14.61                                 | 14.61      | 14.61 + 14.61 | 14.61 + 14.61 | 14.61 + 14.61 |
|  | Motor                                    | Type                     |                                       | Hermetically sealed scroll compressor |            |               |               |               |
|  |  | Speed                    | rpm                                   | 6,900                                 | 6,900      | 6,900 + 6,900 | 6,900 + 6,900 | 6,900 + 6,900 |
|  |  | Motor Output             | kW                                    | 4.0                                   | 4.2        | 4.0 + 4.0     | 4.2 + 4.0     | 4.2 + 4.2     |
| Starting Method                        |  | Soft start               |                                       |                                       |            |               |               |               |
| Sound level                            | Cooling                                  | Sound Pressure (Nominal) | dBA                                   | 50                                    | 51         | 53            | 54            | 54            |
| Inlet water temperature                | Cooling                                  | Min~Max                  | °CDB                                  | 10-45                                 |            |               |               |               |
|  | Heating                                  | Min~Max                  | °CWB                                  | 10-45                                 |            |               |               |               |
| Refrigerant                            | Name                                     |                          | R-410A                                |                                       |            |               |               |               |
|  | Charge                                   | kg                       | 3.5                                   | 4.2                                   | 3.5 + 3.5  | 4.2 + 3.5     | 4.2 + 4.2     |               |
|  | Control                                  |                          | Expansion valve (electronic type)     |                                       |            |               |               |               |
| Refrigerant Oil                        | Name                                     |                          | Synthetic (ether) oil                 |                                       |            |               |               |               |
| Piping connections                     | Liquid (OD)                              | Type                     |                                       | Flare connection                      |            |               |               |               |
|  |  | Diameter (OD)            | mm                                    | 9.52                                  | 9.52       | 12.7          | 15.9          | 15.9          |
|  | Gas (in case of heat recovery)           | Type                     |                                       | Braze connection                      |            |               |               |               |
|  |  | Diameter (OD)            | mm                                    | 19.1                                  | 22.2       | 28.6          | 28.6          | 28.6          |
|  | Discharge Gas (in case of heat recovery) | Type                     |                                       | Braze connection                      |            |               |               |               |
|  |  | Diameter (OD)            | mm                                    | 15.9                                  | 19.1       | 22.2          | 22.2          | 22.2          |
|  | Discharge Gas (in case of heat pump)     | Type                     |                                       | Braze connection                      |            |               |               |               |
|  |  | Diameter (OD)            | mm                                    | 19.1                                  | 22.2       | 28.6          | 28.6          | 28.6          |
|  | Water inlet                              |                          | PT1 1/4B internal thread              |                                       |            |               |               |               |
|  | Water outlet                             |                          | PT1 1/4B internal thread              |                                       |            |               |               |               |
| Drain outlet                           |  | PS 1/2B internal thread  |                                       |                                       |            |               |               |               |
| Max total length                       |  | m                        | 300                                   |                                       |            |               |               |               |
| Level difference OU-IU                 |  | m                        | 50 (outdoor unit in highest position) |                                       |            |               |               |               |
| Max n° of indoor units to be connected |  |                          |                                       | 13                                    | 16         | 26            | 29            | 32            |
| Capacity Control                       |  |                          |                                       | 23 to 100                             | 23 to 100  | 11 to 100     | 11 to 100     | 11 to 100     |
| Safety devices                         |  |                          |                                       | HPS                                   |            |               |               |               |
|  |  |                          |                                       | Inverter overload protector           |            |               |               |               |
|  |  |                          |                                       | Fusible plugs                         |            |               |               |               |
| Standard Accessories                   |  |                          |                                       | Installation manual                   |            |               |               |               |
|  |  |                          |                                       | Operation manual                      |            |               |               |               |
|  |  |                          |                                       | Connection pipes                      |            |               |               |               |
|  |  |                          |                                       | Clamps                                |            |               |               |               |

# 1 Specifications

| 1-2 Technical Specifications | RWEYQ8PY1   | RWEYQ10PY1  | RWEYQ16PY1   | RWEYQ18PY1  | RWEYQ20PY1  |
|------------------------------|---|---|--|---|---|
| Notes                        | Nominal cooling capacities are based on : indoor temperature : 27°CDB, 19°CWB, inlet water temperature : 30°C, equivalent refrigerant piping : 7.5m, level difference : 0m. |   |  |   |   |
|                              | Nominal heating capacities are based on : indoor temperature : 20°CDB, inlet water temperature : 20°C, equivalent refrigerant piping : 7.5m, level difference : 0m          |   |  |   |   |
|                              | This unit should not be installed outdoors, but indoors eg. in a machine room, etc.   |   |  |   |   |
|                              | Hold ambient temperature at 0-46°C and humidity at 80%RH or less. Heat rejection from the casing: 0.64kW/8HP  | Hold ambient temperature at 0-40°C and humidity at 80%RH or less. Heat rejection from the casing: 0.71kW/10HP | Hold ambient temperature at 0-40°C and humidity at 80%RH or less. Heat rejection from the casing: 0.64kW/8HP | Hold ambient temperature at 0-40°C and humidity at 80%RH or less. Heat rejection from the casing: 0.64kW/8HP  | Hold ambient temperature at 0-40°C and humidity at 80%RH or less. Heat rejection from the casing: 0.71kW/10HP |
|                              |   |   |  | Hold ambient temperature at 0-40°C and humidity at 80%RH or less. Heat rejection from the casing: 0.71kW/10HP |   |

| 1-1 Independent Unit | RWEYQ24PY1 | RWEYQ26PY1 | RWEYQ28PY1 | RWEYQ30PY1 |
|----------------------|------------|------------|------------|------------|
| Outdoor Unit         | RWEYQ8PY1  | RWEYQ10PY1 | RWEYQ10PY1 | RWEYQ10PY1 |
|                      | RWEYQ8PY1  | RWEYQ8PY1  | RWEYQ10PY1 | RWEYQ10PY1 |
|                      | RWEYQ8PY1  | RWEYQ8PY1  | RWEYQ8PY1  | RWEYQ10PY1 |

| 1-2 Technical Specifications           |  |                          |            | RWEYQ24PY1                            | RWEYQ26PY1               | RWEYQ28PY1      | RWEYQ30PY1      |                 |
|--|--|--------------------------|------------|---------------------------------------|--------------------------|-----------------|-----------------|-----------------|
| Capacity                               | Cooling                                  | kW                       |            | 67.2                                  | 71.5                     | 75.8            | 80.1            |                 |
|  | Heating                                  | kW                       |            | 75.0                                  | 81.5                     | 88.0            | 94.5            |                 |
| EER                                    | Cooling                                  |                          |            | 4.91                                  | 4.74                     | 4.57            | 4.43            |                 |
| COP                                    | Heating                                  |                          |            | 5.91                                  | 5.62                     | 5.40            | 5.21            |                 |
| Power input (nominal)                  | Cooling                                  | kW                       |            | 13.7                                  | 15.1                     | 16.6            | 18.1            |                 |
|  | Heating                                  | kW                       |            | 12.7                                  | 14.5                     | 16.3            | 18.2            |                 |
| Casing                                 | Colour                                   |                          |            | Ivory white (5Y7,5/1)                 |                          |                 |                 |                 |
| Dimensions                             | Unit                                     | Height                   | mm         | 1,000                                 |                          |                 |                 |                 |
|  |  | Width                    | mm         | 780 + 780 + 780                       |                          |                 |                 |                 |
|  |  | Depth                    | mm         | 550                                   | 550                      | 550             | 550             |                 |
| Weight                                 | Unit                                     | kg                       |            | 149 + 149 + 149                       | 150 + 149 + 149          | 150 + 150 + 149 | 150 + 150 + 150 |                 |
| Heat Exchanger                         | Dimensions                               | Type                     |            | Stainless steel plate                 |                          |                 |                 |                 |
| Compressor                             | Piston displacement                      |                          | m          | 14.61 + 14.61 + 14.61                 |                          |                 |                 |                 |
|  | Motor                                    | Type                     |            | Hermetically sealed scroll compressor |                          |                 |                 |                 |
|  |  | Speed                    | rpm        |                                       | 6,900 + 6,900 + 6,900    |                 |                 |                 |
|  |  | Motor Output             | kW         |                                       | 4.0 + 4.0 + 4.0          | 4.2 + 4.0 + 4.0 | 4.2 + 4.2 + 4.0 | 4.2 + 4.2 + 4.2 |
|  | Starting Method                          |                          | Soft start |                                       |                          |                 |                 |                 |
| Sound level                            | Cooling                                  | Sound Pressure (Nominal) | dBA        | 55                                    |                          |                 |                 |                 |
| Inlet water temperature                | Cooling                                  | Min~Max                  | °CDB       | 10-45                                 |                          |                 |                 |                 |
|  | Heating                                  | Min~Max                  | °CWB       | 10-45                                 |                          |                 |                 |                 |
| Refrigerant                            | Name                                     |                          |            | R-410A                                |                          |                 |                 |                 |
|  | Charge                                   | kg                       |            | 3.5 + 3.5 + 3.5                       | 4.2 + 3.5 + 3.5          | 4.2 + 4.2 + 3.5 | 4.2 + 4.2 + 4.2 |                 |
|  | Control                                  |                          |            | Expansion valve (electronic type)     |                          |                 |                 |                 |
| Refrigerant Oil                        | Name                                     |                          |            | Synthetic (ether) oil                 |                          |                 |                 |                 |
| Piping connections                     | Liquid (OD)                              | Type                     |            | Flare connection                      |                          |                 |                 |                 |
|  |  | Diameter (OD)            | mm         | 15.9                                  | 19.1                     | 19.1            | 19.1            |                 |
|  | Gas (in case of heat recovery)           | Type                     |            | Braze connection                      |                          |                 |                 |                 |
|  |  | Diameter (OD)            | mm         |                                       | 34.9                     |                 |                 |                 |
|  | Discharge Gas (in case of heat recovery) | Type                     |            | Braze connection                      |                          |                 |                 |                 |
|  |  | Diameter (OD)            | mm         |                                       | 28.6                     |                 |                 |                 |
|  | Discharge Gas (in case of heat pump)     | Type                     |            | Braze connection                      |                          |                 |                 |                 |
|  |  | Diameter (OD)            | mm         |                                       | 34.9                     |                 |                 |                 |
|  | Water inlet                              |                          |            |                                       | PT1 1/4B internal thread |                 |                 |                 |
|  | Water outlet                             |                          |            |                                       | PT1 1/4B internal thread |                 |                 |                 |
| Drain outlet                           |  |                          |            | PS 1/2B internal thread               |                          |                 |                 |                 |
| Max total length                       |  |                          | m          | 300                                   |                          |                 |                 |                 |
| Level difference OU-IU                 |  |                          | m          | 50 (outdoor unit in highest position) |                          |                 |                 |                 |
| Max n° of indoor units to be connected |  |                          |            | 36                                    |                          |                 |                 |                 |

# 1 Specifications

| 1-2 Technical Specifications |                      | RWEYQ24PY1  | RWEYQ26PY1  | RWEYQ28PY1  | RWEYQ30PY1  |   |
|------------------------------|----------------------|---|---|---|---|---|
| Capacity Control             |                      | 8 to 100  |   |   |   |   |
| Safety devices               |                      | HPS   |   |   |   |   |
|                              |                      | Inverter overload protector   |   |   |   |   |
|                              |                      | Fusible plugs   |   |   |   |   |
| Standard Accessories         | Standard Accessories | Installation manual   |   |   |   |   |
|                              |                      | Operation manual  |   |   |   |   |
|                              |                      | Connection pipes  |   |   |   |   |
|                              |                      | Cramps  |   |   |   |   |
| Notes                        |                      | Nominal cooling capacities are based on : indoor temperature : 27°CDB, 19°CWB, inlet water temperature : 30°C, equivalent refrigerant piping : 7.5m, level difference : 0m. |   |   |   |   |
|                              |                      | Nominal heating capacities are based on : indoor temperature : 20°CDB, inlet water temperature : 20°C, equivalent refrigerant piping : 7.5m, level difference : 0m          |   |   |   |   |
|                              |                      | This unit should not be installed outdoors, but indoors eg. in a machine room, etc.   |   |   |   |   |
|                              |                      | Hold ambient temperature at 0-40°C and humidity at 80%RH or less. Heat rejection from the casing: 0.64kW/8HP  | Hold ambient temperature at 0-40°C and humidity at 80%RH or less. Heat rejection from the casing: 0.64kW/8HP  | Hold ambient temperature at 0-40°C and humidity at 80%RH or less. Heat rejection from the casing: 0.64kW/8HP  | Hold ambient temperature at 0-40°C and humidity at 80%RH or less. Heat rejection from the casing: 0.71kW/10HP | Hold ambient temperature at 0-40°C and humidity at 80%RH or less. Heat rejection from the casing: 0.71kW/10HP |
|                              |                      |   | Hold ambient temperature at 0-40°C and humidity at 80%RH or less. Heat rejection from the casing: 0.71kW/10HP | Hold ambient temperature at 0-40°C and humidity at 80%RH or less. Heat rejection from the casing: 0.71kW/10HP |   |   |

# 1 Specifications

| 1-3 Electrical Specifications (50Hz) |                               |    | RWEYQ8PY1  | RWEYQ10PY1 | RWEYQ16PY1 | RWEYQ18PY1 | RWEYQ20PY1 |
|--------------------------------------|-------------------------------|----|--|------------|------------|------------|------------|
| Power Supply                         | Name                          |    | Y1   |            |            |            |            |
|                                      | Phase                         |    | 3~   |            |            |            |            |
|                                      | Frequency                     | Hz | 50   |            |            |            |            |
|                                      | Voltage                       | V  | 380-415  |            |            |            |            |
| Current                              | Maximum Running Current       | A  | 7.2  | 9.5        | 7.2 + 7.2  | 7.2 + 9.5  | 9.5 + 9.5  |
|                                      | Minimum circuit amps (MCA)    | A  | 12.6   | 12.6       | 25.3       | 25.3       | 25.3       |
|                                      | Maximum fuse amps (MFA)       | A  | 25   | 25         | 35         | 35         | 35         |
|                                      | Total overcurrent amps (TOCA) | A  | 13.5   | 13.5       | 27.0       | 27.0       | 27.0       |
| Voltage range                        | Minimum                       | V  | 342  | 342        | 342        | 342        | 342        |
|                                      | Maximum                       | V  | 456  | 456        | 456        | 456        | 456        |
| Notes                                |                               |    | RLA is based on the following conditions: Indoor: 27° CDB, 19° CWB, Inlet water: 30°C  |            |            |            |            |
|                                      |                               |    | TOCA means the total value of each OC set  |            |            |            |            |
|                                      |                               |    | MSC means the maximum current during start up of the compressor  |            |            |            |            |
|                                      |                               |    | Voltage range : units are suitable for use on electrical systems where voltage supplied to unit terminal is not below or above listed range limits |            |            |            |            |
|                                      |                               |    | Maximum allowable voltage range variation between phases is 2%   |            |            |            |            |
|                                      |                               |    | Select wire size based on the larger value of MCA or TOCA  |            |            |            |            |
|                                      |                               |    | MFA is used to select the circuit breaker and the ground fault circuit interrupter (earth leakage circuit breaker)                                 |            |            |            |            |

| 1-3 Electrical Specifications (50Hz) |                               |    | RWEYQ24PY1   | RWEYQ26PY1      | RWEYQ28PY1      | RWEYQ30PY1      |
|--------------------------------------|-------------------------------|----|--|-----------------|-----------------|-----------------|
| Power Supply                         | Name                          |    | Y1   |                 |                 |                 |
|                                      | Phase                         |    | 3~   |                 |                 |                 |
|                                      | Frequency                     | Hz | 50   |                 |                 |                 |
|                                      | Voltage                       | V  | 380-415  |                 |                 |                 |
| Current                              | Maximum Running Current       | A  | 7.2 + 7.2 + 7.2  | 7.2 + 7.2 + 9.5 | 7.2 + 9.5 + 9.5 | 9.5 + 9.5 + 9.5 |
|                                      | Minimum circuit amps (MCA)    | A  | 37.9   | 37.9            | 37.9            | 37.9            |
|                                      | Maximum fuse amps (MFA)       | A  | 45   | 45              | 45              | 45              |
|                                      | Total overcurrent amps (TOCA) | A  | 40.5   | 40.5            | 40.5            | 40.5            |
| Voltage range                        | Minimum                       | V  | 342  | 342             | 342             | 342             |
|                                      | Maximum                       | V  | 456  | 456             | 456             | 456             |
| Notes                                |                               |    | RLA is based on the following conditions: Indoor: 27° CDB, 19° CWB, Inlet water: 30°C  |                 |                 |                 |
|                                      |                               |    | TOCA means the total value of each OC set  |                 |                 |                 |
|                                      |                               |    | MSC means the maximum current during start up of the compressor  |                 |                 |                 |
|                                      |                               |    | Voltage range : units are suitable for use on electrical systems where voltage supplied to unit terminal is not below or above listed range limits |                 |                 |                 |
|                                      |                               |    | Maximum allowable voltage range variation between phases is 2%   |                 |                 |                 |
|                                      |                               |    | Select wire size based on the larger value of MCA or TOCA  |                 |                 |                 |
|                                      |                               |    | MFA is used to select the circuit breaker and the ground fault circuit interrupter (earth leakage circuit breaker)                                 |                 |                 |                 |

## 2 Electrical data

### RWEYQ-P

| Models     | Units |       |      |      | Power supply |      |     | Input (W) |             |
|------------|-------|-------|------|------|--------------|------|-----|-----------|-------------|
|            | Hz    | Volts | min. | max. | MCA          | TOCA | MFA | MSC       | RLA         |
| RWEYQ8PY1  | 50    | 380   | 342  | 456  | 12.6         | 13.5 | 25  | -         | 7.5         |
|            |       | 400   |      |      |              |      |     | -         | 7.2         |
|            |       | 415   |      |      |              |      |     | -         | 6.9         |
| RWEYQ10PY1 | 50    | 380   | 342  | 456  | 12.6         | 13.5 | 25  | -         | 9.9         |
|            |       | 400   |      |      |              |      |     | -         | 9.5         |
|            |       | 415   |      |      |              |      |     | -         | 9.1         |
| RWEYQ16PY1 | 50    | 380   | 342  | 456  | 25.3         | 27.0 | 35  | -         | 7.5+7.5     |
|            |       | 400   |      |      |              |      |     | -         | 7.2+7.2     |
|            |       | 415   |      |      |              |      |     | -         | 6.9+6.9     |
| RWEYQ18PY1 | 50    | 380   | 342  | 456  | 25.3         | 27.0 | 35  | -         | 7.5+9.9     |
|            |       | 400   |      |      |              |      |     | -         | 7.2+9.5     |
|            |       | 415   |      |      |              |      |     | -         | 6.9+9.1     |
| RWEYQ20PY1 | 50    | 380   | 342  | 456  | 25.3         | 27.0 | 35  | -         | 9.9+9.9     |
|            |       | 400   |      |      |              |      |     | -         | 9.5+9.5     |
|            |       | 415   |      |      |              |      |     | -         | 9.1+9.1     |
| RWEYQ24PY1 | 50    | 380   | 342  | 456  | 37.9         | 40.5 | 45  | -         | 7.5+7.5+7.5 |
|            |       | 400   |      |      |              |      |     | -         | 7.2+7.2+7.2 |
|            |       | 415   |      |      |              |      |     | -         | 6.9+6.9+6.9 |
| RWEYQ26PY1 | 50    | 380   | 342  | 456  | 37.9         | 40.5 | 45  | -         | 7.5+7.5+9.9 |
|            |       | 400   |      |      |              |      |     | -         | 7.2+7.2+9.5 |
|            |       | 415   |      |      |              |      |     | -         | 6.9+6.9+9.1 |
| RWEYQ28PY1 | 50    | 380   | 342  | 456  | 37.9         | 40.5 | 45  | -         | 7.5+9.9+9.9 |
|            |       | 400   |      |      |              |      |     | -         | 7.2+9.5+9.5 |
|            |       | 415   |      |      |              |      |     | -         | 6.9+9.1+9.1 |
| RWEYQ30PY1 | 50    | 380   | 342  | 456  | 37.9         | 40.5 | 45  | -         | 9.9+9.9+9.9 |
|            |       | 400   |      |      |              |      |     | -         | 9.5+9.5+9.5 |
|            |       | 415   |      |      |              |      |     | -         | 9.1+9.1+9.1 |

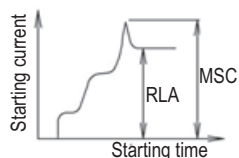
3D048287B

#### SYMBOLS

- 1 MCA: Min. Circuit Amps. (A)  
TOCA: Total Over-current Amps (A)  
MFA: Max. Fuse Amps (A)  
MSC: Max. Starting current  
RLA: Rated Load Amps. (A)

#### NOTES

- 2 RLA is based on the following conditions.  
Indoor temp.: 27°C DB, 19°C WB  
Inlet water temp. / 30°C
- 3 TOCA means the total value of each OC set.
- 4 MSC means the max. current during the starting of compressor.
- 5 Voltage range  
Units are suitable for use on electrical systems where voltage supplied to unit terminal is not below or above listed range limits.
- 6 Maximum allowable voltage variation between phases is 2%.
- 7 Select wire size based on the larger value of MCA or TOCA.
- 8 MFA is used to select the circuit breaker and the ground fault circuit interrupter (earth leakage circuit breaker).





### 3 Options

#### 3 - 1 Option list

| RWEYQ-P                                   | Models                  |   |                        |
|---|-------------------------|---|------------------------|
|   | RWEYQ8,10PY1            | RWEYQ16,18,20PY1                                | RWEYQ24,26,28,30PY1    |
| Optional accessories                      |                         | KRC19-26A6                                      |                        |
| Cool / Heat selector                      |                         | KJB111A   |                        |
| Fixing box                                |                         |   |                        |
| Refnet header - heat recovery             | KHRQ23M29H              | KHRQ23M29H, KHRQ23M64H, KHRQ23M75H              |                        |
| Refnet header - heat pump                 | KHRQ22M29H              | KHRQ22M29H, KHRQ22M64H, KHRQ22M75H              |                        |
| Refnet joint - heat recovery              | KHRQ23M20T, KHRQ23M29T9 | KHRQ23M20T, KHRQ23M29T9, KHRQ23M64T, KHRQ23M75T |                        |
| Refnet joint - heat pump                  | KHRQ22M20T, KHRQ22M29T9 | KHRQ22M20T, KHRQ22M29T9, KHRQ22M64T, KHRQ22M75T |                        |
| Outside unit multi connection piping kit  | -                       | BHFP22MA56, BHFP26MA56                          | BHFP22MA84, BHFP26MA84 |
| External control adapter for outdoor unit |                         | DTA104A62                                       |                        |
| Strainer kit                              |                         | BWU26A15, BWU26A20                              |                        |

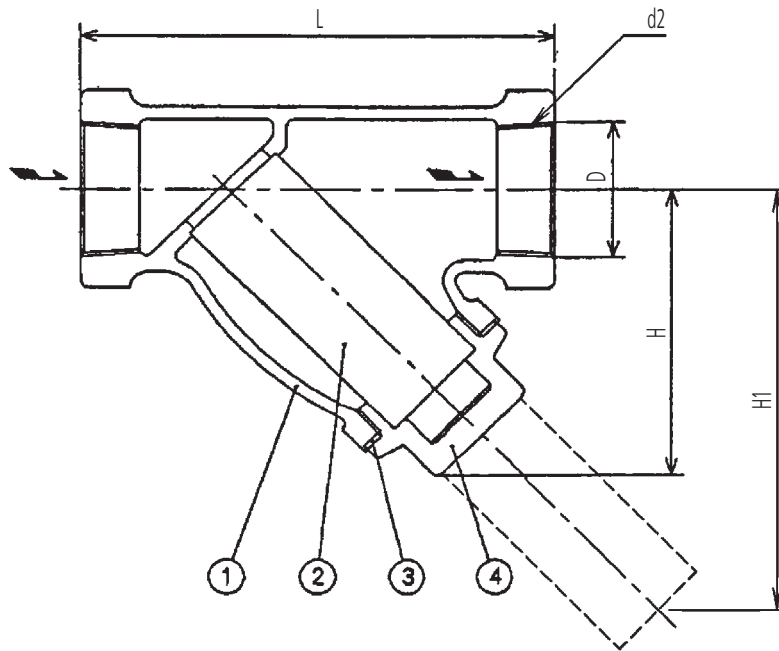
3D062157

#### NOTES

- 1 Refer to the latest drawing.
- 2 In the case of heat recovery system, COOL/HEAT selector cannot be connected.

#### 3 - 2 Water piping strainer (BWU26A15/BWU26A20)

##### 3 - 2 - 1 Dimension



|          | Dimension |    |     |         |     | Material |        |                         |         |
|----------|-----------|----|-----|---------|-----|----------|--------|-------------------------|---------|
|          | Diameter  | H  | L   | d2      | H1  | ①        | ②      | ③                       | ④       |
| BWU26A15 | 1 1/4     | 82 | 135 | RC1 1/4 | 130 | CAC      | SUS304 | Non Abestos Casket      | C377BEE |
| BWU26A20 | 1 1/4     | 90 | 135 | RC1 1/4 | 130 | FCD-S    | SUS304 | Non Abestos Seet Gasket | C3771BE |

##### 3 - 2 - 2 Specification

Use fluid: Pluse water of 100°C or less

Use temperature: 0°C ~ 70°C

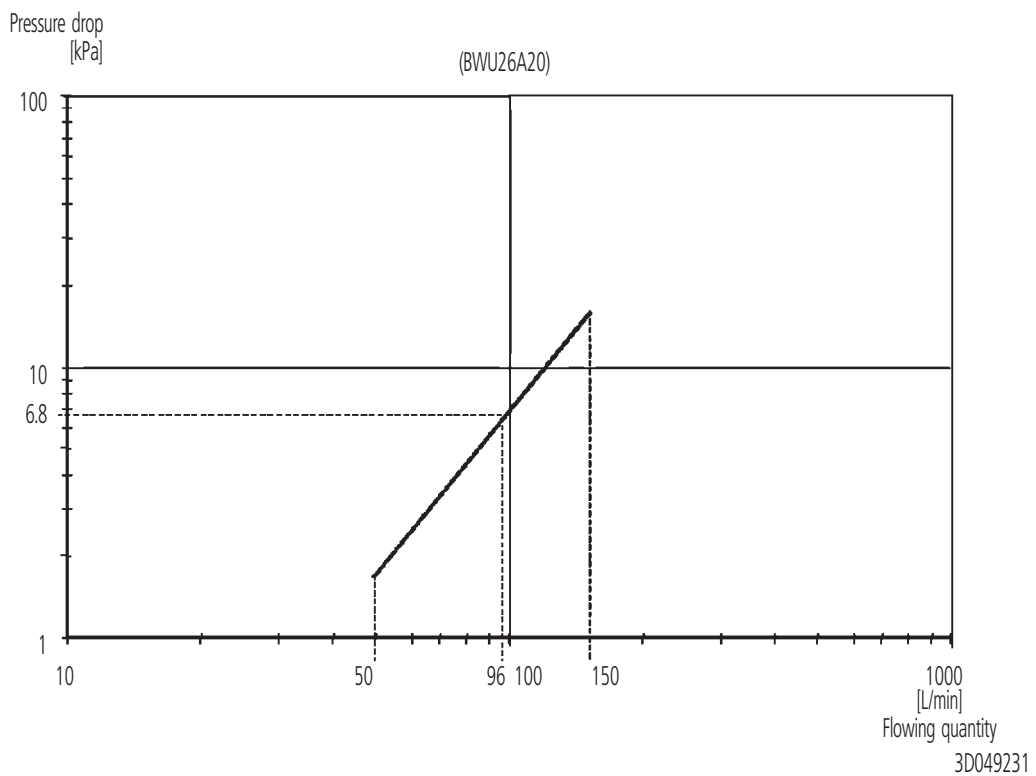
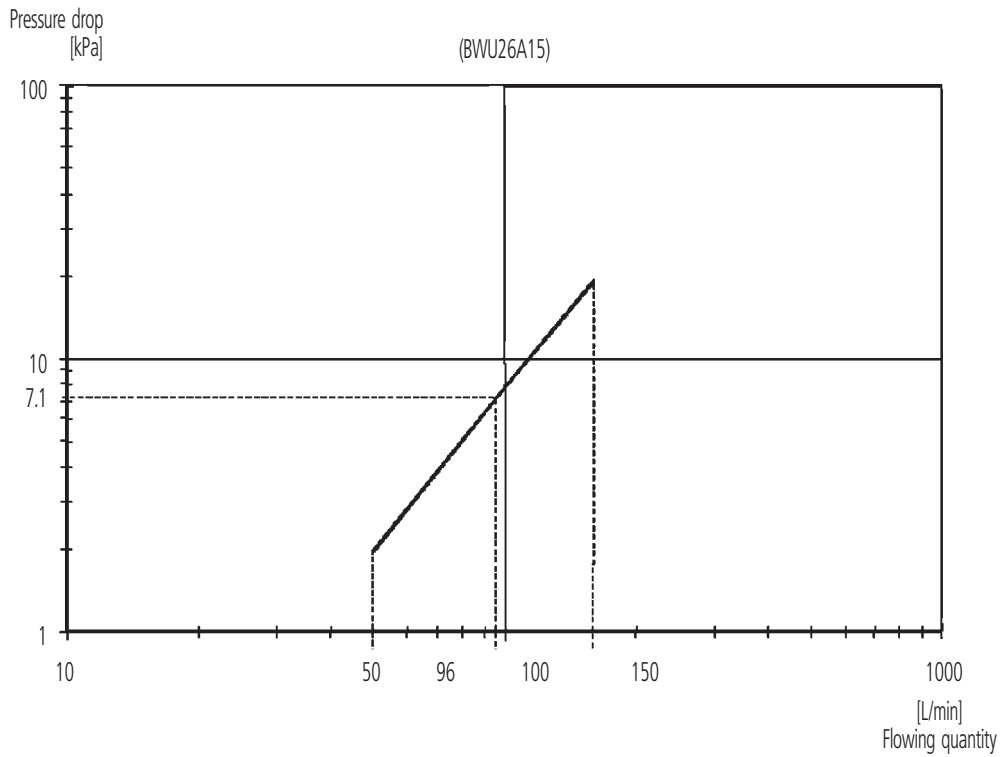
Design pressure: BWU26A15 (1.4 Mpa), BWU26A20 (1.96 Mpa)

Mesh size: 50 mesh

### 3 Options

#### 3 - 2 Water piping strainer (BWU26A15/BWU26A20)

##### 3 - 2 - 3 Flowing quantity characteristic



## 4 Capacity tables

### 4 - 1 Water flow head loss

**RWEYQ-P**

**Water Flow Head loss**

|              |                   |     |      |      |      |      |      |
|--------------|-------------------|-----|------|------|------|------|------|
| Water volume | L/min             | 50  | 60   | 80   | 96   | 120  | 140  |
| Head loss    | kPa               | 9.3 | 12.9 | 30.9 | 26.5 | 47.2 | 72.2 |
|              | mH <sub>2</sub> O | 1.0 | 1.3  | 3.2  | 2.7  | 4.8  | 7.4  |

\* This value shows the amount of head loss per one unit.

CA08A496A

# 4 Capacity tables

## 4 - 2 Cooling capacity tables

| RWEYQ8PY1           |                                 |                                     | TC: Total Capacity: kW ; PI: Power Input: kW (compressor + outdoor fan motor) ; OWT: Outlet Water Temperatur: °C |      |      |      |      |      |      |      |      |      |      |      |      |      |      |      |      |      |      |      |      |  |  |  |
|---------------------|---------------------------------|-------------------------------------|--|------|------|------|------|------|------|------|------|------|------|------|------|------|------|------|------|------|------|------|------|--|--|--|
| Combinatio<br>n (%) | Inlet<br>Water<br>Temp.<br>(°C) | Water<br>Volume<br>(note2)<br>L/min | Indoor air temperature: °CWB   |      |      |      |      |      |      |      |      |      |      |      |      |      |      |      |      |      |      |      |      |  |  |  |
|                     |                                 |                                     | 14.0   |      |      | 16.0 |      |      | 18.0 |      |      | 19.0 |      |      | 20.0 |      |      | 22.0 |      |      | 24.0 |      |      |  |  |  |
|                     |                                 |                                     | TC   | PI   | OWT  | TC   | PI   | OWT  | TC   | PI   | OWT  | TC   | PI   | OWT  | TC   | PI   | OWT  | TC   | PI   | OWT  | TC   | PI   | OWT  |  |  |  |
| 130                 | 10                              | 50                                  | 19.7   | 2.62 | 16.4 | 23.4 | 3.49 | 17.7 | 25.6 | 3.69 | 18.4 | 26.0 | 3.71 | 18.5 | 26.3 | 3.73 | 26.9 | 3.75 | 18.8 | 27.4 | 3.76 | 18.9 |      |  |  |  |
|                     |                                 | 60                                  | 19.7   | 2.57 | 15.3 | 23.4 | 3.43 | 16.4 | 25.7 | 3.66 | 17.0 | 26.1 | 3.67 | 17.1 | 26.5 | 3.69 | 17.2 | 27.1 | 3.71 | 17.4 | 27.5 | 3.73 | 17.5 |  |  |  |
|                     |                                 | 120                                 | 19.7   | 2.45 | 13.3 | 23.4 | 3.25 | 14.0 | 26.1 | 3.56 | 14.4 | 26.4 | 3.57 | 14.5 | 26.8 | 3.59 | 14.5 | 27.4 | 3.61 | 14.6 | 27.9 | 3.63 | 14.7 |  |  |  |
|                     | 15                              | 50                                  | 19.7   | 2.72 | 21.4 | 23.4 | 3.62 | 22.8 | 25.2 | 3.80 | 23.3 | 25.5 | 3.82 | 23.4 | 25.9 | 3.84 | 23.5 | 26.4 | 3.86 | 23.7 | 26.9 | 3.87 | 23.8 |  |  |  |
|                     |                                 | 60                                  | 19.7   | 2.67 | 20.3 | 23.4 | 3.55 | 21.4 | 25.3 | 3.76 | 21.9 | 25.6 | 3.78 | 22.0 | 26.0 | 3.80 | 22.1 | 26.5 | 3.82 | 22.3 | 27.0 | 3.83 | 22.4 |  |  |  |
|                     |                                 | 120                                 | 19.7   | 2.53 | 18.3 | 23.4 | 3.37 | 19.0 | 25.6 | 3.66 | 19.4 | 26.0 | 3.68 | 19.4 | 26.3 | 3.69 | 19.5 | 26.9 | 3.72 | 19.6 | 27.4 | 3.73 | 19.6 |  |  |  |
|                     | 20                              | 50                                  | 19.7   | 2.82 | 26.4 | 23.4 | 3.76 | 27.8 | 24.6 | 3.91 | 28.2 | 24.9 | 3.93 | 28.3 | 25.2 | 3.94 | 28.4 | 25.8 | 3.97 | 28.5 | 26.2 | 3.98 | 28.6 |  |  |  |
|                     |                                 | 60                                  | 19.7   | 2.77 | 25.4 | 23.4 | 3.69 | 26.5 | 24.7 | 3.87 | 26.8 | 25.0 | 3.89 | 26.9 | 25.4 | 3.91 | 27.0 | 25.9 | 3.93 | 27.1 | 26.3 | 3.94 | 27.2 |  |  |  |
|                     |                                 | 120                                 | 19.7   | 2.63 | 23.3 | 23.4 | 3.50 | 24.0 | 25.0 | 3.77 | 24.3 | 25.4 | 3.78 | 24.4 | 25.7 | 3.80 | 24.4 | 26.2 | 3.82 | 24.5 | 26.7 | 3.84 | 24.6 |  |  |  |
|                     | 25                              | 50                                  | 19.7   | 3.33 | 31.7 | 23.1 | 4.30 | 32.8 | 23.8 | 4.35 | 33.1 | 24.2 | 4.37 | 33.2 | 24.5 | 4.38 | 33.3 | 25.0 | 4.41 | 33.4 | 25.3 | 4.42 | 33.5 |  |  |  |
|                     |                                 | 60                                  | 19.7   | 3.27 | 30.5 | 23.2 | 4.26 | 31.6 | 24.0 | 4.31 | 31.8 | 24.3 | 4.33 | 31.8 | 24.6 | 4.34 | 31.9 | 25.1 | 4.36 | 32.0 | 25.4 | 4.38 | 32.1 |  |  |  |
|                     |                                 | 120                                 | 19.7   | 3.10 | 28.4 | 23.4 | 4.13 | 29.1 | 24.3 | 4.19 | 29.2 | 24.6 | 4.21 | 29.3 | 24.8 | 4.22 | 29.3 | 25.4 | 4.25 | 29.4 | 25.8 | 4.26 | 29.5 |  |  |  |
| 30                  | 50                              | 19.7                                | 3.94   | 36.8 | 22.3 | 4.74 | 37.7 | 23.0 | 4.79 | 38.0 | 23.7 | 4.81 | 38.1 | 23.5 | 4.83 | 38.1 | 24.0 | 4.85 | 38.3 | 24.2 | 4.85 | 38.3 |      |  |  |  |
|                     | 60                              | 19.7                                | 3.87   | 35.6 | 22.4 | 4.69 | 36.5 | 23.1 | 4.74 | 36.6 | 23.4 | 4.76 | 36.7 | 23.7 | 4.78 | 36.8 | 24.1 | 4.80 | 36.9 | 24.4 | 4.81 | 37.0 |      |  |  |  |
|                     | 120                             | 19.7                                | 3.67   | 33.5 | 22.6 | 4.57 | 34.1 | 23.4 | 4.61 | 34.2 | 23.7 | 4.63 | 34.2 | 24.0 | 4.65 | 34.3 | 24.4 | 4.67 | 34.3 | 24.7 | 4.68 | 34.4 |      |  |  |  |
| 35                  | 50                              | 19.7                                | 4.71   | 42.0 | 21.3 | 5.18 | 42.6 | 21.9 | 5.23 | 42.8 | 22.2 | 5.25 | 42.9 | 22.5 | 5.27 | 42.9 | 22.8 | 5.28 | 43.1 | 23.0 | 5.28 | 43.1 |      |  |  |  |
|                     | 60                              | 19.7                                | 4.62   | 40.8 | 21.4 | 5.13 | 41.3 | 22.1 | 5.18 | 41.5 | 22.3 | 5.20 | 41.6 | 22.6 | 5.22 | 41.6 | 22.9 | 5.23 | 41.7 | 23.1 | 5.23 | 41.8 |      |  |  |  |
|                     | 120                             | 19.7                                | 4.30   | 37.9 | 21.8 | 4.94 | 38.2 | 22.4 | 4.99 | 38.3 | 22.7 | 5.01 | 38.3 | 23.0 | 5.02 | 38.3 | 23.4 | 5.04 | 38.4 | 23.6 | 5.04 | 38.4 |      |  |  |  |
| 40                  | 50                              | 16.0                                | 3.82   | 45.7 | 16.5 | 3.85 | 45.8 | 16.7 | 3.86 | 45.9 | 16.8 | 3.85 | 45.9 | 16.8 | 3.84 | 45.9 | 16.6 | 3.80 | 45.9 | 16.6 | 3.74 | 45.7 |      |  |  |  |
|                     | 60                              | 16.8                                | 4.13   | 45.0 | 17.4 | 4.17 | 45.1 | 17.7 | 4.18 | 45.2 | 17.8 | 4.18 | 45.3 | 17.9 | 4.18 | 45.3 | 17.8 | 4.15 | 45.3 | 17.6 | 4.10 | 45.2 |      |  |  |  |
|                     | 120                             | 19.3                                | 4.54   | 42.8 | 20.0 | 4.60 | 42.9 | 20.6 | 4.64 | 43.0 | 20.8 | 4.65 | 43.0 | 21.0 | 4.66 | 43.1 | 21.2 | 4.66 | 43.1 | 21.3 | 4.65 | 43.1 |      |  |  |  |
| 45                  | 50                              | 11.2                                | 2.41   | 48.9 | 11.1 | 2.38 | 48.9 | 10.6 | 2.31 | 48.7 | 10.3 | 2.26 | 48.6 | 9.83 | 2.21 | 48.5 | 9.73 | 2.07 | 48.1 | 7.32 | 1.90 | 47.6 |      |  |  |  |
|                     | 60                              | 12.3                                | 2.66   | 48.6 | 12.3 | 2.64 | 48.6 | 12.1 | 2.60 | 48.5 | 11.8 | 2.56 | 48.4 | 11.5 | 2.52 | 48.4 | 10.7 | 2.41 | 48.1 | 9.56 | 2.27 | 47.8 |      |  |  |  |
|                     | 120                             | 15.3                                | 3.50   | 47.8 | 15.7 | 3.52 | 47.9 | 15.9 | 3.52 | 47.9 | 15.9 | 3.51 | 47.9 | 15.9 | 3.49 | 47.9 | 15.6 | 3.44 | 47.8 | 15.1 | 3.37 | 47.8 |      |  |  |  |
| 120                 | 10                              | 50                                  | 18.1   | 2.31 | 15.9 | 21.6 | 3.06 | 17.1 | 25.1 | 3.67 | 18.3 | 25.5 | 3.69 | 18.4 | 25.9 | 3.71 | 18.5 | 26.5 | 3.73 | 18.7 | 27.0 | 3.75 | 18.8 |  |  |  |
|                     |                                 | 60                                  | 18.1   | 2.27 | 14.9 | 21.6 | 3.01 | 15.9 | 25.1 | 3.63 | 16.9 | 25.7 | 3.65 | 17.0 | 26.0 | 3.67 | 17.1 | 26.6 | 3.70 | 17.2 | 27.2 | 3.72 | 17.4 |  |  |  |
|                     |                                 | 120                                 | 18.1   | 2.16 | 13.0 | 21.6 | 2.85 | 13.7 | 25.1 | 3.51 | 14.3 | 26.0 | 3.55 | 14.4 | 26.3 | 3.57 | 14.5 | 27.0 | 3.60 | 14.6 | 27.5 | 3.62 | 14.7 |  |  |  |
|                     | 15                              | 50                                  | 18.1   | 2.12 | 12.4 | 21.6 | 2.80 | 12.9 | 25.1 | 3.47 | 13.4 | 26.1 | 3.52 | 13.5 | 26.5 | 3.53 | 13.6 | 27.1 | 3.56 | 13.7 | 27.7 | 3.58 | 13.7 |  |  |  |
|                     |                                 | 60                                  | 18.1   | 2.39 | 20.9 | 21.6 | 3.17 | 22.1 | 24.7 | 3.78 | 23.2 | 25.1 | 3.80 | 23.3 | 25.4 | 3.82 | 23.4 | 26.2 | 3.84 | 23.6 | 26.5 | 3.86 | 23.7 |  |  |  |
|                     |                                 | 120                                 | 18.1   | 2.23 | 18.0 | 21.6 | 2.95 | 18.7 | 25.1 | 3.64 | 19.3 | 25.5 | 3.66 | 19.4 | 25.9 | 3.68 | 19.4 | 26.5 | 3.70 | 19.5 | 27.0 | 3.72 | 19.6 |  |  |  |
|                     | 20                              | 50                                  | 18.1   | 2.19 | 17.4 | 21.6 | 2.90 | 17.9 | 25.1 | 3.59 | 18.4 | 25.6 | 3.62 | 18.5 | 26.0 | 3.64 | 18.5 | 26.6 | 3.66 | 18.6 | 27.1 | 3.68 | 18.7 |  |  |  |
|                     |                                 | 60                                  | 18.1   | 2.49 | 25.9 | 21.6 | 3.30 | 27.1 | 24.1 | 3.89 | 28.0 | 24.5 | 3.91 | 28.1 | 24.8 | 3.93 | 28.2 | 25.4 | 3.95 | 28.4 | 25.9 | 3.97 | 28.6 |  |  |  |
|                     |                                 | 120                                 | 18.1   | 2.44 | 24.9 | 21.6 | 3.23 | 25.9 | 24.3 | 3.85 | 26.7 | 24.6 | 3.87 | 26.8 | 24.9 | 3.89 | 26.9 | 25.5 | 3.91 | 27.0 | 26.0 | 3.93 | 27.1 |  |  |  |
|                     | 25                              | 50                                  | 18.1   | 2.32 | 23.1 | 21.6 | 3.07 | 23.7 | 24.6 | 3.75 | 24.2 | 24.9 | 3.76 | 24.3 | 25.3 | 3.78 | 24.3 | 25.9 | 3.81 | 24.4 | 26.3 | 3.83 | 24.5 |  |  |  |
|                     |                                 | 60                                  | 18.1   | 2.28 | 22.4 | 21.6 | 3.01 | 22.9 | 24.7 | 3.71 | 23.4 | 25.0 | 3.72 | 23.4 | 25.4 | 3.74 | 23.5 | 26.0 | 3.77 | 23.6 | 26.5 | 3.79 | 23.6 |  |  |  |
|                     |                                 | 120                                 | 18.1   | 2.93 | 31.0 | 21.6 | 3.89 | 32.3 | 23.4 | 4.33 | 33.0 | 23.8 | 4.35 | 33.1 | 24.1 | 4.36 | 33.2 | 24.6 | 4.39 | 33.3 | 25.0 | 4.41 | 33.4 |  |  |  |
| 30                  | 50                              | 18.1                                | 2.87   | 30.0 | 21.6 | 3.82 | 31.1 | 23.5 | 4.28 | 31.6 | 23.9 | 4.30 | 31.7 | 24.2 | 4.32 | 31.8 | 24.7 | 4.35 | 32.0 | 25.2 | 4.37 | 32.1 |      |  |  |  |
|                     | 60                              | 18.1                                | 2.73   | 28.1 | 21.6 | 3.62 | 28.8 | 23.8 | 4.17 | 29.2 | 24.2 | 4.19 | 29.2 | 24.5 | 4.20 | 29.3 | 25.1 | 4.23 | 29.4 | 25.5 | 4.25 | 29.4 |      |  |  |  |
|                     | 120                             | 18.1                                | 2.68   | 27.5 | 21.6 | 3.55 | 28.0 | 23.9 | 4.12 | 28.4 | 24.3 | 4.14 | 28.4 | 24.6 | 4.16 | 28.4 | 25.2 | 4.19 | 28.5 | 25.6 | 4.21 | 28.6 |      |  |  |  |
| 35                  | 50                              | 18.1                                | 3.47   | 36.2 | 21.6 | 4.62 | 37.5 | 22.6 | 4.76 | 37.8 | 22.9 | 4.79 | 37.9 | 23.2 | 4.80 | 38.0 | 23.7 | 4.83 | 38.2 | 24.0 | 4.85 | 38.3 |      |  |  |  |
|                     | 60                              | 18.1                                | 3.40   | 35.1 | 21.6 | 4.53 | 36.3 | 22.7 | 4.72 | 36.5 | 23.0 | 4.74 | 36.6 | 23.3 | 4.76 | 36.7 | 23.8 | 4.79 | 36.8 | 24.2 | 4.80 | 36.9 |      |  |  |  |
|                     | 120                             | 18.1                                | 3.23   | 33.2 | 21.6 | 4.30 | 33.9 | 23.0 | 4.59 | 34.1 | 23.3 | 4.61 | 34.2 | 23.6 | 4.63 | 34.2 | 24.1 | 4.66 | 34.3 | 24.5 | 4.67 | 34.4 |      |  |  |  |
| 40                  | 50                              | 18.1                                | 3.17   | 32.5 | 21.6 | 4.21 | 33.1 | 23.1 | 4.54 | 33.3 | 23.4 | 4.56 | 33.3 | 23.7 | 4.58 | 33.4 | 24.2 | 4.61 | 33.4 | 24.6 | 4.63 | 33.5 |      |  |  |  |
|                     | 60                              | 18.1                                | 4.13   | 41.4 | 20.9 | 5.15 | 42.5 | 21.6 | 5.21 | 42.7 | 21.9 | 5.23 | 42.8 | 22.2 | 5.25 | 42.9 | 22.6 | 5.27 | 43.0 | 22.9 | 5.28 | 43.1 |      |  |  |  |
|                     | 120                             | 18.1                                | 4.06   | 40.3 | 21.0 | 5.10 | 41.2 | 21.7 | 5.16 | 41.4 | 22.0 | 5.18 | 41.5 | 22.3 | 5.20 | 41.6 | 22.7 | 5.22 | 41.7 | 23.0 | 5.23 | 41.7 |      |  |  |  |
| 45                  | 50                              | 18.1                                | 3.85   | 38.3 | 21.3 | 4.96 | 38.9 | 22.0 | 5.02 | 39.0 | 22.3 | 5.04 | 39.1 | 22.6 | 5.06 | 39.1 | 23.0 | 5.08 | 39.2 | 23.3 | 5.10 | 39.2 |      |  |  |  |
|                     | 60                              | 15.7                                | 3.80   | 45.6 | 16.2 | 3.84 | 45.8 | 16.6 | 3.86 | 45.9 | 16.7 | 3.86 | 45.9 | 16.8 | 3.85 | 45.9 | 16.8 | 3.83 | 45.9 | 16.6 | 3.79 | 45.8 |      |  |  |  |
|                     | 120                             | 18.1                                | 4.10   | 44.9 | 17.1 | 4.15 | 45.1 | 17.6 | 4.18 | 45.2 | 17.7 | 4.18 | 45.2 | 17.8 | 4.18 | 45.3 | 17.9 | 4.17 | 45.3 | 17.8 | 4.14 | 45.2 |      |  |  |  |
| 110                 | 10                              | 50                                  | 11.1   | 2.42 | 48.9 | 11.2 | 2.40 | 48.9 | 10.9 | 2.35 | 48.8 | 10.7 | 2.32 | 48.7 | 10.4 | 2.28 | 48.6 | 9.54 | 2.17 | 48.4 | 8.45 | 2.04 | 48.0 |  |  |  |
|                     |                                 | 60                                  | 12.2   | 2.66 | 48.5 | 12.3 | 2.66 | 48.6 | 12.2 | 2.63 | 48.6 | 12.1 | 2.60 | 48.5 | 11.9 | 2.57 | 48.5 | 11.3 | 2.49 | 48.3 | 10.5 | 2.38 | 48.1 |  |  |  |
|                     |                                 | 120                                 | 15.1   | 3.48 | 47.8 | 15.5 | 3.51 | 47.8 | 15.8 | 3.52 | 47.9 | 15.9 | 3.52 | 47.9 | 15.9 | 3.51 | 47.9 | 15.8 | 3.48 | 47.9 | 15.5 | 3.43 | 47.8 |  |  |  |
|                     | 15                              | 50                                  | 16.6   | 2.02 | 15.3 | 19.8 | 2.66 | 16.4 | 23.0 | 3.40 | 17.6 | 24.6 | 3.64 | 18.1 | 25.4 | 3.68 | 18.3 | 26.1 | 3.71 | 18.5 | 26.6 | 3.74 | 18.7 |  |  |  |
|                     |                                 | 60                                  | 16.6   | 1.98 | 14.4 | 19.8 | 2.61 | 15.4 | 23.0 | 3.33 | 16.3 | 24.6 | 3.60 | 16.7 | 25.5 | 3.65 | 17.0 | 26.2 | 3.68 | 17.1 | 26.7 | 3.70 | 17.3 |  |  |  |
|                     |                                 | 120                                 | 16.6   | 1.89 | 12.8 | 19.8 | 2.48 | 13.3 | 23.0 | 3.16 | 13.9 | 24.6 | 3.48 | 14.2 | 25.8 | 3.55 | 14.4 | 26.5 | 3.58 | 14.5 | 27.1 | 3.60 | 14.6 |  |  |  |
|                     | 20                              | 50                                  | 16.6   | 1.85 | 12.2 | 19.8 | 2.43 | 12.7 | 23.0 | 3.10 | 13.1 | 24.6 | 3.44 | 13.4 | 26.0 | 3.51 | 13.5 | 26.6 | 3.54 | 13.6 | 27.2 | 3.56 | 13.7 |  |  |  |
|                     |                                 | 60                                  | 16.6   | 2.09 | 20.4 | 19.8 | 2.76 | 21.5 | 23.0 | 3.52 | 22.6 | 24.6 | 3.78 | 23.1 | 25.0 | 3.79 | 23.2 | 25.6 | 3.82 | 23.4 | 26.1 | 3.85 | 23.6 |  |  |  |
|                     |                                 | 120                                 | 16.6   | 2.05 | 19.5 | 19.8 | 2.70 | 20.4 | 23.0 | 3.45 | 21.3 | 24.6 | 3.73 | 21.8 |      |      |      |      |      |      |      |      |      |  |  |  |

# 4 Capacity tables

## 4 - 2 Cooling capacity tables

| RWEYQ8PY1       |                        |                            |                              | TC: Total Capacity: kW ; PI: Power Input: kW (compressor + outdoor fan motor) ; OWT: Outlet Water Temperatur: °C |      |      |      |      |      |      |      |      |      |      |      |      |      |      |      |      |      |      |      |      |      |      |      |      |      |      |      |      |      |      |      |      |      |      |      |      |      |      |      |      |      |      |      |      |      |      |      |      |      |      |      |      |      |      |      |      |      |      |      |      |      |      |      |      |      |      |      |      |      |      |      |      |      |      |      |      |      |      |      |      |      |      |      |      |      |      |      |      |      |      |      |      |      |      |      |      |      |      |      |      |      |      |      |
|-----------------|------------------------|----------------------------|------------------------------|--|------|------|------|------|------|------|------|------|------|------|------|------|------|------|------|------|------|------|------|------|------|------|------|------|------|------|------|------|------|------|------|------|------|------|------|------|------|------|------|------|------|------|------|------|------|------|------|------|------|------|------|------|------|------|------|------|------|------|------|------|------|------|------|------|------|------|------|------|------|------|------|------|------|------|------|------|------|------|------|------|------|------|------|------|------|------|------|------|------|------|------|------|------|------|------|------|------|------|------|------|------|------|------|
| Combination (%) | Inlet Water Temp. (°C) | Water Volume (note2) L/min | Indoor air temperature: °CWB |  |      |      |      |      |      |      |      |      |      |      |      |      |      |      |      |      |      |      |      |      |      |      |      |      |      |      |      |      |      |      |      |      |      |      |      |      |      |      |      |      |      |      |      |      |      |      |      |      |      |      |      |      |      |      |      |      |      |      |      |      |      |      |      |      |      |      |      |      |      |      |      |      |      |      |      |      |      |      |      |      |      |      |      |      |      |      |      |      |      |      |      |      |      |      |      |      |      |      |      |      |      |      |      |
|                 |                        |                            | 14.0                         |  |      |      |      |      | 16.0 |      |      |      |      |      | 18.0 |      |      |      |      |      | 19.0 |      |      |      |      |      | 20.0 |      |      |      |      |      | 22.0 |      |      |      |      |      | 24.0 |      |      |      |      |      |      |      |      |      |      |      |      |      |      |      |      |      |      |      |      |      |      |      |      |      |      |      |      |      |      |      |      |      |      |      |      |      |      |      |      |      |      |      |      |      |      |      |      |      |      |      |      |      |      |      |      |      |      |      |      |      |      |      |      |      |      |      |      |
|                 |                        |                            | TC                           | PI   | OWT  | TC   | PI   | OWT  | TC   | PI   | OWT  | TC   | PI   | OWT  | TC   | PI   | OWT  | TC   | PI   | OWT  | TC   | PI   | OWT  | TC   | PI   | OWT  | TC   | PI   | OWT  | TC   | PI   | OWT  |      |      |      |      |      |      |      |      |      |      |      |      |      |      |      |      |      |      |      |      |      |      |      |      |      |      |      |      |      |      |      |      |      |      |      |      |      |      |      |      |      |      |      |      |      |      |      |      |      |      |      |      |      |      |      |      |      |      |      |      |      |      |      |      |      |      |      |      |      |      |      |      |      |      |      |
| 100             | 10                     | 50                         | 15.1                         | 1.75   | 14.8 | 18.0 | 2.29 | 15.8 | 20.9 | 2.91 | 16.8 | 22.4 | 3.24 | 17.4 | 23.9 | 3.60 | 17.9 | 25.5 | 3.69 | 18.4 | 26.1 | 3.72 | 18.5 | 17.0 | 26.2 | 3.68 | 17.1 | 15.1 | 1.64 | 12.5 | 18.0 | 2.14 | 13.0 | 20.9 | 2.71 | 13.5 | 22.4 | 3.02 | 13.8 | 23.9 | 3.35 | 14.1 | 26.0 | 3.55 | 14.4 | 26.5 | 3.58 | 14.5 | 15.1 | 1.61 | 12.0 | 18.0 | 2.10 | 12.4 | 20.9 | 2.65 | 12.8 | 22.4 | 2.96 | 13.0 | 23.9 | 3.28 | 13.2 | 26.1 | 3.52 | 13.5 | 26.7 | 3.54 | 13.6 |      |      |      |      |      |      |      |      |      |      |      |      |      |      |      |      |      |      |      |      |      |      |      |      |      |      |      |      |      |      |      |      |      |      |      |      |      |      |
|                 |                        | 60                         | 15.1                         | 1.72   | 14.0 | 18.0 | 2.25 | 14.8 | 20.9 | 2.85 | 15.7 | 22.4 | 3.18 | 16.1 | 23.9 | 3.53 | 16.5 | 25.6 | 3.65 | 17.0 | 26.2 | 3.68 | 17.1 | 15.1 | 1.64 | 12.5 | 18.0 | 2.14 | 13.0 | 20.9 | 2.71 | 13.5 | 22.4 | 3.02 | 13.8 | 23.9 | 3.35 | 14.1 | 26.0 | 3.55 | 14.4 | 26.5 | 3.58 | 14.5 | 15.1 | 1.61 | 12.0 | 18.0 | 2.10 | 12.4 | 20.9 | 2.65 | 12.8 | 22.4 | 2.96 | 13.0 | 23.9 | 3.28 | 13.2 | 26.1 | 3.52 | 13.5 | 26.7 | 3.54 | 13.6 |      |      |      |      |      |      |      |      |      |      |      |      |      |      |      |      |      |      |      |      |      |      |      |      |      |      |      |      |      |      |      |      |      |      |      |      |      |      |      |      |      |      |
|                 |                        | 96                         | 15.1                         | 1.72   | 14.0 | 18.0 | 2.25 | 14.8 | 20.9 | 2.85 | 15.7 | 22.4 | 3.18 | 16.1 | 23.9 | 3.53 | 16.5 | 25.6 | 3.65 | 17.0 | 26.2 | 3.68 | 17.1 | 15.1 | 1.64 | 12.5 | 18.0 | 2.14 | 13.0 | 20.9 | 2.71 | 13.5 | 22.4 | 3.02 | 13.8 | 23.9 | 3.35 | 14.1 | 26.0 | 3.55 | 14.4 | 26.5 | 3.58 | 14.5 | 15.1 | 1.61 | 12.0 | 18.0 | 2.10 | 12.4 | 20.9 | 2.65 | 12.8 | 22.4 | 2.96 | 13.0 | 23.9 | 3.28 | 13.2 | 26.1 | 3.52 | 13.5 | 26.7 | 3.54 | 13.6 |      |      |      |      |      |      |      |      |      |      |      |      |      |      |      |      |      |      |      |      |      |      |      |      |      |      |      |      |      |      |      |      |      |      |      |      |      |      |      |      |      |      |
|                 |                        | 120                        | 15.1                         | 1.72   | 14.0 | 18.0 | 2.25 | 14.8 | 20.9 | 2.85 | 15.7 | 22.4 | 3.18 | 16.1 | 23.9 | 3.53 | 16.5 | 25.6 | 3.65 | 17.0 | 26.2 | 3.68 | 17.1 | 15.1 | 1.64 | 12.5 | 18.0 | 2.14 | 13.0 | 20.9 | 2.71 | 13.5 | 22.4 | 3.02 | 13.8 | 23.9 | 3.35 | 14.1 | 26.0 | 3.55 | 14.4 | 26.5 | 3.58 | 14.5 | 15.1 | 1.61 | 12.0 | 18.0 | 2.10 | 12.4 | 20.9 | 2.65 | 12.8 | 22.4 | 2.96 | 13.0 | 23.9 | 3.28 | 13.2 | 26.1 | 3.52 | 13.5 | 26.7 | 3.54 | 13.6 |      |      |      |      |      |      |      |      |      |      |      |      |      |      |      |      |      |      |      |      |      |      |      |      |      |      |      |      |      |      |      |      |      |      |      |      |      |      |      |      |      |      |
|                 | 15                     | 50                         | 15.1                         | 1.81   | 19.9 | 18.0 | 2.37 | 20.8 | 20.9 | 3.01 | 21.9 | 22.4 | 3.36 | 22.4 | 23.9 | 3.72 | 22.9 | 25.1 | 3.80 | 23.3 | 25.6 | 3.83 | 23.4 | 15.1 | 1.78 | 19.9 | 18.0 | 2.33 | 19.9 | 20.9 | 2.95 | 20.7 | 22.4 | 3.29 | 21.1 | 23.9 | 3.65 | 21.6 | 25.2 | 3.76 | 21.9 | 25.7 | 3.79 | 22.1 | 15.1 | 1.69 | 17.5 | 18.0 | 2.21 | 18.0 | 20.9 | 2.80 | 18.5 | 22.4 | 3.12 | 18.8 | 23.9 | 3.47 | 19.1 | 25.5 | 3.66 | 19.4 | 26.1 | 3.68 | 19.4 | 15.1 | 1.66 | 17.0 | 18.0 | 2.17 | 17.4 | 20.9 | 2.75 | 17.8 | 22.4 | 3.06 | 18.0 | 23.9 | 3.40 | 18.3 | 25.6 | 3.62 | 18.5 | 26.2 | 3.65 | 18.6 |      |      |      |      |      |      |      |      |      |      |      |      |      |      |      |      |      |      |      |      |      |
|                 |                        | 60                         | 15.1                         | 1.85   | 24.1 | 18.0 | 2.42 | 24.9 | 20.9 | 3.07 | 25.7 | 22.4 | 3.42 | 26.2 | 23.9 | 3.80 | 26.6 | 24.6 | 3.87 | 26.8 | 25.1 | 3.90 | 26.9 | 15.1 | 1.78 | 19.9 | 18.0 | 2.33 | 19.9 | 20.9 | 2.95 | 20.7 | 22.4 | 3.29 | 21.1 | 23.9 | 3.65 | 21.6 | 25.2 | 3.76 | 21.9 | 25.7 | 3.79 | 22.1 | 15.1 | 1.69 | 17.5 | 18.0 | 2.21 | 18.0 | 20.9 | 2.80 | 18.5 | 22.4 | 3.12 | 18.8 | 23.9 | 3.47 | 19.1 | 25.5 | 3.66 | 19.4 | 26.1 | 3.68 | 19.4 | 15.1 | 1.66 | 17.0 | 18.0 | 2.17 | 17.4 | 20.9 | 2.75 | 17.8 | 22.4 | 3.06 | 18.0 | 23.9 | 3.40 | 18.3 | 25.6 | 3.62 | 18.5 | 26.2 | 3.65 | 18.6 |      |      |      |      |      |      |      |      |      |      |      |      |      |      |      |      |      |      |      |      |      |
|                 |                        | 96                         | 15.1                         | 1.85   | 24.1 | 18.0 | 2.42 | 24.9 | 20.9 | 3.07 | 25.7 | 22.4 | 3.42 | 26.2 | 23.9 | 3.80 | 26.6 | 24.6 | 3.87 | 26.8 | 25.1 | 3.90 | 26.9 | 15.1 | 1.78 | 19.9 | 18.0 | 2.33 | 19.9 | 20.9 | 2.95 | 20.7 | 22.4 | 3.29 | 21.1 | 23.9 | 3.65 | 21.6 | 25.2 | 3.76 | 21.9 | 25.7 | 3.79 | 22.1 | 15.1 | 1.69 | 17.5 | 18.0 | 2.21 | 18.0 | 20.9 | 2.80 | 18.5 | 22.4 | 3.12 | 18.8 | 23.9 | 3.47 | 19.1 | 25.5 | 3.66 | 19.4 | 26.1 | 3.68 | 19.4 | 15.1 | 1.66 | 17.0 | 18.0 | 2.17 | 17.4 | 20.9 | 2.75 | 17.8 | 22.4 | 3.06 | 18.0 | 23.9 | 3.40 | 18.3 | 25.6 | 3.62 | 18.5 | 26.2 | 3.65 | 18.6 |      |      |      |      |      |      |      |      |      |      |      |      |      |      |      |      |      |      |      |      |      |
|                 |                        | 120                        | 15.1                         | 1.85   | 24.1 | 18.0 | 2.42 | 24.9 | 20.9 | 3.07 | 25.7 | 22.4 | 3.42 | 26.2 | 23.9 | 3.80 | 26.6 | 24.6 | 3.87 | 26.8 | 25.1 | 3.90 | 26.9 | 15.1 | 1.78 | 19.9 | 18.0 | 2.33 | 19.9 | 20.9 | 2.95 | 20.7 | 22.4 | 3.29 | 21.1 | 23.9 | 3.65 | 21.6 | 25.2 | 3.76 | 21.9 | 25.7 | 3.79 | 22.1 | 15.1 | 1.69 | 17.5 | 18.0 | 2.21 | 18.0 | 20.9 | 2.80 | 18.5 | 22.4 | 3.12 | 18.8 | 23.9 | 3.47 | 19.1 | 25.5 | 3.66 | 19.4 | 26.1 | 3.68 | 19.4 | 15.1 | 1.66 | 17.0 | 18.0 | 2.17 | 17.4 | 20.9 | 2.75 | 17.8 | 22.4 | 3.06 | 18.0 | 23.9 | 3.40 | 18.3 | 25.6 | 3.62 | 18.5 | 26.2 | 3.65 | 18.6 |      |      |      |      |      |      |      |      |      |      |      |      |      |      |      |      |      |      |      |      |      |
|                 | 20                     | 50                         | 15.1                         | 1.88   | 24.9 | 18.0 | 2.46 | 25.9 | 20.9 | 3.13 | 26.9 | 22.4 | 3.49 | 27.4 | 23.9 | 3.87 | 28.0 | 24.5 | 3.91 | 28.1 | 25.0 | 3.93 | 28.3 | 15.1 | 1.85 | 24.1 | 18.0 | 2.42 | 24.9 | 20.9 | 3.07 | 25.7 | 22.4 | 3.42 | 26.2 | 23.9 | 3.80 | 26.6 | 24.6 | 3.87 | 26.8 | 25.1 | 3.90 | 26.9 | 15.1 | 1.76 | 22.5 | 18.0 | 2.30 | 23.0 | 20.9 | 2.91 | 23.6 | 22.4 | 3.25 | 23.8 | 23.9 | 3.60 | 24.1 | 24.9 | 3.76 | 24.3 | 25.5 | 3.79 | 24.4 | 15.1 | 1.73 | 22.0 | 18.0 | 2.25 | 22.4 | 20.9 | 2.86 | 22.8 | 22.4 | 3.18 | 23.1 | 23.9 | 3.53 | 23.3 | 25.0 | 3.72 | 23.4 | 25.6 | 3.75 | 23.5 | 15.1 | 1.73 | 22.0 | 18.0 | 2.25 | 22.4 | 20.9 | 2.86 | 22.8 | 22.4 | 3.18 | 23.1 | 23.9 | 3.53 | 23.3 | 25.0 | 3.72 | 23.4 | 25.6 | 3.75 | 23.5 |
|                 |                        | 60                         | 15.1                         | 1.88   | 24.9 | 18.0 | 2.46 | 25.9 | 20.9 | 3.13 | 26.9 | 22.4 | 3.49 | 27.4 | 23.9 | 3.87 | 28.0 | 24.5 | 3.91 | 28.1 | 25.0 | 3.93 | 28.3 | 15.1 | 1.85 | 24.1 | 18.0 | 2.42 | 24.9 | 20.9 | 3.07 | 25.7 | 22.4 | 3.42 | 26.2 | 23.9 | 3.80 | 26.6 | 24.6 | 3.87 | 26.8 | 25.1 | 3.90 | 26.9 | 15.1 | 1.76 | 22.5 | 18.0 | 2.30 | 23.0 | 20.9 | 2.91 | 23.6 | 22.4 | 3.25 | 23.8 | 23.9 | 3.60 | 24.1 | 24.9 | 3.76 | 24.3 | 25.5 | 3.79 | 24.4 | 15.1 | 1.73 | 22.0 | 18.0 | 2.25 | 22.4 | 20.9 | 2.86 | 22.8 | 22.4 | 3.18 | 23.1 | 23.9 | 3.53 | 23.3 | 25.0 | 3.72 | 23.4 | 25.6 | 3.75 | 23.5 |      |      |      |      |      |      |      |      |      |      |      |      |      |      |      |      |      |      |      |      |      |
|                 |                        | 96                         | 15.1                         | 1.88   | 24.9 | 18.0 | 2.46 | 25.9 | 20.9 | 3.13 | 26.9 | 22.4 | 3.49 | 27.4 | 23.9 | 3.87 | 28.0 | 24.5 | 3.91 | 28.1 | 25.0 | 3.93 | 28.3 | 15.1 | 1.85 | 24.1 | 18.0 | 2.42 | 24.9 | 20.9 | 3.07 | 25.7 | 22.4 | 3.42 | 26.2 | 23.9 | 3.80 | 26.6 | 24.6 | 3.87 | 26.8 | 25.1 | 3.90 | 26.9 | 15.1 | 1.76 | 22.5 | 18.0 | 2.30 | 23.0 | 20.9 | 2.91 | 23.6 | 22.4 | 3.25 | 23.8 | 23.9 | 3.60 | 24.1 | 24.9 | 3.76 | 24.3 | 25.5 | 3.79 | 24.4 | 15.1 | 1.73 | 22.0 | 18.0 | 2.25 | 22.4 | 20.9 | 2.86 | 22.8 | 22.4 | 3.18 | 23.1 | 23.9 | 3.53 | 23.3 | 25.0 | 3.72 | 23.4 | 25.6 | 3.75 | 23.5 |      |      |      |      |      |      |      |      |      |      |      |      |      |      |      |      |      |      |      |      |      |
|                 |                        | 120                        | 15.1                         | 1.88   | 24.9 | 18.0 | 2.46 | 25.9 | 20.9 | 3.13 | 26.9 | 22.4 | 3.49 | 27.4 | 23.9 | 3.87 | 28.0 | 24.5 | 3.91 | 28.1 | 25.0 | 3.93 | 28.3 | 15.1 | 1.85 | 24.1 | 18.0 | 2.42 | 24.9 | 20.9 | 3.07 | 25.7 | 22.4 | 3.42 | 26.2 | 23.9 | 3.80 | 26.6 | 24.6 | 3.87 | 26.8 | 25.1 | 3.90 | 26.9 | 15.1 | 1.76 | 22.5 | 18.0 | 2.30 | 23.0 | 20.9 | 2.91 | 23.6 | 22.4 | 3.25 | 23.8 | 23.9 | 3.60 | 24.1 | 24.9 | 3.76 | 24.3 | 25.5 | 3.79 | 24.4 | 15.1 | 1.73 | 22.0 | 18.0 | 2.25 | 22.4 | 20.9 | 2.86 | 22.8 | 22.4 | 3.18 | 23.1 | 23.9 | 3.53 | 23.3 | 25.0 | 3.72 | 23.4 | 25.6 | 3.75 | 23.5 |      |      |      |      |      |      |      |      |      |      |      |      |      |      |      |      |      |      |      |      |      |
| 25              | 50                     | 15.1                       | 2.21                         | 30.0   | 18.0 | 2.90 | 31.0 | 20.9 | 3.69 | 32.1 | 22.4 | 4.12 | 32.6 | 23.2 | 4.31 | 32.9 | 23.8 | 4.34 | 33.1 | 24.3 | 4.37 | 33.2 | 15.1 | 2.17 | 29.1 | 18.0 | 2.85 | 30.0 | 20.9 | 3.62 | 30.9 | 22.4 | 4.04 | 31.3 | 23.3 | 4.27 | 31.6 | 23.9 | 4.30 | 31.7 | 24.4 | 4.33 | 31.9 | 15.1 | 2.06 | 27.6 | 18.0 | 2.70 | 28.1 | 20.9 | 3.44 | 28.6 | 22.4 | 3.84 | 28.9 | 23.6 | 4.15 | 29.1 | 24.2 | 4.18 | 29.2 | 24.7 | 4.21 | 29.3 | 15.1 | 2.02 | 27.0 | 18.0 | 2.65 | 27.5 | 20.9 | 3.37 | 27.9 | 22.4 | 3.76 | 28.1 | 23.7 | 4.11 | 28.3 | 24.3 | 4.14 | 28.4 | 24.8 | 4.17 | 28.5 | 15.1 | 2.02 | 27.0 | 18.0 | 2.65 | 27.5 | 20.9 | 3.37 | 27.9 | 22.4 | 3.76 | 28.1 | 23.7 | 4.11 | 28.3 | 24.3 | 4.14 | 28.4 | 24.8 | 4.17 | 28.5 |      |
|                 | 60                     | 15.1                       | 2.21                         | 30.0   | 18.0 | 2.90 | 31.0 | 20.9 | 3.69 | 32.1 | 22.4 | 4.12 | 32.6 | 23.2 | 4.31 | 32.9 | 23.8 | 4.34 | 33.1 | 24.3 | 4.37 | 33.2 | 15.1 | 2.17 | 29.1 | 18.0 | 2.85 | 30.0 | 20.9 | 3.62 | 30.9 | 22.4 | 4.04 | 31.3 | 23.3 | 4.27 | 31.6 | 23.9 | 4.30 | 31.7 | 24.4 | 4.33 | 31.9 | 15.1 | 2.06 | 27.6 | 18.0 | 2.70 | 28.1 | 20.9 | 3.44 | 28.6 | 22.4 | 3.84 | 28.9 | 23.6 | 4.15 | 29.1 | 24.2 | 4.18 | 29.2 | 24.7 | 4.21 | 29.3 | 15.1 | 2.02 | 27.0 | 18.0 | 2.65 | 27.5 | 20.9 | 3.37 | 27.9 | 22.4 | 3.76 | 28.1 | 23.7 | 4.11 | 28.3 | 24.3 | 4.14 | 28.4 | 24.8 | 4.17 | 28.5 |      |      |      |      |      |      |      |      |      |      |      |      |      |      |      |      |      |      |      |      |      |      |
|                 | 96                     | 15.1                       | 2.21                         | 30.0   | 18.0 | 2.90 | 31.0 | 20.9 | 3.69 | 32.1 | 22.4 | 4.12 | 32.6 | 23.2 | 4.31 | 32.9 | 23.8 | 4.34 | 33.1 | 24.3 | 4.37 | 33.2 | 15.1 | 2.17 | 29.1 | 18.0 | 2.85 | 30.0 | 20.9 | 3.62 | 30.9 | 22.4 | 4.04 | 31.3 | 23.3 | 4.27 | 31.6 | 23.9 | 4.30 | 31.7 | 24.4 | 4.33 | 31.9 | 15.1 | 2.06 | 27.6 | 18.0 | 2.70 | 28.1 | 20.9 | 3.44 | 28.6 | 22.4 | 3.84 | 28.9 | 23.6 | 4.15 | 29.1 | 24.2 | 4.18 | 29.2 | 24.7 | 4.21 | 29.3 | 15.1 | 2.02 | 27.0 | 18.0 | 2.65 | 27.5 | 20.9 | 3.37 | 27.9 | 22.4 | 3.76 | 28.1 | 23.7 | 4.11 | 28.3 | 24.3 | 4.14 | 28.4 | 24.8 | 4.17 | 28.5 |      |      |      |      |      |      |      |      |      |      |      |      |      |      |      |      |      |      |      |      |      |      |
|                 | 120                    | 15.1                       | 2.21                         | 30.0   | 18.0 | 2.90 | 31.0 | 20.9 | 3.69 | 32.1 | 22.4 | 4.12 | 32.6 | 23.2 | 4.31 | 32.9 | 23.8 | 4.34 | 33.1 | 24.3 | 4.37 | 33.2 | 15.1 | 2.17 | 29.1 | 18.0 | 2.85 | 30.0 | 20.9 | 3.62 | 30.9 | 22.4 | 4.04 | 31.3 | 23.3 | 4.27 | 31.6 | 23.9 | 4.30 | 31.7 | 24.4 | 4.33 | 31.9 | 15.1 | 2.06 | 27.6 | 18.0 | 2.70 | 28.1 | 20.9 | 3.44 | 28.6 |      |      |      |      |      |      |      |      |      |      |      |      |      |      |      |      |      |      |      |      |      |      |      |      |      |      |      |      |      |      |      |      |      |      |      |      |      |      |      |      |      |      |      |      |      |      |      |      |      |      |      |      |      |      |      |



# 4 Capacity tables

## 4 - 2 Cooling capacity tables

| RWEYQ10PY1      |                        | TC: Total Capacity: kW ; PI: Power Input: kW (compressor + outdoor fan motor) ; OWT: Outlet Water Temperatur: °C |                              |      |      |      |      |      |      |      |      |      |      |      |      |      |      |      |      |      |      |      |      |
|-----------------|------------------------|--|------------------------------|------|------|------|------|------|------|------|------|------|------|------|------|------|------|------|------|------|------|------|------|
| Combination (%) | Inlet Water Temp. (°C) | Water Volume (note 2) L/min  | Indoor air temperature: °CWB |      |      |      |      |      |      |      |      |      |      |      |      |      |      |      |      |      |      |      |      |
|                 |                        |  | 14.0                         |      |      | 16.0 |      |      | 18.0 |      |      | 19.0 |      |      | 20.0 |      |      | 22.0 |      |      | 24.0 |      |      |
|                 |                        |  | TC                           | PI   | OWT  | TC   | PI   | OWT  | TC   | PI   | OWT  | TC   | PI   | OWT  | TC   | PI   | OWT  | TC   | PI   | OWT  | TC   | PI   | OWT  |
| 130             | 10                     | 50   | 23.4                         | 3.48 | 17.7 | 27.9 | 4.63 | 19.3 | 30.5 | 4.90 | 20.2 | 31.0 | 4.92 | 30.3 | 31.4 | 4.94 | 20.4 | 32.2 | 4.97 | 20.6 | 32.6 | 4.99 | 20.8 |
|                 |                        | 60   | 23.4                         | 3.41 | 16.4 | 27.9 | 4.54 | 17.8 | 30.7 | 4.85 | 18.5 | 31.1 | 4.87 | 18.6 | 31.5 | 4.89 | 18.7 | 32.2 | 4.92 | 18.9 | 32.8 | 4.94 | 19.0 |
|                 |                        | 96   | 23.4                         | 3.24 | 14.0 | 27.9 | 4.31 | 14.8 | 31.1 | 4.72 | 15.3 | 31.5 | 4.74 | 15.4 | 31.9 | 4.76 | 15.5 | 32.7 | 4.79 | 15.6 | 33.3 | 4.81 | 15.7 |
|                 | 15                     | 50   | 23.4                         | 3.60 | 22.7 | 27.9 | 4.79 | 24.4 | 30.0 | 5.04 | 25.0 | 30.4 | 5.06 | 25.2 | 30.8 | 5.08 | 25.3 | 31.5 | 5.11 | 25.5 | 32.0 | 5.13 | 25.6 |
|                 |                        | 60   | 23.4                         | 3.53 | 21.4 | 27.9 | 4.70 | 22.8 | 30.1 | 4.99 | 23.4 | 30.6 | 5.01 | 23.5 | 31.0 | 5.03 | 23.6 | 31.6 | 5.06 | 23.8 | 32.2 | 5.08 | 23.9 |
|                 |                        | 96   | 23.4                         | 3.35 | 19.0 | 27.9 | 4.46 | 19.8 | 30.5 | 4.85 | 20.3 | 30.9 | 4.88 | 20.3 | 31.4 | 4.90 | 20.4 | 32.1 | 4.93 | 20.5 | 32.6 | 4.95 | 20.6 |
|                 | 20                     | 50   | 23.4                         | 3.74 | 27.8 | 27.9 | 4.98 | 29.4 | 29.3 | 5.18 | 29.9 | 29.7 | 5.21 | 30.0 | 30.1 | 5.23 | 30.1 | 30.7 | 5.26 | 30.3 | 31.2 | 5.28 | 30.5 |
|                 |                        | 60   | 23.4                         | 3.67 | 26.5 | 27.9 | 4.89 | 27.8 | 29.4 | 5.13 | 28.3 | 29.8 | 5.16 | 28.4 | 30.2 | 5.18 | 28.5 | 30.9 | 5.21 | 28.6 | 31.3 | 5.23 | 28.7 |
|                 |                        | 96   | 23.4                         | 3.49 | 24.0 | 27.9 | 4.64 | 24.9 | 29.8 | 4.99 | 25.2 | 30.2 | 5.02 | 25.3 | 30.6 | 5.04 | 25.3 | 31.3 | 5.07 | 25.4 | 31.8 | 5.09 | 25.5 |
|                 | 25                     | 50   | 23.4                         | 4.41 | 33.0 | 27.5 | 5.70 | 34.5 | 28.4 | 5.76 | 34.8 | 28.8 | 5.79 | 34.9 | 29.2 | 5.81 | 35.0 | 29.7 | 5.84 | 35.2 | 30.1 | 5.86 | 35.3 |
|                 |                        | 60   | 23.4                         | 4.33 | 31.6 | 27.6 | 5.65 | 33.0 | 28.6 | 5.71 | 33.2 | 28.9 | 5.73 | 33.3 | 29.3 | 5.75 | 33.4 | 29.9 | 5.78 | 33.5 | 30.3 | 5.80 | 33.6 |
|                 |                        | 96   | 23.4                         | 4.11 | 29.1 | 27.9 | 5.48 | 30.0 | 28.9 | 5.55 | 30.1 | 29.3 | 5.58 | 30.2 | 29.7 | 5.60 | 30.3 | 30.3 | 5.63 | 30.4 | 30.7 | 5.65 | 30.4 |
| 30              | 50                     | 23.4   | 5.23                         | 38.2 | 26.5 | 6.28 | 39.4 | 27.4 | 6.35 | 39.7 | 27.7 | 6.37 | 39.8 | 28.1 | 6.39 | 39.9 | 28.6 | 6.42 | 40.0 | 28.9 | 6.43 | 40.1 |      |
|                 | 60                     | 23.4   | 5.13                         | 36.8 | 26.6 | 6.22 | 37.9 | 27.5 | 6.29 | 38.1 | 27.9 | 6.31 | 38.2 | 28.2 | 6.33 | 38.3 | 28.7 | 6.36 | 38.4 | 29.1 | 6.37 | 38.5 |      |
|                 | 96                     | 23.4   | 4.87                         | 34.2 | 27.0 | 6.05 | 34.9 | 27.9 | 6.11 | 35.1 | 28.2 | 6.14 | 35.1 | 28.6 | 6.16 | 35.2 | 29.1 | 6.19 | 35.3 | 29.5 | 6.20 | 35.3 |      |
| 35              | 50                     | 23.4   | 6.22                         | 43.5 | 25.4 | 6.87 | 44.2 | 26.2 | 6.94 | 44.5 | 26.5 | 6.96 | 44.6 | 26.8 | 6.98 | 44.7 | 27.2 | 7.00 | 44.8 | 27.4 | 7.00 | 44.9 |      |
|                 | 60                     | 23.4   | 6.12                         | 42.1 | 25.5 | 6.80 | 42.7 | 26.3 | 6.87 | 42.9 | 26.6 | 6.89 | 43.0 | 26.9 | 6.91 | 43.1 | 27.3 | 6.93 | 43.2 | 27.6 | 6.93 | 43.2 |      |
|                 | 96                     | 23.4   | 5.81                         | 39.4 | 25.8 | 6.62 | 39.8 | 26.6 | 6.68 | 40.0 | 27.0 | 6.71 | 40.0 | 27.3 | 6.73 | 40.1 | 27.7 | 6.75 | 40.1 | 28.0 | 6.75 | 40.2 |      |
| 40              | 50                     | 19.0   | 5.06                         | 46.9 | 19.6 | 5.10 | 47.1 | 19.9 | 5.11 | 47.2 | 20.0 | 5.11 | 47.2 | 20.0 | 5.09 | 47.2 | 19.8 | 5.04 | 47.1 | 19.4 | 4.95 | 47.0 |      |
|                 | 60                     | 20.0   | 5.47                         | 46.1 | 20.7 | 5.52 | 46.3 | 21.1 | 5.54 | 46.4 | 21.3 | 5.54 | 46.4 | 21.3 | 5.54 | 46.4 | 21.3 | 5.50 | 46.4 | 21.0 | 5.43 | 46.3 |      |
|                 | 96                     | 22.8   | 6.12                         | 44.3 | 23.6 | 6.20 | 44.5 | 24.3 | 6.25 | 44.6 | 24.6 | 6.26 | 44.6 | 24.8 | 6.27 | 44.6 | 25.1 | 6.28 | 44.7 | 25.1 | 6.25 | 44.7 |      |
| 45              | 50                     | 13.3   | 3.20                         | 49.7 | 13.2 | 3.15 | 49.7 | 12.6 | 3.06 | 49.5 | 12.2 | 3.00 | 49.4 | 11.7 | 2.92 | 49.2 | 10.4 | 2.75 | 48.8 | 8.72 | 25.2 | 48.2 |      |
|                 | 60                     | 14.6   | 3.53                         | 49.3 | 14.7 | 3.51 | 49.3 | 14.4 | 3.44 | 49.3 | 14.1 | 3.40 | 49.2 | 13.7 | 3.34 | 49.1 | 12.7 | 3.20 | 48.8 | 11.4 | 3.01 | 48.4 |      |
|                 | 96                     | 18.2   | 4.63                         | 48.4 | 18.7 | 4.66 | 48.5 | 19.0 | 4.66 | 48.5 | 19.1 | 4.65 | 48.5 | 18.9 | 4.63 | 48.5 | 18.6 | 4.56 | 48.5 | 18.0 | 4.46 | 48.4 |      |
| 120             | 10                     | 50   | 21.6                         | 3.07 | 17.1 | 25.8 | 4.06 | 18.6 | 30.0 | 4.87 | 20.0 | 30.4 | 4.89 | 20.1 | 30.9 | 4.91 | 20.3 | 31.6 | 4.95 | 20.5 | 32.2 | 4.97 | 20.7 |
|                 |                        | 60   | 21.6                         | 3.01 | 15.9 | 25.8 | 3.98 | 17.1 | 30.0 | 4.81 | 18.3 | 30.6 | 4.84 | 18.5 | 31.0 | 4.86 | 18.6 | 31.8 | 4.90 | 18.8 | 32.4 | 4.92 | 18.9 |
|                 |                        | 96   | 21.6                         | 2.86 | 13.7 | 25.8 | 3.78 | 14.4 | 30.0 | 4.65 | 15.2 | 31.0 | 4.71 | 15.3 | 31.4 | 4.73 | 15.4 | 32.2 | 4.77 | 15.5 | 32.8 | 4.79 | 15.6 |
|                 | 15                     | 50   | 21.6                         | 3.17 | 22.1 | 25.8 | 4.20 | 23.6 | 29.5 | 5.01 | 24.9 | 29.9 | 5.04 | 25.0 | 30.3 | 5.06 | 25.1 | 31.0 | 5.09 | 25.4 | 31.7 | 5.12 | 25.5 |
|                 |                        | 60   | 21.6                         | 3.11 | 20.9 | 25.8 | 4.12 | 22.1 | 29.6 | 4.96 | 23.3 | 30.0 | 4.99 | 23.4 | 30.5 | 5.01 | 23.5 | 31.2 | 5.04 | 23.7 | 31.8 | 5.07 | 23.8 |
|                 |                        | 96   | 21.6                         | 2.96 | 18.7 | 25.8 | 3.91 | 19.4 | 30.0 | 4.83 | 20.2 | 30.4 | 4.85 | 20.3 | 30.8 | 4.87 | 20.3 | 31.6 | 4.91 | 20.4 | 32.2 | 4.93 | 20.5 |
|                 | 20                     | 50   | 21.6                         | 2.90 | 17.9 | 25.8 | 3.84 | 18.5 | 30.0 | 4.76 | 19.1 | 30.6 | 4.80 | 19.2 | 31.0 | 4.82 | 19.3 | 31.7 | 4.85 | 19.4 | 32.3 | 4.88 | 19.4 |
|                 |                        | 60   | 21.6                         | 3.24 | 25.9 | 25.8 | 4.29 | 27.2 | 28.9 | 5.10 | 28.1 | 29.3 | 5.13 | 28.2 | 29.7 | 5.15 | 28.3 | 30.4 | 5.19 | 28.5 | 31.0 | 5.21 | 28.6 |
|                 |                        | 96   | 21.6                         | 3.07 | 23.7 | 25.8 | 4.07 | 24.5 | 29.3 | 4.96 | 25.1 | 29.7 | 4.99 | 25.2 | 30.1 | 5.01 | 25.2 | 30.8 | 5.05 | 25.4 | 31.4 | 5.07 | 25.4 |
|                 | 25                     | 50   | 21.6                         | 3.02 | 22.9 | 25.8 | 3.99 | 23.6 | 29.4 | 4.91 | 24.1 | 29.8 | 4.94 | 24.2 | 30.2 | 4.96 | 24.2 | 31.0 | 4.99 | 24.3 | 31.5 | 5.02 | 24.4 |
|                 |                        | 60   | 21.6                         | 3.88 | 32.3 | 25.8 | 5.16 | 33.9 | 27.9 | 5.73 | 34.7 | 28.3 | 5.76 | 34.8 | 28.7 | 5.78 | 34.9 | 29.3 | 5.82 | 35.1 | 29.8 | 5.85 | 35.2 |
|                 |                        | 96   | 21.6                         | 3.61 | 31.1 | 25.8 | 5.06 | 32.4 | 28.1 | 5.68 | 33.1 | 28.5 | 5.70 | 33.2 | 28.8 | 5.73 | 33.3 | 29.5 | 5.76 | 33.4 | 30.0 | 5.79 | 33.5 |
| 30              | 50                     | 21.6   | 3.62                         | 28.8 | 25.8 | 4.80 | 29.6 | 28.4 | 5.52 | 30.1 | 28.8 | 5.55 | 30.1 | 29.2 | 5.57 | 30.2 | 29.9 | 5.61 | 30.3 | 30.4 | 5.63 | 30.4 |      |
|                 | 60                     | 21.6   | 3.55                         | 28.0 | 25.8 | 4.71 | 28.6 | 28.5 | 5.46 | 29.1 | 29.0 | 5.49 | 29.1 | 29.4 | 5.51 | 29.2 | 30.0 | 5.55 | 29.2 | 30.6 | 5.58 | 29.3 |      |
|                 | 96                     | 21.6   | 4.59                         | 37.5 | 25.8 | 6.12 | 39.1 | 26.9 | 6.31 | 39.5 | 27.3 | 6.34 | 39.6 | 27.7 | 6.37 | 39.8 | 28.2 | 6.40 | 39.9 | 28.7 | 6.43 | 40.1 |      |
| 35              | 50                     | 21.6   | 4.51                         | 36.2 | 25.8 | 6.00 | 37.6 | 27.1 | 6.25 | 38.0 | 27.4 | 6.28 | 38.1 | 27.8 | 6.30 | 38.1 | 28.4 | 6.34 | 38.3 | 28.8 | 6.36 | 38.4 |      |
|                 | 60                     | 21.6   | 4.28                         | 33.9 | 25.8 | 5.69 | 34.7 | 27.4 | 6.08 | 35.0 | 27.8 | 6.11 | 35.1 | 28.1 | 6.13 | 35.1 | 28.7 | 6.17 | 35.2 | 29.2 | 6.19 | 35.3 |      |
|                 | 96                     | 21.6   | 4.20                         | 33.1 | 25.8 | 5.58 | 33.7 | 27.5 | 6.02 | 34.0 | 27.9 | 6.04 | 34.1 | 28.3 | 6.07 | 34.1 | 28.9 | 6.11 | 34.2 | 29.4 | 6.13 | 34.2 |      |
| 40              | 50                     | 21.6   | 5.48                         | 42.8 | 24.9 | 6.83 | 44.1 | 25.7 | 6.90 | 44.4 | 26.1 | 6.93 | 44.5 | 26.4 | 6.96 | 44.6 | 26.9 | 6.99 | 44.7 | 27.2 | 7.00 | 44.8 |      |
|                 | 60                     | 21.6   | 5.37                         | 41.5 | 25.0 | 6.76 | 42.6 | 25.9 | 6.83 | 42.8 | 26.2 | 6.86 | 42.9 | 26.5 | 6.89 | 43.0 | 27.0 | 6.92 | 43.1 | 27.4 | 6.94 | 43.2 |      |
|                 | 96                     | 21.6   | 5.10                         | 39.0 | 25.4 | 6.58 | 39.8 | 26.2 | 6.65 | 39.9 | 26.6 | 6.68 | 40.0 | 26.9 | 6.70 | 40.0 | 27.4 | 6.74 | 40.1 | 27.8 | 6.75 | 40.2 |      |
| 45              | 50                     | 18.7   | 5.04                         | 46.8 | 19.4 | 5.09 | 47.0 | 19.8 | 5.11 | 47.1 | 19.9 | 5.11 | 47.2 | 20.0 | 5.11 | 47.2 | 20.0 | 5.08 | 47.2 | 19.7 | 5.02 | 47.1 |      |
|                 | 60                     | 19.7   | 5.44                         | 46.0 | 20.4 | 5.50 | 46.2 | 20.9 | 5.53 | 46.3 | 21.1 | 5.54 | 46.4 | 21.2 | 5.54 | 46.4 | 21.3 | 5.53 | 46.4 | 21.2 | 5.49 | 46.4 |      |
|                 | 96                     | 21.6   | 5.68                         | 44.1 | 23.3 | 6.16 | 44.4 | 24.0 | 6.22 | 44.5 | 24.3 | 6.24 | 44.6 | 24.5 | 6.26 | 44.6 | 24.9 | 6.28 | 44.7 | 25.1 | 6.27 | 44.7 |      |
| 50              | 50                     | 13.3   | 3.20                         | 49.7 | 13.3 | 3.18 | 49.7 | 13.0 | 3.12 | 49.6 | 12.7 | 3.07 | 49.5 | 12.3 | 3.02 | 49.4 | 11.4 | 2.88 | 49.1 | 10.1 | 2.70 | 48.7 |      |
|                 | 60                     | 14.5   | 3.53                         | 49.3 | 14.7 | 3.52 | 49.4 | 14.6 | 3.48 | 49.3 | 14.4 | 3.45 | 49.3 | 14.2 | 3.41 | 49.2 | 13.5 | 3.30 | 49.0 | 12.5 | 3.16 | 48.7 |      |
|                 | 96                     | 17.9   | 4.61                         | 48.4 | 18.5 | 4.65 | 48.5 | 18.9 | 4.67 | 48.5 | 18.9 | 4.66 | 48.5 | 19.0 | 4.65 | 48.5 | 18.9 | 4.61 | 48.5 | 18.5 | 4.54 | 48.4 |      |
| 110             | 10                     | 50   | 19.8                         | 2.68 | 16.5 | 23.6 | 3.53 | 17.8 | 27.5 | 4.50 |      |      |      |      |      |      |      |      |      |      |      |      |      |

# 4 Capacity tables

## 4 - 2 Cooling capacity tables

| RWEYQ10PY1      |                        |                            | TC: Total Capacity: kW ; PI: Power Input: kW (compressor + outdoor fan motor) ; OWT: Outlet Water Temperatur: °C |      |      |      |      |      |      |      |      |      |      |      |      |      |      |      |      |      |      |      |      |  |  |  |
|-----------------|------------------------|----------------------------|--|------|------|------|------|------|------|------|------|------|------|------|------|------|------|------|------|------|------|------|------|--|--|--|
| Combination (%) | Inlet Water Temp. (°C) | Water Volume (note2) L/min | Indoor air temperature: °CWB   |      |      |      |      |      |      |      |      |      |      |      |      |      |      |      |      |      |      |      |      |  |  |  |
|                 |                        |                            | 14.0   |      |      | 16.0 |      |      | 18.0 |      |      | 19.0 |      |      | 20.0 |      |      | 22.0 |      |      | 24.0 |      |      |  |  |  |
|                 |                        |                            | TC   | PI   | OWT  | TC   | PI   | OWT  | TC   | PI   | OWT  | TC   | PI   | OWT  | TC   | PI   | OWT  | TC   | PI   | OWT  | TC   | PI   | OWT  |  |  |  |
| 100             | 10                     | 50                         | 18.0   | 2.32 | 15.8 | 21.5 | 3.04 | 17.0 | 25.0 | 3.85 | 18.3 | 26.7 | 4.30 | 18.9 | 28.4 | 4.77 | 19.5 | 30.4 | 4.89 | 20.1 | 31.1 | 4.92 | 20.3 |  |  |  |
|                 |                        | 60                         | 18.0   | 2.28 | 14.9 | 21.5 | 2.98 | 15.8 | 25.0 | 3.78 | 16.9 | 26.7 | 4.21 | 17.4 | 28.4 | 4.68 | 17.9 | 30.6 | 4.84 | 18.5 | 31.2 | 4.88 | 18.6 |  |  |  |
|                 |                        | 96                         | 18.0   | 2.17 | 13.0 | 21.5 | 2.83 | 13.6 | 25.0 | 3.59 | 14.3 | 26.7 | 4.00 | 14.6 | 28.4 | 4.44 | 14.9 | 30.9 | 4.71 | 15.3 | 31.6 | 4.74 | 15.4 |  |  |  |
|                 |                        | 120                        | 18.0   | 2.13 | 12.4 | 21.5 | 2.78 | 12.9 | 25.0 | 3.52 | 13.4 | 26.7 | 3.92 | 13.7 | 28.4 | 4.35 | 13.9 | 31.1 | 4.66 | 14.3 | 31.8 | 4.69 | 14.4 |  |  |  |
|                 | 15                     | 50                         | 18.0   | 2.40 | 20.9 | 21.5 | 3.14 | 22.1 | 25.0 | 3.99 | 23.3 | 26.7 | 4.45 | 23.9 | 28.4 | 4.94 | 24.6 | 29.9 | 5.03 | 25.0 | 30.5 | 5.07 | 25.2 |  |  |  |
|                 |                        | 60                         | 18.0   | 2.36 | 19.9 | 21.5 | 3.08 | 20.9 | 25.0 | 3.91 | 21.9 | 26.7 | 4.36 | 22.4 | 28.4 | 4.84 | 23.0 | 30.0 | 4.98 | 23.4 | 30.7 | 5.02 | 23.5 |  |  |  |
|                 |                        | 96                         | 18.0   | 2.24 | 18.0 | 21.5 | 2.93 | 18.6 | 25.0 | 3.71 | 19.3 | 26.7 | 4.14 | 19.6 | 28.4 | 4.59 | 19.9 | 30.4 | 4.85 | 20.3 | 31.1 | 4.88 | 20.4 |  |  |  |
|                 |                        | 120                        | 18.0   | 2.20 | 17.4 | 21.5 | 2.87 | 17.9 | 25.0 | 3.64 | 18.4 | 26.7 | 4.06 | 18.7 | 28.4 | 4.50 | 18.9 | 30.5 | 4.80 | 19.2 | 31.2 | 4.83 | 19.3 |  |  |  |
|                 | 20                     | 50                         | 18.0   | 2.49 | 25.9 | 21.5 | 3.27 | 27.1 | 25.0 | 4.15 | 28.3 | 26.7 | 4.63 | 29.0 | 28.4 | 5.13 | 29.6 | 29.2 | 5.18 | 29.8 | 29.8 | 5.21 | 30.0 |  |  |  |
|                 |                        | 60                         | 18.0   | 2.45 | 24.9 | 21.5 | 3.20 | 25.9 | 25.0 | 4.07 | 26.9 | 26.7 | 4.54 | 27.5 | 28.4 | 5.03 | 28.0 | 29.3 | 5.13 | 28.2 | 30.0 | 5.16 | 28.4 |  |  |  |
|                 |                        | 96                         | 18.0   | 2.33 | 23.0 | 21.5 | 3.04 | 23.7 | 25.0 | 3.86 | 24.3 | 26.7 | 4.31 | 24.6 | 28.4 | 4.78 | 25.0 | 29.7 | 4.99 | 25.2 | 30.3 | 5.02 | 25.3 |  |  |  |
|                 |                        | 120                        | 18.0   | 2.29 | 22.4 | 21.5 | 2.99 | 22.9 | 25.0 | 3.78 | 23.4 | 26.7 | 4.22 | 23.7 | 28.4 | 4.68 | 24.0 | 29.8 | 4.93 | 24.2 | 30.5 | 4.97 | 24.2 |  |  |  |
| 25              | 50                     | 18.0                       | 2.93   | 32.0 | 21.5 | 3.85 | 32.3 | 25.0 | 4.89 | 33.6 | 26.7 | 5.46 | 34.2 | 27.6 | 5.71 | 34.6 | 28.8 | 5.76 | 34.8 | 28.9 | 5.80 | 35.0 |      |  |  |  |
|                 | 60                     | 18.0                       | 2.88   | 30.0 | 21.5 | 3.77 | 31.0 | 25.0 | 4.80 | 32.1 | 26.7 | 5.36 | 32.7 | 27.7 | 5.65 | 33.0 | 28.4 | 5.70 | 33.2 | 29.1 | 5.74 | 33.3 |      |  |  |  |
|                 | 96                     | 18.0                       | 2.73   | 28.1 | 21.5 | 3.58 | 28.7 | 25.0 | 4.55 | 29.4 | 26.7 | 5.08 | 29.7 | 28.1 | 5.50 | 30.0 | 28.8 | 5.55 | 30.1 | 29.4 | 5.58 | 30.2 |      |  |  |  |
|                 | 120                    | 18.0                       | 2.68   | 27.5 | 21.5 | 3.51 | 28.0 | 25.0 | 4.46 | 28.5 | 26.7 | 4.98 | 28.8 | 28.2 | 5.44 | 29.0 | 28.9 | 5.49 | 29.1 | 29.6 | 5.52 | 29.2 |      |  |  |  |
| 30              | 50                     | 18.0                       | 3.45   | 36.2 | 21.5 | 4.55 | 37.5 | 25.0 | 5.80 | 38.8 | 26.7 | 6.26 | 39.3 | 26.6 | 6.29 | 39.4 | 27.3 | 6.34 | 39.6 | 27.8 | 6.38 | 39.8 |      |  |  |  |
|                 | 60                     | 18.0                       | 3.39   | 35.1 | 21.5 | 4.46 | 36.2 | 25.0 | 5.69 | 37.3 | 26.4 | 6.20 | 37.8 | 26.7 | 6.23 | 37.9 | 27.4 | 6.28 | 38.0 | 28.0 | 6.32 | 38.2 |      |  |  |  |
|                 | 96                     | 18.0                       | 3.22   | 33.2 | 21.5 | 4.24 | 33.8 | 25.0 | 5.40 | 34.5 | 26.7 | 6.03 | 34.9 | 27.1 | 6.06 | 34.9 | 27.8 | 6.11 | 35.1 | 28.3 | 6.15 | 35.1 |      |  |  |  |
|                 | 120                    | 18.0                       | 3.16   | 32.5 | 21.5 | 4.16 | 33.1 | 25.0 | 5.29 | 33.6 | 26.7 | 5.91 | 33.9 | 27.2 | 5.99 | 34.0 | 27.9 | 6.04 | 34.1 | 28.5 | 6.08 | 34.1 |      |  |  |  |
| 35              | 50                     | 18.0                       | 4.10   | 41.3 | 21.5 | 5.42 | 42.7 | 24.7 | 6.81 | 44.0 | 25.1 | 6.85 | 44.2 | 25.5 | 6.88 | 44.3 | 26.1 | 6.93 | 44.5 | 26.6 | 6.97 | 44.6 |      |  |  |  |
|                 | 60                     | 18.0                       | 4.03   | 40.3 | 21.5 | 5.32 | 41.4 | 24.9 | 6.75 | 42.6 | 25.2 | 6.78 | 42.6 | 25.6 | 6.81 | 42.7 | 26.2 | 6.86 | 42.9 | 26.7 | 6.90 | 43.0 |      |  |  |  |
|                 | 96                     | 18.0                       | 3.83   | 38.3 | 21.5 | 5.05 | 39.0 | 25.0 | 6.45 | 39.7 | 25.5 | 6.59 | 39.8 | 25.9 | 6.62 | 39.9 | 26.5 | 6.68 | 40.0 | 27.1 | 6.71 | 40.0 |      |  |  |  |
|                 | 120                    | 18.0                       | 3.75   | 37.6 | 21.5 | 4.95 | 38.2 | 25.0 | 6.33 | 38.7 | 25.7 | 6.52 | 38.8 | 26.0 | 6.55 | 38.9 | 26.7 | 6.60 | 39.0 | 27.2 | 6.64 | 39.0 |      |  |  |  |
| 40              | 50                     | 18.0                       | 4.97   | 46.6 | 18.7 | 5.04 | 46.8 | 19.3 | 5.08 | 47.0 | 19.5 | 5.10 | 47.0 | 19.7 | 5.11 | 47.1 | 19.9 | 5.11 | 47.2 | 20.0 | 5.10 | 47.2 |      |  |  |  |
|                 | 60                     | 18.0                       | 4.86   | 45.5 | 18.7 | 5.44 | 46.0 | 20.3 | 5.49 | 46.2 | 20.5 | 5.51 | 46.2 | 20.8 | 5.52 | 46.3 | 21.1 | 5.54 | 46.4 | 21.3 | 5.54 | 46.4 |      |  |  |  |
|                 | 96                     | 18.0                       | 4.23   | 43.3 | 21.5 | 5.62 | 44.0 | 23.1 | 6.15 | 44.4 | 23.4 | 6.18 | 44.4 | 23.7 | 6.20 | 44.5 | 24.3 | 6.24 | 44.6 | 24.6 | 6.27 | 44.6 |      |  |  |  |
|                 | 120                    | 18.0                       | 4.09   | 42.6 | 21.5 | 5.44 | 43.2 | 23.3 | 6.05 | 43.5 | 23.6 | 6.08 | 43.5 | 23.9 | 6.10 | 43.6 | 24.5 | 6.14 | 43.7 | 24.9 | 6.17 | 43.7 |      |  |  |  |
| 45              | 50                     | 13.0                       | 3.19   | 49.6 | 13.3 | 3.20 | 49.7 | 13.3 | 3.19 | 49.7 | 13.3 | 3.17 | 49.7 | 13.1 | 3.14 | 49.7 | 12.7 | 3.07 | 49.5 | 12.1 | 2.98 | 49.3 |      |  |  |  |
|                 | 60                     | 14.1                       | 3.50   | 49.2 | 14.5 | 3.52 | 49.3 | 14.7 | 3.52 | 49.3 | 14.7 | 3.52 | 49.4 | 14.7 | 3.50 | 49.3 | 14.4 | 3.45 | 49.3 | 14.0 | 3.38 | 49.2 |      |  |  |  |
|                 | 96                     | 17.3                       | 4.55   | 48.3 | 17.9 | 4.61 | 48.4 | 18.4 | 4.65 | 48.4 | 18.6 | 4.66 | 48.5 | 18.6 | 4.66 | 48.5 | 18.9 | 4.66 | 48.5 | 19.0 | 4.64 | 48.5 |      |  |  |  |
|                 | 120                    | 18.0                       | 4.76   | 47.7 | 19.6 | 5.29 | 48.0 | 20.2 | 5.34 | 48.1 | 20.5 | 5.36 | 48.1 | 20.7 | 5.38 | 48.1 | 21.0 | 5.40 | 48.2 | 21.2 | 5.39 | 48.2 |      |  |  |  |
| 90              | 10                     | 50                         | 16.2   | 1.99 | 15.2 | 19.3 | 2.58 | 16.3 | 22.5 | 3.26 | 17.4 | 24.0 | 3.62 | 17.9 | 25.6 | 4.01 | 18.5 | 28.7 | 4.79 | 19.6 | 30.4 | 4.89 | 20.1 |  |  |  |
|                 |                        | 60                         | 16.2   | 1.95 | 14.3 | 19.3 | 2.53 | 15.2 | 22.5 | 3.19 | 16.1 | 24.0 | 3.55 | 16.6 | 25.6 | 3.93 | 17.1 | 28.7 | 4.73 | 18.0 | 30.5 | 4.84 | 18.5 |  |  |  |
|                 |                        | 96                         | 16.2   | 1.86 | 12.7 | 19.3 | 2.41 | 13.2 | 22.5 | 3.03 | 13.8 | 24.0 | 3.37 | 14.1 | 25.6 | 3.73 | 14.4 | 28.7 | 4.51 | 15.0 | 30.9 | 4.71 | 15.3 |  |  |  |
|                 |                        | 120                        | 16.2   | 1.83 | 12.2 | 19.3 | 2.36 | 12.6 | 22.5 | 2.98 | 13.0 | 24.0 | 3.31 | 13.3 | 25.6 | 3.66 | 13.5 | 28.7 | 4.42 | 14.0 | 31.1 | 4.66 | 14.3 |  |  |  |
|                 | 15                     | 50                         | 16.2   | 2.06 | 20.2 | 19.3 | 2.67 | 21.3 | 22.5 | 3.37 | 22.4 | 24.0 | 3.75 | 23.0 | 25.6 | 4.15 | 23.5 | 28.7 | 4.96 | 24.7 | 29.9 | 5.03 | 25.0 |  |  |  |
|                 |                        | 60                         | 16.2   | 2.02 | 19.4 | 19.3 | 2.62 | 20.2 | 22.5 | 3.31 | 21.2 | 24.0 | 3.68 | 21.6 | 25.6 | 4.07 | 22.1 | 28.7 | 4.90 | 23.0 | 30.0 | 4.98 | 23.4 |  |  |  |
|                 |                        | 96                         | 16.2   | 1.92 | 17.7 | 19.3 | 2.49 | 18.3 | 22.5 | 3.14 | 18.8 | 24.0 | 3.49 | 19.1 | 25.6 | 3.87 | 19.4 | 28.7 | 4.67 | 20.0 | 30.4 | 4.85 | 20.3 |  |  |  |
|                 |                        | 120                        | 16.2   | 1.89 | 17.2 | 19.3 | 2.45 | 17.6 | 22.5 | 3.08 | 18.1 | 24.0 | 3.43 | 18.3 | 25.6 | 3.79 | 18.5 | 28.7 | 4.58 | 19.0 | 30.5 | 4.80 | 19.2 |  |  |  |
|                 | 20                     | 50                         | 16.2   | 2.14 | 25.3 | 19.3 | 2.78 | 26.3 | 22.5 | 3.50 | 27.4 | 24.0 | 3.90 | 28.0 | 25.6 | 4.32 | 28.6 | 28.5 | 5.14 | 29.6 | 29.2 | 5.18 | 29.8 |  |  |  |
|                 |                        | 60                         | 16.2   | 2.10 | 24.4 | 19.3 | 2.72 | 25.3 | 22.5 | 3.44 | 26.2 | 24.0 | 3.82 | 26.7 | 25.6 | 4.23 | 27.1 | 28.6 | 5.09 | 28.1 | 29.3 | 5.13 | 28.2 |  |  |  |
|                 |                        | 96                         | 16.2   | 2.00 | 22.7 | 19.3 | 2.59 | 23.3 | 22.5 | 3.26 | 23.8 | 24.0 | 3.63 | 24.1 | 25.6 | 4.02 | 24.4 | 28.7 | 4.85 | 25.0 | 29.7 | 4.99 | 25.2 |  |  |  |
|                 |                        | 120                        | 16.2   | 1.96 | 22.2 | 19.3 | 2.54 | 22.6 | 22.5 | 3.20 | 23.1 | 24.0 | 3.56 | 23.3 | 25.6 | 3.94 | 23.5 | 28.7 | 4.76 | 24.0 | 29.8 | 4.93 | 24.1 |  |  |  |
| 25              | 50                     | 16.2                       | 2.51   | 30.4 | 19.3 | 3.26 | 31.5 | 22.5 | 4.13 | 32.6 | 24.0 | 4.60 | 33.2 | 25.6 | 5.09 | 33.8 | 27.7 | 5.71 | 34.6 | 28.3 | 5.76 | 34.8 |      |  |  |  |
|                 | 60                     | 16.2                       | 2.46   | 29.5 | 19.3 | 3.20 | 30.4 | 22.5 | 4.05 | 31.3 | 24.0 | 4.51 | 31.8 | 25.6 | 5.00 | 32.3 | 27.8 | 5.66 | 33.0 | 28.4 | 5.70 | 33.2 |      |  |  |  |
|                 | 96                     | 16.2                       | 2.34   | 27.8 | 19.3 | 3.04 | 28.3 | 22.5 | 3.84 | 28.9 | 24.0 | 4.28 | 29.2 | 25.6 | 4.74 | 29.5 | 28.1 | 5.50 | 30.0 | 28.8 | 5.54 | 30.1 |      |  |  |  |
|                 | 120                    | 16.2                       | 2.30   | 27.2 | 19.3 | 2.99 | 27.7 | 22.5 | 3.77 | 28.1 | 24.0 | 4.20 | 28.4 | 25.6 | 4.65 | 28.6 | 28.3 | 5.44 | 29.0 | 28.9 | 5.49 | 29.1 |      |  |  |  |
| 30              | 50                     | 16.2                       | 2.95   | 35.5 | 19.3 | 3.85 | 36.7 | 22.5 | 4.88 | 37.8 | 24.0 | 5.45 | 38.5 | 25.6 | 6.04 | 39.1 | 26.7 | 6.30 | 39.5 | 27.3 | 6.34 | 39.6 |      |  |  |  |
|                 | 60                     | 16.2                       | 2.89   | 34.6 | 19.3 | 3.78 | 35.5 | 22.5 | 4.79 | 36.5 | 24.0 | 5.34 | 37.0 | 25.6 | 5.93 | 37.5 | 26.8 | 6.23 | 37.9 | 27.4 | 6.28 | 38.0 |      |  |  |  |
|                 | 96                     | 16.2                       | 2.75   | 32.8 | 19.3 | 3.59 | 33.4 | 22.5 | 4.55 | 34.0 | 24.0 | 5.07 | 34.3 | 25.6 | 5.62 | 34.7 | 27.1 | 6.06 | 35.0 | 27.7 | 6.11 | 35.1 |      |  |  |  |
|                 | 120                    | 16.2                       | 2.70   | 32.3 | 19.3 | 3.52 | 32.7 | 22.5 | 4.46 | 33.2 | 24.0 | 4.97 | 33.5 | 25.6 | 5.5  |      |      |      |      |      |      |      |      |  |  |  |



# 4 Capacity tables

## 4 - 2 Cooling capacity tables

| RWEYQ10PY1          |                                 |                                     | TC: Total Capacity: kW ; PI: Power Input: kW (compressor + outdoor fan motor) ; OWT: Outlet Water Temperatur: °C |          |           |          |          |           |          |          |           |          |          |           |          |          |           |          |          |           |          |          |           |          |          |           |
|---------------------|---------------------------------|-------------------------------------|--|----------|-----------|----------|----------|-----------|----------|----------|-----------|----------|----------|-----------|----------|----------|-----------|----------|----------|-----------|----------|----------|-----------|----------|----------|-----------|
| Combinatio<br>n (%) | Inlet<br>Water<br>Temp.<br>(°C) | Water<br>Volume<br>(note2)<br>L/min | Indoor air temperature: °CWB   |          |           |          |          |           |          |          |           |          |          |           |          |          |           |          |          |           |          |          |           |          |          |           |
|                     |                                 |                                     | 14.0   |          |           | 16.0     |          |           | 18.0     |          |           | 19.0     |          |           | 21.0     |          |           | 22.0     |          |           | 24.0     |          |           |          |          |           |
|                     |                                 |                                     | TC<br>kW   | PI<br>kW | OWT<br>°C | TC<br>kW | PI<br>kW | OWT<br>°C | TC<br>kW | PI<br>kW | OWT<br>°C | TC<br>kW | PI<br>kW | OWT<br>°C | TC<br>kW | PI<br>kW | OWT<br>°C | TC<br>kW | PI<br>kW | OWT<br>°C | TC<br>kW | PI<br>kW | OWT<br>°C | TC<br>kW | PI<br>kW | OWT<br>°C |
| 70                  | 10                              | 50                                  | 12.6   | 1.41     | 14.0      | 15.0     | 1.79     | 14.8      | 17.5     | 2.22     | 15.6      | 18.7     | 2.45     | 16.1      | 19.9     | 2.70     | 16.5      | 22.3     | 3.23     | 17.3      | 24.8     | 3.80     | 18.2      | 24.8     | 3.80     | 18.2      |
|                     |                                 | 60                                  | 12.6   | 1.38     | 13.3      | 15.0     | 1.76     | 14.0      | 17.5     | 2.18     | 14.7      | 18.7     | 2.41     | 15.0      | 19.9     | 2.65     | 15.4      | 22.3     | 3.16     | 16.1      | 24.8     | 3.73     | 16.8      | 24.8     | 3.73     | 16.8      |
|                     |                                 | 96                                  | 12.6   | 1.32     | 12.1      | 15.0     | 1.67     | 12.5      | 17.5     | 2.07     | 12.9      | 18.7     | 2.29     | 13.1      | 19.9     | 2.52     | 13.3      | 22.3     | 3.01     | 13.8      | 24.8     | 3.54     | 14.2      | 24.8     | 3.54     | 14.2      |
|                     |                                 | 120                                 | 12.6   | 1.30     | 11.7      | 15.0     | 1.64     | 12.0      | 17.5     | 2.03     | 12.3      | 18.7     | 2.25     | 12.5      | 19.9     | 2.47     | 12.7      | 22.3     | 2.95     | 13.0      | 24.8     | 3.47     | 13.4      | 24.8     | 3.47     | 13.4      |
|                     | 15                              | 50                                  | 12.6   | 1.46     | 19.0      | 15.0     | 1.85     | 19.8      | 17.5     | 2.30     | 20.7      | 18.7     | 2.54     | 21.1      | 19.9     | 2.79     | 21.5      | 22.3     | 3.34     | 22.4      | 24.8     | 3.94     | 23.2      | 24.8     | 3.94     | 23.2      |
|                     |                                 | 60                                  | 12.6   | 1.43     | 18.4      | 15.0     | 1.82     | 19.0      | 17.5     | 2.25     | 19.7      | 18.7     | 2.49     | 20.1      | 19.9     | 2.74     | 20.4      | 22.3     | 3.28     | 21.1      | 24.8     | 3.86     | 21.8      | 24.8     | 3.86     | 21.8      |
|                     |                                 | 96                                  | 12.6   | 1.36     | 17.1      | 15.0     | 1.73     | 17.5      | 17.5     | 2.14     | 17.9      | 18.7     | 2.37     | 18.1      | 19.9     | 2.60     | 18.4      | 22.3     | 3.11     | 18.8      | 24.8     | 3.67     | 19.2      | 24.8     | 3.67     | 19.2      |
|                     |                                 | 120                                 | 12.6   | 1.34     | 16.7      | 15.0     | 1.70     | 17.0      | 17.5     | 2.10     | 17.3      | 18.7     | 2.32     | 17.5      | 19.9     | 2.56     | 17.7      | 22.3     | 3.05     | 18.0      | 24.8     | 3.60     | 18.4      | 24.8     | 3.60     | 18.4      |
|                     | 20                              | 50                                  | 12.6   | 1.51     | 24.0      | 15.0     | 1.92     | 24.9      | 17.5     | 2.38     | 25.7      | 18.7     | 2.64     | 26.1      | 19.9     | 2.90     | 26.5      | 22.3     | 3.47     | 27.4      | 24.8     | 4.09     | 28.3      | 24.8     | 4.09     | 28.3      |
|                     |                                 | 60                                  | 12.6   | 1.48     | 23.4      | 15.0     | 1.89     | 24.0      | 17.5     | 2.34     | 24.7      | 18.7     | 2.59     | 25.1      | 19.9     | 2.85     | 25.4      | 22.3     | 3.40     | 26.1      | 24.8     | 4.01     | 26.9      | 24.8     | 4.01     | 26.9      |
|                     |                                 | 96                                  | 12.6   | 1.42     | 22.1      | 15.0     | 1.80     | 22.5      | 17.5     | 2.23     | 22.9      | 18.7     | 2.46     | 23.2      | 19.9     | 2.71     | 23.4      | 22.3     | 3.23     | 23.8      | 24.8     | 3.81     | 24.3      | 24.8     | 3.81     | 24.3      |
|                     |                                 | 120                                 | 12.6   | 1.39     | 21.7      | 15.0     | 1.76     | 22.0      | 17.5     | 2.19     | 22.3      | 18.7     | 2.41     | 22.5      | 19.9     | 2.65     | 22.7      | 22.3     | 3.17     | 23.0      | 24.8     | 3.74     | 23.4      | 24.8     | 3.74     | 23.4      |
| 25                  | 50                              | 12.6                                | 1.76   | 29.1     | 15.0      | 2.25     | 30.0     | 17.5      | 2.80     | 30.8     | 18.7      | 3.10     | 31.2     | 19.9      | 3.41     | 31.7     | 22.3      | 4.09     | 32.6     | 24.8      | 4.83     | 33.5     | 24.8      | 4.83     | 33.5     |           |
|                     | 60                              | 12.6                                | 1.73   | 28.4     | 15.0      | 2.21     | 29.1     | 17.5      | 2.75     | 29.8     | 18.7      | 3.04     | 30.2     | 19.9      | 3.35     | 30.6     | 22.3      | 4.01     | 31.3     | 24.8      | 4.74     | 32.0     | 24.8      | 4.74     | 32.0     |           |
|                     | 96                              | 12.6                                | 1.65   | 27.1     | 15.0      | 2.10     | 27.6     | 17.5      | 2.61     | 28.0     | 18.7      | 2.89     | 28.2     | 19.9      | 3.18     | 28.4     | 22.3      | 3.81     | 28.9     | 24.8      | 4.49     | 29.4     | 24.8      | 4.49     | 29.4     |           |
|                     | 120                             | 12.6                                | 1.62   | 26.7     | 15.0      | 2.06     | 27.0     | 17.5      | 2.56     | 27.4     | 18.7      | 2.83     | 27.6     | 19.9      | 3.12     | 27.8     | 22.3      | 3.73     | 28.1     | 24.8      | 4.41     | 28.5     | 24.8      | 4.41     | 28.5     |           |
| 30                  | 50                              | 12.6                                | 2.06   | 34.2     | 15.0      | 2.64     | 35.1     | 17.5      | 3.30     | 36.0     | 18.7      | 3.65     | 36.4     | 19.9      | 4.03     | 36.9     | 22.3      | 4.84     | 37.8     | 24.8      | 5.72     | 38.7     | 24.8      | 5.72     | 38.7     |           |
|                     | 60                              | 12.6                                | 2.02   | 33.5     | 15.0      | 2.59     | 34.2     | 17.5      | 3.24     | 34.9     | 18.7      | 3.58     | 35.3     | 19.9      | 3.95     | 35.7     | 22.3      | 4.75     | 36.5     | 24.8      | 5.61     | 37.3     | 24.8      | 5.61     | 37.3     |           |
|                     | 96                              | 12.6                                | 1.93   | 32.2     | 15.0      | 2.47     | 32.6     | 17.5      | 3.08     | 33.1     | 18.7      | 3.41     | 33.3     | 19.9      | 3.76     | 33.5     | 22.3      | 4.51     | 34.0     | 24.8      | 5.33     | 34.5     | 24.8      | 5.33     | 34.5     |           |
|                     | 120                             | 12.6                                | 1.90   | 31.7     | 15.0      | 2.42     | 32.1     | 17.5      | 3.02     | 32.4     | 18.7      | 3.34     | 32.6     | 19.9      | 3.68     | 32.8     | 22.3      | 4.42     | 33.2     | 24.8      | 5.22     | 33.6     | 24.8      | 5.22     | 33.6     |           |
| 35                  | 50                              | 12.6                                | 2.43   | 39.3     | 15.0      | 3.12     | 40.2     | 17.5      | 3.91     | 41.1     | 18.7      | 4.34     | 41.6     | 19.9      | 4.80     | 42.1     | 22.3      | 5.77     | 43.1     | 24.8      | 6.81     | 44.0     | 24.8      | 6.81     | 44.0     |           |
|                     | 60                              | 12.6                                | 2.38   | 38.6     | 15.0      | 3.07     | 39.3     | 17.5      | 3.84     | 40.1     | 18.7      | 4.26     | 40.5     | 19.9      | 4.71     | 40.9     | 22.3      | 5.66     | 41.7     | 24.8      | 6.71     | 42.5     | 24.8      | 6.71     | 42.5     |           |
|                     | 96                              | 12.6                                | 2.27   | 37.2     | 15.0      | 2.92     | 37.7     | 17.5      | 3.65     | 38.2     | 18.7      | 4.05     | 38.4     | 19.9      | 4.47     | 38.6     | 22.3      | 5.38     | 39.1     | 24.8      | 6.37     | 39.6     | 24.8      | 6.37     | 39.6     |           |
|                     | 120                             | 12.6                                | 2.23   | 36.8     | 15.0      | 2.86     | 37.1     | 17.5      | 3.58     | 37.5     | 18.7      | 3.97     | 37.7     | 19.9      | 4.38     | 37.9     | 22.3      | 5.27     | 38.3     | 24.8      | 6.24     | 38.7     | 24.8      | 6.24     | 38.7     |           |
| 40                  | 50                              | 12.6                                | 2.82   | 44.4     | 15.0      | 3.71     | 45.4     | 17.5      | 4.74     | 46.4     | 18.7      | 4.99     | 46.6     | 19.9      | 5.01     | 46.7     | 18.9      | 5.05     | 46.9     | 19.2      | 5.08     | 47.0     | 24.8      | 5.08     | 47.0     |           |
|                     | 60                              | 12.6                                | 2.77   | 43.7     | 15.0      | 3.64     | 44.5     | 17.5      | 4.62     | 45.3     | 18.7      | 4.91     | 45.7     | 19.9      | 4.93     | 45.9     | 18.9      | 5.05     | 46.9     | 19.2      | 5.08     | 47.0     | 24.8      | 5.08     | 47.0     |           |
|                     | 96                              | 12.6                                | 2.47   | 42.3     | 15.0      | 3.20     | 42.7     | 17.5      | 4.03     | 43.2     | 18.7      | 4.48     | 43.5     | 19.9      | 4.96     | 43.7     | 22.3      | 5.99     | 44.2     | 23.1      | 6.15     | 44.4     | 24.8      | 6.15     | 44.4     |           |
|                     | 120                             | 12.6                                | 2.39   | 41.8     | 15.0      | 3.10     | 42.2     | 17.5      | 3.90     | 42.6     | 18.7      | 4.34     | 42.8     | 19.9      | 4.80     | 43.0     | 22.3      | 5.79     | 43.4     | 23.2      | 6.04     | 43.5     | 24.8      | 6.04     | 43.5     |           |
| 45                  | 50                              | 12.1                                | 3.13   | 49.4     | 12.6      | 3.16     | 49.5     | 12.9      | 3.19     | 49.6     | 13.1      | 3.20     | 49.7     | 13.2      | 3.20     | 49.7     | 13.3      | 3.20     | 49.7     | 13.3      | 3.20     | 49.7     | 13.3      | 3.19     | 49.7     |           |
|                     | 60                              | 12.6                                | 3.18   | 48.8     | 13.6      | 3.46     | 49.1     | 14.0      | 3.50     | 49.2     | 14.2      | 3.51     | 49.2     | 14.3      | 3.52     | 49.3     | 14.6      | 3.53     | 49.3     | 14.7      | 3.53     | 49.3     | 14.7      | 3.53     | 49.3     |           |
|                     | 96                              | 12.6                                | 2.79   | 47.3     | 15.0      | 3.69     | 47.8     | 17.1      | 4.54     | 48.2     | 17.4      | 4.57     | 48.3     | 17.6      | 4.59     | 48.3     | 18.1      | 4.62     | 48.4     | 18.4      | 4.64     | 48.4     | 18.4      | 4.64     | 48.4     |           |
|                     | 120                             | 12.6                                | 2.71   | 46.8     | 15.0      | 3.56     | 47.2     | 17.5      | 4.53     | 47.6     | 18.7      | 5.06     | 47.8     | 19.3      | 5.26     | 47.9     | 19.8      | 5.31     | 48.0     | 20.2      | 5.34     | 48.1     | 20.2      | 5.34     | 48.1     |           |
| 60                  | 10                              | 50                                  | 10.81  | 1.16     | 13.4      | 12.9     | 1.45     | 14.1      | 15.0     | 1.78     | 14.8      | 16.0     | 1.95     | 15.2      | 17.1     | 2.14     | 15.5      | 19.1     | 2.54     | 16.2      | 21.2     | 2.98     | 16.9      | 21.2     | 2.98     | 16.9      |
|                     |                                 | 60                                  | 10.81  | 1.14     | 12.9      | 12.9     | 1.42     | 13.4      | 15.0     | 1.75     | 14.0      | 16.0     | 1.92     | 14.3      | 17.1     | 2.10     | 14.6      | 19.1     | 2.50     | 15.2      | 21.2     | 2.92     | 15.8      | 21.2     | 2.92     | 15.8      |
|                     |                                 | 96                                  | 10.81  | 1.09     | 11.8      | 12.9     | 1.36     | 12.1      | 15.0     | 1.66     | 12.5      | 16.0     | 1.83     | 12.7      | 17.1     | 2.00     | 12.8      | 19.1     | 2.37     | 13.2      | 21.2     | 2.78     | 13.6      | 21.2     | 2.78     | 13.6      |
|                     |                                 | 120                                 | 10.81  | 1.07     | 11.4      | 12.9     | 1.33     | 11.7      | 15.0     | 1.63     | 12.0      | 16.0     | 1.79     | 12.1      | 17.1     | 1.96     | 12.3      | 19.1     | 2.33     | 12.6      | 21.2     | 2.72     | 12.9      | 21.2     | 2.72     | 12.9      |
|                     | 15                              | 50                                  | 10.81  | 1.20     | 18.4      | 12.9     | 1.50     | 19.1      | 15.0     | 1.84     | 19.8      | 16.0     | 2.02     | 20.2      | 17.1     | 2.22     | 20.5      | 19.1     | 2.63     | 21.2      | 21.2     | 3.08     | 22.0      | 21.2     | 3.08     | 22.0      |
|                     |                                 | 60                                  | 10.81  | 1.18     | 17.9      | 12.9     | 1.47     | 18.4      | 15.0     | 1.81     | 19.0      | 16.0     | 1.99     | 19.3      | 17.1     | 2.18     | 19.6      | 19.1     | 2.58     | 20.2      | 21.2     | 3.03     | 20.8      | 21.2     | 3.03     | 20.8      |
|                     |                                 | 96                                  | 10.81  | 1.12     | 16.8      | 12.9     | 1.40     | 17.1      | 15.0     | 1.72     | 17.5      | 16.0     | 1.89     | 17.7      | 17.1     | 2.07     | 17.9      | 19.1     | 2.46     | 18.2      | 21.2     | 2.88     | 18.6      | 21.2     | 2.88     | 18.6      |
|                     |                                 | 120                                 | 10.81  | 1.10     | 16.4      | 12.9     | 1.38     | 16.7      | 15.0     | 1.69     | 17.0      | 16.0     | 1.86     | 17.1      | 17.1     | 2.03     | 17.3      | 19.1     | 2.41     | 17.6      | 21.2     | 2.82     | 17.9      | 21.2     | 2.82     | 17.9      |
|                     | 20                              | 50                                  | 10.8   | 1.24     | 23.5      | 12.9     | 1.56     | 24.1      | 15.0     | 1.91     | 24.8      | 16.0     | 2.10     | 25.2      | 17.1     | 2.30     | 25.6      | 19.1     | 2.73     | 26.3      | 21.2     | 3.20     | 27.0      | 21.2     | 3.20     | 27.0      |
|                     |                                 | 60                                  | 10.8   | 1.22     | 22.9      | 12.9     | 1.53     | 23.4      | 15.0     | 1.87     | 24.0      | 16.0     | 2.06     | 24.3      | 17.1     | 2.26     | 24.6      | 19.1     | 2.68     | 25.2      | 21.2     | 3.14     | 25.8      | 21.2     | 3.14     | 25.8      |
|                     |                                 | 96                                  | 10.8   | 1.16     | 21.8      | 12.9     | 1.46     | 22.1      | 15.0     | 1.79     | 22.5      | 16.0     | 1.96     | 22.7      | 17.1     | 2.15     | 22.9      | 19.1     | 2.55     | 23.2      | 21.2     | 2.99     | 23.6      | 21.2     | 2.99     | 23.6      |
|                     |                                 | 120                                 | 10.8   | 1.14     | 21.4      | 12.9     | 1.43     | 21.7      | 15.0     | 1.75     | 22.0      | 16.0     | 1.93     | 22.1      | 17.1     | 2.11     | 22.3      | 19.1     | 2.50     | 22.6      | 21.2     | 2.93     | 22.9      | 21.2     | 2.93     | 22.9      |
| 25                  | 50                              | 10.8                                | 1.44   | 28.5     | 12.9      | 1.81     | 29.2     | 15.0      | 2.23     | 29.9     | 16.0      | 2.46     | 30.3     | 17.1      | 2.70     | 30.7     | 19.1      | 3.21     | 31.4     | 21.2      | 3.77     | 32.2     | 21.2      | 3.77     | 32.2     |           |
|                     | 60                              | 10.8                                | 1.42   | 2        |           |          |          |           |          |          |           |          |          |           |          |          |           |          |          |           |          |          |           |          |          |           |

# 4 Capacity tables

## 4 - 2 Cooling capacity tables

| RWEYQ16PY1      |                        | TC: Total Capacity: kW ; PI: Power Input: kW (compressor + outdoor fan motor) ; OWT: Outlet Water Temperatur: °C |                              |      |      |      |      |      |      |      |      |      |      |      |      |      |      |      |      |      |      |      |      |
|-----------------|------------------------|--|------------------------------|------|------|------|------|------|------|------|------|------|------|------|------|------|------|------|------|------|------|------|------|
| Combination (%) | Inlet Water Temp. (°C) | Water Volume (note2) L/min   | Indoor air temperature: °CWB |      |      |      |      |      |      |      |      |      |      |      |      |      |      |      |      |      |      |      |      |
|                 |                        |  | 14.0                         |      |      | 16.0 |      |      | 18.0 |      |      | 19.0 |      |      | 20.0 |      |      | 22.0 |      |      | 24.0 |      |      |
|                 |                        |  | TC                           | PI   | OWT  | TC   | PI   | OWT  | TC   | PI   | OWT  | TC   | PI   | OWT  | TC   | PI   | OWT  | TC   | PI   | OWT  | TC   | PI   | OWT  |
| 130             | 10                     | 50   | 39.3                         | 5.25 | 16.4 | 46.9 | 6.99 | 17.7 | 51.2 | 7.39 | 18.4 | 52.0 | 7.42 | 18.5 | 52.7 | 7.45 | 53.8 | 7.50 | 18.8 | 54.8 | 7.52 | 18.9 |      |
|                 |                        | 60   | 39.3                         | 5.15 | 15.3 | 46.9 | 6.85 | 16.4 | 51.5 | 7.32 | 17.0 | 52.2 | 7.35 | 17.1 | 52.9 | 7.38 | 17.2 | 54.1 | 7.42 | 17.4 | 55.0 | 7.45 | 17.5 |
|                 |                        | 120  | 39.3                         | 4.89 | 13.3 | 46.9 | 6.50 | 14.0 | 52.1 | 7.12 | 14.4 | 52.9 | 7.15 | 14.5 | 53.6 | 7.18 | 14.6 | 54.8 | 7.22 | 14.6 | 55.8 | 7.25 | 14.7 |
|                 | 15                     | 50   | 39.3                         | 5.43 | 21.4 | 46.9 | 7.24 | 22.8 | 50.3 | 7.61 | 23.3 | 51.0 | 7.64 | 23.4 | 51.7 | 7.67 | 23.5 | 52.8 | 7.72 | 23.7 | 53.7 | 7.74 | 23.8 |
|                 |                        | 60   | 39.3                         | 5.33 | 20.3 | 46.9 | 7.10 | 21.4 | 50.5 | 7.53 | 21.9 | 51.3 | 7.56 | 22.0 | 52.0 | 7.59 | 22.1 | 53.1 | 7.64 | 22.3 | 54.0 | 7.67 | 22.4 |
|                 |                        | 120  | 39.3                         | 5.06 | 18.3 | 46.9 | 6.73 | 19.0 | 51.2 | 7.32 | 19.4 | 51.9 | 7.36 | 19.4 | 52.6 | 7.39 | 19.5 | 53.8 | 7.44 | 19.6 | 54.7 | 7.46 | 19.6 |
|                 | 20                     | 50   | 39.3                         | 5.65 | 26.4 | 46.9 | 7.52 | 27.8 | 49.1 | 7.82 | 28.5 | 49.8 | 7.86 | 28.3 | 50.5 | 7.89 | 28.4 | 51.5 | 7.94 | 28.5 | 52.3 | 7.96 | 28.6 |
|                 |                        | 60   | 39.3                         | 5.54 | 25.4 | 46.9 | 7.38 | 26.5 | 49.4 | 7.75 | 26.8 | 50.1 | 7.78 | 26.9 | 50.7 | 7.81 | 27.0 | 51.8 | 7.86 | 27.1 | 52.6 | 7.89 | 27.2 |
|                 |                        | 120  | 39.3                         | 5.26 | 23.3 | 46.9 | 7.00 | 24.0 | 50.0 | 7.53 | 24.3 | 50.7 | 7.57 | 24.4 | 51.4 | 7.60 | 24.4 | 52.5 | 7.65 | 24.5 | 53.3 | 7.68 | 24.6 |
|                 | 25                     | 50   | 39.3                         | 6.16 | 32.7 | 46.9 | 8.66 | 33.2 | 47.5 | 9.03 | 34.0 | 50.9 | 9.07 | 34.1 | 51.6 | 9.10 | 34.2 | 52.7 | 9.17 | 34.3 | 53.6 | 9.20 | 34.3 |
|                 |                        | 60   | 39.3                         | 6.06 | 31.6 | 46.1 | 8.61 | 32.8 | 47.7 | 8.70 | 33.1 | 48.3 | 8.74 | 33.2 | 48.9 | 8.77 | 33.3 | 49.9 | 8.81 | 33.4 | 50.6 | 8.84 | 33.5 |
|                 |                        | 120  | 39.3                         | 5.66 | 27.6 | 46.9 | 8.10 | 28.3 | 48.7 | 8.29 | 28.4 | 49.4 | 8.33 | 28.4 | 50.0 | 8.36 | 28.5 | 51.1 | 8.41 | 28.6 | 51.8 | 8.43 | 28.6 |
| 30              | 50                     | 39.3   | 7.89                         | 36.8 | 44.5 | 9.48 | 37.7 | 45.9 | 9.58 | 38.0 | 46.6 | 9.62 | 38.1 | 47.1 | 9.65 | 38.1 | 47.9 | 9.69 | 38.3 | 48.5 | 9.71 | 38.3 |      |
|                 | 60                     | 39.3   | 7.73                         | 35.6 | 44.7 | 9.39 | 36.5 | 46.2 | 9.49 | 36.6 | 46.8 | 9.52 | 36.7 | 47.3 | 9.56 | 36.8 | 48.2 | 9.60 | 36.9 | 48.8 | 9.61 | 37.0 |      |
|                 | 120                    | 39.3   | 7.20                         | 32.8 | 45.5 | 9.03 | 33.3 | 47.0 | 9.13 | 33.4 | 47.6 | 9.17 | 33.4 | 48.2 | 9.20 | 33.4 | 49.1 | 9.25 | 33.5 | 49.7 | 9.26 | 33.5 |      |
| 35              | 50                     | 39.3   | 9.42                         | 42.0 | 42.6 | 10.4 | 42.6 | 43.9 | 10.5 | 42.8 | 44.4 | 10.5 | 42.9 | 44.9 | 10.5 | 42.9 | 45.6 | 10.6 | 43.1 | 46.0 | 10.6 | 43.1 |      |
|                 | 60                     | 39.3   | 9.24                         | 40.8 | 42.8 | 10.3 | 41.3 | 44.1 | 10.4 | 41.5 | 44.7 | 10.4 | 41.6 | 45.1 | 10.4 | 41.6 | 45.8 | 10.5 | 41.7 | 46.3 | 10.5 | 41.8 |      |
|                 | 120                    | 39.3   | 8.60                         | 37.9 | 43.5 | 9.88 | 38.2 | 44.9 | 9.98 | 38.3 | 45.5 | 10.0 | 38.3 | 46.0 | 10.0 | 38.3 | 46.7 | 10.1 | 38.4 | 47.2 | 10.1 | 38.4 |      |
| 40              | 50                     | 31.9   | 7.64                         | 45.7 | 32.9 | 7.70 | 45.8 | 33.5 | 7.72 | 45.9 | 33.6 | 7.71 | 45.9 | 33.6 | 7.68 | 45.9 | 33.3 | 7.60 | 45.9 | 32.5 | 7.47 | 45.7 |      |
|                 | 60                     | 33.6   | 8.25                         | 45.0 | 34.7 | 8.33 | 45.1 | 35.5 | 8.37 | 45.2 | 35.7 | 8.37 | 45.3 | 35.8 | 8.36 | 45.3 | 35.7 | 8.30 | 45.3 | 35.2 | 8.20 | 45.2 |      |
|                 | 120                    | 38.5   | 9.08                         | 42.8 | 40.0 | 9.20 | 42.9 | 41.2 | 9.27 | 43.0 | 41.6 | 9.30 | 43.0 | 42.0 | 9.32 | 43.1 | 42.5 | 9.32 | 43.1 | 42.6 | 9.29 | 43.1 |      |
| 45              | 50                     | 22.4   | 4.82                         | 48.9 | 22.1 | 4.75 | 48.9 | 21.2 | 4.62 | 48.7 | 20.5 | 4.52 | 48.6 | 19.7 | 4.41 | 48.5 | 17.5 | 4.14 | 48.1 | 14.6 | 3.81 | 47.6 |      |
|                 | 60                     | 24.5   | 5.32                         | 48.6 | 24.6 | 5.29 | 48.6 | 24.1 | 5.20 | 48.5 | 23.7 | 5.12 | 48.4 | 23.0 | 5.04 | 48.4 | 21.4 | 4.82 | 48.1 | 19.1 | 4.55 | 47.8 |      |
|                 | 120                    | 33.5   | 8.03                         | 47.5 | 34.6 | 8.11 | 47.6 | 35.4 | 8.14 | 47.6 | 35.6 | 8.14 | 47.6 | 35.7 | 8.13 | 47.6 | 35.6 | 8.08 | 47.6 | 35.1 | 7.98 | 47.6 |      |
| 10              | 50                     | 36.3   | 4.63                         | 15.9 | 43.3 | 6.13 | 17.1 | 50.3 | 7.34 | 18.3 | 51.1 | 7.38 | 18.4 | 51.8 | 7.41 | 18.5 | 53.0 | 7.47 | 18.7 | 54.1 | 7.50 | 18.8 |      |
|                 | 60                     | 36.3   | 4.54                         | 14.9 | 43.3 | 6.01 | 15.9 | 50.3 | 7.26 | 16.9 | 51.3 | 7.31 | 17.0 | 52.0 | 7.34 | 17.1 | 53.3 | 7.39 | 17.2 | 54.3 | 7.43 | 17.4 |      |
|                 | 120                    | 36.3   | 4.23                         | 12.4 | 43.3 | 5.59 | 12.9 | 50.3 | 6.93 | 13.4 | 52.2 | 7.03 | 13.5 | 52.9 | 7.07 | 13.6 | 54.2 | 7.12 | 13.7 | 55.3 | 7.16 | 13.7 |      |
| 15              | 50                     | 36.3   | 4.79                         | 20.9 | 43.3 | 6.34 | 22.1 | 49.4 | 7.56 | 23.2 | 50.2 | 7.60 | 23.3 | 50.9 | 7.63 | 23.4 | 52.1 | 7.69 | 23.6 | 53.0 | 7.72 | 23.7 |      |
|                 | 60                     | 36.3   | 4.70                         | 19.9 | 43.3 | 6.22 | 20.9 | 49.7 | 7.49 | 21.8 | 50.4 | 7.52 | 21.9 | 51.1 | 7.56 | 22.0 | 52.3 | 7.61 | 22.2 | 53.3 | 7.65 | 22.3 |      |
|                 | 120                    | 36.3   | 4.46                         | 18.0 | 43.3 | 5.91 | 18.7 | 50.3 | 7.28 | 19.3 | 51.0 | 7.32 | 19.4 | 51.7 | 7.35 | 19.4 | 53.0 | 7.40 | 19.5 | 54.0 | 7.44 | 19.6 |      |
| 20              | 50                     | 36.3   | 4.38                         | 17.4 | 43.3 | 5.79 | 17.9 | 50.3 | 7.19 | 18.4 | 51.3 | 7.24 | 18.5 | 52.0 | 7.27 | 18.5 | 53.2 | 7.33 | 18.6 | 54.3 | 7.37 | 18.7 |      |
|                 | 60                     | 36.3   | 4.98                         | 25.9 | 43.3 | 6.60 | 27.1 | 48.3 | 7.78 | 28.0 | 49.0 | 7.82 | 28.1 | 49.7 | 7.85 | 28.2 | 50.8 | 7.91 | 28.4 | 51.7 | 7.94 | 28.6 |      |
|                 | 120                    | 36.3   | 4.55                         | 23.1 | 43.3 | 6.02 | 22.9 | 49.3 | 7.41 | 24.4 | 50.1 | 7.45 | 24.4 | 50.8 | 7.48 | 24.5 | 51.7 | 7.54 | 24.6 | 52.9 | 7.58 | 24.6 |      |
| 25              | 50                     | 36.3   | 5.86                         | 31.0 | 43.3 | 7.78 | 32.3 | 46.9 | 8.65 | 33.0 | 47.6 | 8.69 | 33.1 | 48.2 | 8.73 | 33.2 | 49.2 | 8.78 | 33.3 | 50.1 | 8.82 | 33.4 |      |
|                 | 60                     | 36.3   | 5.75                         | 30.0 | 43.3 | 7.64 | 31.1 | 47.1 | 8.56 | 31.6 | 47.8 | 8.60 | 31.7 | 48.4 | 8.64 | 31.8 | 49.5 | 8.70 | 32.0 | 50.3 | 8.74 | 32.1 |      |
|                 | 120                    | 36.3   | 5.46                         | 28.1 | 43.3 | 7.25 | 28.8 | 47.7 | 8.33 | 29.2 | 48.4 | 8.37 | 29.2 | 49.0 | 8.41 | 29.3 | 50.1 | 8.46 | 29.4 | 51.0 | 8.50 | 29.4 |      |
| 30              | 50                     | 36.3   | 6.93                         | 36.2 | 43.3 | 9.23 | 37.5 | 45.2 | 9.53 | 37.8 | 45.8 | 9.57 | 37.9 | 46.4 | 9.61 | 38.0 | 47.4 | 9.67 | 38.2 | 48.1 | 9.70 | 38.3 |      |
|                 | 60                     | 36.3   | 6.80                         | 35.1 | 43.3 | 9.06 | 36.3 | 45.4 | 9.43 | 36.5 | 46.0 | 9.48 | 36.6 | 46.6 | 9.51 | 36.7 | 47.6 | 9.57 | 36.8 | 48.3 | 9.60 | 36.9 |      |
|                 | 120                    | 36.3   | 6.33                         | 32.5 | 43.3 | 8.42 | 33.1 | 46.2 | 9.08 | 33.3 | 46.8 | 9.12 | 33.3 | 47.4 | 9.16 | 33.4 | 48.5 | 9.22 | 33.4 | 49.3 | 9.25 | 33.5 |      |
| 35              | 50                     | 36.3   | 8.27                         | 41.4 | 41.8 | 10.3 | 42.5 | 43.2 | 10.4 | 42.7 | 43.8 | 10.5 | 42.8 | 44.3 | 10.5 | 42.9 | 45.1 | 10.5 | 43.0 | 45.7 | 10.6 | 43.1 |      |
|                 | 60                     | 36.3   | 8.11                         | 40.3 | 42.0 | 10.2 | 41.2 | 43.4 | 10.3 | 41.4 | 44.0 | 10.4 | 41.5 | 44.5 | 10.4 | 41.6 | 45.4 | 10.4 | 41.7 | 46.0 | 10.5 | 41.7 |      |
|                 | 120                    | 36.3   | 7.75                         | 38.3 | 42.7 | 9.82 | 38.1 | 44.2 | 9.93 | 38.2 | 44.6 | 10.1 | 39.1 | 45.1 | 10.1 | 39.1 | 46.0 | 10.2 | 39.2 | 46.6 | 10.2 | 39.2 |      |
| 40              | 50                     | 31.4   | 7.60                         | 45.6 | 32.5 | 7.68 | 45.8 | 33.2 | 7.71 | 45.9 | 33.4 | 7.72 | 45.9 | 33.5 | 7.71 | 45.9 | 33.5 | 7.66 | 45.9 | 33.1 | 7.58 | 45.8 |      |
|                 | 60                     | 33.0   | 8.21                         | 44.9 | 34.2 | 8.30 | 45.1 | 35.1 | 8.35 | 45.2 | 35.4 | 8.36 | 45.2 | 35.6 | 8.37 | 45.3 | 35.8 | 8.34 | 45.3 | 35.6 | 8.28 | 45.2 |      |
|                 | 120                    | 36.3   | 8.29                         | 42.7 | 39.3 | 9.15 | 42.9 | 40.6 | 9.23 | 43.0 | 41.1 | 9.27 | 43.0 | 41.1 | 9.29 | 43.0 | 42.2 | 9.32 | 43.1 | 42.5 | 9.32 | 43.1 |      |
| 45              | 50                     | 22.3   | 4.83                         | 48.9 | 22.3 | 4.80 | 48.9 | 21.8 | 4.70 | 48.8 | 21.3 | 4.63 | 48.7 | 20.7 | 4.55 | 48.6 | 19.1 | 4.34 | 48.4 | 16.9 | 4.08 | 48.0 |      |
|                 | 60                     | 24.3   | 5.32                         | 48.5 | 24.7 | 5.31 | 48.6 | 24.5 | 5.25 | 48.6 | 24.2 | 5.21 | 48.5 | 23.8 | 5.14 | 48.5 | 22.6 | 4.98 | 48.3 | 20.9 | 4.77 | 48.1 |      |
|                 | 120                    | 33.0   | 7.99                         | 47.4 | 34.2 | 8.08 | 47.5 | 35.0 | 8.13 | 47.6 | 35.3 | 8.14 | 47.6 | 35.8 | 8.14 | 47.6 | 35.7 | 8.12 | 47.6 | 35.5 | 8.06 | 47.6 |      |
| 10              | 50                     | 33.3   | 4.04                         | 15.3 | 39.7 | 5.33 | 16.4 | 46.1 | 6.79 | 17.6 | 49.3 | 7.29 | 18.1 | 50.8 | 7.37 | 18.3 | 52.1 | 7.43 | 18.5 | 53.2 | 7.47 | 18.7 |      |
|                 | 60                     | 33.3   | 3.97                         | 14.4 | 39.7 | 5.22 | 15.4 | 46.1 | 6.66 | 16.3 | 49.0 | 7.20 | 16.7 | 51.0 | 7.30 | 17.0 | 52.3 | 7.35 | 17.1 | 53.5 | 7.40 | 17.3 |      |
|                 | 120                    | 33.3   | 3.77                         | 12.8 | 39.7 | 4.96 | 13.3 | 46.1 | 6.32 | 13.9 | 49.3 | 6.97 | 14.2 | 51.7 | 7.10 | 14.4 | 53.0 | 7.15 | 14.5 | 54.1 | 7.20 | 14.6 |      |
| 15              | 50                     | 33.3   | 4.19                         | 20.4 | 39.7 | 5.51 | 21.5 | 46.1 | 7.03 | 22.6 | 49.2 |      |      |      |      |      |      |      |      |      |      |      |      |

# 4 Capacity tables

## 4 - 2 Cooling capacity tables

| RWEYQ16PY1      |                        |                            | TC: Total Capacity: kW ; PI: Power Input: kW (compressor + outdoor fan motor) ; OWT: Outlet Water Temperatur: °C |      |      |      |      |      |      |      |      |      |      |      |       |      |      |      |      |      |      |      |      |  |  |  |
|-----------------|------------------------|----------------------------|--|------|------|------|------|------|------|------|------|------|------|------|-------|------|------|------|------|------|------|------|------|--|--|--|
| Combination (%) | Inlet Water Temp. (°C) | Water Volume (note2) L/min | Indoor air temperature: °CWB   |      |      |      |      |      |      |      |      |      |      |      |       |      |      |      |      |      |      |      |      |  |  |  |
|                 |                        |                            | 14.0   |      |      | 16.0 |      |      | 18.0 |      |      | 19.0 |      |      | 20.0  |      |      | 22.0 |      |      | 24.0 |      |      |  |  |  |
|                 |                        |                            | TC   | PI   | OWT  | TC   | PI   | OWT  | TC   | PI   | OWT  | TC   | PI   | OWT  | TC    | PI   | OWT  | TC   | PI   | OWT  | TC   | PI   | OWT  |  |  |  |
| 100             | 10                     | 50                         | 30.2   | 3.50 | 14.8 | 36.1 | 4.58 | 15.8 | 41.9 | 5.81 | 16.8 | 44.8 | 6.48 | 17.4 | 47.7  | 7.19 | 17.9 | 51.0 | 7.38 | 18.4 | 52.2 | 7.43 | 18.5 |  |  |  |
|                 |                        | 60                         | 30.2   | 3.44 | 14.0 | 36.1 | 4.50 | 14.8 | 41.9 | 5.70 | 15.7 | 44.8 | 6.36 | 16.1 | 47.7  | 7.06 | 16.5 | 51.3 | 7.31 | 17.0 | 52.4 | 7.36 | 17.1 |  |  |  |
|                 |                        | 96                         | 30.2   | 3.27 | 12.5 | 36.1 | 4.27 | 13.0 | 41.9 | 5.41 | 13.5 | 44.8 | 6.04 | 13.8 | 47.7  | 6.69 | 14.1 | 51.9 | 7.11 | 14.4 | 53.1 | 7.16 | 14.5 |  |  |  |
|                 |                        | 120                        | 30.2   | 3.21 | 12.0 | 36.1 | 4.19 | 12.4 | 41.9 | 5.31 | 12.8 | 44.8 | 5.92 | 13.0 | 47.7  | 6.56 | 13.2 | 52.1 | 7.03 | 13.5 | 53.3 | 7.08 | 13.6 |  |  |  |
|                 | 15                     | 50                         | 30.2   | 3.63 | 19.9 | 36.1 | 4.74 | 20.8 | 41.9 | 6.02 | 21.9 | 44.8 | 6.71 | 22.4 | 47.7  | 7.45 | 22.9 | 50.1 | 7.60 | 23.3 | 51.2 | 7.65 | 23.4 |  |  |  |
|                 |                        | 60                         | 30.2   | 3.56 | 19.0 | 36.1 | 4.65 | 19.9 | 41.9 | 5.90 | 20.7 | 44.8 | 6.59 | 21.1 | 47.7  | 7.31 | 21.6 | 50.4 | 7.52 | 21.9 | 51.5 | 7.57 | 22.1 |  |  |  |
|                 |                        | 96                         | 30.2   | 3.39 | 17.5 | 36.1 | 4.42 | 18.0 | 41.9 | 5.60 | 18.5 | 44.8 | 6.25 | 18.8 | 47.7  | 6.93 | 19.1 | 51.0 | 7.32 | 19.4 | 52.1 | 7.37 | 19.4 |  |  |  |
|                 |                        | 120                        | 30.2   | 3.32 | 17.0 | 36.1 | 4.34 | 17.4 | 41.9 | 5.50 | 17.8 | 44.8 | 6.13 | 18.0 | 47.7  | 6.79 | 18.3 | 51.2 | 7.24 | 18.5 | 52.4 | 7.29 | 18.6 |  |  |  |
|                 | 20                     | 50                         | 30.2   | 3.77 | 24.9 | 36.1 | 4.93 | 25.9 | 41.9 | 6.26 | 26.9 | 44.8 | 6.98 | 27.4 | 47.7  | 7.75 | 28.0 | 49.0 | 7.81 | 28.1 | 50.0 | 7.87 | 28.3 |  |  |  |
|                 |                        | 60                         | 30.2   | 3.70 | 24.1 | 36.1 | 4.84 | 24.9 | 41.9 | 6.14 | 25.7 | 44.8 | 6.85 | 26.2 | 47.7  | 7.60 | 26.6 | 49.2 | 7.74 | 26.8 | 50.3 | 7.79 | 28.9 |  |  |  |
|                 |                        | 96                         | 30.2   | 3.52 | 22.5 | 36.1 | 4.60 | 23.0 | 41.9 | 5.83 | 23.6 | 44.8 | 6.50 | 23.8 | 47.7  | 7.21 | 24.1 | 49.8 | 7.53 | 24.3 | 50.9 | 7.58 | 24.4 |  |  |  |
|                 |                        | 120                        | 30.2   | 3.45 | 22.0 | 36.1 | 4.51 | 22.4 | 41.9 | 5.71 | 22.8 | 44.8 | 6.37 | 23.1 | 47.7  | 7.06 | 23.3 | 50.0 | 7.45 | 23.4 | 51.1 | 7.50 | 23.5 |  |  |  |
| 25              | 50                     | 30.2                       | 4.42   | 30.0 | 36.1 | 5.80 | 31.0 | 41.9 | 7.38 | 32.1 | 44.8 | 8.24 | 32.6 | 46.3 | 8.62  | 32.9 | 45.5 | 8.69 | 33.1 | 48.5 | 8.75 | 33.2 |      |  |  |  |
|                 | 60                     | 30.2                       | 4.34   | 29.1 | 36.1 | 5.69 | 30.0 | 41.9 | 7.24 | 30.9 | 44.8 | 8.08 | 31.3 | 46.5 | 8.53  | 31.6 | 47.7 | 8.60 | 31.7 | 48.8 | 8.66 | 31.9 |      |  |  |  |
|                 | 96                     | 30.2                       | 4.13   | 27.6 | 36.1 | 5.41 | 28.1 | 41.9 | 6.87 | 28.6 | 44.8 | 7.67 | 28.9 | 47.1 | 8.30  | 29.1 | 48.3 | 8.37 | 29.2 | 49.4 | 8.43 | 29.3 |      |  |  |  |
|                 | 120                    | 30.2                       | 4.05   | 27.0 | 36.1 | 5.30 | 27.5 | 41.9 | 6.74 | 27.9 | 44.8 | 7.52 | 28.1 | 47.3 | 8.21  | 28.3 | 48.6 | 8.28 | 28.4 | 49.6 | 8.34 | 28.5 |      |  |  |  |
| 30              | 50                     | 30.2                       | 5.21   | 35.1 | 36.1 | 6.86 | 36.2 | 41.9 | 8.75 | 37.3 | 44.1 | 9.45 | 37.7 | 44.7 | 9.49  | 37.8 | 45.8 | 9.57 | 37.9 | 46.7 | 9.63 | 38.1 |      |  |  |  |
|                 | 60                     | 30.2                       | 5.12   | 34.2 | 36.1 | 6.73 | 35.1 | 41.9 | 8.58 | 36.0 | 44.3 | 9.36 | 36.4 | 44.9 | 9.40  | 36.5 | 46.0 | 9.47 | 36.6 | 46.9 | 9.53 | 36.7 |      |  |  |  |
|                 | 96                     | 30.2                       | 4.86   | 32.6 | 36.1 | 6.39 | 33.2 | 41.9 | 8.14 | 33.7 | 44.8 | 9.10 | 34.0 | 45.4 | 9.14  | 34.1 | 46.6 | 9.22 | 34.2 | 47.6 | 9.28 | 34.2 |      |  |  |  |
|                 | 120                    | 30.2                       | 4.77   | 32.1 | 36.1 | 6.27 | 32.5 | 41.9 | 7.98 | 33.0 | 44.8 | 8.92 | 33.2 | 45.6 | 9.05  | 33.3 | 46.8 | 9.12 | 33.3 | 47.8 | 9.18 | 33.4 |      |  |  |  |
| 35              | 50                     | 30.2                       | 6.19   | 40.2 | 36.1 | 8.19 | 41.3 | 41.5 | 10.3 | 42.4 | 42.2 | 10.3 | 42.5 | 42.7 | 10.4  | 42.6 | 43.8 | 10.5 | 42.8 | 44.6 | 10.5 | 42.9 |      |  |  |  |
|                 | 60                     | 30.2                       | 6.08   | 39.3 | 36.1 | 8.03 | 40.3 | 41.7 | 10.2 | 41.2 | 42.3 | 10.2 | 41.3 | 42.9 | 10.3  | 41.4 | 44.0 | 10.4 | 41.5 | 44.8 | 10.4 | 41.6 |      |  |  |  |
|                 | 96                     | 30.2                       | 5.78   | 37.7 | 36.1 | 7.62 | 38.3 | 41.9 | 9.74 | 38.9 | 42.9 | 9.95 | 38.9 | 43.5 | 10.00 | 39.0 | 44.5 | 10.1 | 39.1 | 45.4 | 10.1 | 39.1 |      |  |  |  |
|                 | 120                    | 30.2                       | 5.67   | 37.1 | 36.1 | 7.48 | 37.6 | 41.9 | 9.55 | 38.1 | 43.1 | 9.85 | 38.2 | 43.7 | 9.89  | 38.2 | 44.7 | 9.97 | 38.3 | 45.6 | 10.0 | 38.3 |      |  |  |  |
| 40              | 50                     | 30.2                       | 7.50   | 45.4 | 31.4 | 7.60 | 45.6 | 32.3 | 7.67 | 45.7 | 32.7 | 7.69 | 45.8 | 33.0 | 7.71  | 45.8 | 33.4 | 7.72 | 45.9 | 33.6 | 7.70 | 45.9 |      |  |  |  |
|                 | 60                     | 30.2                       | 7.34   | 44.5 | 30.8 | 8.20 | 44.9 | 34.0 | 8.28 | 45.1 | 34.5 | 8.31 | 45.1 | 34.8 | 8.34  | 45.2 | 35.4 | 8.36 | 45.2 | 35.7 | 8.36 | 45.3 |      |  |  |  |
|                 | 96                     | 30.2                       | 6.38   | 42.7 | 36.1 | 8.49 | 43.3 | 38.7 | 9.28 | 43.6 | 39.3 | 9.32 | 43.6 | 39.8 | 9.36  | 43.7 | 40.7 | 9.42 | 43.7 | 41.4 | 9.46 | 43.8 |      |  |  |  |
|                 | 120                    | 30.2                       | 6.18   | 42.2 | 36.1 | 8.21 | 42.6 | 39.1 | 9.12 | 42.9 | 39.6 | 9.17 | 42.9 | 40.2 | 9.21  | 42.9 | 41.1 | 9.27 | 43.0 | 41.7 | 9.31 | 43.0 |      |  |  |  |
| 45              | 50                     | 21.8                       | 4.82   | 48.8 | 22.3 | 4.83 | 48.9 | 22.3 | 4.81 | 48.9 | 22.2 | 4.78 | 48.9 | 22.0 | 4.74  | 48.8 | 21.3 | 4.64 | 48.7 | 20.3 | 4.49 | 48.6 |      |  |  |  |
|                 | 60                     | 23.7                       | 5.28   | 48.5 | 24.3 | 5.32 | 48.5 | 24.6 | 5.32 | 48.6 | 24.7 | 5.31 | 48.6 | 24.6 | 5.28  | 48.6 | 24.2 | 5.21 | 48.5 | 23.5 | 5.10 | 48.4 |      |  |  |  |
|                 | 96                     | 29.0                       | 6.87   | 47.7 | 30.1 | 6.96 | 47.8 | 30.9 | 7.01 | 47.8 | 31.2 | 7.03 | 47.9 | 31.5 | 7.04  | 47.9 | 31.8 | 7.04 | 47.9 | 31.8 | 7.01 | 47.9 |      |  |  |  |
|                 | 120                    | 30.2                       | 7.18   | 47.2 | 32.9 | 7.99 | 47.4 | 33.9 | 8.06 | 47.5 | 34.4 | 8.09 | 47.5 | 34.7 | 8.12  | 47.6 | 35.3 | 8.14 | 47.6 | 35.6 | 8.14 | 47.6 |      |  |  |  |
| 90              | 10                     | 50                         | 27.2   | 3.00 | 14.3 | 32.5 | 3.90 | 15.2 | 37.7 | 4.91 | 16.1 | 40.3 | 5.47 | 16.6 | 42.9  | 6.05 | 17.0 | 48.2 | 6.72 | 17.9 | 51.0 | 7.38 | 18.4 |  |  |  |
|                 |                        | 60                         | 27.2   | 2.95 | 13.6 | 32.5 | 3.82 | 14.3 | 37.7 | 4.82 | 15.1 | 40.3 | 5.36 | 15.5 | 42.9  | 5.94 | 15.8 | 48.2 | 6.74 | 16.6 | 51.2 | 7.31 | 17.0 |  |  |  |
|                 |                        | 96                         | 27.2   | 2.81 | 12.2 | 32.5 | 3.64 | 12.7 | 37.7 | 4.58 | 13.2 | 40.3 | 5.09 | 13.4 | 42.9  | 5.63 | 13.6 | 48.2 | 6.80 | 14.1 | 51.9 | 7.11 | 14.4 |  |  |  |
|                 |                        | 120                        | 27.2   | 2.76 | 11.8 | 32.5 | 3.57 | 12.2 | 37.7 | 4.49 | 12.5 | 40.3 | 4.99 | 12.7 | 42.9  | 5.52 | 12.9 | 48.2 | 6.67 | 13.3 | 52.1 | 7.03 | 13.5 |  |  |  |
|                 | 15                     | 50                         | 27.2   | 3.11 | 19.3 | 32.5 | 4.03 | 20.2 | 37.7 | 5.09 | 21.1 | 40.3 | 5.66 | 21.6 | 42.9  | 6.27 | 22.1 | 48.2 | 7.48 | 23.0 | 50.1 | 7.60 | 23.3 |  |  |  |
|                 |                        | 60                         | 27.2   | 3.05 | 18.6 | 32.5 | 3.96 | 19.4 | 37.7 | 4.99 | 20.1 | 40.3 | 5.55 | 20.5 | 42.9  | 6.15 | 20.9 | 48.2 | 7.39 | 21.6 | 50.3 | 7.52 | 21.9 |  |  |  |
|                 |                        | 96                         | 27.2   | 2.90 | 17.2 | 32.5 | 3.76 | 17.7 | 37.7 | 4.74 | 18.2 | 40.3 | 5.27 | 18.4 | 42.9  | 5.83 | 18.6 | 48.2 | 7.04 | 19.1 | 51.0 | 7.31 | 19.4 |  |  |  |
|                 |                        | 120                        | 27.2   | 2.85 | 16.8 | 32.5 | 3.69 | 17.2 | 37.7 | 4.65 | 17.5 | 40.3 | 5.17 | 17.7 | 42.9  | 5.72 | 17.9 | 48.2 | 6.91 | 18.3 | 51.2 | 7.24 | 18.5 |  |  |  |
|                 | 20                     | 50                         | 27.2   | 3.23 | 24.4 | 32.5 | 4.19 | 25.3 | 37.7 | 5.28 | 26.2 | 40.3 | 5.88 | 26.6 | 42.9  | 6.51 | 27.1 | 47.8 | 7.75 | 28.0 | 48.9 | 7.81 | 28.1 |  |  |  |
|                 |                        | 60                         | 27.2   | 3.17 | 23.6 | 32.5 | 4.11 | 24.4 | 37.7 | 5.19 | 25.1 | 40.3 | 5.77 | 25.5 | 42.9  | 6.39 | 25.9 | 48.0 | 7.68 | 26.7 | 49.2 | 7.73 | 26.8 |  |  |  |
|                 |                        | 96                         | 27.2   | 3.02 | 22.3 | 32.5 | 3.91 | 22.7 | 37.7 | 4.93 | 23.2 | 40.3 | 5.48 | 23.4 | 42.9  | 6.06 | 23.7 | 48.2 | 7.32 | 24.1 | 49.8 | 7.52 | 24.3 |  |  |  |
|                 |                        | 120                        | 27.2   | 2.96 | 21.8 | 32.5 | 3.84 | 22.2 | 37.7 | 4.83 | 22.5 | 40.3 | 5.37 | 22.7 | 42.9  | 5.95 | 22.9 | 48.2 | 7.18 | 23.3 | 50.0 | 7.44 | 23.4 |  |  |  |
| 25              | 50                     | 27.2                       | 3.78   | 29.4 | 32.5 | 4.92 | 30.4 | 37.7 | 6.23 | 31.3 | 40.3 | 6.94 | 31.8 | 42.9 | 7.69  | 32.3 | 46.4 | 8.62 | 32.9 | 47.5 | 8.69 | 33.1 |      |  |  |  |
|                 | 60                     | 27.2                       | 3.71   | 28.7 | 32.5 | 4.83 | 29.5 | 37.7 | 6.11 | 30.2 | 40.3 | 6.80 | 30.6 | 42.9 | 7.54  | 31.0 | 46.6 | 8.54 | 31.6 | 47.7 | 8.60 | 31.7 |      |  |  |  |
|                 | 96                     | 27.2                       | 3.53   | 27.3 | 32.5 | 4.59 | 27.8 | 37.7 | 5.80 | 28.2 | 40.3 | 6.46 | 28.5 | 42.9 | 7.16  | 28.7 | 47.2 | 8.30 | 29.1 | 48.3 | 8.37 | 29.2 |      |  |  |  |
|                 | 120                    | 27.2                       | 3.47   | 26.8 | 32.5 | 4.51 | 27.2 | 37.7 | 5.69 | 27.6 | 40.3 | 6.33 | 27.8 | 42.9 | 7.01  | 28.0 | 47.4 | 8.22 | 28.3 | 48.5 | 8.28 | 28.4 |      |  |  |  |
| 30              | 50                     | 27.2                       | 4.45   | 34.5 | 32.5 | 5.81 | 35.5 | 37.7 | 7.37 | 36.5 | 40.3 | 8.22 | 37.0 | 42.9 | 9.12  | 37.5 | 44.8 | 9.50 | 37.8 | 45.8 | 9.57 | 37.9 |      |  |  |  |
|                 | 60                     | 27.2                       | 4.37   | 33.8 | 32.5 | 5.70 | 34.6 | 37.7 | 7.23 | 35.4 | 40.3 | 8.06 | 35.8 | 42.9 | 8.94  | 36.2 | 45.0 | 9.41 | 36.5 | 46.0 | 9.47 | 36.6 |      |  |  |  |
|                 | 96                     | 27.2                       | 4.15   | 32.3 | 32.5 | 5.42 | 32.8 | 37.7 | 6.86 | 33.3 | 40.3 | 7.65 | 33.6 | 42.9 | 8.48  | 33.8 | 45.5 | 9.15 | 34.1 | 46.6 | 9.22 | 34.2 |      |  |  |  |
|                 | 120                    | 27.2                       | 4.08   | 31.9 | 32.5 | 5.32 | 32.3 | 37.7 | 6.73 | 32.7 | 40.3 | 7.50 | 32.9 | 42.9 | 8.32  | 33.1 | 45.7 | 9.05 | 33.3 | 46.8 | 9.12 | 33.3 |      |  |  |  |
| 35              | 50                     | 27.2                       | 5.27   | 39.7 | 32.5 | 6.92 | 40.6 | 37.7 | 8.80 | 41.7 | 40.3 | 9.83 | 42.2 | 41.8 | 10.3  | 42.5 | 42.8 | 10.4 | 42.6 | 43.7 | 10.5 | 42.8 |      |  |  |  |
|                 | 60                     | 27.2                       | 5.17   | 38.9 | 32.5 | 6.79 | 39.7 | 37.7 | 8.63 | 40.5 | 40.3 | 9.64 | 41.0 | 41.9 | 10.2  | 41.2 | 43.0 | 10.3 | 41.4 | 43.9 | 10.4 | 41.5 |      |  |  |  |
|                 | 96                     | 27.2                       | 4.92   | 37.4 | 32.5 | 6.45 | 37.9 | 37.7 | 8.19 | 38.4 | 40.3 | 9.14 | 38.7 | 42.5 | 9.92  | 38.9 | 43.6 | 10.0 | 39.0 | 44.5 | 10.1 | 39.1 |      |  |  |  |
|                 | 120                    | 27.2                       | 4.83   | 36.9 | 32.5 | 6.32 | 37.3 | 37.7 | 8.03 | 37.7 | 40.3 | 8.96 | 37.9 | 42.7 | 9.81  | 38.1 | 43.8 | 9.90 | 38.2 | 44.7 | 9.97 | 38.3 |      |  |  |  |
| 40              | 50                     | 27.2                       | 6.33   | 44.8 | 30.7 | 7.54 | 45.5 | 31.7 | 7.62 | 45.6 | 32.1 | 7.65 | 45.7 | 32.5 | 7.68  | 45.8 | 33.0 | 7.71 | 45.8 | 33.4 | 7.72 |      |      |  |  |  |

# 4 Capacity tables

## 4 - 2 Cooling capacity tables

| RWEYQ16PY1          |                                 | TC: Total Capacity: kW ; PI: Power Input: kW (compressor + outdoor fan motor) ; OWT: Outlet Water Temperatur: °C |                              |      |      |      |      |      |      |      |      |      |      |      |      |      |      |      |      |      |      |      |      |
|---------------------|---------------------------------|--|------------------------------|------|------|------|------|------|------|------|------|------|------|------|------|------|------|------|------|------|------|------|------|
| Combinatio<br>n (%) | Inlet<br>Water<br>Temp.<br>(°C) | Water<br>Volume<br>(note2)<br>L/min  | Indoor air temperature: °CWB |      |      |      |      |      |      |      |      |      |      |      |      |      |      |      |      |      |      |      |      |
|                     |                                 |  | 14.0                         |      |      | 16.0 |      |      | 18.0 |      |      | 19.0 |      |      | 21.0 |      |      | 22.0 |      |      | 24.0 |      |      |
|                     |                                 |  | TC                           | PI   | OWT  | TC   | PI   | OWT  | TC   | PI   | OWT  | TC   | PI   | OWT  | TC   | PI   | OWT  | TC   | PI   | OWT  | TC   | PI   | OWT  |
| 70                  | 10                              | 50   | 21.2                         | 2.12 | 13.3 | 25.2 | 2.70 | 14.0 | 29.3 | 3.35 | 14.7 | 31.4 | 3.70 | 15.0 | 33.4 | 4.07 | 15.4 | 37.5 | 4.87 | 16.1 | 41.6 | 5.74 | 16.8 |
|                     |                                 | 60   | 21.2                         | 2.09 | 12.8 | 25.2 | 2.65 | 13.3 | 29.3 | 3.29 | 13.9 | 31.4 | 3.63 | 14.2 | 33.4 | 3.99 | 14.5 | 37.5 | 4.78 | 15.0 | 41.6 | 5.63 | 15.6 |
|                     |                                 | 96   | 21.2                         | 1.99 | 11.7 | 25.2 | 2.53 | 12.1 | 29.3 | 3.13 | 12.4 | 31.4 | 3.45 | 12.6 | 33.4 | 3.80 | 12.8 | 37.5 | 4.54 | 13.1 | 41.6 | 5.34 | 13.5 |
|                     | 120                             | 21.2   | 1.96                         | 11.4 | 25.2 | 2.48 | 11.7 | 29.3 | 3.07 | 11.9 | 31.4 | 3.39 | 12.1 | 33.4 | 3.73 | 12.2 | 37.5 | 4.45 | 12.5 | 41.6 | 5.24 | 12.8 |      |
|                     | 15                              | 50   | 21.2                         | 2.20 | 18.3 | 25.2 | 2.79 | 19.0 | 29.3 | 3.46 | 19.7 | 31.4 | 3.83 | 20.0 | 33.4 | 4.21 | 20.4 | 37.5 | 5.04 | 21.1 | 41.6 | 5.94 | 21.8 |
|                     |                                 | 60   | 21.2                         | 2.16 | 17.8 | 25.2 | 2.74 | 18.3 | 29.3 | 3.40 | 18.9 | 31.4 | 3.76 | 19.2 | 33.4 | 4.13 | 19.5 | 37.5 | 4.94 | 20.1 | 41.6 | 5.83 | 20.7 |
|                     |                                 | 96   | 21.2                         | 2.06 | 16.7 | 25.2 | 2.61 | 17.1 | 29.3 | 3.24 | 17.4 | 31.4 | 3.57 | 17.6 | 33.4 | 3.93 | 17.8 | 37.5 | 4.70 | 18.1 | 41.6 | 5.53 | 18.5 |
|                     | 120                             | 21.2   | 2.02                         | 16.4 | 25.2 | 2.56 | 16.7 | 29.3 | 3.18 | 16.9 | 31.4 | 3.51 | 17.1 | 33.4 | 3.86 | 17.2 | 37.5 | 4.61 | 17.5 | 41.6 | 5.43 | 17.8 |      |
|                     | 20                              | 50   | 21.2                         | 2.28 | 23.4 | 25.2 | 2.90 | 24.0 | 29.3 | 3.60 | 24.7 | 31.4 | 3.98 | 25.1 | 33.4 | 4.38 | 25.4 | 37.5 | 5.24 | 26.1 | 41.6 | 6.18 | 26.8 |
|                     |                                 | 60   | 21.2                         | 2.24 | 22.8 | 25.2 | 2.85 | 23.4 | 29.3 | 3.53 | 23.9 | 31.4 | 3.90 | 24.2 | 33.4 | 4.30 | 24.5 | 37.5 | 5.18 | 25.1 | 41.6 | 6.06 | 25.7 |
|                     |                                 | 96   | 21.2                         | 2.14 | 21.7 | 25.2 | 2.71 | 22.1 | 29.3 | 3.36 | 22.4 | 31.4 | 3.71 | 22.6 | 33.4 | 4.08 | 22.8 | 37.5 | 4.88 | 23.2 | 41.6 | 5.75 | 23.5 |
|                     | 120                             | 21.2   | 2.10                         | 21.4 | 25.2 | 2.66 | 21.7 | 29.3 | 3.30 | 21.9 | 31.4 | 3.64 | 22.1 | 33.4 | 4.01 | 22.2 | 37.5 | 4.79 | 22.5 | 41.6 | 5.64 | 22.8 |      |
|                     | 25                              | 50   | 21.2                         | 2.66 | 28.4 | 25.2 | 3.39 | 29.1 | 29.3 | 4.22 | 29.8 | 31.4 | 4.67 | 30.2 | 33.4 | 5.15 | 30.5 | 37.5 | 6.17 | 31.3 | 41.6 | 7.29 | 32.0 |
|                     |                                 | 60   | 21.2                         | 2.61 | 27.8 | 25.2 | 3.33 | 28.4 | 29.3 | 4.14 | 29.0 | 31.4 | 4.59 | 29.3 | 33.4 | 5.05 | 29.6 | 37.5 | 6.05 | 30.2 | 41.6 | 7.15 | 30.8 |
|                     |                                 | 96   | 21.2                         | 2.49 | 26.8 | 25.2 | 3.17 | 27.1 | 29.3 | 3.94 | 27.5 | 31.4 | 4.36 | 27.7 | 33.4 | 4.80 | 27.9 | 37.5 | 5.75 | 28.2 | 41.6 | 6.78 | 28.6 |
|                     | 120                             | 21.2   | 2.45                         | 26.4 | 25.2 | 3.11 | 26.7 | 29.3 | 3.87 | 27.0 | 31.4 | 4.28 | 27.1 | 33.4 | 4.71 | 27.3 | 37.5 | 5.64 | 27.6 | 41.6 | 6.65 | 27.9 |      |
|                     | 30                              | 50   | 21.2                         | 3.11 | 33.5 | 25.2 | 3.98 | 34.2 | 29.3 | 4.97 | 34.9 | 31.4 | 5.51 | 35.3 | 33.4 | 6.08 | 35.7 | 37.5 | 7.30 | 36.4 | 41.6 | 8.64 | 37.2 |
|                     |                                 | 60   | 21.2                         | 3.06 | 32.9 | 25.2 | 3.91 | 33.5 | 29.3 | 4.88 | 34.1 | 31.4 | 5.41 | 34.4 | 33.4 | 5.97 | 34.7 | 37.5 | 7.16 | 35.3 | 41.6 | 8.47 | 36.0 |
|                     |                                 | 96   | 21.2                         | 2.91 | 31.8 | 25.2 | 3.72 | 32.2 | 29.3 | 4.64 | 32.5 | 31.4 | 5.14 | 32.7 | 33.4 | 5.67 | 32.9 | 37.5 | 6.80 | 33.3 | 41.6 | 8.04 | 33.7 |
|                     | 120                             | 21.2   | 2.86                         | 31.4 | 25.2 | 3.65 | 31.7 | 29.3 | 4.55 | 32.0 | 31.4 | 5.04 | 32.2 | 33.4 | 5.56 | 32.3 | 37.5 | 6.67 | 32.6 | 41.6 | 7.88 | 33.0 |      |
|                     | 35                              | 50   | 21.2                         | 3.66 | 38.6 | 25.2 | 4.71 | 39.3 | 29.3 | 5.91 | 40.1 | 31.4 | 6.56 | 40.4 | 33.4 | 7.24 | 40.8 | 37.5 | 8.71 | 41.6 | 41.4 | 10.3 | 42.4 |
|                     |                                 | 60   | 21.2                         | 3.60 | 38.0 | 25.2 | 4.63 | 38.6 | 29.3 | 5.80 | 39.2 | 31.4 | 6.43 | 39.5 | 33.4 | 7.10 | 39.8 | 37.5 | 8.55 | 40.5 | 41.6 | 10.1 | 41.2 |
|                     |                                 | 96   | 21.2                         | 3.43 | 36.8 | 25.2 | 4.40 | 37.2 | 29.3 | 5.51 | 37.6 | 31.4 | 6.11 | 37.8 | 33.4 | 6.75 | 38.0 | 37.5 | 8.11 | 38.4 | 41.6 | 9.61 | 38.8 |
|                     | 120                             | 21.2   | 3.36                         | 36.5 | 25.2 | 4.32 | 36.8 | 29.3 | 5.40 | 37.1 | 31.4 | 5.99 | 37.2 | 33.4 | 6.62 | 37.4 | 37.5 | 7.95 | 37.7 | 41.6 | 9.42 | 38.0 |      |
| 40                  | 50                              | 21.2   | 4.25                         | 43.6 | 25.2 | 5.60 | 44.4 | 29.3 | 7.15 | 45.2 | 30.4 | 7.52 | 45.4 | 30.9 | 7.56 | 45.5 | 31.6 | 7.62 | 45.6 | 32.3 | 7.66 | 45.7 |      |
|                     | 60                              | 21.2   | 4.18                         | 43.0 | 25.2 | 5.49 | 43.7 | 29.3 | 6.98 | 44.3 | 31.4 | 7.79 | 44.7 | 32.4 | 8.16 | 44.9 | 33.3 | 8.22 | 45.0 | 34.0 | 8.28 | 45.0 |      |
|                     | 96                              | 21.2   | 3.72                         | 41.9 | 25.2 | 4.83 | 42.2 | 29.3 | 6.08 | 42.6 | 31.4 | 6.77 | 42.8 | 33.4 | 7.49 | 43.1 | 37.5 | 9.04 | 43.5 | 38.7 | 9.27 | 43.6 |      |
| 120                 | 21.2                            | 3.61   | 41.5                         | 25.2 | 4.67 | 41.8 | 29.3 | 5.88 | 42.1 | 31.4 | 6.54 | 42.3 | 33.4 | 7.24 | 42.4 | 37.5 | 8.74 | 42.8 | 39.0 | 9.12 | 42.9 |      |      |
| 45                  | 50                              | 20.3   | 4.72                         | 48.6 | 21.1 | 4.77 | 48.7 | 21.7 | 4.81 | 48.8 | 21.9 | 4.82 | 48.8 | 22.1 | 4.83 | 48.9 | 22.3 | 4.83 | 48.9 | 22.3 | 4.81 | 48.9 |      |
|                     | 60                              | 21.2   | 4.80                         | 48.1 | 22.8 | 5.22 | 48.3 | 23.5 | 5.28 | 48.4 | 23.8 | 5.29 | 48.5 | 24.1 | 5.31 | 48.5 | 24.4 | 5.32 | 48.6 | 24.6 | 5.32 | 48.6 |      |
|                     | 96                              | 21.2   | 4.21                         | 46.9 | 25.2 | 5.57 | 47.3 | 28.8 | 6.86 | 47.7 | 29.6 | 6.89 | 47.7 | 29.6 | 6.92 | 47.7 | 30.3 | 6.97 | 47.8 | 30.9 | 7.01 | 47.8 |      |
| 120                 | 21.2                            | 4.09   | 46.5                         | 25.2 | 5.37 | 46.8 | 29.3 | 6.83 | 47.2 | 31.4 | 7.63 | 47.3 | 32.4 | 7.94 | 47.4 | 33.2 | 8.01 | 47.5 | 33.9 | 8.06 | 47.5 |      |      |
| 60                  | 10                              | 50   | 18.14                        | 1.75 | 12.9 | 21.6 | 2.19 | 13.4 | 25.1 | 2.68 | 14.0 | 26.9 | 2.95 | 14.3 | 28.6 | 3.23 | 14.6 | 32.1 | 3.84 | 15.2 | 35.6 | 4.49 | 15.8 |
|                     |                                 | 60   | 18.14                        | 1.72 | 12.4 | 21.6 | 2.15 | 12.8 | 25.1 | 2.63 | 13.3 | 26.9 | 2.90 | 13.6 | 28.6 | 3.17 | 13.8 | 32.1 | 3.77 | 14.3 | 35.6 | 4.41 | 14.8 |
|                     |                                 | 96   | 18.14                        | 1.64 | 11.5 | 21.6 | 2.05 | 11.8 | 25.1 | 2.51 | 12.1 | 26.9 | 2.76 | 12.2 | 28.6 | 3.02 | 12.4 | 32.1 | 3.58 | 12.7 | 35.6 | 4.19 | 13.0 |
|                     | 120                             | 18.14  | 1.61                         | 11.2 | 21.6 | 2.01 | 11.4 | 25.1 | 2.46 | 11.6 | 26.9 | 2.71 | 11.8 | 28.6 | 2.96 | 11.9 | 32.1 | 3.51 | 12.1 | 35.6 | 4.11 | 12.4 |      |
|                     | 15                              | 50   | 18.14                        | 1.81 | 17.9 | 21.6 | 2.26 | 18.4 | 25.1 | 2.77 | 19.0 | 26.9 | 3.05 | 19.3 | 28.6 | 3.34 | 19.6 | 32.1 | 3.97 | 20.2 | 35.6 | 4.65 | 20.8 |
|                     |                                 | 60   | 18.14                        | 1.78 | 17.4 | 21.6 | 2.22 | 17.9 | 25.1 | 2.73 | 18.3 | 26.9 | 3.00 | 18.6 | 28.6 | 3.28 | 18.8 | 32.1 | 3.90 | 19.3 | 35.6 | 4.57 | 19.8 |
|                     |                                 | 96   | 18.14                        | 1.70 | 16.5 | 21.6 | 2.12 | 16.8 | 25.1 | 2.60 | 17.1 | 26.9 | 2.85 | 17.2 | 28.6 | 3.13 | 17.4 | 32.1 | 3.71 | 17.7 | 35.6 | 4.34 | 18.0 |
|                     | 120                             | 18.14  | 1.67                         | 16.2 | 21.6 | 2.08 | 16.4 | 25.1 | 2.55 | 16.7 | 26.9 | 2.80 | 16.8 | 28.6 | 3.07 | 16.9 | 32.1 | 3.64 | 17.1 | 35.6 | 4.26 | 17.4 |      |
|                     | 20                              | 50   | 18.1                         | 1.87 | 22.9 | 21.6 | 2.35 | 23.4 | 25.1 | 2.88 | 24.0 | 26.9 | 3.17 | 24.3 | 28.6 | 3.47 | 24.6 | 32.1 | 4.12 | 25.2 | 35.6 | 4.83 | 25.8 |
|                     |                                 | 60   | 18.1                         | 1.84 | 22.4 | 21.6 | 2.31 | 22.9 | 25.1 | 2.83 | 23.3 | 26.9 | 3.11 | 23.6 | 28.6 | 3.41 | 23.8 | 32.1 | 4.05 | 24.3 | 35.6 | 4.74 | 24.8 |
|                     |                                 | 96   | 18.1                         | 1.76 | 21.5 | 21.6 | 2.20 | 21.8 | 25.1 | 2.69 | 22.1 | 26.9 | 2.96 | 22.2 | 28.6 | 3.24 | 22.4 | 32.1 | 3.85 | 22.7 | 35.6 | 4.51 | 23.0 |
|                     | 120                             | 18.1   | 1.73                         | 21.2 | 21.6 | 2.16 | 21.4 | 25.1 | 2.65 | 21.7 | 26.9 | 2.91 | 21.8 | 28.6 | 3.18 | 21.9 | 32.1 | 3.78 | 22.1 | 35.6 | 4.42 | 22.4 |      |
|                     | 25                              | 50   | 18.1                         | 2.18 | 27.9 | 21.6 | 2.74 | 28.5 | 25.1 | 3.37 | 29.1 | 26.9 | 3.71 | 29.4 | 28.6 | 4.07 | 29.7 | 32.1 | 4.85 | 30.3 | 35.6 | 5.69 | 30.9 |
|                     |                                 | 60   | 18.1                         | 2.14 | 27.4 | 21.6 | 2.69 | 27.9 | 25.1 | 3.31 | 28.4 | 26.9 | 3.65 | 28.6 | 28.6 | 4.00 | 28.9 | 32.1 | 4.76 | 29.4 | 35.6 | 5.58 | 29.9 |
|                     |                                 | 96   | 18.1                         | 2.04 | 26.5 | 21.6 | 2.57 | 26.8 | 25.1 | 3.15 | 27.1 | 26.9 | 3.47 | 27.3 | 28.6 | 3.81 | 27.4 | 32.1 | 4.52 | 27.7 | 35.6 | 5.31 | 28.1 |
|                     | 120                             | 18.1   | 2.01                         | 26.2 | 21.6 | 2.52 | 26.4 | 25.1 | 3.09 | 26.7 | 26.9 | 3.41 | 26.8 | 28.6 | 3.73 | 26.9 | 32.1 | 4.44 | 27.2 | 35.6 | 5.20 | 27.4 |      |
|                     | 30                              | 50   | 18.1                         | 2.54 | 33.0 | 21.6 | 3.21 | 33.6 | 25.1 | 3.96 | 34.2 | 26.9 | 4.37 | 34.5 | 28.6 | 4.80 | 34.8 | 32.1 | 5.72 | 35.4 | 35.6 | 6.73 | 36.1 |
|                     |                                 | 60   | 18.1                         | 2.49 | 32.5 | 21.6 | 3.15 | 33.0 | 25.1 | 3.89 | 33.5 | 26.9 | 4.29 | 33.7 | 28.6 | 4.71 | 34.0 | 32.1 | 5.61 | 34.5 | 35.6 | 6.60 | 35.0 |
|                     |                                 | 96   | 18.1                         | 2.38 | 31.5 | 21.6 | 3.00 | 31.8 | 25.1 | 3.70 | 32.2 | 26.9 | 4.08 | 32.3 | 28.6 | 4.48 | 32.5 | 32.1 | 5.34 | 32.8 | 35.6 | 6.27 | 33.1 |
|                     | 120                             | 18.1   | 2.34                         | 31.2 | 21.6 | 2.95 | 31.5 | 25.1 | 3.63 | 31.7 | 26.9 | 4.00 | 31.8 | 28.6 |      |      |      |      |      |      |      |      |      |

# 4 Capacity tables

## 4 - 2 Cooling capacity tables

| RWEYQ18PY1      |                        | TC: Total Capacity: kW ; PI: Power Input: kW (compressor + outdoor fan motor) ; OWT: Outlet Water Temperatur: °C |                              |      |      |      |      |      |      |      |      |      |      |      |      |      |      |      |      |      |      |      |      |      |      |      |      |      |      |      |      |      |      |      |      |
|-----------------|------------------------|--|------------------------------|------|------|------|------|------|------|------|------|------|------|------|------|------|------|------|------|------|------|------|------|------|------|------|------|------|------|------|------|------|------|------|------|
| Combination (%) | Inlet Water Temp. (°C) | Water Volume (note2) L/min   | Indoor air temperature: °CWB |      |      |      |      |      |      |      |      |      |      |      |      |      |      |      |      |      |      |      |      |      |      |      |      |      |      |      |      |      |      |      |      |
|                 |                        |  | 14.0                         |      |      | 16.0 |      |      | 18.0 |      |      | 19.0 |      |      | 20.0 |      |      | 22.0 |      |      | 24.0 |      |      |      |      |      |      |      |      |      |      |      |      |      |      |
|                 |                        |  | TC                           | PI   | OWT  | TC   | PI   | OWT  | TC   | PI   | OWT  | TC   | PI   | OWT  | TC   | PI   | OWT  | TC   | PI   | OWT  | TC   | PI   | OWT  |      |      |      |      |      |      |      |      |      |      |      |      |
| 130             | 10                     | 50   | 43.1                         | 6.10 | 17.1 | 51.4 | 8.12 | 18.5 | 56.1 | 8.59 | 19.3 | 57.0 | 8.63 | 19.4 | 57.7 | 8.66 | 19.5 | 59.0 | 8.72 | 19.7 | 60.0 | 8.75 | 19.9 | 60.3 | 8.66 | 18.2 | 60.3 | 8.66 | 18.2 | 60.3 | 8.66 | 18.2 | 60.3 | 8.66 | 18.2 |
|                 |                        | 60   | 43.1                         | 5.99 | 15.9 | 51.4 | 7.97 | 17.1 | 56.4 | 8.50 | 17.8 | 57.2 | 8.54 | 17.9 | 58.0 | 8.58 | 18.0 | 59.3 | 8.63 | 18.1 | 60.3 | 8.66 | 18.2 | 60.3 | 8.66 | 18.2 | 60.3 | 8.66 | 18.2 | 60.3 | 8.66 | 18.2 |      |      |      |
|                 |                        | 96   | 43.1                         | 5.69 | 13.6 | 51.4 | 7.56 | 14.4 | 57.1 | 8.27 | 14.9 | 57.9 | 8.31 | 14.9 | 58.7 | 8.35 | 15.0 | 60.1 | 8.40 | 15.1 | 61.1 | 8.43 | 15.2 | 61.1 | 8.43 | 15.2 | 61.1 | 8.43 | 15.2 | 61.1 | 8.43 | 15.2 | 61.1 | 8.43 | 15.2 |
|                 | 15                     | 50   | 43.1                         | 6.32 | 22.1 | 51.4 | 8.41 | 23.6 | 55.1 | 8.84 | 24.2 | 55.9 | 8.88 | 24.3 | 56.7 | 8.92 | 24.4 | 57.9 | 8.97 | 24.6 | 58.9 | 9.00 | 24.7 | 59.0 | 8.92 | 24.7 | 59.0 | 8.92 | 24.7 | 59.0 | 8.92 | 24.7 | 59.0 | 8.92 | 24.7 |
|                 |                        | 60   | 43.1                         | 6.20 | 20.9 | 51.4 | 8.25 | 22.1 | 55.4 | 8.75 | 22.7 | 56.2 | 8.79 | 22.8 | 56.9 | 8.83 | 22.9 | 58.2 | 8.88 | 23.0 | 59.2 | 8.92 | 23.1 | 59.2 | 8.92 | 23.1 | 59.2 | 8.92 | 23.1 | 59.2 | 8.92 | 23.1 | 59.2 | 8.92 | 23.1 |
|                 |                        | 96   | 43.1                         | 5.89 | 18.7 | 51.4 | 7.83 | 19.4 | 56.1 | 8.52 | 19.8 | 56.9 | 8.56 | 19.9 | 57.7 | 8.59 | 19.9 | 58.9 | 8.64 | 20.0 | 60.0 | 8.68 | 20.1 | 60.0 | 8.68 | 20.1 | 60.0 | 8.68 | 20.1 | 60.0 | 8.68 | 20.1 | 60.0 | 8.68 | 20.1 |
|                 | 20                     | 50   | 43.1                         | 5.77 | 17.9 | 51.4 | 7.67 | 18.5 | 56.3 | 8.43 | 18.9 | 57.2 | 8.47 | 18.9 | 57.9 | 8.50 | 19.0 | 59.2 | 8.55 | 19.0 | 60.3 | 8.59 | 19.1 | 60.3 | 8.59 | 19.1 | 60.3 | 8.59 | 19.1 | 60.3 | 8.59 | 19.1 | 60.3 | 8.59 | 19.1 |
|                 |                        | 60   | 43.1                         | 6.57 | 27.1 | 51.4 | 8.75 | 28.6 | 53.9 | 9.10 | 29.0 | 54.6 | 9.14 | 29.1 | 55.3 | 9.17 | 29.2 | 56.5 | 9.23 | 29.4 | 57.3 | 9.26 | 29.5 | 57.3 | 9.26 | 29.5 | 57.3 | 9.26 | 29.5 | 57.3 | 9.26 | 29.5 | 57.3 | 9.26 | 29.5 |
|                 |                        | 96   | 43.1                         | 6.12 | 23.9 | 51.4 | 8.14 | 24.4 | 54.8 | 8.76 | 24.7 | 55.6 | 8.80 | 24.8 | 56.3 | 8.84 | 24.9 | 57.5 | 8.89 | 25.0 | 58.4 | 8.92 | 25.0 | 58.4 | 8.92 | 25.0 | 58.4 | 8.92 | 25.0 | 58.4 | 8.92 | 25.0 | 58.4 | 8.92 | 25.0 |
|                 | 25                     | 50   | 43.1                         | 7.74 | 32.3 | 50.6 | 10.0 | 33.7 | 52.3 | 10.1 | 33.8 | 53.0 | 10.2 | 34.1 | 53.6 | 10.2 | 34.1 | 53.6 | 10.2 | 34.1 | 54.7 | 10.2 | 34.3 | 55.4 | 10.3 | 34.4 | 55.4 | 10.3 | 34.4 | 55.4 | 10.3 | 34.4 |      |      |      |
|                 |                        | 60   | 43.1                         | 7.59 | 31.1 | 50.8 | 9.91 | 32.3 | 52.5 | 10.0 | 32.5 | 53.2 | 10.1 | 32.6 | 53.9 | 10.1 | 32.6 | 55.0 | 10.1 | 32.8 | 55.7 | 10.1 | 32.8 | 55.7 | 10.1 | 32.8 | 55.7 | 10.1 | 32.8 | 55.7 | 10.1 | 32.8 |      |      |      |
|                 |                        | 96   | 43.1                         | 7.21 | 28.8 | 51.4 | 9.61 | 29.6 | 53.2 | 9.74 | 29.7 | 53.9 | 9.78 | 29.8 | 54.6 | 9.82 | 29.8 | 55.7 | 9.88 | 29.9 | 56.5 | 9.92 | 30.0 | 56.5 | 9.92 | 30.0 | 56.5 | 9.92 | 30.0 | 56.5 | 9.92 | 30.0 |      |      |      |
| 30              | 50                     | 43.1   | 9.17                         | 37.5 | 48.8 | 11.0 | 38.6 | 50.4 | 11.1 | 38.8 | 51.0 | 11.2 | 38.9 | 51.6 | 11.2 | 39.0 | 52.5 | 11.3 | 39.1 | 53.1 | 11.3 | 39.2 | 53.1 | 11.3 | 39.2 | 53.1 | 11.3 | 39.2 | 53.1 | 11.3 | 39.2 |      |      |      |      |
|                 | 60                     | 43.1   | 8.99                         | 36.2 | 49.0 | 10.9 | 37.2 | 50.6 | 11.0 | 37.4 | 51.3 | 11.1 | 37.4 | 51.9 | 11.1 | 37.5 | 52.8 | 11.2 | 37.6 | 53.4 | 11.2 | 37.7 | 53.4 | 11.2 | 37.7 | 53.4 | 11.2 | 37.7 | 53.4 | 11.2 | 37.7 |      |      |      |      |
|                 | 96                     | 43.1   | 8.54                         | 33.9 | 49.6 | 10.6 | 34.5 | 51.2 | 10.7 | 34.6 | 51.9 | 10.8 | 34.7 | 52.5 | 10.8 | 34.7 | 53.5 | 10.9 | 34.8 | 54.2 | 10.9 | 34.9 | 54.2 | 10.9 | 34.9 | 54.2 | 10.9 | 34.9 | 54.2 | 10.9 | 34.9 |      |      |      |      |
| 35              | 50                     | 43.1   | 11.0                         | 42.7 | 46.7 | 12.1 | 43.4 | 48.1 | 12.2 | 43.6 | 48.7 | 12.2 | 43.7 | 49.2 | 12.2 | 43.8 | 50.0 | 12.3 | 43.9 | 50.4 | 12.3 | 44.0 | 50.4 | 12.3 | 44.0 | 50.4 | 12.3 | 44.0 | 50.4 | 12.3 | 44.0 |      |      |      |      |
|                 | 60                     | 43.1   | 10.7                         | 41.4 | 46.9 | 11.9 | 42.0 | 48.3 | 12.1 | 42.2 | 48.9 | 12.1 | 42.3 | 49.5 | 12.1 | 42.4 | 50.2 | 12.2 | 42.5 | 50.7 | 12.2 | 42.5 | 50.7 | 12.2 | 42.5 | 50.7 | 12.2 | 42.5 | 50.7 | 12.2 | 42.5 |      |      |      |      |
|                 | 96                     | 43.1   | 10.2                         | 39.0 | 47.5 | 11.6 | 39.4 | 49.0 | 11.7 | 39.5 | 49.6 | 11.8 | 39.6 | 50.1 | 11.8 | 39.6 | 51.0 | 11.8 | 39.7 | 51.4 | 11.8 | 39.7 | 51.4 | 11.8 | 39.7 | 51.4 | 11.8 | 39.7 | 51.4 | 11.8 | 39.7 |      |      |      |      |
| 40              | 50                     | 35.0   | 8.88                         | 46.3 | 36.1 | 8.95 | 46.5 | 36.7 | 8.97 | 46.5 | 36.8 | 8.96 | 46.6 | 36.8 | 8.93 | 46.6 | 36.8 | 8.93 | 46.6 | 36.8 | 8.94 | 46.5 | 36.9 | 46.4 | 36.9 | 46.4 | 36.9 | 46.4 | 36.9 | 46.4 |      |      |      |      |      |
|                 | 60                     | 36.8   | 9.59                         | 45.5 | 38.1 | 9.69 | 45.7 | 38.9 | 9.73 | 45.8 | 39.1 | 9.73 | 45.8 | 39.2 | 9.71 | 45.8 | 39.1 | 9.65 | 45.8 | 38.6 | 9.53 | 45.7 | 45.7 | 38.6 | 9.53 | 45.7 | 45.7 | 38.6 | 9.53 | 45.7 |      |      |      |      |      |
|                 | 96                     | 41.9   | 10.7                         | 43.9 | 43.5 | 10.9 | 44.1 | 44.7 | 11.0 | 44.2 | 45.2 | 11.0 | 44.2 | 45.6 | 11.0 | 44.2 | 46.1 | 11.0 | 44.3 | 46.2 | 11.0 | 44.3 | 46.2 | 11.0 | 44.3 | 46.2 | 11.0 | 44.3 | 46.2 | 11.0 | 44.3 |      |      |      |      |
| 45              | 50                     | 24.5   | 5.61                         | 49.3 | 24.2 | 5.53 | 49.3 | 23.2 | 5.37 | 49.1 | 22.5 | 5.26 | 49.0 | 21.5 | 5.13 | 48.8 | 19.1 | 4.82 | 48.4 | 16.0 | 4.42 | 47.9 | 47.9 | 16.0 | 4.42 | 47.9 | 47.9 | 16.0 | 4.42 | 47.9 |      |      |      |      |      |
|                 | 60                     | 26.9   | 6.19                         | 49.0 | 27.0 | 6.15 | 49.0 | 26.4 | 6.04 | 48.9 | 25.9 | 5.96 | 48.8 | 25.3 | 5.86 | 48.7 | 23.4 | 5.61 | 48.5 | 21.0 | 5.29 | 48.1 | 5.29 | 48.1 | 5.29 | 48.1 | 5.29 | 48.1 | 5.29 | 48.1 |      |      |      |      |      |
|                 | 96                     | 33.5   | 8.13                         | 48.1 | 34.4 | 8.18 | 48.2 | 34.9 | 8.18 | 48.2 | 34.9 | 8.15 | 48.2 | 34.8 | 8.12 | 48.2 | 34.2 | 8.00 | 48.2 | 33.2 | 7.83 | 48.1 | 48.1 | 33.2 | 7.83 | 48.1 | 48.1 | 33.2 | 7.83 | 48.1 |      |      |      |      |      |
| 120             | 10                     | 50   | 39.8                         | 5.38 | 16.5 | 47.4 | 7.12 | 17.8 | 55.1 | 8.54 | 19.1 | 56.0 | 8.58 | 19.3 | 56.8 | 8.62 | 19.4 | 58.1 | 8.68 | 19.6 | 59.3 | 8.73 | 19.7 | 59.3 | 8.73 | 19.7 | 59.3 | 8.73 | 19.7 | 59.3 | 8.73 | 19.7 |      |      |      |
|                 |                        | 60   | 39.8                         | 5.28 | 15.4 | 47.4 | 6.98 | 17.5 | 55.1 | 8.44 | 17.6 | 56.2 | 8.50 | 17.7 | 57.0 | 8.53 | 17.8 | 58.4 | 8.60 | 18.0 | 59.5 | 8.64 | 18.1 | 59.5 | 8.64 | 18.1 | 59.5 | 8.64 | 18.1 | 59.5 | 8.64 | 18.1 |      |      |      |
|                 |                        | 96   | 39.8                         | 5.01 | 13.3 | 47.4 | 6.63 | 14.0 | 55.1 | 8.16 | 14.7 | 56.9 | 8.27 | 14.9 | 57.7 | 8.30 | 14.9 | 59.1 | 8.36 | 15.0 | 60.3 | 8.41 | 15.1 | 60.3 | 8.41 | 15.1 | 60.3 | 8.41 | 15.1 | 60.3 | 8.41 | 15.1 |      |      |      |
|                 | 15                     | 50   | 39.8                         | 5.57 | 21.5 | 47.4 | 7.38 | 22.9 | 54.2 | 8.79 | 24.0 | 55.0 | 8.83 | 24.1 | 55.7 | 8.87 | 24.3 | 57.1 | 8.94 | 24.5 | 58.1 | 8.98 | 24.6 | 58.1 | 8.98 | 24.6 | 58.1 | 8.98 | 24.6 | 58.1 | 8.98 | 24.6 |      |      |      |
|                 |                        | 60   | 39.8                         | 5.46 | 20.4 | 47.4 | 7.24 | 21.5 | 54.4 | 8.70 | 22.5 | 55.2 | 8.75 | 22.6 | 56.0 | 8.78 | 22.7 | 57.3 | 8.85 | 22.9 | 58.4 | 8.89 | 23.0 | 58.4 | 8.89 | 23.0 | 58.4 | 8.89 | 23.0 | 58.4 | 8.89 | 23.0 |      |      |      |
|                 |                        | 96   | 39.8                         | 5.19 | 18.4 | 47.4 | 6.87 | 19.1 | 55.1 | 8.47 | 19.7 | 55.9 | 8.51 | 19.8 | 56.7 | 8.55 | 19.9 | 58.1 | 8.61 | 20.0 | 59.2 | 8.65 | 20.1 | 59.2 | 8.65 | 20.1 | 59.2 | 8.65 | 20.1 | 59.2 | 8.65 | 20.1 |      |      |      |
|                 | 20                     | 50   | 39.8                         | 5.09 | 17.7 | 47.4 | 6.73 | 18.2 | 55.1 | 8.36 | 18.8 | 56.2 | 8.42 | 18.9 | 57.0 | 8.46 | 18.9 | 58.3 | 8.52 | 19.0 | 59.5 | 8.56 | 19.1 | 59.5 | 8.56 | 19.1 | 59.5 | 8.56 | 19.1 | 59.5 | 8.56 | 19.1 |      |      |      |
|                 |                        | 60   | 39.8                         | 5.79 | 26.5 | 47.4 | 7.67 | 27.9 | 52.9 | 9.04 | 28.9 | 53.7 | 9.09 | 29.0 | 54.4 | 9.13 | 29.1 | 55.7 | 9.19 | 29.3 | 56.7 | 9.24 | 29.4 | 56.7 | 9.24 | 29.4 | 56.7 | 9.24 | 29.4 | 56.7 | 9.24 | 29.4 |      |      |      |
|                 |                        | 96   | 39.8                         | 5.39 | 23.4 | 47.4 | 7.14 | 24.1 | 53.8 | 8.71 | 24.7 | 54.6 | 8.75 | 24.7 | 55.4 | 8.79 | 24.8 | 56.7 | 8.85 | 24.9 | 57.7 | 8.90 | 25.0 | 57.7 | 8.90 | 25.0 | 57.7 | 8.90 | 25.0 | 57.7 | 8.90 | 25.0 |      |      |      |
|                 | 25                     | 50   | 39.8                         | 6.81 | 31.7 | 47.4 | 9.05 | 33.1 | 51.4 | 10.1 | 33.8 | 52.1 | 10.1 | 33.9 | 52.8 | 10.1 | 34.0 | 54.0 | 10.2 | 34.2 | 54.9 | 10.3 | 34.3 | 54.9 | 10.3 | 34.3 | 54.9 | 10.3 | 34.3 | 54.9 | 10.3 | 34.3 |      |      |      |
|                 |                        | 60   | 39.8                         | 6.68 | 30.5 | 47.4 | 8.88 | 31.7 | 51.6 | 9.96 | 32.4 | 52.4 | 10.0 | 32.5 | 53.1 | 10.0 | 32.5 | 54.0 | 10.1 | 32.7 | 55.2 | 10.2 | 32.8 | 55.2 | 10.2 | 32.8 | 55.2 | 10.2 | 32.8 | 55.2 | 10.2 | 32.8 |      |      |      |
|                 |                        | 96   | 39.8                         | 6.35 | 28.4 | 47.4 | 8.42 | 29.2 | 52.2 | 9.69 | 29.6 | 53.0 | 9.73 | 29.7 | 53.7 | 9.77 | 29.7 | 54.9 | 9.84 | 29.8 | 55.9 | 9.88 | 29.9 | 55.9 | 9.88 | 29.9 | 55.9 | 9.88 | 29.9 | 55.9 | 9.88 | 29.9 |      |      |      |
| 30              | 50                     | 39.8   | 8.06                         | 36.9 | 47.4 | 10.7 | 38.3 | 49.5 | 11.1 | 38.7 | 50.2 | 11.1 | 38.8 | 50.9 | 11.2 | 38.9 | 51.9 | 11.2 | 39.1 | 52.7 | 11.3 | 39.2 | 52.7 | 11.3 | 39.2 | 52.7 | 11.3 | 39.2 | 52.7 | 11.3 | 39.2 |      |      |      |      |
|                 | 60                     | 39.8   | 7.91                         | 35.7 | 47.4 | 10.5 | 36.9 | 49.7 | 11.0 |      |      |      |      |      |      |      |      |      |      |      |      |      |      |      |      |      |      |      |      |      |      |      |      |      |      |

# 4 Capacity tables

## 4 - 2 Cooling capacity tables

| RWEYQ18PY1      |                        |                            | TC: Total Capacity: kW ; PI: Power Input: kW (compressor + outdoor fan motor) ; OWT: Outlet Water Temperatur: °C |      |      |      |      |      |      |      |      |      |      |      |      |      |      |      |      |      |      |      |      |  |  |  |
|-----------------|------------------------|----------------------------|--|------|------|------|------|------|------|------|------|------|------|------|------|------|------|------|------|------|------|------|------|--|--|--|
| Combination (%) | Inlet Water Temp. (°C) | Water Volume (note2) L/min | Indoor air temperature: °CWB   |      |      |      |      |      |      |      |      |      |      |      |      |      |      |      |      |      |      |      |      |  |  |  |
|                 |                        |                            | 14.0   |      |      | 16.0 |      |      | 18.0 |      |      | 19.0 |      |      | 20.0 |      |      | 22.0 |      |      | 24.0 |      |      |  |  |  |
|                 |                        |                            | TC   | PI   | OWT  | TC   | PI   | OWT  | TC   | PI   | OWT  | TC   | PI   | OWT  | TC   | PI   | OWT  | TC   | PI   | OWT  | TC   | PI   | OWT  |  |  |  |
| 100             | 10                     | 50                         | 33.1   | 4.07 | 15.3 | 39.5 | 5.33 | 16.4 | 45.9 | 6.76 | 17.5 | 49.1 | 7.54 | 18.1 | 52.3 | 8.36 | 18.7 | 55.9 | 8.58 | 19.2 | 57.2 | 8.64 | 19.4 |  |  |  |
|                 |                        | 60                         | 33.1   | 4.00 | 14.9 | 39.5 | 5.23 | 15.3 | 45.9 | 6.63 | 16.3 | 49.1 | 7.39 | 16.7 | 52.3 | 8.20 | 17.2 | 56.2 | 8.49 | 17.7 | 57.5 | 8.55 | 17.9 |  |  |  |
|                 |                        | 96                         | 33.1   | 3.80 | 12.8 | 39.5 | 4.97 | 13.3 | 45.9 | 6.29 | 13.9 | 49.1 | 7.02 | 14.2 | 52.3 | 7.78 | 14.5 | 56.9 | 8.26 | 14.9 | 58.2 | 8.32 | 15.0 |  |  |  |
|                 |                        | 120                        | 33.1   | 3.73 | 12.2 | 39.5 | 4.87 | 12.7 | 45.9 | 6.17 | 13.1 | 49.1 | 6.88 | 13.3 | 52.3 | 7.63 | 13.6 | 57.1 | 8.18 | 13.9 | 58.5 | 8.23 | 14.0 |  |  |  |
|                 | 15                     | 50                         | 33.1   | 4.21 | 20.4 | 39.5 | 5.51 | 21.5 | 45.9 | 7.00 | 22.6 | 49.1 | 7.81 | 23.2 | 52.3 | 8.66 | 23.7 | 54.9 | 8.83 | 24.1 | 56.2 | 8.89 | 24.3 |  |  |  |
|                 |                        | 60                         | 33.1   | 4.14 | 19.5 | 39.5 | 5.41 | 20.4 | 45.9 | 6.86 | 21.3 | 49.1 | 7.66 | 21.8 | 52.3 | 8.49 | 22.3 | 55.2 | 8.74 | 22.6 | 56.4 | 8.81 | 22.8 |  |  |  |
|                 |                        | 96                         | 33.1   | 3.94 | 17.8 | 39.5 | 5.14 | 18.3 | 45.9 | 6.52 | 18.9 | 49.1 | 7.27 | 19.2 | 52.3 | 8.06 | 19.5 | 55.9 | 8.51 | 19.8 | 57.1 | 8.57 | 19.9 |  |  |  |
|                 |                        | 120                        | 33.1   | 3.86 | 17.2 | 39.5 | 5.04 | 17.7 | 45.9 | 6.39 | 18.1 | 49.1 | 7.12 | 18.4 | 52.3 | 7.90 | 18.6 | 56.1 | 8.42 | 18.9 | 57.4 | 8.48 | 18.9 |  |  |  |
|                 | 20                     | 50                         | 33.1   | 4.38 | 25.4 | 39.5 | 5.73 | 26.5 | 45.9 | 7.27 | 27.6 | 49.1 | 8.12 | 28.2 | 52.3 | 9.01 | 28.8 | 53.7 | 9.09 | 29.0 | 54.8 | 9.15 | 29.2 |  |  |  |
|                 |                        | 60                         | 33.1   | 4.30 | 24.5 | 39.5 | 5.62 | 25.4 | 45.9 | 7.13 | 26.3 | 49.1 | 7.96 | 26.8 | 52.3 | 8.83 | 27.3 | 53.9 | 8.99 | 27.5 | 55.1 | 9.06 | 27.7 |  |  |  |
|                 |                        | 96                         | 33.1   | 4.09 | 22.8 | 39.5 | 5.34 | 23.4 | 45.9 | 6.77 | 23.9 | 49.1 | 7.55 | 24.2 | 52.3 | 8.38 | 24.5 | 54.6 | 8.75 | 24.7 | 55.8 | 8.81 | 24.8 |  |  |  |
|                 |                        | 120                        | 33.1   | 4.01 | 22.2 | 39.5 | 5.24 | 22.7 | 45.9 | 6.64 | 23.1 | 49.1 | 7.41 | 23.4 | 52.3 | 8.21 | 23.6 | 54.8 | 8.66 | 23.8 | 56.0 | 8.72 | 23.9 |  |  |  |
| 25              | 50                     | 33.1                       | 5.10   | 30.5 | 39.5 | 6.75 | 31.6 | 45.9 | 8.58 | 32.8 | 49.1 | 9.58 | 33.4 | 50.8 | 10.0 | 33.7 | 52.1 | 10.1 | 33.9 | 53.2 | 10.2 | 34.1 |      |  |  |  |
|                 | 60                     | 33.1                       | 5.05   | 29.6 | 39.5 | 6.62 | 30.5 | 45.9 | 8.42 | 31.5 | 49.1 | 9.40 | 32.0 | 51.0 | 9.92 | 32.3 | 52.3 | 10.0 | 32.4 | 53.4 | 10.1 | 32.6 |      |  |  |  |
|                 | 96                     | 33.1                       | 4.80   | 27.8 | 39.5 | 6.29 | 28.4 | 45.9 | 7.99 | 29.0 | 49.1 | 8.92 | 29.3 | 51.6 | 9.65 | 29.6 | 53.0 | 9.73 | 29.7 | 54.1 | 9.80 | 29.8 |      |  |  |  |
|                 | 120                    | 33.1                       | 4.71   | 27.3 | 39.5 | 6.17 | 27.7 | 45.9 | 7.83 | 28.2 | 49.1 | 8.74 | 28.5 | 51.9 | 9.55 | 28.7 | 53.2 | 9.63 | 28.8 | 54.4 | 9.69 | 28.8 |      |  |  |  |
| 30              | 50                     | 33.1                       | 6.06   | 35.6 | 39.5 | 7.98 | 36.8 | 45.9 | 10.2 | 38.0 | 49.1 | 11.0 | 38.5 | 49.0 | 11.0 | 38.6 | 50.2 | 11.1 | 38.8 | 51.2 | 11.2 | 38.9 |      |  |  |  |
|                 | 60                     | 33.1                       | 5.95   | 34.7 | 39.5 | 7.83 | 35.7 | 45.9 | 9.98 | 36.7 | 48.5 | 10.9 | 37.1 | 49.2 | 10.9 | 37.2 | 50.4 | 11.0 | 37.3 | 51.5 | 11.1 | 37.5 |      |  |  |  |
|                 | 96                     | 33.1                       | 5.65   | 32.9 | 39.5 | 7.43 | 33.5 | 45.9 | 9.47 | 34.1 | 49.1 | 10.6 | 34.5 | 49.8 | 10.6 | 34.5 | 51.1 | 10.7 | 34.6 | 52.1 | 10.8 | 34.7 |      |  |  |  |
|                 | 120                    | 33.1                       | 5.55   | 32.3 | 39.5 | 7.29 | 32.8 | 45.9 | 9.28 | 33.3 | 49.1 | 10.4 | 33.6 | 50.0 | 10.5 | 33.6 | 51.3 | 10.6 | 33.7 | 52.4 | 10.7 | 33.8 |      |  |  |  |
| 35              | 50                     | 33.1                       | 7.20   | 40.8 | 39.5 | 9.52 | 42.0 | 45.5 | 12.0 | 43.2 | 46.2 | 12.0 | 43.3 | 46.8 | 12.1 | 43.4 | 48.0 | 12.2 | 43.6 | 48.9 | 12.2 | 43.8 |      |  |  |  |
|                 | 60                     | 33.1                       | 7.07   | 39.8 | 39.5 | 9.34 | 40.8 | 45.7 | 11.8 | 41.9 | 46.4 | 11.9 | 42.0 | 47.0 | 11.9 | 42.0 | 48.2 | 12.0 | 42.2 | 49.1 | 12.1 | 42.3 |      |  |  |  |
|                 | 96                     | 33.1                       | 6.72   | 38.0 | 39.5 | 8.86 | 38.6 | 45.9 | 11.3 | 39.3 | 47.0 | 11.6 | 39.4 | 47.6 | 11.6 | 39.4 | 48.8 | 11.7 | 39.5 | 49.8 | 11.8 | 39.6 |      |  |  |  |
|                 | 120                    | 33.1                       | 6.59   | 37.4 | 39.5 | 8.69 | 37.9 | 45.9 | 11.1 | 38.4 | 47.2 | 11.4 | 38.5 | 47.9 | 11.5 | 38.5 | 49.0 | 11.6 | 38.6 | 50.0 | 11.7 | 38.7 |      |  |  |  |
| 40              | 50                     | 33.1                       | 8.72   | 46.0 | 34.4 | 8.83 | 46.2 | 35.4 | 8.91 | 46.4 | 35.8 | 8.94 | 46.4 | 36.2 | 8.96 | 46.5 | 36.6 | 8.97 | 46.5 | 36.8 | 8.95 | 46.6 |      |  |  |  |
|                 | 60                     | 33.1                       | 8.53   | 45.0 | 36.2 | 8.54 | 45.5 | 37.3 | 8.63 | 45.6 | 37.8 | 8.67 | 45.7 | 38.2 | 8.69 | 45.7 | 38.8 | 8.72 | 45.8 | 39.1 | 8.72 | 45.8 |      |  |  |  |
|                 | 96                     | 33.1                       | 7.42   | 43.0 | 39.5 | 7.87 | 43.7 | 42.5 | 10.8 | 44.0 | 43.1 | 10.8 | 44.0 | 43.6 | 10.9 | 44.1 | 44.6 | 11.0 | 44.1 | 45.3 | 11.0 | 44.2 |      |  |  |  |
|                 | 120                    | 33.1                       | 7.18   | 42.4 | 39.5 | 7.54 | 42.9 | 42.8 | 10.6 | 43.2 | 43.4 | 10.7 | 43.2 | 44.0 | 10.7 | 43.3 | 45.0 | 10.8 | 43.3 | 45.7 | 10.8 | 43.4 |      |  |  |  |
| 45              | 50                     | 23.9                       | 5.60   | 49.2 | 24.4 | 5.62 | 49.3 | 24.5 | 5.59 | 49.3 | 24.4 | 5.56 | 49.3 | 24.1 | 5.51 | 49.3 | 24.3 | 5.39 | 49.1 | 22.2 | 5.22 | 48.9 |      |  |  |  |
|                 | 60                     | 25.9                       | 6.14   | 48.8 | 26.6 | 6.18 | 48.9 | 27.0 | 6.18 | 49.0 | 27.0 | 6.17 | 49.0 | 27.0 | 6.14 | 49.0 | 26.5 | 6.06 | 48.9 | 25.7 | 5.93 | 48.8 |      |  |  |  |
|                 | 96                     | 31.8                       | 7.99   | 48.0 | 33.0 | 8.09 | 48.1 | 33.9 | 8.15 | 48.1 | 34.0 | 8.17 | 48.2 | 34.5 | 8.18 | 48.2 | 34.8 | 8.18 | 48.2 | 34.9 | 8.15 | 48.2 |      |  |  |  |
|                 | 120                    | 33.1                       | 8.35   | 47.5 | 36.1 | 9.29 | 47.7 | 37.2 | 9.38 | 47.8 | 37.7 | 9.41 | 47.8 | 38.1 | 9.44 | 47.8 | 38.7 | 9.47 | 47.9 | 39.0 | 9.47 | 47.9 |      |  |  |  |
| 90              | 10                     | 50                         | 29.8   | 3.49 | 14.8 | 35.6 | 4.53 | 15.7 | 41.3 | 5.71 | 16.7 | 44.2 | 6.36 | 17.2 | 47.1 | 7.04 | 17.8 | 52.8 | 8.40 | 18.8 | 55.9 | 8.58 | 19.2 |  |  |  |
|                 |                        | 60                         | 29.8   | 3.43 | 14.0 | 35.6 | 4.45 | 14.8 | 41.3 | 5.60 | 15.6 | 44.2 | 6.24 | 16.0 | 47.1 | 6.90 | 16.4 | 52.8 | 8.30 | 17.3 | 56.2 | 8.49 | 17.7 |  |  |  |
|                 |                        | 96                         | 29.8   | 3.26 | 12.5 | 35.6 | 4.23 | 13.0 | 41.3 | 5.32 | 13.5 | 44.2 | 5.92 | 13.7 | 47.1 | 6.55 | 14.0 | 52.8 | 7.91 | 14.5 | 56.9 | 8.26 | 14.9 |  |  |  |
|                 |                        | 120                        | 29.8   | 3.20 | 12.0 | 35.6 | 4.15 | 12.4 | 41.3 | 5.22 | 12.8 | 44.2 | 5.81 | 13.0 | 47.1 | 6.42 | 13.2 | 52.8 | 7.75 | 13.6 | 57.1 | 8.17 | 13.9 |  |  |  |
|                 | 15                     | 50                         | 29.8   | 3.61 | 19.8 | 35.6 | 4.69 | 20.8 | 41.3 | 5.91 | 21.8 | 44.2 | 6.58 | 22.3 | 47.1 | 7.28 | 22.8 | 52.8 | 8.70 | 23.8 | 54.9 | 8.83 | 24.1 |  |  |  |
|                 |                        | 60                         | 29.8   | 3.55 | 19.0 | 35.6 | 4.60 | 19.8 | 41.3 | 5.80 | 20.6 | 44.2 | 6.46 | 21.1 | 47.1 | 7.15 | 21.5 | 52.8 | 8.59 | 22.3 | 55.2 | 8.74 | 22.6 |  |  |  |
|                 |                        | 96                         | 29.8   | 3.38 | 17.5 | 35.6 | 4.38 | 18.0 | 41.3 | 5.51 | 18.5 | 44.2 | 6.13 | 18.8 | 47.1 | 6.78 | 19.0 | 52.8 | 8.19 | 19.6 | 55.9 | 8.50 | 19.8 |  |  |  |
|                 |                        | 120                        | 29.8   | 3.31 | 17.0 | 35.6 | 4.29 | 17.4 | 41.3 | 5.40 | 17.8 | 44.2 | 6.01 | 18.0 | 47.1 | 6.65 | 18.2 | 52.8 | 8.03 | 18.6 | 56.1 | 8.41 | 18.9 |  |  |  |
|                 | 20                     | 50                         | 29.8   | 3.75 | 24.8 | 35.6 | 4.87 | 25.8 | 41.3 | 6.14 | 26.8 | 44.2 | 6.84 | 27.3 | 47.1 | 7.57 | 27.8 | 52.4 | 9.01 | 28.8 | 53.6 | 9.08 | 29.0 |  |  |  |
|                 |                        | 60                         | 29.8   | 3.68 | 24.0 | 35.6 | 4.78 | 24.8 | 41.3 | 6.03 | 25.7 | 44.2 | 6.71 | 26.1 | 47.1 | 7.43 | 26.5 | 52.7 | 8.92 | 27.4 | 53.9 | 8.99 | 27.5 |  |  |  |
|                 |                        | 96                         | 29.8   | 3.51 | 22.5 | 35.6 | 4.55 | 23.0 | 41.3 | 5.73 | 23.5 | 44.2 | 6.37 | 23.8 | 47.1 | 7.05 | 24.0 | 52.8 | 8.52 | 24.6 | 54.5 | 8.75 | 24.7 |  |  |  |
|                 |                        | 120                        | 29.8   | 3.44 | 22.0 | 35.6 | 4.46 | 22.4 | 41.3 | 5.62 | 22.8 | 44.2 | 6.25 | 23.0 | 47.1 | 6.91 | 23.2 | 52.8 | 8.35 | 23.7 | 54.8 | 8.65 | 23.8 |  |  |  |
| 25              | 50                     | 29.8                       | 4.40   | 29.9 | 35.6 | 5.73 | 30.9 | 41.3 | 7.24 | 32.0 | 44.2 | 8.07 | 32.5 | 47.1 | 8.94 | 33.0 | 50.9 | 10.0 | 33.7 | 52.0 | 10.1 | 33.9 |      |  |  |  |
|                 | 60                     | 29.8                       | 4.32   | 29.1 | 35.6 | 5.62 | 29.9 | 41.3 | 7.10 | 30.8 | 44.2 | 7.91 | 31.2 | 47.1 | 8.77 | 31.7 | 51.1 | 9.93 | 32.3 | 52.3 | 10.0 | 32.4 |      |  |  |  |
|                 | 96                     | 29.8                       | 4.11   | 27.5 | 35.6 | 5.34 | 28.1 | 41.3 | 6.74 | 28.6 | 44.2 | 7.51 | 28.9 | 47.1 | 8.32 | 29.1 | 51.8 | 9.66 | 29.6 | 52.9 | 9.73 | 29.7 |      |  |  |  |
|                 | 120                    | 29.8                       | 4.03   | 27.0 | 35.6 | 5.24 | 27.4 | 41.3 | 6.61 | 27.9 | 44.2 | 7.36 | 28.1 | 47.1 | 8.16 | 28.3 | 52.0 | 9.55 | 28.7 | 53.2 | 9.62 | 28.8 |      |  |  |  |
| 30              | 50                     | 29.8                       | 5.17   | 35.0 | 35.6 | 6.76 | 36.1 | 41.3 | 8.57 | 37.2 | 44.2 | 9.56 | 37.7 | 47.1 | 10.6 | 38.3 | 49.1 | 11.0 | 38.6 | 50.2 | 11.1 | 38.8 |      |  |  |  |
|                 | 60                     | 29.8                       | 5.08   | 34.2 | 35.6 | 6.63 | 35.0 | 41.3 | 8.41 | 35.9 | 44.2 | 9.37 | 36.4 | 47.1 | 10.4 | 36.9 | 49.3 | 10.9 | 37.2 | 50.4 | 11.0 | 37.3 |      |  |  |  |
|                 | 96                     | 29.8                       | 4.83   | 32.6 | 35.6 | 6.30 | 33.1 | 41.3 | 7.98 | 33.7 | 44.2 | 8.90 | 34.0 | 47.1 | 9.86 | 34.3 | 49.9 | 10.6 | 34.5 | 51.0 | 10.7 | 34.6 |      |  |  |  |
|                 | 120                    | 29.8                       | 4.74   | 32.1 | 35.6 | 6.18 | 32.5 | 41.3 | 7.82 | 32.9 | 44.2 | 8.72 | 33.2 | 47.1 | 9.6  |      |      |      |      |      |      |      |      |  |  |  |

# 4 Capacity tables

## 4 - 2 Cooling capacity tables

| RWEYQ18PY1      |                        |                            | TC: Total Capacity: kW ; PI: Power Input: kW (compressor + outdoor fan motor) ; OWT: Outlet Water Temperatur: °C |      |      |      |      |      |      |      |      |      |      |      |      |      |      |      |      |      |      |      |      |      |      |      |      |      |      |      |      |      |      |      |      |      |      |      |      |      |      |      |      |      |      |      |      |      |      |      |      |      |      |      |      |      |      |      |      |      |      |      |      |      |      |      |      |      |      |      |      |      |      |      |      |      |      |      |      |      |      |      |      |      |      |      |
|-----------------|------------------------|----------------------------|--|------|------|------|------|------|------|------|------|------|------|------|------|------|------|------|------|------|------|------|------|------|------|------|------|------|------|------|------|------|------|------|------|------|------|------|------|------|------|------|------|------|------|------|------|------|------|------|------|------|------|------|------|------|------|------|------|------|------|------|------|------|------|------|------|------|------|------|------|------|------|------|------|------|------|------|------|------|------|------|------|------|------|------|
| Combination (%) | Inlet Water Temp. (°C) | Water Volume (note2) L/min | Indoor air temperature: °CWB   |      |      |      |      |      |      |      |      |      |      |      |      |      |      |      |      |      |      |      |      |      |      |      |      |      |      |      |      |      |      |      |      |      |      |      |      |      |      |      |      |      |      |      |      |      |      |      |      |      |      |      |      |      |      |      |      |      |      |      |      |      |      |      |      |      |      |      |      |      |      |      |      |      |      |      |      |      |      |      |      |      |      |      |
|                 |                        |                            | 14.0   |      |      |      |      |      | 16.0 |      |      |      |      |      | 18.0 |      |      |      |      |      | 19.0 |      |      |      |      |      | 21.0 |      |      |      |      |      | 22.0 |      |      |      |      |      | 24.0 |      |      |      |      |      |      |      |      |      |      |      |      |      |      |      |      |      |      |      |      |      |      |      |      |      |      |      |      |      |      |      |      |      |      |      |      |      |      |      |      |      |      |      |      |      |      |      |
|                 |                        |                            | TC   | PI   | OWT  | TC   | PI   | OWT  | TC   | PI   | OWT  | TC   | PI   | OWT  | TC   | PI   | OWT  | TC   | PI   | OWT  | TC   | PI   | OWT  | TC   | PI   | OWT  | TC   | PI   | OWT  | TC   | PI   | OWT  |      |      |      |      |      |      |      |      |      |      |      |      |      |      |      |      |      |      |      |      |      |      |      |      |      |      |      |      |      |      |      |      |      |      |      |      |      |      |      |      |      |      |      |      |      |      |      |      |      |      |      |      |      |      |
| 70              | 10                     | 50                         | 23.2   | 2.47 | 13.7 | 27.7 | 3.14 | 14.4 | 32.1 | 3.89 | 15.2 | 34.4 | 4.30 | 15.5 | 36.6 | 4.73 | 15.9 | 41.1 | 5.66 | 16.7 | 45.5 | 6.67 | 17.5 | 23.2 | 2.43 | 13.1 | 27.7 | 3.08 | 14.3 | 32.1 | 3.82 | 14.3 | 34.4 | 4.22 | 14.6 | 36.6 | 4.64 | 14.9 | 41.1 | 5.55 | 15.6 | 45.5 | 6.54 | 16.2 | 23.2 | 2.32 | 11.9 | 27.7 | 2.94 | 12.3 | 32.1 | 3.64 | 12.7 | 34.4 | 4.02 | 12.9 | 36.6 | 4.42 | 13.1 | 41.1 | 5.27 | 13.5 | 45.5 | 6.21 | 13.9 | 23.2 | 2.27 | 11.5 | 27.7 | 2.88 | 11.8 | 32.1 | 3.57 | 12.1 | 34.4 | 3.94 | 12.3 | 36.6 | 4.33 | 12.4 | 41.1 | 5.17 | 12.8 | 45.5 | 6.09 | 13.1 |
|                 |                        | 60                         | 23.2   | 2.55 | 18.7 | 27.7 | 3.25 | 19.4 | 32.1 | 4.03 | 20.2 | 34.4 | 4.45 | 20.6 | 36.6 | 4.90 | 20.9 | 41.1 | 5.86 | 21.7 | 45.5 | 6.91 | 22.5 | 23.2 | 2.51 | 18.1 | 27.7 | 3.19 | 18.7 | 32.1 | 3.95 | 19.3 | 34.4 | 4.37 | 19.6 | 36.6 | 4.81 | 19.9 | 41.1 | 5.75 | 20.6 | 45.5 | 6.78 | 21.3 | 23.2 | 2.39 | 16.9 | 27.7 | 3.04 | 17.3 | 32.1 | 3.76 | 17.7 | 34.4 | 4.16 | 17.9 | 36.6 | 4.57 | 18.1 | 41.1 | 5.46 | 18.5 | 45.5 | 6.43 | 18.9 | 23.2 | 2.35 | 16.5 | 27.7 | 2.98 | 16.8 | 32.1 | 3.69 | 17.1 | 34.4 | 4.08 | 17.3 | 36.6 | 4.48 | 17.5 | 41.1 | 5.36 | 17.8 | 45.5 | 6.31 | 18.1 |
|                 |                        | 96                         | 23.2   | 2.65 | 23.7 | 27.7 | 3.37 | 24.4 | 32.1 | 4.18 | 25.2 | 34.4 | 4.62 | 25.6 | 36.6 | 5.09 | 26.0 | 41.1 | 6.09 | 26.8 | 45.5 | 7.18 | 27.6 | 23.2 | 2.60 | 23.1 | 27.7 | 3.31 | 23.7 | 32.1 | 4.11 | 24.3 | 34.4 | 4.54 | 24.6 | 36.6 | 4.99 | 25.0 | 41.1 | 5.97 | 25.6 | 45.5 | 7.04 | 26.3 | 23.2 | 2.48 | 21.9 | 27.7 | 3.15 | 22.3 | 32.1 | 3.91 | 22.7 | 34.4 | 4.32 | 22.9 | 36.6 | 4.75 | 23.1 | 41.1 | 5.67 | 23.5 | 45.5 | 6.69 | 23.9 | 23.2 | 2.44 | 21.5 | 27.7 | 3.09 | 21.8 | 32.1 | 3.83 | 22.1 | 34.4 | 4.23 | 22.3 | 36.6 | 4.66 | 22.5 | 41.1 | 5.56 | 22.8 | 45.5 | 6.56 | 23.1 |
|                 | 15                     | 50                         | 23.2   | 2.55 | 18.7 | 27.7 | 3.25 | 19.4 | 32.1 | 4.03 | 20.2 | 34.4 | 4.45 | 20.6 | 36.6 | 4.90 | 20.9 | 41.1 | 5.86 | 21.7 | 45.5 | 6.91 | 22.5 | 23.2 | 2.51 | 18.1 | 27.7 | 3.19 | 18.7 | 32.1 | 3.95 | 19.3 | 34.4 | 4.37 | 19.6 | 36.6 | 4.81 | 19.9 | 41.1 | 5.75 | 20.6 | 45.5 | 6.78 | 21.3 | 23.2 | 2.39 | 16.9 | 27.7 | 3.04 | 17.3 | 32.1 | 3.76 | 17.7 | 34.4 | 4.16 | 17.9 | 36.6 | 4.57 | 18.1 | 41.1 | 5.46 | 18.5 | 45.5 | 6.43 | 18.9 | 23.2 | 2.35 | 16.5 | 27.7 | 2.98 | 16.8 | 32.1 | 3.69 | 17.1 | 34.4 | 4.08 | 17.3 | 36.6 | 4.48 | 17.5 | 41.1 | 5.36 | 17.8 | 45.5 | 6.31 | 18.1 |
|                 | 60                     | 23.2                       | 2.65   | 23.7 | 27.7 | 3.37 | 24.4 | 32.1 | 4.18 | 25.2 | 34.4 | 4.62 | 25.6 | 36.6 | 5.09 | 26.0 | 41.1 | 6.09 | 26.8 | 45.5 | 7.18 | 27.6 | 23.2 | 2.60 | 23.1 | 27.7 | 3.31 | 23.7 | 32.1 | 4.11 | 24.3 | 34.4 | 4.54 | 24.6 | 36.6 | 4.99 | 25.0 | 41.1 | 5.97 | 25.6 | 45.5 | 7.04 | 26.3 | 23.2 | 2.48 | 21.9 | 27.7 | 3.15 | 22.3 | 32.1 | 3.91 | 22.7 | 34.4 | 4.32 | 22.9 | 36.6 | 4.75 | 23.1 | 41.1 | 5.67 | 23.5 | 45.5 | 6.69 | 23.9 | 23.2 | 2.44 | 21.5 | 27.7 | 3.09 | 21.8 | 32.1 | 3.83 | 22.1 | 34.4 | 4.23 | 22.3 | 36.6 | 4.66 | 22.5 | 41.1 | 5.56 | 22.8 | 45.5 | 6.56 | 23.1 |      |
|                 | 96                     | 23.2                       | 2.55   | 18.7 | 27.7 | 3.25 | 19.4 | 32.1 | 4.03 | 20.2 | 34.4 | 4.45 | 20.6 | 36.6 | 4.90 | 20.9 | 41.1 | 5.86 | 21.7 | 45.5 | 6.91 | 22.5 | 23.2 | 2.51 | 18.1 | 27.7 | 3.19 | 18.7 | 32.1 | 3.95 | 19.3 | 34.4 | 4.37 | 19.6 | 36.6 | 4.81 | 19.9 | 41.1 | 5.75 | 20.6 | 45.5 | 6.78 | 21.3 | 23.2 | 2.39 | 16.9 | 27.7 | 3.04 | 17.3 | 32.1 | 3.76 | 17.7 | 34.4 | 4.16 | 17.9 | 36.6 | 4.57 | 18.1 | 41.1 | 5.46 | 18.5 | 45.5 | 6.43 | 18.9 | 23.2 | 2.35 | 16.5 | 27.7 | 2.98 | 16.8 | 32.1 | 3.69 | 17.1 | 34.4 | 4.08 | 17.3 | 36.6 | 4.48 | 17.5 | 41.1 | 5.36 | 17.8 | 45.5 | 6.31 | 18.1 |      |
|                 | 120                    | 23.2                       | 2.65   | 23.7 | 27.7 | 3.37 | 24.4 | 32.1 | 4.18 | 25.2 | 34.4 | 4.62 | 25.6 | 36.6 | 5.09 | 26.0 | 41.1 | 6.09 | 26.8 | 45.5 | 7.18 | 27.6 | 23.2 | 2.60 | 23.1 | 27.7 | 3.31 | 23.7 | 32.1 | 4.11 | 24.3 | 34.4 | 4.54 | 24.6 | 36.6 | 4.99 | 25.0 | 41.1 | 5.97 | 25.6 | 45.5 | 7.04 | 26.3 | 23.2 | 2.48 | 21.9 | 27.7 | 3.15 | 22.3 | 32.1 | 3.91 | 22.7 | 34.4 | 4.32 | 22.9 | 36.6 | 4.75 | 23.1 | 41.1 | 5.67 | 23.5 | 45.5 | 6.69 | 23.9 | 23.2 | 2.44 | 21.5 | 27.7 | 3.09 | 21.8 | 32.1 | 3.83 | 22.1 | 34.4 | 4.23 | 22.3 | 36.6 | 4.66 | 22.5 | 41.1 | 5.56 | 22.8 | 45.5 | 6.56 | 23.1 |      |
|                 | 20                     | 50                         | 23.2   | 2.44 | 21.5 | 27.7 | 3.09 | 21.8 | 32.1 | 3.83 | 22.1 | 34.4 | 4.23 | 22.3 | 36.6 | 4.66 | 22.5 | 41.1 | 5.56 | 22.8 | 45.5 | 6.56 | 23.1 | 23.2 | 2.40 | 21.1 | 27.7 | 3.04 | 21.4 | 32.1 | 3.79 | 21.7 | 34.4 | 4.19 | 22.0 | 36.6 | 4.62 | 22.3 | 41.1 | 5.52 | 22.7 | 45.5 | 6.52 | 23.0 | 23.2 | 2.28 | 20.1 | 27.7 | 2.94 | 20.4 | 32.1 | 3.68 | 20.7 | 34.4 | 4.07 | 21.0 | 36.6 | 4.51 | 21.3 | 41.1 | 5.41 | 21.7 | 45.5 | 6.41 | 22.4 | 23.2 | 2.24 | 19.7 | 27.7 | 2.90 | 20.0 | 32.1 | 3.64 | 20.4 | 34.4 | 4.03 | 20.7 | 36.6 | 4.47 | 21.0 | 41.1 | 5.37 | 21.6 | 45.5 | 6.37 | 22.2 |
|                 | 25                     | 50                         | 23.2   | 2.30 | 20.1 | 27.7 | 2.94 | 20.4 | 32.1 | 3.68 | 20.7 | 34.4 | 4.07 | 21.0 | 36.6 | 4.51 | 21.3 | 41.1 | 5.41 | 21.7 | 45.5 | 6.41 | 22.4 | 23.2 | 2.28 | 20.1 | 27.7 | 2.94 | 20.4 | 32.1 | 3.68 | 20.7 | 34.4 | 4.07 | 21.0 | 36.6 | 4.51 | 21.3 | 41.1 | 5.41 | 21.7 | 45.5 | 6.41 | 22.4 | 23.2 | 2.16 | 18.7 | 27.7 | 2.88 | 19.0 | 32.1 | 3.62 | 19.3 | 34.4 | 4.01 | 19.6 | 36.6 | 4.35 | 19.9 | 41.1 | 5.25 | 20.6 | 45.5 | 6.25 | 21.3 | 23.2 | 2.12 | 18.3 | 27.7 | 2.84 | 18.6 | 32.1 | 3.58 | 18.9 | 34.4 | 3.97 | 19.2 | 36.6 | 4.31 | 19.5 | 41.1 | 5.21 | 20.5 | 45.5 | 6.21 | 21.1 |
|                 | 30                     | 50                         | 23.2   | 2.16 | 18.7 | 27.7 | 2.88 | 19.0 | 32.1 | 3.62 | 19.3 | 34.4 | 4.01 | 19.6 | 36.6 | 4.35 | 19.9 | 41.1 | 5.25 | 20.6 | 45.5 | 6.25 | 21.3 | 23.2 | 2.14 | 18.3 | 27.7 | 2.84 | 18.6 | 32.1 | 3.58 | 18.9 | 34.4 | 3.97 | 19.2 | 36.6 | 4.31 | 19.5 | 41.1 | 5.21 | 20.5 | 45.5 | 6.21 | 21.1 | 23.2 | 2.02 | 17.3 | 27.7 | 2.78 | 17.6 | 32.1 | 3.52 | 17.9 | 34.4 | 3.91 | 18.2 | 36.6 | 4.25 | 18.5 | 41.1 | 5.15 | 20.5 | 45.5 | 6.15 | 21.1 | 23.2 | 2.00 | 17.1 | 27.7 | 2.76 | 17.4 | 32.1 | 3.50 | 17.7 | 34.4 | 3.89 | 18.0 | 36.6 | 4.23 | 18.3 | 41.1 | 5.13 | 20.3 | 45.5 | 6.13 | 20.9 |
|                 | 35                     | 50                         | 23.2   | 2.02 | 17.3 | 27.7 | 2.78 | 17.6 | 32.1 | 3.52 | 17.9 | 34.4 | 3.91 | 18.2 | 36.6 | 4.25 | 18.5 | 41.1 | 5.15 | 20.5 | 45.5 | 6.15 | 21.1 | 23.2 | 2.00 | 17.1 | 27.7 | 2.76 | 17.4 | 32.1 | 3.50 | 17.7 | 34.4 | 3.89 | 18.0 | 36.6 | 4.23 | 18.3 | 41.1 | 5.13 | 20.3 | 45.5 | 6.13 | 20.9 | 23.2 | 1.88 | 16.3 | 27.7 | 2.70 | 16.8 | 32.1 | 3.44 | 17.2 | 34.4 | 3.83 | 17.5 | 36.6 | 4.19 | 18.1 | 41.1 | 5.09 | 20.1 | 45.5 | 6.09 | 20.7 | 23.2 | 1.86 | 16.1 | 27.7 | 2.68 | 16.6 | 32.1 | 3.42 | 17.0 | 34.4 | 3.81 | 17.3 | 36.6 | 4.17 | 17.9 | 41.1 | 5.07 | 20.0 | 45.5 | 6.07 | 20.5 |
|                 | 40                     | 50                         | 23.2   | 1.88 | 16.3 | 27.7 | 2.70 | 16.8 | 32.1 | 3.44 | 17.2 | 34.4 | 3.83 | 17.5 | 36.6 | 4.19 | 18.1 | 41.1 | 5.09 | 20.1 | 45.5 | 6.09 | 20.7 | 23.2 | 1.88 | 16.3 | 27.7 | 2.70 | 16.8 | 32.1 | 3.44 | 17.2 | 34.4 | 3.83 | 17.5 | 36.6 | 4.19 | 18.1 | 41.1 | 5.09 | 20.1 | 45.5 | 6.09 | 20.7 | 23.2 | 1.76 | 15.9 | 27.7 | 2.64 | 16.2 | 32.1 | 3.38 | 16.7 | 34.4 | 3.77 | 17.0 | 36.6 | 4.13 | 17.7 | 41.1 | 5.03 | 19.9 | 45.5 | 6.03 | 20.3 | 23.2 | 1.74 | 15.7 | 27.7 | 2.62 | 16.0 | 32.1 | 3.36 | 16.5 | 34.4 | 3.75 | 16.8 | 36.6 | 4.11 | 17.5 | 41.1 | 5.01 | 19.7 | 45.5 | 6.01 | 20.1 |
| 45              | 50                     | 23.2                       | 1.76   | 15.9 | 27.7 | 2.64 | 16.2 | 32.1 | 3.38 | 16.7 | 34.4 | 3.77 | 17.0 | 36.6 | 4.13 | 17.7 | 41.1 | 5.03 | 19.9 | 45.5 | 6.03 | 20.3 | 23.2 | 1.74 | 15.7 | 27.7 | 2.62 | 16.0 | 32.1 | 3.36 | 16.5 | 34.4 | 3.75 | 16.8 | 36.6 | 4.11 | 17.5 | 41.1 | 5.01 | 19.7 | 45.5 | 6.01 | 20.1 | 23.2 | 1.62 | 14.9 | 27.7 | 2.58 | 15.4 | 32.1 | 3.30 | 16.0 | 34.4 | 3.69 | 16.3 | 36.6 | 4.05 | 17.1 | 41.1 | 4.95 | 19.3 | 45.5 | 5.95 | 19.5 | 23.2 | 1.60 | 14.7 | 27.7 | 2.56 | 15.2 | 32.1 | 3.28 | 15.8 | 34.4 | 3.67 | 16.1 | 36.6 | 4.03 | 16.9 | 41.1 | 4.93 | 19.1 | 45.5 | 5.93 | 19.3 |      |
| 50              | 50                     | 23.2                       | 1.62   | 14.9 | 27.7 | 2.58 | 15.4 | 32.1 | 3.30 | 16.0 | 34.4 | 3.69 | 16.3 | 36.6 | 4.05 | 17.1 | 41.1 | 4.95 | 19.3 | 45.5 | 5.95 | 19.5 | 23.2 | 1.60 | 14.7 | 27.7 | 2.56 | 15.2 | 32.1 | 3.28 | 15.8 | 34.4 | 3.67 | 16.1 | 36.6 | 4.03 | 16.9 | 41.1 | 4.93 | 19.1 | 45.5 | 5.93 | 19.3 | 23.2 | 1.48 | 14.1 | 27.7 | 2.52 | 14.8 | 32.1 | 3.22 | 15.4 | 34.4 | 3.61 | 15.7 | 36.6 | 3.97 | 16.3 | 41.1 | 4.87 | 18.5 | 45.5 | 5.87 | 18.5 | 23.2 | 1.46 | 13.9 | 27.7 | 2.50 | 14.6 | 32.1 | 3.20 | 15.2 | 34.4 | 3.59 | 15.5 | 36.6 | 3.95 | 16.1 | 41.1 | 4.85 | 18.3 | 45.5 | 5.85 | 18.3 |      |
| 55              | 50                     | 23.2                       | 1.50   | 14.1 | 27.7 | 2.52 | 14.8 | 32.1 | 3.22 | 15.4 | 34.4 | 3.61 | 15.7 | 36.6 | 3.97 | 16.3 | 41.1 | 4.87 | 18.5 | 45.5 | 5.87 | 18.5 | 23.2 | 1.48 | 14.1 | 27.7 | 2.52 | 14.8 | 32.1 | 3.22 | 15.4 | 34.4 | 3.61 | 15.7 | 36.6 | 3.97 | 16.3 | 41.1 | 4.87 | 18.5 | 45.5 | 5.87 | 18.5 | 23.2 | 1.36 | 13.5 | 27.7 | 2.48 | 14.4 | 32.1 | 3.16 | 15.0 | 34.4 | 3.55 | 15.3 | 36.6 | 3.91 | 15.7 | 41.1 | 4.81 | 17.7 | 45.5 | 5.81 | 17.7 | 23.2 | 1.34 | 13.3 | 27.7 | 2.46 | 14.2 | 32.1 | 3.14 | 14.8 | 34.4 | 3.53 | 15.1 | 36.6 | 3.89 | 15.5 | 41.1 | 4.79 | 17.5 | 45.5 | 5.79 | 17.5 |      |
| 60              | 50                     | 23.2                       | 1.36   | 1    |      |      |      |      |      |      |      |      |      |      |      |      |      |      |      |      |      |      |      |      |      |      |      |      |      |      |      |      |      |      |      |      |      |      |      |      |      |      |      |      |      |      |      |      |      |      |      |      |      |      |      |      |      |      |      |      |      |      |      |      |      |      |      |      |      |      |      |      |      |      |      |      |      |      |      |      |      |      |      |      |      |      |

# 4 Capacity tables

## 4 - 2 Cooling capacity tables

| RWEYQ20PY1          |                                 | TC: Total Capacity: kW ; PI: Power Input: kW (compressor + outdoor fan motor) ; OWT: Outlet Water Temperatur: °C |                              |          |           |          |          |           |          |          |           |          |          |           |          |          |           |          |          |           |          |          |           |
|---------------------|---------------------------------|--|------------------------------|----------|-----------|----------|----------|-----------|----------|----------|-----------|----------|----------|-----------|----------|----------|-----------|----------|----------|-----------|----------|----------|-----------|
| Combinatio<br>n (%) | Inlet<br>Water<br>Temp.<br>(°C) | Water<br>Volume<br>(note2)<br>L/min  | Indoor air temperature: °CWB |          |           |          |          |           |          |          |           |          |          |           |          |          |           |          |          |           |          |          |           |
|                     |                                 |  | 14.0                         |          |           | 16.0     |          |           | 18.0     |          |           | 19.0     |          |           | 20.0     |          |           | 22.0     |          |           | 24.0     |          |           |
|                     |                                 |  | TC<br>kW                     | PI<br>kW | OWT<br>°C | TC<br>kW | PI<br>kW | OWT<br>°C | TC<br>kW | PI<br>kW | OWT<br>°C | TC<br>kW | PI<br>kW | OWT<br>°C | TC<br>kW | PI<br>kW | OWT<br>°C | TC<br>kW | PI<br>kW | OWT<br>°C | TC<br>kW | PI<br>kW | OWT<br>°C |
| 130                 | 10                              | 50   | 46.9                         | 6.96     | 17.7      | 55.9     | 9.26     | 19.3      | 61.1     | 9.79     | 20.2      | 62.0     | 9.84     | 20.3      | 62.8     | 9.88     | 20.4      | 64.2     | 9.94     | 20.6      | 65.3     | 9.97     | 20.8      |
|                     |                                 | 60   | 46.9                         | 6.82     | 16.4      | 55.9     | 9.08     | 17.8      | 61.3     | 9.69     | 18.5      | 62.2     | 9.74     | 18.6      | 63.1     | 9.78     | 18.7      | 64.5     | 9.84     | 18.9      | 65.6     | 9.87     | 19.0      |
|                     |                                 | 96   | 46.9                         | 6.48     | 14.0      | 55.9     | 8.62     | 14.8      | 62.1     | 9.43     | 15.3      | 63.0     | 9.47     | 15.4      | 63.9     | 9.51     | 15.5      | 65.3     | 9.57     | 15.6      | 66.5     | 9.61     | 15.7      |
|                     |                                 | 120  | 46.9                         | 6.36     | 13.2      | 55.9     | 8.45     | 13.8      | 62.4     | 9.33     | 14.3      | 63.3     | 9.37     | 14.3      | 64.2     | 9.41     | 14.4      | 65.6     | 9.47     | 14.5      | 66.8     | 9.51     | 14.6      |
|                     | 15                              | 50   | 46.9                         | 7.20     | 22.7      | 55.9     | 9.59     | 24.4      | 60.0     | 10.08    | 25.0      | 60.8     | 10.13    | 25.2      | 61.6     | 10.17    | 25.3      | 63.0     | 10.23    | 25.5      | 64.0     | 10.26    | 25.6      |
|                     |                                 | 60   | 46.9                         | 7.07     | 21.4      | 55.9     | 9.40     | 22.8      | 60.2     | 9.98     | 23.4      | 61.1     | 10.02    | 23.5      | 61.9     | 10.06    | 23.6      | 63.3     | 10.13    | 23.8      | 64.3     | 10.16    | 23.9      |
|                     |                                 | 96   | 46.9                         | 6.71     | 19.0      | 55.9     | 8.92     | 19.8      | 61.0     | 9.71     | 20.3      | 61.9     | 9.75     | 20.3      | 62.7     | 9.79     | 20.4      | 64.1     | 9.85     | 20.5      | 65.2     | 9.89     | 20.6      |
|                     |                                 | 120  | 46.9                         | 6.58     | 18.2      | 55.9     | 8.75     | 18.9      | 61.3     | 9.60     | 19.2      | 62.2     | 9.65     | 19.3      | 63.0     | 9.69     | 19.3      | 64.4     | 9.75     | 19.4      | 65.5     | 9.79     | 19.5      |
|                     | 20                              | 50   | 46.9                         | 7.48     | 27.8      | 55.9     | 9.97     | 29.4      | 58.6     | 10.4     | 29.9      | 59.4     | 10.42    | 30.0      | 60.2     | 10.5     | 30.1      | 61.4     | 10.5     | 30.3      | 62.4     | 10.6     | 30.5      |
|                     |                                 | 60   | 46.9                         | 7.34     | 26.5      | 55.9     | 9.78     | 27.8      | 58.8     | 10.3     | 28.3      | 59.7     | 10.3     | 28.4      | 60.4     | 10.4     | 28.5      | 61.7     | 10.4     | 28.6      | 62.7     | 10.5     | 28.7      |
|                     |                                 | 96   | 46.9                         | 6.97     | 24.0      | 55.9     | 9.28     | 24.9      | 59.6     | 9.99     | 25.2      | 60.4     | 10.0     | 25.3      | 61.2     | 10.1     | 25.3      | 62.5     | 10.1     | 25.4      | 63.5     | 10.2     | 25.5      |
|                     |                                 | 120  | 46.9                         | 6.84     | 23.2      | 55.9     | 9.09     | 23.9      | 59.8     | 9.88     | 24.2      | 60.7     | 9.93     | 24.2      | 61.5     | 9.97     | 24.3      | 62.8     | 10.0     | 24.4      | 63.9     | 10.1     | 24.4      |
| 25                  | 50                              | 46.9   | 8.82                         | 33.0     | 55.0      | 11.4     | 34.5     | 56.8      | 11.5     | 34.8     | 57.6      | 11.6     | 34.9     | 58.3      | 11.6     | 35.0     | 59.5      | 11.7     | 35.2     | 60.3      | 11.7     | 35.3     |           |
|                     | 60                              | 46.9   | 8.66                         | 31.6     | 55.3      | 11.3     | 33.0     | 57.1      | 11.4     | 33.2     | 57.9      | 11.5     | 33.3     | 58.6      | 11.5     | 33.4     | 59.8      | 11.6     | 33.5     | 60.6      | 11.6     | 33.6     |           |
|                     | 96                              | 46.9   | 8.22                         | 29.1     | 55.9      | 11.0     | 30.0     | 57.8      | 11.1     | 30.1     | 58.6      | 11.2     | 30.2     | 59.4      | 11.2     | 30.3     | 60.6      | 11.3     | 30.4     | 61.5      | 11.3     | 30.4     |           |
|                     | 120                             | 46.9   | 8.06                         | 28.3     | 55.9      | 10.7     | 29.0     | 58.1      | 11.0     | 29.1     | 58.9      | 11.0     | 29.2     | 59.6      | 11.1     | 29.2     | 60.9      | 11.1     | 29.3     | 61.8      | 11.2     | 29.4     |           |
| 30                  | 50                              | 46.9   | 10.5                         | 38.2     | 53.0      | 12.6     | 39.4     | 54.8      | 12.7     | 39.7     | 55.5      | 12.7     | 39.8     | 56.1      | 12.8     | 39.9     | 57.1      | 12.8     | 40.0     | 57.8      | 12.9     | 40.1     |           |
|                     | 60                              | 46.9   | 10.3                         | 36.8     | 53.3      | 12.4     | 37.9     | 55.0      | 12.6     | 38.1     | 55.8      | 12.6     | 38.2     | 56.4      | 12.7     | 38.3     | 57.4      | 12.7     | 38.4     | 58.1      | 12.7     | 38.5     |           |
|                     | 96                              | 46.9   | 9.73                         | 34.2     | 53.9      | 12.1     | 34.9     | 55.7      | 12.2     | 35.1     | 56.5      | 12.3     | 35.1     | 57.1      | 12.3     | 35.2     | 58.2      | 12.4     | 35.3     | 59.0      | 12.4     | 35.3     |           |
|                     | 120                             | 46.9   | 9.54                         | 33.4     | 54.2      | 12.0     | 34.0     | 56.0      | 12.1     | 34.1     | 56.7      | 12.2     | 34.1     | 57.4      | 12.2     | 34.2     | 58.5      | 12.3     | 34.2     | 59.3      | 12.3     | 34.3     |           |
| 35                  | 50                              | 46.9   | 12.5                         | 43.5     | 50.7      | 13.7     | 44.2     | 52.3      | 13.9     | 44.5     | 53.0      | 13.9     | 44.6     | 53.5      | 14.0     | 44.7     | 54.4      | 14.0     | 44.8     | 54.8      | 14.0     | 44.9     |           |
|                     | 60                              | 46.9   | 12.2                         | 42.1     | 51.0      | 13.6     | 42.7     | 52.6      | 13.7     | 42.9     | 53.2      | 13.8     | 43.0     | 53.8      | 13.8     | 43.1     | 54.6      | 13.9     | 43.2     | 55.1      | 13.9     | 43.2     |           |
|                     | 96                              | 46.9   | 11.6                         | 39.4     | 51.6      | 13.2     | 39.8     | 53.2      | 13.4     | 40.0     | 53.9      | 13.4     | 40.0     | 54.5      | 13.5     | 40.1     | 55.4      | 13.5     | 40.1     | 56.0      | 13.5     | 40.2     |           |
|                     | 120                             | 46.9   | 11.4                         | 38.5     | 51.8      | 13.1     | 38.9     | 53.5      | 13.2     | 39.0     | 54.2      | 13.3     | 39.0     | 54.8      | 13.3     | 39.1     | 55.7      | 13.4     | 39.1     | 56.3      | 13.4     | 39.2     |           |
| 40                  | 50                              | 38.1   | 10.1                         | 46.9     | 39.2      | 10.2     | 47.1     | 39.9      | 10.2     | 47.2     | 40.0      | 10.2     | 47.2     | 40.0      | 10.2     | 47.2     | 39.6      | 10.1     | 47.1     | 38.7      | 9.91     | 47.0     |           |
|                     | 60                              | 40.1   | 10.9                         | 46.1     | 41.4      | 11.0     | 46.3     | 42.3      | 11.1     | 46.4     | 42.5      | 11.1     | 46.4     | 42.6      | 11.1     | 46.4     | 42.5      | 11.0     | 46.4     | 42.0      | 10.9     | 46.3     |           |
|                     | 96                              | 45.5   | 12.2                         | 44.3     | 47.3      | 12.4     | 44.5     | 48.6      | 12.5     | 44.6     | 49.2      | 12.5     | 44.6     | 49.6      | 12.5     | 44.6     | 50.1      | 12.6     | 44.7     | 50.2      | 12.5     | 44.7     |           |
|                     | 120                             | 45.9   | 12.0                         | 43.5     | 47.7      | 12.2     | 43.6     | 49.1      | 12.3     | 43.7     | 49.6      | 12.3     | 43.7     | 50.1      | 12.3     | 43.7     | 50.6      | 12.4     | 43.8     | 50.8      | 12.3     | 43.8     |           |
| 45                  | 50                              | 26.6   | 6.39                         | 47.7     | 26.3      | 6.30     | 49.7     | 25.3      | 6.12     | 49.5     | 24.4      | 6.00     | 49.4     | 23.4      | 5.85     | 49.2     | 20.8      | 5.49     | 48.8     | 17.4      | 5.04     | 48.2     |           |
|                     | 60                              | 29.2   | 7.06                         | 49.3     | 29.3      | 7.01     | 49.3     | 28.8      | 6.88     | 49.3     | 28.2      | 6.79     | 49.2     | 27.5      | 6.68     | 49.1     | 25.5      | 6.39     | 48.8     | 22.8      | 6.03     | 48.4     |           |
|                     | 96                              | 36.4   | 9.26                         | 48.4     | 37.5      | 9.33     | 48.5     | 37.9      | 9.32     | 48.5     | 37.9      | 9.32     | 48.5     | 37.9      | 9.25     | 48.5     | 37.2      | 9.12     | 48.5     | 36.1      | 8.93     | 48.4     |           |
|                     | 120                             | 40.0   | 10.6                         | 48.0     | 41.3      | 10.7     | 48.1     | 42.1      | 10.8     | 48.2     | 42.4      | 10.8     | 48.2     | 42.5      | 10.8     | 48.2     | 42.4      | 10.7     | 48.2     | 41.8      | 10.6     | 48.1     |           |
| 120                 | 10                              | 50   | 43.2                         | 6.13     | 17.1      | 51.6     | 8.12     | 18.6      | 59.9     | 9.73     | 20.0      | 60.9     | 9.78     | 20.1      | 61.7     | 9.83     | 20.3      | 63.2     | 9.90     | 20.5      | 64.4     | 9.95     | 20.7      |
|                     |                                 | 60   | 43.2                         | 6.02     | 15.9      | 51.6     | 7.97     | 17.1      | 59.9     | 9.62     | 18.3      | 61.2     | 9.69     | 18.5      | 62.0     | 9.73     | 18.6      | 63.5     | 9.80     | 18.8      | 64.8     | 9.85     | 18.9      |
|                     |                                 | 96   | 43.2                         | 5.72     | 13.7      | 51.6     | 7.56     | 14.4      | 59.9     | 9.31     | 15.2      | 61.9     | 9.42     | 15.3      | 62.8     | 9.46     | 15.4      | 64.3     | 9.53     | 15.5      | 65.6     | 9.58     | 15.6      |
|                     |                                 | 120  | 43.2                         | 5.61     | 12.9      | 51.6     | 7.41     | 13.5      | 59.9     | 9.19     | 14.1      | 62.2     | 9.32     | 14.3      | 63.1     | 9.36     | 14.3      | 64.6     | 9.43     | 14.4      | 65.9     | 9.48     | 14.5      |
|                     | 15                              | 50   | 43.2                         | 6.35     | 22.1      | 51.6     | 8.41     | 23.6      | 58.9     | 10.02    | 24.9      | 59.8     | 10.07    | 25.0      | 60.6     | 10.11    | 25.1      | 62.1     | 10.19    | 25.4      | 63.2     | 10.24    | 25.5      |
|                     |                                 | 60   | 43.2                         | 6.23     | 20.9      | 51.6     | 8.25     | 22.1      | 59.2     | 9.92     | 23.3      | 60.1     | 9.97     | 23.4      | 60.9     | 10.01    | 23.5      | 62.4     | 10.09    | 23.7      | 63.5     | 10.14    | 23.8      |
|                     |                                 | 96   | 43.2                         | 5.92     | 18.7      | 51.6     | 7.83     | 19.4      | 59.9     | 9.65     | 20.2      | 60.8     | 9.70     | 20.3      | 61.7     | 9.74     | 20.3      | 63.2     | 9.81     | 20.4      | 64.4     | 9.86     | 20.5      |
|                     |                                 | 120  | 43.2                         | 5.80     | 17.9      | 51.6     | 7.68     | 18.5      | 59.9     | 9.53     | 19.1      | 61.1     | 9.60     | 19.2      | 62.0     | 9.64     | 19.3      | 63.5     | 9.71     | 19.4      | 64.7     | 9.76     | 19.4      |
|                     | 20                              | 50   | 43.2                         | 6.59     | 27.1      | 51.6     | 8.74     | 28.6      | 57.5     | 10.3     | 29.7      | 58.4     | 10.4     | 29.9      | 59.2     | 10.4     | 30.0      | 60.6     | 10.5     | 30.2      | 61.6     | 10.5     | 30.3      |
|                     |                                 | 60   | 43.2                         | 6.47     | 25.9      | 51.6     | 8.57     | 27.2      | 57.8     | 10.2     | 28.1      | 58.7     | 10.3     | 28.2      | 59.5     | 10.3     | 28.3      | 60.8     | 10.4     | 28.5      | 62.0     | 10.4     | 28.6      |
|                     |                                 | 96   | 43.2                         | 6.15     | 23.7      | 51.6     | 8.14     | 24.5      | 58.5     | 9.93     | 25.1      | 59.4     | 9.98     | 25.2      | 60.2     | 10.0     | 25.2      | 61.6     | 10.1     | 25.4      | 62.8     | 10.1     | 25.4      |
|                     |                                 | 120  | 43.2                         | 6.03     | 22.9      | 51.6     | 7.98     | 23.6      | 58.8     | 9.82     | 24.1      | 59.7     | 9.87     | 24.2      | 60.5     | 9.91     | 24.2      | 61.9     | 9.99     | 24.3      | 63.1     | 10.0     | 24.4      |
| 25                  | 50                              | 43.2   | 7.77                         | 32.3     | 51.6      | 10.3     | 33.9     | 55.9      | 11.5     | 34.7     | 56.7      | 11.5     | 34.8     | 57.4      | 11.6     | 34.9     | 58.7      | 11.6     | 35.1     | 59.7      | 11.7     | 35.2     |           |
|                     | 60                              | 43.2   | 7.62                         | 31.1     | 51.6      | 10.1     | 32.4     | 56.1      | 11.4     | 33.1     | 56.9      | 11.4     | 33.2     | 57.7      | 11.5     | 33.3     | 59.0      | 11.5     | 33.4     | 60.0      | 11.6     | 33.5     |           |
|                     | 96                              | 43.2   | 7.24                         | 28.8     | 51.6      | 9.60     | 29.6     | 56.8      | 11.0     | 30.1     | 57.7      | 11.1     | 30.1     | 58.4      | 11.1     | 30.2     | 59.8      | 11.2     | 30.3     | 60.8      | 11.3     | 30.4     |           |
|                     | 120                             | 43.2   | 7.10                         | 28.0     | 51.6      | 9.41     | 28.6     | 57.1      | 10.9     | 29.1     | 57.9      | 11.0     | 29.1     | 58.7      | 11.0     | 29.2     | 60.0      | 11.1     | 29.2     | 61.1      | 11.2     | 29.3     |           |
| 30                  | 50                              | 43.2   | 9.18                         | 37.5     | 51.6      | 12.2     | 39.1     | 53.9      | 12.6     | 39.5     | 54.6      | 12.7     | 39.6     | 55.3      | 12.7     | 39.8     | 56.5      | 12.8     | 39.9     | 57.3      | 12.9     | 40.1     |           |
|                     | 60                              | 43.2   | 9.01                         | 36.2     | 51.6      | 12.0     | 37.6     | 54.1      | 12.5     | 38.0     | 54.9      | 12.6     | 38.1     | 55.6      | 12.6     | 38.1     | 56.7      | 12.7     | 38.3     | 57.6      | 12.7     | 38.4     |           |
|                     | 96                              | 43.2   | 8.56                         | 33.9     | 51.6      | 11.4     | 34.7     | 54.8      | 12.2     | 35.0     | 55.6      | 12.2     | 35.1     | 56.3      | 12.3     | 35.1     | 57.5      | 12.3     | 35.2     | 58.4      | 12.4     | 35.3     |           |
|                     | 120                             | 43.2   | 8.39                         | 33.1     |           |          |          |           |          |          |           |          |          |           |          |          |           |          |          |           |          |          |           |



# 4 Capacity tables

## 4 - 2 Cooling capacity tables

| RWEYQ20PY1      |                        | TC: Total Capacity: kW ; PI: Power Input: kW (compressor + outdoor fan motor) ; OWT: Outlet Water Temperatur: °C |                              |      |      |      |      |      |      |      |      |      |      |      |      |      |      |      |       |      |      |       |      |      |      |      |      |      |      |      |       |      |      |      |      |    |    |     |      |  |  |  |  |  |
|-----------------|------------------------|--|------------------------------|------|------|------|------|------|------|------|------|------|------|------|------|------|------|------|-------|------|------|-------|------|------|------|------|------|------|------|------|-------|------|------|------|------|----|----|-----|------|--|--|--|--|--|
| Combination (%) | Inlet Water Temp. (°C) | Water Volume (note2) L/min   | Indoor air temperature: °CWB |      |      |      |      |      |      |      |      |      |      |      |      |      |      |      |       |      |      |       |      |      |      |      |      |      |      |      |       |      |      |      |      |    |    |     |      |  |  |  |  |  |
|                 |                        |  | 14.0                         |      |      |      |      |      | 16.0 |      |      |      |      |      | 18.0 |      |      |      |       |      | 19.0 |       |      |      |      |      | 20.0 |      |      |      |       |      | 22.0 |      |      |    |    |     | 24.0 |  |  |  |  |  |
|                 |                        |  | TC                           | PI   | OWT  | TC   | PI   | OWT  | TC   | PI   | OWT  | TC   | PI   | OWT  | TC   | PI   | OWT  | TC   | PI    | OWT  | TC   | PI    | OWT  | TC   | PI   | OWT  | TC   | PI   | OWT  | TC   | PI    | OWT  | TC   | PI   | OWT  | TC | PI | OWT |      |  |  |  |  |  |
| 100             | 10                     | 50   | 36.0                         | 4.64 | 15.8 | 43.0 | 6.07 | 17.0 | 49.9 | 7.70 | 18.3 | 53.4 | 8.59 | 18.9 | 56.9 | 9.53 | 19.5 | 60.8 | 9.78  | 20.1 | 62.2 | 9.85  | 20.3 | 60.8 | 9.78 | 20.1 | 62.2 | 9.85 | 20.3 | 60.8 | 9.78  | 20.1 | 62.2 | 9.85 | 20.3 |    |    |     |      |  |  |  |  |  |
|                 |                        | 60   | 36.0                         | 4.56 | 14.9 | 43.0 | 5.96 | 15.8 | 49.9 | 7.56 | 16.9 | 53.4 | 8.43 | 17.4 | 56.9 | 9.35 | 17.9 | 61.1 | 9.68  | 18.5 | 62.5 | 9.75  | 18.6 | 61.1 | 9.68 | 18.5 | 62.5 | 9.75 | 18.6 | 61.1 | 9.68  | 18.5 | 62.5 | 9.75 | 18.6 |    |    |     |      |  |  |  |  |  |
|                 |                        | 96   | 36.0                         | 4.34 | 13.0 | 43.0 | 5.66 | 13.6 | 49.9 | 7.17 | 14.3 | 53.4 | 8.00 | 14.6 | 56.9 | 8.87 | 14.9 | 61.9 | 9.42  | 15.3 | 63.3 | 9.49  | 15.4 | 61.9 | 9.42 | 15.3 | 63.3 | 9.49 | 15.4 | 61.9 | 9.42  | 15.3 | 63.3 | 9.49 | 15.4 |    |    |     |      |  |  |  |  |  |
|                 |                        | 120  | 36.0                         | 4.25 | 12.4 | 43.0 | 5.55 | 12.9 | 49.9 | 7.03 | 13.4 | 53.4 | 7.84 | 13.7 | 56.9 | 8.70 | 13.9 | 62.2 | 9.32  | 14.3 | 63.6 | 9.39  | 14.4 | 62.2 | 9.32 | 14.3 | 63.6 | 9.39 | 14.4 | 62.2 | 9.32  | 14.3 | 63.6 | 9.39 | 14.4 |    |    |     |      |  |  |  |  |  |
|                 | 15                     | 50   | 36.0                         | 4.80 | 20.9 | 43.0 | 6.29 | 22.1 | 49.9 | 7.98 | 23.3 | 53.4 | 8.90 | 23.9 | 56.9 | 9.87 | 24.6 | 59.7 | 10.07 | 25.0 | 61.1 | 10.14 | 25.2 | 60.0 | 9.68 | 23.0 | 60.0 | 9.97 | 23.4 | 61.4 | 10.04 | 23.5 | 60.0 | 9.68 | 23.0 |    |    |     |      |  |  |  |  |  |
|                 |                        | 60   | 36.0                         | 4.72 | 19.9 | 43.0 | 6.17 | 20.9 | 49.9 | 7.82 | 21.9 | 53.4 | 8.73 | 22.4 | 56.9 | 9.68 | 23.0 | 60.0 | 9.97  | 23.4 | 61.4 | 10.04 | 23.5 | 60.0 | 9.68 | 23.0 | 60.0 | 9.97 | 23.4 | 61.4 | 10.04 | 23.5 | 60.0 | 9.68 | 23.0 |    |    |     |      |  |  |  |  |  |
|                 |                        | 96   | 36.0                         | 4.49 | 18.0 | 43.0 | 5.86 | 18.6 | 49.9 | 7.43 | 19.3 | 53.4 | 8.28 | 19.6 | 56.9 | 9.19 | 19.9 | 60.8 | 9.70  | 20.3 | 62.1 | 9.76  | 20.4 | 60.8 | 9.70 | 20.3 | 62.1 | 9.76 | 20.4 | 60.8 | 9.70  | 20.3 | 62.1 | 9.76 | 20.4 |    |    |     |      |  |  |  |  |  |
|                 |                        | 120  | 36.0                         | 4.40 | 17.4 | 43.0 | 5.75 | 17.9 | 49.9 | 7.28 | 18.4 | 53.4 | 8.12 | 18.7 | 56.9 | 9.00 | 18.9 | 61.0 | 9.59  | 19.2 | 62.4 | 9.66  | 19.3 | 61.0 | 9.59 | 19.2 | 62.4 | 9.66 | 19.3 | 61.0 | 9.59  | 19.2 | 62.4 | 9.66 | 19.3 |    |    |     |      |  |  |  |  |  |
|                 | 20                     | 50   | 36.0                         | 4.99 | 25.9 | 43.0 | 6.53 | 27.1 | 49.9 | 8.29 | 28.3 | 53.4 | 9.25 | 29.0 | 56.9 | 10.3 | 29.6 | 58.4 | 10.4  | 29.8 | 59.6 | 10.4  | 30.0 | 58.4 | 10.3 | 29.6 | 58.4 | 10.4 | 29.8 | 59.6 | 10.4  | 30.0 | 58.4 | 10.3 | 29.6 |    |    |     |      |  |  |  |  |  |
|                 |                        | 60   | 36.0                         | 4.90 | 24.9 | 43.0 | 6.41 | 25.9 | 49.9 | 8.13 | 26.9 | 53.4 | 9.07 | 27.5 | 56.9 | 10.1 | 28.0 | 58.6 | 10.3  | 28.2 | 59.9 | 10.3  | 28.4 | 58.6 | 10.1 | 28.0 | 58.6 | 10.3 | 28.2 | 59.9 | 10.3  | 28.4 | 58.6 | 10.1 | 28.0 |    |    |     |      |  |  |  |  |  |
|                 |                        | 96   | 36.0                         | 4.66 | 23.0 | 43.0 | 6.09 | 23.7 | 49.9 | 7.72 | 24.3 | 53.4 | 8.61 | 24.6 | 56.9 | 9.55 | 25.0 | 59.4 | 9.97  | 25.2 | 60.7 | 10.0  | 25.3 | 59.4 | 9.55 | 25.0 | 59.4 | 9.97 | 25.2 | 60.7 | 10.0  | 25.3 | 59.4 | 9.55 | 25.0 |    |    |     |      |  |  |  |  |  |
|                 |                        | 120  | 36.0                         | 4.57 | 22.4 | 43.0 | 5.97 | 22.9 | 49.9 | 7.57 | 23.4 | 53.4 | 8.44 | 23.7 | 56.9 | 9.36 | 24.0 | 59.6 | 9.87  | 24.2 | 61.0 | 9.94  | 24.2 | 59.6 | 9.36 | 24.0 | 59.6 | 9.87 | 24.2 | 61.0 | 9.94  | 24.2 | 59.6 | 9.36 | 24.0 |    |    |     |      |  |  |  |  |  |
| 25              | 50                     | 36.0   | 5.86                         | 31.0 | 43.0 | 7.69 | 32.3 | 49.9 | 9.78 | 33.6 | 53.4 | 10.9 | 34.2 | 55.2 | 11.4 | 34.6 | 56.6 | 11.5 | 34.8  | 57.8 | 11.6 | 35.0  | 56.6 | 11.4 | 34.6 | 56.6 | 11.5 | 34.8 | 57.8 | 11.6 | 35.0  | 56.6 | 11.4 | 34.6 |      |    |    |     |      |  |  |  |  |  |
|                 | 60                     | 36.0   | 5.75                         | 30.0 | 43.0 | 7.55 | 31.0 | 49.9 | 9.59 | 32.1 | 53.4 | 10.7 | 32.7 | 55.5 | 11.3 | 33.0 | 56.9 | 11.4 | 33.2  | 58.1 | 11.5 | 33.3  | 56.9 | 11.3 | 33.0 | 56.9 | 11.4 | 33.2 | 58.1 | 11.5 | 33.3  | 56.9 | 11.3 | 33.0 |      |    |    |     |      |  |  |  |  |  |
|                 | 96                     | 36.0   | 5.47                         | 28.1 | 43.0 | 7.17 | 28.7 | 49.9 | 9.11 | 29.4 | 53.4 | 10.2 | 29.7 | 56.2 | 11.0 | 30.0 | 57.6 | 11.1 | 30.1  | 58.9 | 11.2 | 30.2  | 57.6 | 11.0 | 30.0 | 57.6 | 11.1 | 30.1 | 58.9 | 11.2 | 30.2  | 57.6 | 11.0 | 30.0 |      |    |    |     |      |  |  |  |  |  |
|                 | 120                    | 36.0   | 5.37                         | 27.5 | 43.0 | 7.03 | 28.0 | 49.9 | 8.93 | 28.5 | 53.4 | 9.96 | 28.8 | 56.4 | 10.9 | 29.0 | 57.9 | 11.0 | 29.1  | 59.1 | 11.0 | 29.2  | 57.9 | 10.9 | 29.0 | 57.9 | 11.0 | 29.1 | 59.1 | 11.0 | 29.2  | 57.9 | 10.9 | 29.0 |      |    |    |     |      |  |  |  |  |  |
| 30              | 50                     | 36.0   | 6.91                         | 36.2 | 43.0 | 9.10 | 37.5 | 49.9 | 11.6 | 38.8 | 52.5 | 12.5 | 39.3 | 53.2 | 12.6 | 39.4 | 54.6 | 12.7 | 39.6  | 55.7 | 12.8 | 39.8  | 54.6 | 12.6 | 39.4 | 54.6 | 12.7 | 39.6 | 55.7 | 12.8 | 39.8  | 54.6 | 12.6 | 39.4 |      |    |    |     |      |  |  |  |  |  |
|                 | 60                     | 36.0   | 6.78                         | 35.1 | 43.0 | 8.92 | 36.2 | 49.9 | 11.4 | 37.3 | 52.8 | 12.4 | 37.8 | 53.5 | 12.5 | 37.9 | 54.8 | 12.6 | 38.0  | 56.0 | 12.6 | 38.2  | 54.8 | 12.5 | 37.9 | 54.8 | 12.6 | 38.0 | 56.0 | 12.6 | 38.2  | 54.8 | 12.5 | 37.9 |      |    |    |     |      |  |  |  |  |  |
|                 | 96                     | 36.0   | 6.44                         | 33.2 | 43.0 | 8.47 | 33.8 | 49.9 | 10.8 | 34.5 | 53.4 | 12.1 | 34.9 | 54.2 | 12.1 | 34.9 | 55.5 | 12.2 | 35.1  | 56.7 | 12.3 | 35.1  | 54.2 | 12.1 | 34.9 | 54.2 | 12.1 | 34.9 | 55.5 | 12.2 | 35.1  | 54.2 | 12.1 | 34.9 |      |    |    |     |      |  |  |  |  |  |
|                 | 120                    | 36.0   | 6.32                         | 32.5 | 43.0 | 8.31 | 33.1 | 49.9 | 10.6 | 33.6 | 53.4 | 11.8 | 33.9 | 54.4 | 12.0 | 34.0 | 55.8 | 12.1 | 34.1  | 56.9 | 12.2 | 34.1  | 54.4 | 12.0 | 34.0 | 54.4 | 12.0 | 34.0 | 55.8 | 12.1 | 34.1  | 54.4 | 12.0 | 34.0 |      |    |    |     |      |  |  |  |  |  |
| 35              | 50                     | 36.0   | 8.21                         | 41.3 | 43.0 | 10.9 | 42.7 | 49.5 | 13.6 | 44.0 | 50.2 | 13.7 | 44.2 | 50.9 | 13.8 | 44.3 | 52.1 | 13.9 | 44.5  | 53.1 | 13.9 | 44.6  | 52.1 | 13.8 | 44.3 | 52.1 | 13.9 | 44.5 | 53.1 | 13.9 | 44.6  | 52.1 | 13.8 | 44.3 |      |    |    |     |      |  |  |  |  |  |
|                 | 60                     | 36.0   | 8.05                         | 40.3 | 43.0 | 10.6 | 41.4 | 49.7 | 13.5 | 42.6 | 50.5 | 13.6 | 42.6 | 51.2 | 13.6 | 42.7 | 52.4 | 13.7 | 42.9  | 53.4 | 13.8 | 43.0  | 52.4 | 13.6 | 42.7 | 52.4 | 13.7 | 42.9 | 53.4 | 13.8 | 43.0  | 52.4 | 13.6 | 42.7 |      |    |    |     |      |  |  |  |  |  |
|                 | 96                     | 36.0   | 7.65                         | 38.3 | 43.0 | 10.1 | 39.0 | 49.9 | 12.9 | 39.7 | 51.1 | 13.2 | 39.8 | 51.8 | 13.2 | 39.9 | 53.1 | 13.4 | 40.0  | 54.1 | 13.4 | 40.0  | 53.1 | 13.3 | 39.9 | 53.1 | 13.4 | 40.0 | 54.1 | 13.4 | 40.0  | 53.1 | 13.3 | 39.9 |      |    |    |     |      |  |  |  |  |  |
|                 | 120                    | 36.0   | 7.51                         | 37.6 | 43.0 | 9.91 | 38.2 | 49.9 | 12.7 | 38.7 | 51.3 | 13.0 | 38.8 | 52.0 | 13.1 | 38.9 | 53.3 | 13.2 | 39.0  | 54.4 | 13.3 | 39.0  | 53.3 | 13.2 | 38.9 | 53.3 | 13.2 | 39.0 | 54.4 | 13.3 | 39.0  | 53.3 | 13.2 | 38.9 |      |    |    |     |      |  |  |  |  |  |
| 40              | 50                     | 36.0   | 9.94                         | 46.6 | 37.4 | 10.1 | 46.8 | 38.5 | 10.2 | 47.0 | 39.0 | 10.2 | 47.0 | 39.3 | 10.2 | 47.1 | 39.8 | 10.2 | 47.2  | 40.0 | 10.2 | 47.2  | 39.8 | 10.2 | 47.1 | 39.8 | 10.2 | 47.2 | 40.0 | 10.2 | 47.2  | 39.8 | 10.2 | 47.2 |      |    |    |     |      |  |  |  |  |  |
|                 | 60                     | 36.0   | 9.73                         | 45.5 | 39.3 | 10.9 | 46.0 | 40.6 | 11.0 | 46.2 | 41.1 | 11.0 | 46.2 | 41.5 | 11.0 | 46.3 | 42.2 | 11.1 | 46.4  | 42.6 | 11.1 | 46.4  | 42.2 | 11.1 | 46.3 | 42.2 | 11.1 | 46.4 | 42.6 | 11.1 | 46.4  | 42.2 | 11.1 | 46.4 |      |    |    |     |      |  |  |  |  |  |
|                 | 96                     | 36.0   | 8.46                         | 43.3 | 43.0 | 11.2 | 44.0 | 46.2 | 12.3 | 44.4 | 46.9 | 12.4 | 44.4 | 47.5 | 12.4 | 44.5 | 48.5 | 12.5 | 44.6  | 49.3 | 12.5 | 44.6  | 48.5 | 12.4 | 44.5 | 48.5 | 12.5 | 44.6 | 49.3 | 12.5 | 44.6  | 48.5 | 12.4 | 44.5 |      |    |    |     |      |  |  |  |  |  |
|                 | 120                    | 36.0   | 8.19                         | 42.6 | 43.0 | 10.9 | 43.2 | 46.6 | 12.1 | 43.5 | 47.3 | 12.2 | 43.5 | 47.9 | 12.2 | 43.6 | 48.9 | 12.3 | 43.7  | 49.8 | 12.3 | 43.7  | 48.9 | 12.3 | 43.6 | 48.9 | 12.3 | 43.7 | 49.8 | 12.3 | 43.7  | 48.9 | 12.3 | 43.7 |      |    |    |     |      |  |  |  |  |  |
| 45              | 50                     | 26.0   | 6.39                         | 49.6 | 26.5 | 6.41 | 49.7 | 26.6 | 6.37 | 49.7 | 26.5 | 6.33 | 49.7 | 26.3 | 6.29 | 49.7 | 25.4 | 6.15 | 49.5  | 24.2 | 5.95 | 49.3  | 26.3 | 6.29 | 49.7 | 25.4 | 6.15 | 49.5 | 24.2 | 5.95 | 49.3  | 26.3 | 6.29 | 49.7 |      |    |    |     |      |  |  |  |  |  |
|                 | 60                     | 28.2   | 7.00                         | 49.2 | 29.0 | 7.05 | 49.3 | 29.4 | 7.05 | 49.3 | 29.4 | 7.03 | 49.4 | 29.3 | 7.00 | 49.3 | 28.9 | 6.90 | 49.3  | 28.0 | 6.76 | 49.2  | 29.3 | 7.00 | 49.3 | 28.9 | 6.90 | 49.3 | 28.0 | 6.76 | 49.2  | 29.3 | 7.00 | 49.3 |      |    |    |     |      |  |  |  |  |  |
|                 | 96                     | 34.5   | 9.11                         | 48.3 | 35.9 | 9.22 | 48.4 | 36.8 | 9.29 | 48.4 | 37.2 | 9.31 | 48.5 | 37.5 | 9.33 | 48.5 | 37.9 | 9.33 | 48.5  | 37.9 | 9.28 | 48.5  | 37.5 | 9.33 | 48.5 | 37.9 | 9.33 | 48.5 | 37.9 | 9.28 | 48.5  | 37.5 | 9.33 | 48.5 |      |    |    |     |      |  |  |  |  |  |
|                 | 120                    | 36.0   | 9.52                         | 47.7 | 39.2 | 10.6 | 48.0 | 40.5 | 10.7 | 48.1 | 41.0 | 10.7 | 48.1 | 41.4 | 10.8 | 48.1 | 42.1 | 10.8 | 48.2  | 42.4 | 10.8 | 48.2  | 42.1 | 10.8 | 48.1 | 42.1 | 10.8 | 48.2 | 42.4 | 10.8 | 48.2  | 42.1 | 10.8 | 48.2 |      |    |    |     |      |  |  |  |  |  |
| 90              | 10                     | 50   | 32.4                         | 3.98 | 15.2 | 38.7 | 5.16 | 16.3 | 44.9 | 6.51 | 17.4 | 48.1 | 7.24 | 17.9 | 51.2 | 8.02 | 18.5 | 57.4 | 9.57  | 19.6 | 60.8 | 9.78  | 20.1 | 51.2 | 8.02 | 18.5 | 57.4 | 9.57 | 19.6 | 60.8 | 9.78  | 20.1 | 51.2 | 8.02 | 18.5 |    |    |     |      |  |  |  |  |  |
|                 |                        | 60   | 32.4                         | 3.91 | 14.3 | 38.7 | 5.07 | 15.2 | 44.9 | 6.39 | 16.1 | 48.1 | 7.11 | 16.6 | 51.2 | 7.87 | 17.1 | 57.4 | 9.46  | 18.0 | 61.1 | 9.68  | 18.5 | 51.2 | 7.87 | 17.1 | 57.4 | 9.46 | 18.0 | 61.1 | 9.68  | 18.5 | 51.2 | 7.87 | 17.1 |    |    |     |      |  |  |  |  |  |
|                 |                        | 96   | 32.4                         | 3.72 | 12.7 | 38.7 | 4.82 | 13.2 | 44.9 | 6.07 | 13.8 | 48.1 | 6.75 | 14.1 | 51.2 | 7.47 | 14.4 | 57.4 | 9.02  | 15.0 | 61.8 | 9.42  | 15.3 | 51.2 | 7.47 | 14.4 | 57.4 | 9.02 | 15.0 | 61.8 | 9.42  | 15.3 | 51.2 | 7.47 | 14.4 |    |    |     |      |  |  |  |  |  |
|                 |                        | 120  | 32.4                         | 3.65 | 12.2 | 38.7 | 4.73 | 12.6 | 44.9 | 5.95 | 13.0 | 48.1 | 6.62 | 13.3 | 51.2 | 7.32 | 13.5 | 57.4 | 8.84  | 14.0 | 62.1 | 9.32  | 14.3 | 51.2 | 7.32 | 13.5 | 57.4 | 8.84 | 14.0 | 62.1 | 9.32  | 14.3 | 51.2 | 7.32 | 13.5 |    |    |     |      |  |  |  |  |  |
|                 | 15                     | 50   | 32.4                         | 4.12 | 20.2 | 38.7 | 5.34 | 21.3 | 44.9 | 6.74 | 22.4 | 48.1 | 7.50 | 23.0 | 51.2 | 8.30 | 23.5 | 57.4 | 9.92  | 24.7 | 59.7 | 10.07 | 25.0 | 51.2 | 8.30 | 23.5 | 57.4 | 9.92 | 24.7 | 59.7 | 10.07 | 25.0 | 51.2 | 8.30 | 23.5 |    |    |     |      |  |  |  |  |  |
|                 |                        | 60   | 32.4                         | 4.04 | 19   |      |      |      |      |      |      |      |      |      |      |      |      |      |       |      |      |       |      |      |      |      |      |      |      |      |       |      |      |      |      |    |    |     |      |  |  |  |  |  |

# 4 Capacity tables

## 4 - 2 Cooling capacity tables

| RWEYQ20PY1          |                                 | TC: Total Capacity: kW ; PI: Power Input: kW (compressor + outdoor fan motor) ; OWT: Outlet Water Temperatur: °C |                              |      |      |      |      |      |       |      |      |       |      |      |      |      |      |      |      |      |      |      |      |      |       |      |      |      |      |      |       |      |      |       |      |      |      |      |      |      |      |      |      |      |      |
|---------------------|---------------------------------|--|------------------------------|------|------|------|------|------|-------|------|------|-------|------|------|------|------|------|------|------|------|------|------|------|------|-------|------|------|------|------|------|-------|------|------|-------|------|------|------|------|------|------|------|------|------|------|------|
| Combinatio<br>n (%) | Inlet<br>Water<br>Temp.<br>(°C) | Water<br>Volume<br>(note2)<br>L/min  | Indoor air temperature: °CWB |      |      |      |      |      |       |      |      |       |      |      |      |      |      |      |      |      |      |      |      |      |       |      |      |      |      |      |       |      |      |       |      |      |      |      |      |      |      |      |      |      |      |
|                     |                                 |  | 14.0                         |      |      | 16.0 |      |      | 18.0  |      |      | 19.0  |      |      | 21.0 |      |      | 22.0 |      |      | 24.0 |      |      |      |       |      |      |      |      |      |       |      |      |       |      |      |      |      |      |      |      |      |      |      |      |
|                     |                                 |  | TC                           | PI   | OWT  | TC   | PI   | OWT  | TC    | PI   | OWT  | TC    | PI   | OWT  | TC   | PI   | OWT  | TC   | PI   | OWT  | TC   | PI   | OWT  | TC   | PI    | OWT  | TC   | PI   | OWT  |      |       |      |      |       |      |      |      |      |      |      |      |      |      |      |      |
| 70                  | 10                              | 50   | 25.2                         | 2.82 | 14.0 | 30.1 | 3.58 | 14.8 | 35.0  | 4.44 | 15.6 | 37.4  | 4.90 | 16.1 | 39.8 | 5.39 | 16.5 | 44.7 | 6.45 | 17.3 | 49.5 | 7.60 | 18.2 | 50   | 25.2  | 2.77 | 13.3 | 30.1 | 3.51 | 14.0 | 35.0  | 4.36 | 14.7 | 37.4  | 4.81 | 15.0 | 39.8 | 5.29 | 15.4 | 44.7 | 6.33 | 16.1 | 49.5 | 7.46 | 16.8 |
|                     |                                 | 60   | 25.2                         | 2.64 | 12.1 | 30.1 | 3.35 | 12.5 | 35.0  | 4.14 | 12.9 | 37.4  | 4.58 | 13.1 | 39.8 | 5.03 | 13.3 | 44.7 | 6.01 | 13.8 | 49.5 | 7.08 | 14.2 | 50   | 25.2  | 2.59 | 11.7 | 30.1 | 3.29 | 12.0 | 35.0  | 4.07 | 12.3 | 37.4  | 4.49 | 12.5 | 39.8 | 4.94 | 12.7 | 44.7 | 5.90 | 13.0 | 49.5 | 6.94 | 13.4 |
|                     |                                 | 120  | 25.2                         | 2.59 | 11.7 | 30.1 | 3.29 | 12.0 | 35.0  | 4.07 | 12.3 | 37.4  | 4.49 | 12.5 | 39.8 | 4.94 | 12.7 | 44.7 | 6.10 | 13.0 | 49.5 | 7.19 | 13.4 | 50   | 25.2  | 2.91 | 19.0 | 30.1 | 3.70 | 19.8 | 35.0  | 4.59 | 20.7 | 37.4  | 5.07 | 21.1 | 39.8 | 5.58 | 21.5 | 44.7 | 6.68 | 22.4 | 49.5 | 7.87 | 23.2 |
|                     | 15                              | 60   | 25.2                         | 2.86 | 18.4 | 30.1 | 3.63 | 19.0 | 35.0  | 4.51 | 19.7 | 37.4  | 4.98 | 20.1 | 39.8 | 5.48 | 20.4 | 44.7 | 6.55 | 21.1 | 49.5 | 7.72 | 21.8 | 50   | 25.2  | 2.73 | 17.1 | 30.1 | 3.46 | 17.5 | 35.0  | 4.29 | 17.9 | 37.4  | 4.74 | 18.1 | 39.8 | 5.21 | 18.4 | 44.7 | 6.22 | 18.8 | 49.5 | 7.33 | 19.2 |
|                     |                                 | 96   | 25.2                         | 2.68 | 16.7 | 30.1 | 3.40 | 17.0 | 35.0  | 4.21 | 17.3 | 37.4  | 4.65 | 17.5 | 39.8 | 5.11 | 17.7 | 44.7 | 6.10 | 18.0 | 49.5 | 7.19 | 18.4 | 50   | 25.2  | 3.02 | 24.0 | 30.1 | 3.84 | 24.9 | 35.0  | 4.77 | 25.7 | 37.4  | 5.27 | 26.1 | 39.8 | 5.80 | 26.5 | 44.7 | 6.94 | 27.4 | 49.5 | 8.18 | 28.3 |
|                     |                                 | 120  | 25.2                         | 2.78 | 21.7 | 30.1 | 3.53 | 22.0 | 35.0  | 4.37 | 22.3 | 37.4  | 4.83 | 22.5 | 39.8 | 5.31 | 22.7 | 44.7 | 6.34 | 23.0 | 49.5 | 7.47 | 23.4 | 50   | 25.2  | 2.97 | 23.0 | 30.1 | 3.77 | 24.0 | 35.0  | 4.68 | 24.7 | 37.4  | 5.17 | 25.1 | 39.8 | 5.69 | 25.4 | 44.7 | 6.81 | 26.1 | 49.5 | 8.03 | 26.9 |
|                     | 20                              | 60   | 25.2                         | 2.83 | 22.1 | 30.1 | 3.59 | 22.5 | 35.0  | 4.45 | 22.9 | 37.4  | 4.92 | 23.2 | 39.8 | 5.41 | 23.4 | 44.7 | 6.47 | 23.8 | 49.5 | 7.62 | 24.3 | 50   | 25.2  | 2.78 | 21.7 | 30.1 | 3.53 | 22.0 | 35.0  | 4.37 | 22.3 | 37.4  | 4.83 | 22.5 | 39.8 | 5.31 | 22.7 | 44.7 | 6.34 | 23.0 | 49.5 | 7.47 | 23.4 |
|                     |                                 | 96   | 25.2                         | 2.68 | 19.0 | 30.1 | 3.40 | 19.3 | 35.0  | 4.21 | 19.6 | 37.4  | 4.65 | 19.9 | 39.8 | 5.11 | 20.2 | 44.7 | 6.10 | 20.6 | 49.5 | 7.19 | 21.1 | 50   | 25.2  | 3.52 | 29.1 | 30.1 | 4.50 | 30.0 | 35.0  | 5.39 | 30.8 | 37.4  | 6.19 | 31.2 | 39.8 | 6.82 | 31.7 | 44.7 | 8.17 | 32.6 | 49.5 | 9.67 | 33.5 |
|                     |                                 | 120  | 25.2                         | 3.24 | 26.7 | 30.1 | 4.13 | 27.0 | 35.0  | 5.13 | 27.4 | 37.4  | 5.67 | 27.6 | 39.8 | 6.24 | 27.8 | 44.7 | 7.47 | 28.1 | 49.5 | 8.81 | 28.5 | 50   | 25.2  | 3.46 | 28.4 | 30.1 | 4.42 | 29.1 | 35.0  | 5.49 | 29.8 | 37.4  | 6.08 | 30.2 | 39.8 | 6.69 | 30.6 | 44.7 | 8.02 | 31.3 | 49.5 | 9.47 | 32.0 |
|                     | 25                              | 60   | 25.2                         | 3.30 | 27.1 | 30.1 | 4.20 | 27.6 | 35.0  | 5.22 | 28.0 | 37.4  | 5.78 | 28.2 | 39.8 | 6.36 | 28.4 | 44.7 | 7.62 | 28.9 | 49.5 | 8.99 | 29.4 | 50   | 25.2  | 3.24 | 26.7 | 30.1 | 4.13 | 27.0 | 35.0  | 5.13 | 27.4 | 37.4  | 5.67 | 27.6 | 39.8 | 6.24 | 27.8 | 44.7 | 7.47 | 28.1 | 49.5 | 8.81 | 28.5 |
|                     |                                 | 96   | 25.2                         | 3.02 | 24.0 | 30.1 | 3.84 | 24.9 | 35.0  | 4.77 | 25.7 | 37.4  | 5.27 | 26.1 | 39.8 | 5.80 | 26.5 | 44.7 | 6.94 | 27.4 | 49.5 | 8.18 | 28.3 | 50   | 25.2  | 4.12 | 34.2 | 30.1 | 5.28 | 35.1 | 35.0  | 6.59 | 36.0 | 37.4  | 7.30 | 36.4 | 39.8 | 8.06 | 36.9 | 44.7 | 9.67 | 37.8 | 49.5 | 11.4 | 38.7 |
|                     |                                 | 120  | 25.2                         | 4.12 | 34.2 | 30.1 | 5.28 | 35.1 | 35.0  | 6.59 | 36.0 | 37.4  | 7.30 | 36.4 | 39.8 | 8.06 | 36.9 | 44.7 | 9.67 | 37.8 | 49.5 | 11.4 | 38.7 | 50   | 25.2  | 4.05 | 33.5 | 30.1 | 5.18 | 34.2 | 35.0  | 6.47 | 34.9 | 37.4  | 7.17 | 35.3 | 39.8 | 7.91 | 35.7 | 44.7 | 9.49 | 36.5 | 49.5 | 11.2 | 37.3 |
| 30                  | 60                              | 25.2   | 3.86                         | 32.2 | 30.1 | 4.94 | 32.6 | 35.0 | 6.15  | 33.1 | 37.4 | 6.81  | 33.3 | 39.8 | 7.51 | 33.5 | 44.7 | 9.01 | 34.0 | 49.5 | 10.7 | 34.5 | 50   | 25.2 | 3.79  | 31.7 | 30.1 | 4.84 | 32.1 | 35.0 | 6.04  | 32.4 | 37.4 | 6.68  | 32.6 | 39.8 | 7.37 | 32.8 | 44.7 | 8.84 | 33.2 | 49.5 | 10.4 | 33.6 |      |
|                     | 96                              | 25.2   | 3.63                         | 29.3 | 30.1 | 4.62 | 30.2 | 35.0 | 5.73  | 30.7 | 37.4 | 6.30  | 30.9 | 39.8 | 7.02 | 31.1 | 44.7 | 8.16 | 31.6 | 49.5 | 9.52 | 32.1 | 50   | 25.2 | 4.85  | 39.3 | 30.1 | 6.25 | 40.2 | 35.0 | 7.83  | 41.1 | 37.4 | 8.69  | 41.6 | 39.8 | 9.59 | 42.1 | 44.7 | 11.6 | 43.1 | 49.5 | 13.6 | 44.0 |      |
|                     | 120                             | 25.2   | 4.77                         | 38.6 | 30.1 | 6.13 | 39.3 | 35.0 | 7.68  | 40.1 | 37.4 | 8.53  | 40.5 | 39.8 | 9.41 | 40.9 | 44.7 | 11.3 | 41.7 | 49.5 | 13.4 | 42.5 | 50   | 25.2 | 4.54  | 37.2 | 30.1 | 5.84 | 37.7 | 35.0 | 7.30  | 38.2 | 37.4 | 8.10  | 38.4 | 39.8 | 8.94 | 38.6 | 44.7 | 10.8 | 39.1 | 49.5 | 12.7 | 39.6 |      |
| 35                  | 60                              | 25.2   | 4.46                         | 36.8 | 30.1 | 5.73 | 37.1 | 35.0 | 7.16  | 37.5 | 37.4 | 7.94  | 37.7 | 39.8 | 8.77 | 37.9 | 44.7 | 10.5 | 38.3 | 49.5 | 12.5 | 38.7 | 50   | 25.2 | 4.63  | 37.8 | 30.1 | 6.04 | 38.7 | 35.0 | 7.83  | 39.4 | 37.4 | 8.69  | 39.7 | 39.8 | 9.59 | 40.6 | 44.7 | 11.6 | 41.5 | 49.5 | 13.4 | 42.5 |      |
|                     | 96                              | 25.2   | 4.54                         | 37.2 | 30.1 | 5.84 | 37.7 | 35.0 | 7.30  | 38.2 | 37.4 | 8.10  | 38.4 | 39.8 | 8.94 | 38.6 | 44.7 | 10.8 | 39.1 | 49.5 | 12.7 | 39.6 | 50   | 25.2 | 5.63  | 44.4 | 30.1 | 7.43 | 45.4 | 35.0 | 9.48  | 46.4 | 37.4 | 9.97  | 46.6 | 39.8 | 10.0 | 46.7 | 44.7 | 11.0 | 46.9 | 49.5 | 12.0 | 47.0 |      |
|                     | 120                             | 25.2   | 5.63                         | 44.4 | 30.1 | 7.43 | 45.4 | 35.0 | 9.48  | 46.4 | 37.4 | 9.97  | 46.6 | 39.8 | 10.0 | 46.7 | 44.7 | 11.0 | 46.9 | 49.5 | 12.0 | 47.0 | 50   | 25.2 | 5.54  | 43.7 | 30.1 | 7.27 | 44.5 | 35.0 | 9.25  | 45.3 | 37.4 | 10.3  | 45.7 | 39.8 | 10.8 | 45.9 | 44.7 | 10.9 | 46.0 | 49.5 | 11.0 | 46.1 |      |
| 40                  | 60                              | 25.2   | 4.93                         | 42.3 | 30.1 | 6.40 | 42.7 | 35.0 | 8.06  | 43.2 | 37.4 | 8.97  | 43.5 | 39.8 | 9.92 | 43.7 | 44.7 | 12.0 | 44.2 | 49.5 | 14.2 | 44.4 | 50   | 25.2 | 4.93  | 42.3 | 30.1 | 6.40 | 42.7 | 35.0 | 8.06  | 43.2 | 37.4 | 8.97  | 43.5 | 39.8 | 9.92 | 43.7 | 44.7 | 12.0 | 44.2 | 49.5 | 14.2 | 44.4 |      |
|                     | 96                              | 25.2   | 4.78                         | 41.8 | 30.1 | 6.19 | 42.2 | 35.0 | 7.80  | 42.6 | 37.4 | 8.67  | 42.8 | 39.8 | 9.60 | 43.0 | 44.7 | 11.6 | 43.4 | 49.5 | 13.1 | 43.5 | 50   | 25.2 | 4.78  | 41.8 | 30.1 | 6.19 | 42.2 | 35.0 | 7.80  | 42.6 | 37.4 | 8.67  | 42.8 | 39.8 | 9.60 | 43.0 | 44.7 | 11.6 | 43.4 | 49.5 | 13.1 | 43.5 |      |
|                     | 120                             | 25.2   | 4.78                         | 41.8 | 30.1 | 6.19 | 42.2 | 35.0 | 7.80  | 42.6 | 37.4 | 8.67  | 42.8 | 39.8 | 9.60 | 43.0 | 44.7 | 11.6 | 43.4 | 49.5 | 13.1 | 43.5 | 50   | 25.2 | 6.25  | 49.4 | 30.1 | 8.33 | 49.5 | 35.0 | 10.33 | 49.6 | 37.4 | 11.2  | 49.7 | 39.8 | 12.3 | 49.7 | 44.7 | 14.0 | 49.7 | 49.5 | 16.0 | 49.7 |      |
| 45                  | 60                              | 25.2   | 6.36                         | 48.8 | 30.1 | 7.92 | 49.1 | 35.0 | 10.09 | 49.2 | 37.4 | 11.02 | 49.2 | 39.8 | 12.3 | 49.3 | 44.7 | 14.6 | 49.3 | 49.5 | 17.0 | 49.3 | 50   | 25.2 | 6.36  | 48.8 | 30.1 | 7.92 | 49.1 | 35.0 | 10.09 | 49.2 | 37.4 | 11.02 | 49.2 | 39.8 | 12.3 | 49.3 | 44.7 | 14.6 | 49.3 | 49.5 | 17.0 | 49.3 |      |
|                     | 96                              | 25.2   | 5.58                         | 47.3 | 30.1 | 7.38 | 47.8 | 35.0 | 9.09  | 48.2 | 37.4 | 10.23 | 48.3 | 39.8 | 11.4 | 48.3 | 44.7 | 13.2 | 48.3 | 49.5 | 15.5 | 48.4 | 50   | 25.2 | 5.58  | 47.3 | 30.1 | 7.38 | 47.8 | 35.0 | 9.09  | 48.2 | 37.4 | 10.23 | 48.3 | 39.8 | 11.4 | 48.3 | 44.7 | 13.2 | 48.3 | 49.5 | 15.5 | 48.4 |      |
|                     | 120                             | 25.2   | 5.42                         | 46.8 | 30.1 | 7.12 | 47.2 | 35.0 | 9.05  | 47.6 | 37.4 | 10.1  | 47.8 | 39.8 | 10.5 | 47.9 | 44.7 | 12.6 | 48.0 | 49.5 | 14.0 | 48.1 | 50   | 25.2 | 6.25  | 49.4 | 30.1 | 8.33 | 49.5 | 35.0 | 10.33 | 49.6 | 37.4 | 11.2  | 49.7 | 39.8 | 12.3 | 49.7 | 44.7 | 14.0 | 49.7 |      |      |      |      |
| 60                  | 10                              | 50   | 21.62                        | 2.31 | 13.4 | 25.8 | 2.90 | 14.1 | 30.0  | 3.55 | 14.8 | 32.0  | 3.91 | 15.2 | 34.1 | 4.28 | 15.5 | 38.3 | 5.08 | 16.2 | 42.5 | 5.96 | 16.9 | 50   | 21.62 | 2.28 | 12.9 | 25.8 | 2.85 | 13.4 | 30.0  | 3.49 | 14.0 | 32.0  | 3.84 | 14.3 | 34.1 | 4.21 | 14.6 | 38.3 | 4.99 | 15.2 | 42.5 | 5.85 | 15.8 |
|                     |                                 | 60   | 21.62                        | 2.17 | 11.8 | 25.8 | 2.72 | 12.1 | 30.0  | 3.33 | 12.5 | 32.0  | 3.66 | 12.7 | 34.1 | 4.00 | 12.8 | 38.3 | 4.75 | 13.2 | 42.5 | 5.55 | 13.6 | 50   | 21.62 | 2.14 | 11.4 | 25.8 | 2.67 | 11.7 | 30.0  | 3.27 | 12.0 | 32.0  | 3.59 | 12.1 | 34.1 | 3.93 | 12.3 | 38.3 | 4.66 | 12.6 | 42.5 | 5.45 | 12.9 |
|                     |                                 | 120  | 21.62                        | 2.14 | 11.4 | 25.8 | 2.67 | 11.7 | 30.0  | 3.27 | 12.0 | 32.0  | 3.59 | 12.1 | 34.1 | 3.93 | 12.3 | 38.3 | 4.66 | 12.6 | 42.5 | 5.45 | 12.9 | 50   | 21.62 | 2.39 | 18.4 | 25.8 | 3.00 | 19.1 | 30.0  | 3.68 | 19.8 | 32.0  | 4.05 | 20.2 | 34.1 | 4.43 | 20.5 | 38.3 | 5.26 | 21.2 | 42.5 | 6.17 | 22.0 |
|                     | 15                              | 60   | 21.62                        | 2.35 | 17.9 | 25.8 | 2.95 | 18.4 | 30.0  | 3.61 | 19.0 | 32.0  | 3.97 | 19.3 | 34.1 | 4.35 | 19.6 | 38.3 | 5.16 | 20.2 | 42.5 | 6.05 | 20.8 | 50   | 21.62 | 2.25 | 16.8 | 25.8 | 2.81 | 17.1 | 30.0  | 3.44 | 17.5 | 32.0  | 3.78 | 17.7 | 34.1 | 4.14 | 17.9 | 38.3 | 4.91 | 18.2 | 42.5 | 5.7  |      |

# 4 Capacity tables

## 4 - 2 Cooling capacity tables

| RWEYQ24PY1      |                        | TC: Total Capacity: kW ; PI: Power Input: kW (compressor + outdoor fan motor) ; OWT: Outlet Water Temperatur: °C |                              |      |      |      |       |      |      |       |      |      |       |      |      |       |      |      |       |      |      |       |      |  |  |  |
|-----------------|------------------------|--|------------------------------|------|------|------|-------|------|------|-------|------|------|-------|------|------|-------|------|------|-------|------|------|-------|------|--|--|--|
| Combination (%) | Inlet Water Temp. (°C) | Water Volume (l/min)   | Indoor air temperature: °CWB |      |      |      |       |      |      |       |      |      |       |      |      |       |      |      |       |      |      |       |      |  |  |  |
|                 |                        |  | 14.0                         |      |      | 16.0 |       |      | 18.0 |       |      | 19.0 |       |      | 20.0 |       |      | 22.0 |       |      | 24.0 |       |      |  |  |  |
|                 |                        |  | TC                           | PI   | OWT  | TC   | PI    | OWT  | TC   | PI    | OWT  | TC   | PI    | OWT  | TC   | PI    | OWT  | TC   | PI    | OWT  | TC   | PI    | OWT  |  |  |  |
| 130             | 10                     | 50   | 59.0                         | 7.87 | 16.4 | 70.3 | 10.48 | 17.7 | 78.8 | 11.08 | 18.4 | 78.0 | 11.13 | 18.5 | 79.0 | 11.18 | 18.6 | 80.8 | 11.25 | 18.8 | 82.2 | 11.29 | 18.9 |  |  |  |
|                 |                        | 60   | 59.0                         | 7.72 | 15.3 | 70.3 | 10.28 | 16.4 | 77.2 | 10.97 | 17.0 | 78.3 | 11.02 | 17.1 | 79.4 | 11.07 | 17.2 | 81.2 | 11.14 | 17.4 | 82.6 | 11.18 | 17.5 |  |  |  |
|                 |                        | 120  | 59.0                         | 7.34 | 13.3 | 70.3 | 9.75  | 14.0 | 78.2 | 10.67 | 14.4 | 79.3 | 10.72 | 14.5 | 80.4 | 10.77 | 14.5 | 82.0 | 10.84 | 14.6 | 83.7 | 10.88 | 14.7 |  |  |  |
|                 | 15                     | 50   | 59.0                         | 8.15 | 21.4 | 70.3 | 10.85 | 22.8 | 75.5 | 11.4  | 23.3 | 76.6 | 11.5  | 23.4 | 77.6 | 11.5  | 23.5 | 79.3 | 11.6  | 23.7 | 80.6 | 11.6  | 23.8 |  |  |  |
|                 |                        | 60   | 59.0                         | 8.00 | 20.3 | 70.3 | 10.64 | 21.4 | 75.8 | 11.3  | 21.9 | 76.9 | 11.3  | 22.0 | 77.9 | 11.4  | 22.1 | 79.6 | 11.5  | 22.3 | 81.0 | 11.5  | 22.4 |  |  |  |
|                 |                        | 120  | 59.0                         | 7.59 | 18.3 | 70.3 | 10.10 | 19.0 | 76.8 | 11.0  | 19.4 | 77.9 | 11.0  | 19.4 | 78.9 | 11.1  | 19.5 | 80.7 | 11.2  | 19.6 | 82.1 | 11.2  | 19.6 |  |  |  |
|                 | 20                     | 50   | 59.0                         | 8.47 | 26.4 | 70.3 | 11.3  | 27.8 | 73.7 | 11.7  | 28.2 | 74.8 | 11.79 | 28.3 | 75.7 | 11.8  | 28.4 | 77.3 | 11.9  | 28.5 | 78.5 | 11.9  | 28.6 |  |  |  |
|                 |                        | 60   | 59.0                         | 8.31 | 25.4 | 70.3 | 11.1  | 26.5 | 74.0 | 11.6  | 26.8 | 75.1 | 11.7  | 26.9 | 76.1 | 11.7  | 27.0 | 77.7 | 11.8  | 27.1 | 78.9 | 11.8  | 27.2 |  |  |  |
|                 |                        | 120  | 59.0                         | 7.89 | 23.3 | 70.3 | 10.5  | 24.0 | 75.0 | 11.3  | 24.3 | 76.0 | 11.4  | 24.4 | 77.0 | 11.4  | 24.4 | 78.7 | 11.5  | 24.5 | 80.0 | 11.5  | 24.6 |  |  |  |
|                 | 25                     | 50   | 59.0                         | 9.99 | 31.6 | 69.2 | 12.9  | 32.8 | 71.5 | 13.0  | 33.1 | 72.5 | 13.1  | 33.2 | 73.4 | 13.2  | 33.3 | 74.8 | 13.2  | 33.4 | 75.9 | 13.3  | 33.5 |  |  |  |
|                 |                        | 60   | 59.0                         | 9.80 | 30.5 | 69.5 | 12.8  | 31.6 | 71.9 | 12.9  | 31.8 | 72.9 | 13.0  | 31.8 | 73.8 | 13.0  | 31.9 | 75.2 | 13.1  | 32.0 | 76.3 | 13.1  | 32.1 |  |  |  |
|                 |                        | 120  | 59.0                         | 9.30 | 28.4 | 70.3 | 12.4  | 29.1 | 72.8 | 12.6  | 29.2 | 73.8 | 12.6  | 29.3 | 74.7 | 12.7  | 29.3 | 76.2 | 12.7  | 29.4 | 77.3 | 12.8  | 29.5 |  |  |  |
| 30              | 50                     | 59.0   | 11.12                        | 36.8 | 66.8 | 14.2 | 37.7  | 68.9 | 14.4 | 38.0  | 69.8 | 14.4 | 38.1  | 70.6 | 14.5 | 38.1  | 71.9 | 14.5 | 38.3  | 72.7 | 14.6 | 38.3  |      |  |  |  |
|                 | 60                     | 59.0   | 11.6                         | 35.6 | 67.1 | 14.1 | 36.5  | 69.2 | 14.2 | 36.6  | 70.2 | 14.3 | 36.7  | 71.0 | 14.3 | 36.8  | 72.3 | 14.4 | 36.9  | 73.1 | 14.4 | 37.0  |      |  |  |  |
|                 | 120                    | 59.0   | 11.0                         | 33.5 | 67.9 | 13.7 | 34.1  | 70.1 | 13.8 | 34.2  | 71.1 | 13.9 | 34.2  | 71.9 | 13.9 | 34.3  | 73.3 | 14.0 | 34.3  | 74.2 | 14.0 | 34.4  |      |  |  |  |
| 35              | 50                     | 59.0   | 10.8                         | 32.8 | 68.2 | 13.6 | 33.3  | 70.4 | 13.7 | 33.4  | 71.4 | 13.8 | 33.4  | 72.3 | 13.8 | 33.4  | 73.6 | 13.9 | 33.5  | 74.6 | 13.9 | 33.5  |      |  |  |  |
|                 | 60                     | 59.0   | 14.1                         | 42.0 | 63.9 | 15.6 | 42.6  | 65.8 | 15.7 | 42.8  | 66.7 | 15.8 | 42.9  | 67.4 | 15.8 | 42.9  | 68.4 | 15.8 | 43.1  | 69.0 | 15.8 | 43.1  |      |  |  |  |
|                 | 120                    | 59.0   | 12.9                         | 37.9 | 65.2 | 14.8 | 38.2  | 67.3 | 15.0 | 38.3  | 68.2 | 15.0 | 38.3  | 68.9 | 15.1 | 38.3  | 70.1 | 15.1 | 38.4  | 70.8 | 15.1 | 38.4  |      |  |  |  |
| 40              | 50                     | 47.9   | 11.5                         | 45.7 | 49.4 | 11.6 | 45.8  | 50.2 | 11.6 | 45.9  | 50.3 | 11.6 | 45.9  | 50.4 | 11.5 | 45.9  | 49.9 | 11.4 | 45.9  | 48.8 | 11.2 | 45.7  |      |  |  |  |
|                 | 60                     | 50.4   | 12.4                         | 45.0 | 52.1 | 12.5 | 45.1  | 53.2 | 12.5 | 45.2  | 53.5 | 12.5 | 45.3  | 53.7 | 12.5 | 45.3  | 53.5 | 12.4 | 45.3  | 52.8 | 12.3 | 45.2  |      |  |  |  |
|                 | 120                    | 57.8   | 13.6                         | 42.8 | 60.0 | 13.8 | 42.9  | 61.8 | 13.9 | 43.0  | 62.4 | 13.9 | 43.0  | 63.0 | 14.0 | 43.1  | 63.7 | 14.0 | 43.1  | 63.9 | 13.9 | 43.1  |      |  |  |  |
| 45              | 50                     | 33.5   | 7.24                         | 48.9 | 33.2 | 7.13 | 48.9  | 31.8 | 6.93 | 48.7  | 30.8 | 6.79 | 48.6  | 29.5 | 6.62 | 48.5  | 26.2 | 6.21 | 48.1  | 21.9 | 5.71 | 47.6  |      |  |  |  |
|                 | 60                     | 36.8   | 7.99                         | 48.6 | 36.9 | 7.93 | 48.6  | 36.2 | 7.79 | 48.5  | 35.5 | 7.69 | 48.4  | 34.6 | 7.56 | 48.4  | 32.1 | 7.24 | 48.1  | 28.7 | 6.82 | 47.8  |      |  |  |  |
|                 | 120                    | 50.3   | 12.1                         | 47.5 | 52.0 | 12.2 | 47.6  | 53.0 | 12.2 | 47.6  | 53.3 | 12.2 | 47.6  | 53.5 | 12.2 | 47.6  | 53.4 | 12.1 | 47.6  | 52.6 | 12.0 | 47.6  |      |  |  |  |
| 120             | 10                     | 50   | 54.4                         | 6.94 | 15.9 | 64.9 | 9.19  | 17.1 | 75.4 | 11.01 | 18.3 | 76.6 | 11.07 | 18.4 | 77.7 | 11.12 | 18.5 | 79.6 | 11.20 | 18.7 | 81.1 | 11.26 | 18.8 |  |  |  |
|                 |                        | 60   | 54.4                         | 6.81 | 14.9 | 64.9 | 9.02  | 15.9 | 75.4 | 10.88 | 16.9 | 77.0 | 10.96 | 17.0 | 78.0 | 11.01 | 17.1 | 79.9 | 11.09 | 17.2 | 81.5 | 11.15 | 17.4 |  |  |  |
|                 |                        | 120  | 54.4                         | 6.47 | 13.0 | 64.9 | 8.56  | 13.7 | 75.4 | 10.53 | 14.3 | 77.9 | 10.66 | 14.4 | 79.0 | 10.71 | 14.5 | 81.0 | 10.79 | 14.6 | 82.6 | 10.85 | 14.7 |  |  |  |
|                 | 15                     | 50   | 54.4                         | 7.18 | 20.9 | 64.9 | 9.52  | 22.1 | 74.1 | 11.3  | 23.2 | 75.3 | 11.4  | 23.3 | 76.3 | 11.4  | 23.4 | 78.1 | 11.5  | 23.6 | 79.6 | 11.6  | 23.7 |  |  |  |
|                 |                        | 60   | 54.4                         | 7.05 | 19.9 | 64.9 | 9.34  | 20.9 | 74.5 | 11.2  | 21.8 | 75.6 | 11.3  | 21.9 | 76.6 | 11.3  | 22.0 | 78.5 | 11.4  | 22.2 | 80.0 | 11.5  | 22.3 |  |  |  |
|                 |                        | 120  | 54.4                         | 6.70 | 18.0 | 64.9 | 8.86  | 18.7 | 75.4 | 10.92 | 19.3 | 76.5 | 11.0  | 19.4 | 77.6 | 11.0  | 19.4 | 79.5 | 11.1  | 19.5 | 81.0 | 11.2  | 19.6 |  |  |  |
|                 | 20                     | 50   | 54.4                         | 7.46 | 25.9 | 64.9 | 9.89  | 27.1 | 72.4 | 11.7  | 28.0 | 73.5 | 11.7  | 28.1 | 74.5 | 11.8  | 28.2 | 76.2 | 11.9  | 28.4 | 77.6 | 11.9  | 28.6 |  |  |  |
|                 |                        | 60   | 54.4                         | 7.32 | 24.9 | 64.9 | 9.70  | 25.9 | 72.8 | 11.6  | 26.7 | 73.8 | 11.6  | 26.8 | 74.8 | 11.7  | 26.9 | 76.2 | 11.7  | 27.0 | 78.0 | 11.8  | 27.1 |  |  |  |
|                 |                        | 120  | 54.4                         | 6.96 | 23.1 | 64.9 | 9.21  | 23.7 | 73.7 | 11.2  | 24.2 | 74.8 | 11.3  | 24.3 | 75.8 | 11.3  | 24.3 | 77.6 | 11.4  | 24.4 | 79.0 | 11.5  | 24.5 |  |  |  |
|                 | 25                     | 50   | 54.4                         | 8.29 | 31.0 | 64.9 | 11.7  | 32.3 | 70.3 | 13.0  | 33.0 | 71.3 | 13.0  | 33.1 | 72.3 | 13.1  | 33.2 | 73.9 | 13.2  | 33.3 | 75.1 | 13.2  | 33.4 |  |  |  |
|                 |                        | 60   | 54.4                         | 8.62 | 30.0 | 64.9 | 11.5  | 31.1 | 70.6 | 12.8  | 31.6 | 71.7 | 12.9  | 31.7 | 72.6 | 13.0  | 31.8 | 74.2 | 13.0  | 32.0 | 75.5 | 13.1  | 32.1 |  |  |  |
|                 |                        | 120  | 54.4                         | 8.19 | 28.1 | 64.9 | 10.9  | 28.8 | 71.5 | 12.5  | 29.2 | 72.6 | 12.6  | 29.2 | 73.5 | 12.6  | 29.3 | 75.2 | 12.7  | 29.4 | 76.5 | 12.8  | 29.4 |  |  |  |
| 30              | 50                     | 54.4   | 8.03                         | 27.5 | 64.9 | 10.7 | 28.0  | 71.8 | 12.4 | 28.4  | 72.9 | 12.4 | 28.4  | 73.9 | 12.5 | 28.4  | 75.6 | 12.6 | 28.5  | 76.9 | 12.6 | 28.6  |      |  |  |  |
|                 | 60                     | 54.4   | 10.4                         | 36.2 | 64.9 | 13.9 | 37.5  | 67.8 | 14.3 | 37.8  | 68.7 | 14.4 | 37.9  | 69.6 | 14.4 | 38.0  | 71.1 | 14.5 | 38.2  | 72.1 | 14.5 | 38.3  |      |  |  |  |
|                 | 120                    | 54.4   | 9.50                         | 32.5 | 64.9 | 12.6 | 33.1  | 69.3 | 13.6 | 33.3  | 70.3 | 13.7 | 33.3  | 71.2 | 13.7 | 33.4  | 72.7 | 13.8 | 33.4  | 73.9 | 13.9 | 33.5  |      |  |  |  |
| 35              | 50                     | 54.4   | 12.4                         | 41.4 | 62.7 | 15.5 | 42.5  | 64.8 | 15.6 | 42.7  | 65.7 | 15.7 | 42.8  | 66.5 | 15.7 | 42.9  | 67.7 | 15.8 | 43.0  | 68.6 | 15.9 | 43.1  |      |  |  |  |
|                 | 60                     | 54.4   | 12.2                         | 40.3 | 63.0 | 15.3 | 41.2  | 65.1 | 15.5 | 41.4  | 66.0 | 15.5 | 41.5  | 66.8 | 15.6 | 41.6  | 68.1 | 15.7 | 41.7  | 68.9 | 15.7 | 41.7  |      |  |  |  |
|                 | 120                    | 54.4   | 11.6                         | 38.3 | 63.8 | 14.9 | 38.9  | 65.9 | 15.0 | 39.0  | 66.8 | 15.1 | 39.1  | 67.6 | 15.2 | 39.1  | 69.0 | 15.2 | 39.2  | 69.9 | 15.3 | 39.2  |      |  |  |  |
| 40              | 50                     | 47.1   | 11.4                         | 45.6 | 48.7 | 11.5 | 45.8  | 49.8 | 11.6 | 45.9  | 50.1 | 11.6 | 45.9  | 50.3 | 11.6 | 45.9  | 50.3 | 11.5 | 45.9  | 49.7 | 11.4 | 45.8  |      |  |  |  |
|                 | 60                     | 49.6   | 12.3                         | 44.9 | 51.4 | 12.4 | 45.1  | 52.7 | 12.5 | 45.2  | 53.1 | 12.5 | 45.2  | 53.4 | 12.6 | 45.3  | 53.7 | 12.5 | 45.3  | 53.4 | 12.4 | 45.2  |      |  |  |  |
|                 | 120                    | 54.4   | 12.9                         | 43.3 | 58.5 | 14.0 | 43.6  | 60.3 | 14.1 | 43.7  | 61.1 | 14.1 | 43.7  | 61.7 | 14.2 | 43.8  | 62.6 | 14.2 | 43.8  | 63.1 | 14.2 | 43.8  |      |  |  |  |
| 45              | 50                     | 33.4   | 7.25                         | 48.9 | 33.5 | 7.19 | 48.9  | 32.7 | 7.05 | 48.8  | 32.0 | 6.95 | 48.7  | 31.1 | 6.83 | 48.6  | 28.6 | 6.51 | 48.4  | 25.4 | 6.11 | 48.0  |      |  |  |  |
|                 | 60                     | 36.5   | 7.98                         | 48.5 | 37.0 | 7.97 | 48.6  | 36.7 | 7.88 | 48.6  | 36.3 | 7.81 | 48.5  | 35.7 | 7.72 | 48.5  | 33.9 | 7.47 | 48.3  | 31.4 | 7.15 | 48.1  |      |  |  |  |
|                 | 120                    | 49.4   | 12.0                         | 47.4 | 51.2 | 12.1 | 47.5  | 52.5 | 12.2 | 47.6  | 53.0 | 12.2 | 47.6  | 53.3 | 12.2 | 47.6  | 53.5 | 12.2 | 47.6  | 53.2 | 12.1 | 47.6  |      |  |  |  |
| 110             | 10                     | 50   | 49.9                         | 6.07 | 15.3 | 59.5 | 7.99  | 16.4 | 69.1 | 10.19 | 17.6 | 73.9 | 10.93 | 18.1 | 76.2 | 11.05 | 18.3 | 78.2 | 11.14 | 18.5 | 79.8 | 11.21 | 18.7 |  |  |  |
|                 |                        | 60   | 49.9                         | 5.95 | 14.4 | 59.5 | 7.84  | 15.4 | 69.1 | 9.99  | 16.3 | 73.9 | 10.80 | 16.7 | 76.6 | 10.94 | 17.0 | 78.5 | 11.03 | 17.1 | 80.2 | 11.10 | 17.3 |  |  |  |
|                 |                        | 120  | 49.9                         | 5.66 | 12.8 | 59.5 | 7.44  | 13.3 | 69.1 | 9.48  | 13.9 | 73.9 | 10.45 | 14.2 | 77.5 | 10.64 | 14.4 | 79.5 | 10.73 | 14.5 | 81.2 | 10.80 | 14.6 |  |  |  |
|                 | 15                     | 50   | 49.9                         | 6.   |      |      |       |      |      |       |      |      |       |      |      |       |      |      |       |      |      |       |      |  |  |  |

# 4 Capacity tables

## 4 - 2 Cooling capacity tables

| RWEYQ24PY1      |                        | TC: Total Capacity: kW ; PI: Power Input: kW (compressor + outdoor fan motor) ; OWT: Outlet Water Temperatur: °C |                              |      |      |      |      |      |      |      |      |      |       |      |      |       |      |      |       |      |      |       |      |  |  |  |
|-----------------|------------------------|--|------------------------------|------|------|------|------|------|------|------|------|------|-------|------|------|-------|------|------|-------|------|------|-------|------|--|--|--|
| Combination (%) | Inlet Water Temp. (°C) | Water Volume (note2) L/min   | Indoor air temperature: °CWB |      |      |      |      |      |      |      |      |      |       |      |      |       |      |      |       |      |      |       |      |  |  |  |
|                 |                        |  | 14.0                         |      |      | 16.0 |      |      | 18.0 |      |      | 19.0 |       |      | 20.0 |       |      | 22.0 |       |      | 24.0 |       |      |  |  |  |
|                 |                        |  | TC                           | PI   | OWT  | TC   | PI   | OWT  | TC   | PI   | OWT  | TC   | PI    | OWT  | TC   | PI    | OWT  | TC   | PI    | OWT  | TC   | PI    | OWT  |  |  |  |
| 100             | 10                     | 50   | 45.4                         | 5.25 | 14.0 | 54.1 | 6.87 | 15.8 | 6.28 | 8.72 | 16.8 | 6.72 | 9.73  | 17.4 | 71.6 | 10.79 | 17.9 | 76.6 | 11.07 | 18.4 | 78.3 | 11.15 | 18.5 |  |  |  |
|                 |                        | 60   | 45.4                         | 5.16 | 14.0 | 54.1 | 6.74 | 14.8 | 6.28 | 8.55 | 15.7 | 6.72 | 9.54  | 16.1 | 71.6 | 10.58 | 16.5 | 76.9 | 10.96 | 17.0 | 78.6 | 11.04 | 17.1 |  |  |  |
|                 |                        | 96   | 45.4                         | 4.91 | 12.5 | 54.1 | 6.41 | 13.0 | 6.28 | 8.12 | 13.5 | 6.72 | 9.05  | 13.8 | 71.6 | 10.04 | 14.1 | 77.9 | 10.66 | 14.4 | 79.6 | 10.74 | 14.5 |  |  |  |
|                 |                        | 120  | 45.4                         | 4.82 | 12.0 | 54.1 | 6.29 | 12.4 | 6.28 | 7.96 | 12.8 | 6.72 | 8.88  | 13.0 | 71.6 | 9.84  | 13.2 | 78.2 | 10.55 | 13.5 | 80.0 | 10.62 | 13.6 |  |  |  |
|                 | 15                     | 50   | 45.4                         | 5.44 | 19.9 | 54.1 | 7.11 | 20.8 | 6.28 | 9.03 | 21.9 | 6.72 | 10.07 | 22.4 | 71.6 | 11.17 | 22.9 | 75.2 | 11.4  | 23.3 | 76.9 | 11.5  | 23.4 |  |  |  |
|                 |                        | 60   | 45.4                         | 5.34 | 19.0 | 54.1 | 6.98 | 19.9 | 6.28 | 8.86 | 20.7 | 6.72 | 9.88  | 21.1 | 71.6 | 10.96 | 21.6 | 75.5 | 11.3  | 21.9 | 77.2 | 11.4  | 22.1 |  |  |  |
|                 |                        | 96   | 45.4                         | 5.08 | 17.5 | 54.1 | 6.63 | 18.0 | 6.28 | 8.41 | 18.5 | 6.72 | 9.37  | 18.8 | 71.6 | 10.40 | 19.1 | 76.5 | 11.0  | 19.4 | 78.2 | 11.1  | 19.4 |  |  |  |
|                 |                        | 120  | 45.4                         | 4.98 | 17.0 | 54.1 | 6.51 | 17.4 | 6.28 | 8.24 | 17.8 | 6.72 | 9.19  | 18.0 | 71.6 | 10.19 | 18.3 | 76.8 | 10.86 | 18.5 | 78.6 | 10.9  | 18.6 |  |  |  |
|                 | 20                     | 50   | 45.4                         | 5.65 | 24.9 | 54.1 | 7.39 | 25.9 | 6.28 | 9.38 | 26.9 | 6.72 | 10.5  | 27.4 | 71.6 | 11.6  | 28.0 | 73.4 | 11.7  | 28.1 | 75.0 | 11.8  | 28.3 |  |  |  |
|                 |                        | 60   | 45.4                         | 5.54 | 24.1 | 54.1 | 7.25 | 24.9 | 6.28 | 9.20 | 25.7 | 6.72 | 10.3  | 26.2 | 71.6 | 11.4  | 26.6 | 73.8 | 11.6  | 26.8 | 75.4 | 11.7  | 26.9 |  |  |  |
|                 |                        | 96   | 45.4                         | 5.27 | 22.5 | 54.1 | 6.89 | 23.0 | 6.28 | 8.74 | 23.6 | 6.72 | 9.75  | 23.8 | 71.6 | 10.8  | 24.1 | 74.7 | 11.3  | 24.3 | 76.4 | 11.4  | 24.4 |  |  |  |
|                 |                        | 120  | 45.4                         | 5.17 | 22.0 | 54.1 | 6.76 | 22.4 | 6.28 | 8.57 | 22.8 | 6.72 | 9.55  | 23.1 | 71.6 | 10.6  | 23.3 | 75.0 | 11.2  | 23.4 | 76.7 | 11.2  | 23.5 |  |  |  |
| 25              | 50                     | 45.4   | 6.63                         | 30.0 | 54.1 | 8.70 | 31.0 | 6.28 | 11.1 | 32.1 | 6.72 | 12.4 | 32.6  | 69.5 | 12.9 | 32.9  | 71.3 | 13.0 | 33.1  | 72.8 | 13.1 | 33.2  |      |  |  |  |
|                 | 60                     | 45.4   | 6.51                         | 29.1 | 54.1 | 8.54 | 30.0 | 6.28 | 10.9 | 30.9 | 6.72 | 12.1 | 31.3  | 69.8 | 12.8 | 31.6  | 71.6 | 12.9 | 31.7  | 73.1 | 13.0 | 31.9  |      |  |  |  |
|                 | 96                     | 45.4   | 6.19                         | 27.6 | 54.1 | 8.11 | 28.1 | 6.28 | 10.3 | 28.6 | 6.72 | 11.5 | 28.9  | 70.7 | 12.4 | 29.1  | 72.5 | 12.6 | 29.2  | 74.1 | 12.6 | 29.3  |      |  |  |  |
|                 | 120                    | 45.4   | 6.07                         | 27.0 | 54.1 | 7.96 | 27.5 | 6.28 | 10.1 | 27.9 | 6.72 | 11.3 | 28.1  | 71.0 | 12.3 | 28.3  | 72.8 | 12.4 | 28.4  | 74.4 | 12.5 | 28.5  |      |  |  |  |
| 30              | 50                     | 45.4   | 7.82                         | 35.1 | 54.1 | 10.3 | 36.2 | 6.28 | 13.1 | 37.3 | 6.72 | 14.2 | 37.7  | 67.0 | 14.2 | 37.8  | 68.7 | 14.4 | 37.9  | 70.1 | 14.4 | 38.1  |      |  |  |  |
|                 | 60                     | 45.4   | 7.67                         | 34.2 | 54.1 | 10.1 | 35.1 | 6.28 | 12.9 | 36.0 | 6.72 | 14.0 | 36.4  | 67.3 | 14.1 | 36.5  | 69.0 | 14.2 | 36.6  | 70.4 | 14.3 | 36.7  |      |  |  |  |
|                 | 96                     | 45.4   | 7.29                         | 32.6 | 54.1 | 9.59 | 33.2 | 6.28 | 12.2 | 33.7 | 6.72 | 13.7 | 34.0  | 68.2 | 13.7 | 34.1  | 69.9 | 13.8 | 34.2  | 71.3 | 13.9 | 34.2  |      |  |  |  |
|                 | 120                    | 45.4   | 7.16                         | 32.1 | 54.1 | 9.41 | 32.5 | 6.28 | 12.0 | 33.0 | 6.72 | 13.4 | 33.2  | 68.5 | 13.6 | 33.3  | 70.2 | 13.7 | 33.3  | 71.7 | 13.8 | 33.4  |      |  |  |  |
| 35              | 50                     | 45.4   | 9.29                         | 40.2 | 54.1 | 12.3 | 41.3 | 6.23 | 15.4 | 42.4 | 6.32 | 15.5 | 42.5  | 64.1 | 15.6 | 42.6  | 65.6 | 15.7 | 42.8  | 66.9 | 15.8 | 42.9  |      |  |  |  |
|                 | 60                     | 45.4   | 9.12                         | 39.3 | 54.1 | 12.0 | 40.3 | 6.26 | 15.3 | 41.2 | 6.35 | 15.3 | 41.3  | 64.4 | 15.4 | 41.4  | 65.9 | 15.5 | 41.5  | 67.2 | 15.6 | 41.6  |      |  |  |  |
|                 | 96                     | 45.4   | 8.66                         | 37.7 | 54.1 | 11.4 | 38.3 | 6.28 | 14.6 | 38.9 | 6.43 | 14.9 | 38.9  | 65.2 | 15.0 | 39.0  | 66.8 | 15.1 | 39.1  | 68.1 | 15.2 | 39.1  |      |  |  |  |
|                 | 120                    | 45.4   | 8.50                         | 37.1 | 54.1 | 11.2 | 37.6 | 6.28 | 14.3 | 38.1 | 6.46 | 14.8 | 38.2  | 65.5 | 14.8 | 38.2  | 67.1 | 15.0 | 38.3  | 68.4 | 15.0 | 38.3  |      |  |  |  |
| 40              | 50                     | 45.3   | 11.3                         | 45.4 | 47.1 | 11.4 | 45.6 | 48.5 | 11.5 | 45.7 | 49.0 | 11.5 | 45.8  | 49.5 | 11.6 | 45.8  | 50.1 | 11.6 | 45.9  | 50.4 | 11.6 | 45.9  |      |  |  |  |
|                 | 60                     | 45.4   | 11.0                         | 44.5 | 49.5 | 12.3 | 44.9 | 51.1 | 12.4 | 45.1 | 51.7 | 12.5 | 45.1  | 52.3 | 12.5 | 45.2  | 53.1 | 12.5 | 45.2  | 53.6 | 12.5 | 45.3  |      |  |  |  |
|                 | 96                     | 45.4   | 9.58                         | 42.7 | 54.1 | 12.7 | 43.3 | 58.1 | 13.9 | 43.6 | 59.0 | 14.0 | 43.6  | 59.7 | 14.0 | 43.7  | 61.0 | 14.1 | 43.7  | 62.0 | 14.2 | 43.8  |      |  |  |  |
|                 | 120                    | 45.4   | 9.26                         | 42.2 | 54.1 | 12.3 | 42.6 | 58.6 | 13.7 | 42.9 | 59.5 | 13.8 | 42.9  | 60.2 | 13.8 | 42.9  | 61.6 | 13.9 | 43.0  | 62.6 | 14.0 | 43.0  |      |  |  |  |
| 45              | 50                     | 32.7   | 7.23                         | 48.8 | 33.4 | 7.25 | 48.9 | 33.5 | 7.21 | 48.9 | 33.4 | 7.17 | 48.9  | 33.1 | 7.11 | 48.8  | 32.0 | 6.96 | 48.7  | 30.4 | 6.74 | 48.6  |      |  |  |  |
|                 | 60                     | 35.5   | 7.93                         | 48.5 | 36.5 | 7.98 | 48.5 | 36.9 | 7.98 | 48.6 | 37.0 | 7.96 | 48.6  | 36.9 | 7.92 | 48.6  | 36.3 | 7.81 | 48.5  | 35.2 | 7.65 | 48.4  |      |  |  |  |
|                 | 96                     | 43.5   | 10.3                         | 47.7 | 45.1 | 10.4 | 47.8 | 46.4 | 10.5 | 47.8 | 46.8 | 10.5 | 47.9  | 47.2 | 10.6 | 47.9  | 47.7 | 10.6 | 47.9  | 47.7 | 10.5 | 47.9  |      |  |  |  |
|                 | 120                    | 45.4   | 10.8                         | 47.2 | 49.4 | 12.0 | 47.4 | 50.9 | 12.1 | 47.5 | 51.6 | 12.1 | 47.5  | 52.1 | 12.2 | 47.6  | 52.9 | 12.2 | 47.6  | 53.4 | 12.2 | 47.6  |      |  |  |  |
| 90              | 10                     | 50   | 40.8                         | 4.50 | 14.3 | 48.7 | 5.84 | 15.2 | 5.69 | 7.37 | 16.1 | 6.05 | 8.20  | 16.6 | 64.4 | 9.08  | 17.0 | 72.3 | 10.83 | 17.9 | 76.5 | 11.07 | 18.4 |  |  |  |
|                 |                        | 60   | 40.8                         | 4.42 | 13.6 | 48.7 | 5.74 | 14.3 | 5.65 | 7.23 | 15.1 | 6.05 | 8.04  | 15.5 | 64.4 | 8.90  | 15.8 | 72.3 | 10.71 | 16.6 | 76.9 | 10.96 | 17.0 |  |  |  |
|                 |                        | 96   | 40.8                         | 4.21 | 12.2 | 48.7 | 5.45 | 12.7 | 5.65 | 6.87 | 13.2 | 6.05 | 7.64  | 13.4 | 64.4 | 8.45  | 13.6 | 72.3 | 10.20 | 14.1 | 77.8 | 10.66 | 14.4 |  |  |  |
|                 |                        | 120  | 40.8                         | 4.13 | 11.8 | 48.7 | 5.35 | 12.2 | 5.65 | 6.74 | 12.5 | 6.05 | 7.49  | 12.7 | 64.4 | 8.29  | 12.9 | 72.3 | 10.00 | 13.3 | 78.2 | 10.55 | 13.5 |  |  |  |
|                 | 15                     | 50   | 40.8                         | 4.66 | 19.3 | 48.7 | 6.05 | 20.2 | 5.65 | 7.63 | 21.1 | 6.05 | 8.49  | 21.6 | 64.4 | 9.40  | 22.1 | 72.3 | 11.2  | 23.0 | 75.2 | 11.4  | 23.3 |  |  |  |
|                 |                        | 60   | 40.8                         | 4.58 | 18.6 | 48.7 | 5.94 | 19.4 | 5.65 | 7.48 | 20.1 | 6.05 | 8.33  | 20.5 | 64.4 | 9.22  | 20.9 | 72.3 | 11.09 | 21.6 | 75.5 | 11.3  | 21.9 |  |  |  |
|                 |                        | 96   | 40.8                         | 4.36 | 17.2 | 48.7 | 5.65 | 17.7 | 5.65 | 7.11 | 18.2 | 6.05 | 7.91  | 18.4 | 64.4 | 8.75  | 18.6 | 72.3 | 10.57 | 19.1 | 76.4 | 11.0  | 19.4 |  |  |  |
|                 |                        | 120  | 40.8                         | 4.28 | 16.8 | 48.7 | 5.54 | 17.2 | 5.65 | 6.97 | 17.5 | 6.05 | 7.75  | 17.7 | 64.4 | 8.58  | 17.9 | 72.3 | 10.36 | 18.3 | 76.8 | 10.86 | 18.5 |  |  |  |
|                 | 20                     | 50   | 40.8                         | 4.84 | 24.4 | 48.7 | 6.28 | 25.3 | 5.65 | 7.93 | 26.2 | 6.05 | 8.82  | 26.6 | 64.4 | 9.77  | 27.1 | 71.7 | 11.6  | 28.0 | 73.4 | 11.7  | 28.1 |  |  |  |
|                 |                        | 60   | 40.8                         | 4.75 | 23.6 | 48.7 | 6.17 | 24.4 | 5.65 | 7.78 | 25.1 | 6.05 | 8.66  | 25.5 | 64.4 | 9.58  | 25.9 | 72.1 | 11.5  | 26.7 | 73.7 | 11.6  | 26.8 |  |  |  |
|                 |                        | 96   | 40.8                         | 4.52 | 22.3 | 48.7 | 5.86 | 22.7 | 5.65 | 7.39 | 23.2 | 6.05 | 8.22  | 23.4 | 64.4 | 9.10  | 23.7 | 72.3 | 11.0  | 24.1 | 74.7 | 11.3  | 24.3 |  |  |  |
|                 |                        | 120  | 40.8                         | 4.44 | 21.8 | 48.7 | 5.75 | 22.2 | 5.65 | 7.25 | 22.5 | 6.05 | 8.06  | 22.7 | 64.4 | 8.92  | 22.9 | 72.3 | 10.8  | 23.3 | 75.0 | 11.2  | 23.4 |  |  |  |
| 25              | 50                     | 40.8   | 5.67                         | 29.4 | 48.7 | 7.39 | 30.4 | 5.65 | 9.34 | 31.3 | 6.05 | 10.4 | 31.8  | 64.4 | 11.5 | 32.3  | 69.7 | 12.9 | 32.9  | 71.2 | 13.0 | 33.1  |      |  |  |  |
|                 | 60                     | 40.8   | 5.57                         | 28.7 | 48.7 | 7.25 | 29.5 | 5.65 | 9.16 | 30.2 | 6.05 | 10.2 | 30.6  | 64.4 | 11.3 | 31.0  | 70.0 | 12.8 | 31.6  | 71.6 | 12.9 | 31.7  |      |  |  |  |
|                 | 96                     | 40.8   | 5.30                         | 27.3 | 48.7 | 6.89 | 27.8 | 5.65 | 8.70 | 28.2 | 6.05 | 9.69 | 28.5  | 64.4 | 10.7 | 28.7  | 70.8 | 12.5 | 29.1  | 72.5 | 12.6 | 29.2  |      |  |  |  |
|                 | 120                    | 40.8   | 5.20                         | 26.8 | 48.7 | 6.76 | 27.2 | 5.65 | 8.53 | 27.6 | 6.05 | 9.50 | 27.8  | 64.4 | 10.5 | 28.0  | 71.2 | 12.3 | 28.3  | 72.8 | 12.4 | 28.4  |      |  |  |  |
| 30              | 50                     | 40.8   | 6.67                         | 34.5 | 48.7 | 8.72 | 35.5 | 5.65 | 11.1 | 36.5 | 6.05 | 12.3 | 37.0  | 64.4 | 13.7 | 37.5  | 67.2 | 14.3 | 37.8  | 68.6 | 14.4 | 37.9  |      |  |  |  |
|                 | 60                     | 40.8   | 6.55                         | 33.8 | 48.7 | 8.56 | 34.6 | 5.65 | 10.8 | 35.4 | 6.05 | 12.1 | 35.8  | 64.4 | 13.4 | 36.2  | 67.5 | 14.1 | 36.5  | 69.0 | 14.2 | 36.6  |      |  |  |  |
|                 | 96                     | 40.8   | 6.23                         | 32.3 | 48.7 | 8.13 | 32.8 | 5.65 | 10.3 | 33.3 | 6.05 | 11.5 | 33.6  | 64.4 | 12.7 | 33.8  | 68.3 | 13.7 | 34.1  | 69.8 | 13.8 | 34.2  |      |  |  |  |
|                 | 120                    | 40.8   | 6.11                         | 31.9 | 48.7 | 7.98 | 32.3 | 5.65 | 10.1 | 32.7 | 6.05 | 11.3 |       |      |      |       |      |      |       |      |      |       |      |  |  |  |

# 4 Capacity tables

## 4 - 2 Cooling capacity tables

| RWEYQ24PY1      |                        |                            | TC: Total Capacity: kW ; PI: Power Input: kW (compressor + outdoor fan motor) ; OWT: Outlet Water Temperatur: °C |      |      |      |      |      |      |      |      |      |      |      |      |      |      |      |      |      |      |      |      |  |  |  |
|-----------------|------------------------|----------------------------|--|------|------|------|------|------|------|------|------|------|------|------|------|------|------|------|------|------|------|------|------|--|--|--|
| Combination (%) | Inlet Water Temp. (°C) | Water Volume (note2) L/min | Indoor air temperature: °CWB   |      |      |      |      |      |      |      |      |      |      |      |      |      |      |      |      |      |      |      |      |  |  |  |
|                 |                        |                            | 14.0   |      |      | 16.0 |      |      | 18.0 |      |      | 19.0 |      |      | 21.0 |      |      | 22.0 |      |      | 24.0 |      |      |  |  |  |
|                 |                        |                            | TC   | PI   | OWT  | TC   | PI   | OWT  | TC   | PI   | OWT  | TC   | PI   | OWT  | TC   | PI   | OWT  | TC   | PI   | OWT  | TC   | PI   | OWT  |  |  |  |
| 70              | 10                     | 50                         | 31.7   | 3.19 | 13.3 | 37.9 | 4.05 | 14.0 | 44.0 | 5.02 | 14.7 | 47.0 | 5.55 | 15.0 | 50.1 | 6.11 | 15.4 | 56.2 | 7.30 | 16.1 | 62.3 | 8.61 | 16.8 |  |  |  |
|                 |                        | 60                         | 31.7   | 3.13 | 12.8 | 37.9 | 3.98 | 13.3 | 44.0 | 4.93 | 13.9 | 47.0 | 5.45 | 14.2 | 50.1 | 5.99 | 14.5 | 56.2 | 7.16 | 15.0 | 62.3 | 8.44 | 15.6 |  |  |  |
|                 |                        | 96                         | 31.7   | 2.99 | 11.7 | 37.9 | 3.79 | 12.1 | 44.0 | 4.69 | 12.4 | 47.0 | 5.18 | 12.6 | 50.1 | 5.70 | 12.8 | 56.2 | 6.81 | 13.1 | 62.3 | 8.02 | 13.5 |  |  |  |
|                 | 15                     | 50                         | 31.7   | 3.30 | 18.3 | 37.9 | 4.19 | 19.0 | 44.0 | 5.20 | 19.7 | 47.0 | 5.74 | 20.0 | 50.1 | 6.32 | 20.4 | 56.2 | 7.56 | 21.1 | 62.3 | 8.91 | 21.8 |  |  |  |
|                 |                        | 60                         | 31.7   | 3.24 | 17.8 | 37.9 | 4.11 | 18.3 | 44.0 | 5.10 | 18.9 | 47.0 | 5.64 | 19.2 | 50.1 | 6.20 | 19.5 | 56.2 | 7.42 | 20.1 | 62.3 | 8.74 | 20.7 |  |  |  |
|                 |                        | 96                         | 31.7   | 3.09 | 16.7 | 37.9 | 3.92 | 17.1 | 44.0 | 4.85 | 17.4 | 47.0 | 5.36 | 17.6 | 50.1 | 5.90 | 17.8 | 56.2 | 7.04 | 18.1 | 62.3 | 8.30 | 18.5 |  |  |  |
|                 | 20                     | 50                         | 31.7   | 3.42 | 23.4 | 37.9 | 4.35 | 24.0 | 44.0 | 5.40 | 24.7 | 47.0 | 5.97 | 25.1 | 50.1 | 6.56 | 25.4 | 56.2 | 7.85 | 26.1 | 62.3 | 9.26 | 26.8 |  |  |  |
|                 |                        | 60                         | 31.7   | 3.36 | 22.8 | 37.9 | 4.27 | 23.4 | 44.0 | 5.30 | 23.9 | 47.0 | 5.86 | 24.2 | 50.1 | 6.44 | 24.5 | 56.2 | 7.71 | 25.1 | 62.3 | 9.09 | 25.7 |  |  |  |
|                 |                        | 96                         | 31.7   | 3.20 | 21.7 | 37.9 | 4.07 | 22.1 | 44.0 | 5.04 | 22.4 | 47.0 | 5.57 | 22.6 | 50.1 | 6.12 | 22.8 | 56.2 | 7.32 | 23.2 | 62.3 | 8.63 | 23.5 |  |  |  |
|                 | 25                     | 50                         | 31.7   | 3.15 | 21.4 | 37.9 | 3.99 | 21.7 | 44.0 | 4.95 | 21.9 | 47.0 | 5.46 | 22.1 | 50.1 | 6.01 | 22.2 | 56.2 | 7.18 | 22.5 | 62.3 | 8.46 | 22.8 |  |  |  |
|                 |                        | 60                         | 31.7   | 3.99 | 28.4 | 37.9 | 5.09 | 29.1 | 44.0 | 6.33 | 29.8 | 47.0 | 7.01 | 30.2 | 50.1 | 7.72 | 30.5 | 56.2 | 9.25 | 31.3 | 62.3 | 10.9 | 32.0 |  |  |  |
|                 |                        | 96                         | 31.7   | 3.92 | 27.8 | 37.9 | 5.00 | 28.4 | 44.0 | 6.22 | 29.0 | 47.0 | 6.88 | 29.3 | 50.1 | 7.58 | 29.6 | 56.2 | 9.08 | 30.2 | 62.3 | 10.7 | 30.8 |  |  |  |
| 30              | 50                     | 31.7                       | 3.74   | 26.8 | 37.9 | 4.76 | 27.1 | 44.0 | 5.91 | 27.5 | 47.0 | 6.54 | 27.7 | 50.1 | 7.20 | 27.9 | 56.2 | 8.62 | 28.2 | 62.3 | 10.2 | 28.6 |      |  |  |  |
|                 | 60                     | 31.7                       | 3.67   | 26.4 | 37.9 | 4.67 | 26.7 | 44.0 | 5.80 | 27.0 | 47.0 | 6.42 | 27.1 | 50.1 | 7.06 | 27.3 | 56.2 | 8.45 | 27.6 | 62.3 | 9.98 | 27.9 |      |  |  |  |
|                 | 96                     | 31.7                       | 3.62   | 26.4 | 37.9 | 4.67 | 26.7 | 44.0 | 5.80 | 27.0 | 47.0 | 6.42 | 27.1 | 50.1 | 7.06 | 27.3 | 56.2 | 8.45 | 27.6 | 62.3 | 9.98 | 27.9 |      |  |  |  |
| 35              | 50                     | 31.7                       | 4.66   | 33.5 | 37.9 | 5.98 | 34.2 | 44.0 | 7.46 | 34.9 | 47.0 | 8.27 | 35.3 | 50.1 | 9.12 | 35.7 | 56.2 | 11.0 | 36.4 | 62.3 | 13.0 | 37.2 |      |  |  |  |
|                 | 60                     | 31.7                       | 4.58   | 32.9 | 37.9 | 5.87 | 33.5 | 44.0 | 7.32 | 34.1 | 47.0 | 8.11 | 34.4 | 50.1 | 8.95 | 34.7 | 56.2 | 10.7 | 35.3 | 62.3 | 12.7 | 36.0 |      |  |  |  |
|                 | 96                     | 31.7                       | 4.37   | 31.8 | 37.9 | 5.59 | 32.2 | 44.0 | 6.96 | 32.5 | 47.0 | 7.71 | 32.7 | 50.1 | 8.50 | 32.9 | 56.2 | 10.2 | 33.3 | 62.3 | 12.1 | 33.7 |      |  |  |  |
| 40              | 50                     | 31.7                       | 4.29   | 31.4 | 37.9 | 5.48 | 31.7 | 44.0 | 6.83 | 32.0 | 47.0 | 7.57 | 32.2 | 50.1 | 8.34 | 32.3 | 56.2 | 10.0 | 32.6 | 62.3 | 11.8 | 33.0 |      |  |  |  |
|                 | 60                     | 31.7                       | 5.49   | 38.6 | 37.9 | 7.07 | 39.3 | 44.0 | 8.86 | 40.1 | 47.0 | 9.83 | 40.4 | 50.1 | 10.9 | 40.8 | 56.2 | 13.1 | 41.6 | 62.3 | 15.4 | 42.4 |      |  |  |  |
|                 | 96                     | 31.7                       | 5.40   | 38.0 | 37.9 | 6.94 | 38.6 | 44.0 | 8.69 | 39.2 | 47.0 | 9.65 | 39.5 | 50.1 | 10.7 | 39.8 | 56.2 | 12.8 | 40.5 | 62.3 | 15.2 | 41.2 |      |  |  |  |
| 45              | 50                     | 31.7                       | 5.14   | 36.8 | 37.9 | 6.60 | 37.2 | 44.0 | 8.26 | 37.6 | 47.0 | 9.17 | 37.8 | 50.1 | 10.1 | 38.0 | 56.2 | 12.2 | 38.4 | 62.3 | 14.4 | 38.8 |      |  |  |  |
|                 | 60                     | 31.7                       | 5.05   | 36.5 | 37.9 | 6.48 | 36.8 | 44.0 | 8.11 | 37.1 | 47.0 | 8.99 | 37.2 | 50.1 | 9.92 | 37.4 | 56.2 | 11.9 | 37.7 | 62.3 | 14.1 | 38.0 |      |  |  |  |
|                 | 96                     | 31.7                       | 4.81   | 35.3 | 37.9 | 6.24 | 36.2 | 44.0 | 7.83 | 36.5 | 47.0 | 8.71 | 36.8 | 50.1 | 9.64 | 37.0 | 56.2 | 11.6 | 37.4 | 62.3 | 13.8 | 37.6 |      |  |  |  |
| 60              | 10                     | 50                         | 27.2   | 2.62 | 12.9 | 32.5 | 3.28 | 13.4 | 37.7 | 4.02 | 14.0 | 40.3 | 4.43 | 14.3 | 42.9 | 4.85 | 14.6 | 48.2 | 5.75 | 15.2 | 53.4 | 6.74 | 15.8 |  |  |  |
|                 |                        | 60                         | 27.2   | 2.58 | 12.4 | 32.5 | 3.22 | 12.8 | 37.7 | 3.95 | 13.3 | 40.3 | 4.35 | 13.6 | 42.9 | 4.76 | 13.8 | 48.2 | 5.65 | 14.3 | 53.4 | 6.62 | 14.8 |  |  |  |
|                 |                        | 96                         | 27.2   | 2.46 | 11.5 | 32.5 | 3.07 | 11.8 | 37.7 | 3.76 | 12.1 | 40.3 | 4.14 | 12.2 | 42.9 | 4.53 | 12.4 | 48.2 | 5.37 | 12.7 | 53.4 | 6.29 | 13.0 |  |  |  |
|                 | 15                     | 50                         | 27.2   | 2.42 | 11.2 | 32.5 | 3.02 | 11.4 | 37.7 | 3.70 | 11.6 | 40.3 | 4.06 | 11.8 | 42.9 | 4.45 | 11.9 | 48.2 | 5.27 | 12.1 | 53.4 | 6.17 | 12.4 |  |  |  |
|                 |                        | 60                         | 27.2   | 2.71 | 17.9 | 32.5 | 3.39 | 18.4 | 37.7 | 4.16 | 19.0 | 40.3 | 4.58 | 19.3 | 42.9 | 5.02 | 19.6 | 48.2 | 5.96 | 20.2 | 53.4 | 6.98 | 20.8 |  |  |  |
|                 |                        | 96                         | 27.2   | 2.66 | 17.4 | 32.5 | 3.33 | 17.9 | 37.7 | 4.09 | 18.3 | 40.3 | 4.50 | 18.6 | 42.9 | 4.93 | 18.8 | 48.2 | 5.85 | 19.3 | 53.4 | 6.85 | 19.8 |  |  |  |
|                 | 20                     | 50                         | 27.2   | 2.54 | 16.5 | 32.5 | 3.18 | 16.8 | 37.7 | 3.89 | 17.1 | 40.3 | 4.28 | 17.2 | 42.9 | 4.69 | 17.4 | 48.2 | 5.56 | 17.7 | 53.4 | 6.51 | 18.0 |  |  |  |
|                 |                        | 60                         | 27.2   | 2.81 | 22.9 | 32.5 | 3.52 | 23.4 | 37.7 | 4.32 | 24.0 | 40.3 | 4.75 | 24.3 | 42.9 | 5.21 | 24.6 | 48.2 | 6.19 | 25.2 | 53.4 | 7.25 | 25.8 |  |  |  |
|                 |                        | 96                         | 27.2   | 2.76 | 22.4 | 32.5 | 3.46 | 22.9 | 37.7 | 4.24 | 23.3 | 40.3 | 4.67 | 23.6 | 42.9 | 5.11 | 23.8 | 48.2 | 6.07 | 24.3 | 53.4 | 7.12 | 24.8 |  |  |  |
|                 | 25                     | 50                         | 27.2   | 2.64 | 21.5 | 32.5 | 3.30 | 21.8 | 37.7 | 4.04 | 22.1 | 40.3 | 4.44 | 22.2 | 42.9 | 4.87 | 22.4 | 48.2 | 5.77 | 22.7 | 53.4 | 6.76 | 23.0 |  |  |  |
|                 |                        | 60                         | 27.2   | 2.59 | 21.2 | 32.5 | 3.24 | 21.4 | 37.7 | 3.97 | 21.7 | 40.3 | 4.36 | 21.8 | 42.9 | 4.78 | 21.9 | 48.2 | 5.66 | 22.1 | 53.4 | 6.63 | 22.4 |  |  |  |
|                 |                        | 96                         | 27.2   | 2.52 | 20.9 | 32.5 | 3.18 | 21.1 | 37.7 | 3.91 | 21.4 | 40.3 | 4.30 | 21.5 | 42.9 | 4.71 | 21.6 | 48.2 | 5.59 | 22.0 | 53.4 | 6.56 | 22.2 |  |  |  |
| 30              | 50                     | 27.2                       | 3.27   | 27.9 | 32.5 | 4.11 | 28.5 | 37.7 | 5.06 | 29.1 | 40.3 | 5.57 | 29.4 | 42.9 | 6.11 | 29.7 | 48.2 | 7.27 | 30.3 | 53.4 | 8.54 | 30.9 |      |  |  |  |
|                 | 60                     | 27.2                       | 3.21   | 27.4 | 32.5 | 4.04 | 27.9 | 37.7 | 4.97 | 28.4 | 40.3 | 5.47 | 28.6 | 42.9 | 6.00 | 28.9 | 48.2 | 7.14 | 29.4 | 53.4 | 8.38 | 29.9 |      |  |  |  |
|                 | 96                     | 27.2                       | 3.06   | 26.5 | 32.5 | 3.85 | 26.8 | 37.7 | 4.73 | 27.1 | 40.3 | 5.21 | 27.3 | 42.9 | 5.71 | 27.4 | 48.2 | 6.78 | 27.7 | 53.4 | 7.96 | 28.1 |      |  |  |  |
| 35              | 50                     | 27.2                       | 3.01   | 26.2 | 32.5 | 3.78 | 26.4 | 37.7 | 4.64 | 26.7 | 40.3 | 5.11 | 26.8 | 42.9 | 5.60 | 26.9 | 48.2 | 6.65 | 27.2 | 53.4 | 7.80 | 27.4 |      |  |  |  |
|                 | 60                     | 27.2                       | 3.80   | 33.0 | 32.5 | 4.81 | 33.6 | 37.7 | 5.94 | 34.2 | 40.3 | 6.55 | 34.5 | 42.9 | 7.20 | 34.8 | 48.2 | 8.58 | 35.4 | 53.4 | 10.1 | 36.1 |      |  |  |  |
|                 | 96                     | 27.2                       | 3.74   | 32.5 | 32.5 | 4.72 | 33.0 | 37.7 | 5.83 | 33.5 | 40.3 | 6.43 | 33.7 | 42.9 | 7.06 | 34.0 | 48.2 | 8.42 | 34.5 | 53.4 | 9.90 | 35.0 |      |  |  |  |
| 40              | 50                     | 27.2                       | 3.57   | 31.5 | 32.5 | 4.50 | 31.8 | 37.7 | 5.55 | 32.2 | 40.3 | 6.12 | 32.3 | 42.9 | 6.72 | 32.5 | 48.2 | 8.00 | 32.8 | 53.4 | 9.41 | 33.1 |      |  |  |  |
|                 | 60                     | 27.2                       | 3.51   | 31.2 | 32.5 | 4.42 | 31.5 | 37.7 | 5.45 | 31.7 | 40.3 | 6.01 | 31.8 | 42.9 | 6.59 | 32.0 | 48.2 | 7.85 | 32.2 | 53.4 | 9.22 | 32.5 |      |  |  |  |
|                 | 96                     | 27.2                       | 3.46   | 30.9 | 32.5 | 4.35 | 31.2 | 37.7 | 5.38 | 31.4 | 40.3 | 5.94 | 31.5 | 42.9 | 6.52 | 31.7 | 48.2 | 7.78 | 32.0 | 53.4 | 9.14 | 32.4 |      |  |  |  |
| 45              | 50                     | 27.2                       | 4.46   | 38.0 | 32.5 | 5.66 | 38.6 | 37.7 | 7.02 | 39.3 | 40.3 | 7.76 | 39.6 | 42.9 | 8.54 | 39.9 | 48.2 | 10.2 | 40.6 | 53.4 | 12.0 | 41.3 |      |  |  |  |
|                 | 60                     | 27.2                       | 4.38   | 37.5 | 32.5 | 5.56 | 38.0 | 37.7 | 6.90 | 38.6 | 40.3 | 7.62 | 38.8 | 42.9 | 8.38 | 39.1 | 48.2 | 10.0 | 39.6 | 53.4 | 11.8 | 40.2 |      |  |  |  |
|                 | 96                     | 27.2                       | 4.18   | 36.6 | 32.5 | 5.30 | 36.9 | 37.7 | 6.56 | 37.2 | 40.3 | 7.25 | 37.4 | 42.9 | 7.97 | 37.5 | 48.2 | 9.52 | 37.9 | 53.4 | 11.2 | 38.2 |      |  |  |  |
| 50              | 10                     | 50                         | 27.2   | 4.11 | 36.2 | 32.5 | 5.20 | 36.5 | 37.7 | 6.44 | 36.8 | 40.3 | 7.11 | 36.9 | 42.9 | 7.82 | 37.0 | 48.2 | 9.34 | 37.3 | 53.4 | 11.0 | 37.6 |  |  |  |
|                 |                        | 60                         | 27.2   | 5.06 | 43.1 | 32.5 | 6.59 | 43.7 | 37.7 | 8.35 | 44.4 | 40.3 | 9.30 | 44.7 | 42.9 | 10.3 | 45.1 | 48.2 | 11.3 | 45.5 | 47.0 | 11.4 | 45.6 |  |  |  |
|                 |                        | 96                         | 27.2   | 5.00 | 42.6 | 32.5 | 6.48 | 43.1 | 37.7 | 8.17 | 43.7 | 40.3 | 9.10 | 43.9 | 42.9 | 10.1 | 44.2 | 48.2 | 11.2 | 44.8 | 49.4 | 11.3 | 44.9 |  |  |  |
|                 | 15                     | 50                         | 27.2   | 4.50 | 41.6 | 32.5 | 5.76 | 41.9 | 37.7 | 7.19 | 42.2 | 40.3 | 7.97 | 42.4 | 42.9 | 8.79 | 42.6 | 48.2 | 10.5 | 42.9 | 53.4 | 12.5 | 43.3 |  |  |  |
|                 |                        | 60                         | 27.2   | 4.37 | 41.3 | 32.5 | 5.58 | 41.5 | 37.7 | 6.96 | 41.8 | 40.3 | 7.71 | 41.9 | 42.9 | 8.50 | 42.0 | 48.2 | 10.2 | 42.3 | 53.4 | 12.1 | 42.6 |  |  |  |
|                 |                        | 96                         | 27.2   | 4.30 | 41.0 | 32.5 | 5.50 | 41.3 | 37.7 | 6.88 | 41.5 | 40.3 | 7.63 | 41.6 | 42.9 | 8.42 | 41.7 | 48.2 | 10.1 | 42.2 | 53.4 | 12.0 | 42.5 |  |  |  |
|                 | 20                     | 50                         | 27.2   | 5.95 | 48.2 | 30.6 | 7.09 | 48.6 | 31.6 | 7.16 | 48.7 | 32.1 | 7.19 | 48.8 | 32.4 | 7.21 | 48.8 | 33.0 | 7.24 | 48.8 | 33.4 | 7.25 | 48.9 |  |  |  |
|                 |                        | 60                         | 27.2   | 5.60 | 47.6 | 32.5 | 6.48 | 48.2 | 34.2 | 7.83 | 48.3 | 34.7 | 7.87 | 48.4 | 35.1 | 7.90 | 48.4 | 35.9 | 7.95 | 48.5 | 36.4 | 7.98 | 48.5 |  |  |  |
|                 |                        | 96                         | 27.2   | 4.99 | 46.6 | 32.5 | 6.54 | 46.9 | 37.7 | 8.30 | 47.3 | 40.3 | 9.26 | 47.5 | 42.9 | 10.3 | 47.6 |      |      |      |      |      |      |  |  |  |

# 4 Capacity tables

## 4 - 2 Cooling capacity tables

| RWEYQ26PY1          |                                 | TC: Total Capacity: kW ; PI: Power Input: kW (compressor + outdoor fan motor) ; OWT: Outlet Water Temperatur: °C |                              |      |      |      |       |      |      |       |      |      |       |      |       |       |      |       |       |      |       |       |      |      |      |      |      |      |       |      |      |       |      |      |       |      |      |       |      |      |       |      |      |       |      |      |      |      |      |      |       |       |      |       |      |      |       |      |      |       |      |      |       |      |      |       |      |
|---------------------|---------------------------------|--|------------------------------|------|------|------|-------|------|------|-------|------|------|-------|------|-------|-------|------|-------|-------|------|-------|-------|------|------|------|------|------|------|-------|------|------|-------|------|------|-------|------|------|-------|------|------|-------|------|------|-------|------|------|------|------|------|------|-------|-------|------|-------|------|------|-------|------|------|-------|------|------|-------|------|------|-------|------|
| Combinatio<br>n (%) | Inlet<br>Water<br>Temp.<br>(°C) | Water<br>Volume<br>(note2)<br>L/min  | Indoor air temperature: °CWB |      |      |      |       |      |      |       |      |      |       |      |       |       |      |       |       |      |       |       |      |      |      |      |      |      |       |      |      |       |      |      |       |      |      |       |      |      |       |      |      |       |      |      |      |      |      |      |       |       |      |       |      |      |       |      |      |       |      |      |       |      |      |       |      |
|                     |                                 |  | 14.0                         |      |      | 16.0 |       |      | 18.0 |       |      | 19.0 |       |      | 20.0  |       |      | 22.0  |       |      | 24.0  |       |      |      |      |      |      |      |       |      |      |       |      |      |       |      |      |       |      |      |       |      |      |       |      |      |      |      |      |      |       |       |      |       |      |      |       |      |      |       |      |      |       |      |      |       |      |
|                     |                                 |  | TC                           | PI   | OWT  | TC   | PI    | OWT  | TC   | PI    | OWT  | TC   | PI    | OWT  | TC    | PI    | OWT  | TC    | PI    | OWT  | TC    | PI    | OWT  |      |      |      |      |      |       |      |      |       |      |      |       |      |      |       |      |      |       |      |      |       |      |      |      |      |      |      |       |       |      |       |      |      |       |      |      |       |      |      |       |      |      |       |      |
| 130                 | 10                              | 50   | 62.7                         | 8.73 | 16.8 | 74.8 | 11.62 | 18.3 | 81.8 | 12.3  | 19.1 | 83.0 | 12.3  | 19.1 | 84.1  | 12.4  | 19.2 | 85.9  | 12.5  | 19.4 | 87.4  | 12.5  | 19.5 | 60   | 62.7 | 8.56 | 15.7 | 74.8 | 11.39 | 16.9 | 82.1 | 12.2  | 17.5 | 83.3 | 12.2  | 17.6 | 84.5 | 12.3  | 17.7 | 86.4 | 12.3  | 17.9 | 87.9 | 12.4  | 18.0 | 120  | 62.7 | 8.13 | 13.5 | 74.8 | 10.81 | 14.3  | 83.2 | 11.83 | 14.7 | 84.4 | 11.89 | 14.8 | 85.5 | 11.93 | 14.9 | 87.5 | 12.01 | 15.0 | 89.0 | 12.06 | 15.0 |
|                     |                                 | 60   | 62.7                         | 7.97 | 12.8 | 74.8 | 10.60 | 13.4 | 83.5 | 11.71 | 13.8 | 84.8 | 11.76 | 13.8 | 85.9  | 11.81 | 13.9 | 87.9  | 11.89 | 14.0 | 89.5  | 11.93 | 14.0 | 120  | 62.7 | 7.97 | 12.8 | 74.8 | 10.60 | 13.4 | 83.5 | 11.71 | 13.8 | 84.8 | 11.76 | 13.8 | 85.9 | 11.81 | 13.9 | 87.9 | 11.89 | 14.0 | 89.5 | 11.93 | 14.0 |      |      |      |      |      |       |       |      |       |      |      |       |      |      |       |      |      |       |      |      |       |      |
|                     |                                 | 15   | 50                           | 62.7 | 9.03 | 21.9 | 74.8  | 12.0 | 23.3 | 80.3  | 12.6 | 23.9 | 81.5  | 12.7 | 24.0  | 82.5  | 12.8 | 24.1  | 84.3  | 12.8 | 24.3  | 85.7  | 12.9 | 24.4 | 60   | 62.7 | 8.86 | 20.7 | 74.8  | 11.8 | 21.9 | 80.7  | 12.5 | 22.4 | 81.8  | 12.6 | 22.5 | 82.9  | 12.6 | 22.6 | 84.7  | 12.7 | 22.8 | 86.1  | 12.8 | 22.9 | 120  | 62.7 | 8.42 | 18.5 | 74.8  | 11.19 | 19.3 | 81.7  | 12.2 | 19.7 | 82.9  | 12.2 | 19.7 | 84.0  | 12.3 | 19.8 | 85.8  | 12.4 | 19.9 | 87.3  | 12.4 |
|                     | 20                              | 50   | 62.7                         | 9.39 | 26.9 | 74.8 | 12.5  | 28.3 | 78.4 | 13.0  | 28.7 | 79.5 | 13.1  | 28.8 | 80.5  | 13.1  | 29.0 | 82.2  | 13.2  | 29.1 | 83.5  | 13.2  | 29.2 | 60   | 62.7 | 9.21 | 25.7 | 74.8 | 12.3  | 26.9 | 78.8 | 12.9  | 27.3 | 79.9 | 12.9  | 27.4 | 80.9 | 13.0  | 27.5 | 82.6 | 13.1  | 27.6 | 83.9 | 13.1  | 27.7 | 120  | 62.7 | 8.75 | 23.6 | 74.8 | 11.6  | 24.3  | 79.8 | 12.5  | 24.6 | 80.9 | 12.6  | 24.7 | 82.0 | 12.6  | 24.7 | 83.7 | 12.7  | 24.8 | 85.1 | 12.8  | 24.9 |
|                     | 25                              | 50   | 62.7                         | 9.39 | 26.9 | 74.8 | 12.5  | 28.3 | 78.4 | 13.0  | 28.7 | 79.5 | 13.1  | 28.8 | 80.5  | 13.1  | 29.0 | 82.2  | 13.2  | 29.1 | 83.5  | 13.2  | 29.2 | 60   | 62.7 | 9.21 | 25.7 | 74.8 | 12.3  | 26.9 | 78.8 | 12.9  | 27.3 | 79.9 | 12.9  | 27.4 | 80.9 | 13.0  | 27.5 | 82.6 | 13.1  | 27.6 | 83.9 | 13.1  | 27.7 | 120  | 62.7 | 8.58 | 22.8 | 74.8 | 11.4  | 23.4  | 80.1 | 12.4  | 23.7 | 81.3 | 12.5  | 23.7 | 82.3 | 12.5  | 23.8 | 84.1 | 12.6  | 23.9 | 85.5 | 12.6  | 23.9 |
|                     | 30                              | 50   | 62.7                         | 11.1 | 37.2 | 71.0 | 15.8  | 38.3 | 73.3 | 15.9  | 38.5 | 74.3 | 16.0  | 38.6 | 75.2  | 16.0  | 38.7 | 76.5  | 16.1  | 38.9 | 77.4  | 16.1  | 38.9 | 60   | 62.7 | 10.9 | 30.9 | 74.0 | 14.2  | 32.0 | 76.5 | 14.3  | 32.2 | 77.5 | 14.4  | 32.3 | 78.5 | 14.4  | 32.4 | 80.0 | 14.5  | 32.5 | 81.2 | 14.6  | 32.6 | 120  | 62.7 | 10.3 | 28.6 | 74.8 | 13.7  | 29.4  | 77.4 | 13.9  | 29.5 | 78.5 | 14.0  | 29.6 | 79.5 | 14.0  | 29.7 | 81.1 | 14.1  | 29.7 | 82.3 | 14.2  | 29.8 |
|                     | 35                              | 50   | 62.7                         | 15.7 | 43.0 | 67.9 | 17.2  | 43.1 | 70.1 | 17.4  | 43.4 | 70.9 | 17.5  | 43.4 | 71.7  | 17.5  | 43.5 | 72.8  | 17.6  | 43.6 | 73.4  | 17.6  | 43.7 | 60   | 62.7 | 15.4 | 41.2 | 68.3 | 17.1  | 41.8 | 70.4 | 17.2  | 42.0 | 71.3 | 17.3  | 42.1 | 72.0 | 17.3  | 42.1 | 73.2 | 17.4  | 42.2 | 73.8 | 17.4  | 42.3 | 120  | 62.7 | 14.6 | 38.8 | 69.1 | 16.6  | 39.3  | 71.3 | 16.8  | 39.4 | 72.2 | 16.8  | 39.4 | 73.0 | 16.9  | 39.5 | 74.2 | 16.9  | 39.5 | 74.9 | 16.9  | 39.6 |
|                     | 40                              | 50   | 62.7                         | 15.7 | 43.0 | 67.9 | 17.2  | 43.1 | 70.1 | 17.4  | 43.4 | 70.9 | 17.5  | 43.4 | 71.7  | 17.5  | 43.5 | 72.8  | 17.6  | 43.6 | 73.4  | 17.6  | 43.7 | 60   | 62.7 | 15.4 | 41.2 | 68.3 | 17.1  | 41.8 | 70.4 | 17.2  | 42.0 | 71.3 | 17.3  | 42.1 | 72.0 | 17.3  | 42.1 | 73.2 | 17.4  | 42.2 | 73.8 | 17.4  | 42.3 | 120  | 62.7 | 14.3 | 38.1 | 69.4 | 16.4  | 38.4  | 71.6 | 16.6  | 38.5 | 72.6 | 16.7  | 38.6 | 73.4 | 16.7  | 38.6 | 74.6 | 16.8  | 38.6 | 75.3 | 16.8  | 38.7 |
|                     | 45                              | 50   | 51.0                         | 12.7 | 46.1 | 52.5 | 12.8  | 46.2 | 53.4 | 12.8  | 46.3 | 53.6 | 12.8  | 46.3 | 53.6  | 12.8  | 46.3 | 53.1  | 12.8  | 46.3 | 51.9  | 12.8  | 46.1 | 60   | 53.6 | 13.7 | 45.4 | 55.4 | 13.9  | 45.5 | 56.6 | 13.9  | 45.6 | 56.9 | 13.9  | 45.6 | 57.1 | 13.9  | 45.7 | 57.0 | 13.8  | 45.6 | 56.2 | 13.6  | 45.6 | 120  | 51.0 | 15.4 | 43.8 | 63.3 | 15.5  | 43.9  | 65.1 | 15.7  | 44.0 | 65.8 | 15.7  | 44.1 | 66.4 | 15.7  | 44.1 | 67.1 | 15.7  | 44.1 | 67.3 | 15.7  | 44.1 |
|                     | 10                              | 50   | 35.7                         | 8.02 | 49.2 | 35.3 | 7.90  | 49.1 | 33.8 | 7.68  | 49.0 | 32.7 | 7.52  | 48.8 | 31.4  | 7.34  | 48.7 | 27.9  | 6.89  | 48.3 | 23.4  | 6.33  | 47.8 | 60   | 39.1 | 8.85 | 48.8 | 39.3 | 8.79  | 48.8 | 38.5 | 8.64  | 48.8 | 37.8 | 8.52  | 48.7 | 36.8 | 8.38  | 48.6 | 34.1 | 8.02  | 48.4 | 30.5 | 7.56  | 48.0 | 120  | 48.8 | 11.6 | 48.0 | 50.1 | 11.7  | 48.1  | 50.8 | 11.7  | 48.1 | 50.8 | 11.7  | 48.1 | 50.8 | 11.7  | 48.1 | 50.8 | 11.7  | 48.1 | 48.3 | 11.2  | 48.0 |
|                     | 15                              | 50   | 57.9                         | 7.69 | 16.3 | 69.1 | 10.19 | 17.6 | 80.2 | 12.2  | 18.8 | 86.7 | 13.5  | 47.8 | 56.7  | 13.5  | 47.8 | 56.9  | 13.5  | 47.8 | 56.8  | 13.4  | 47.8 | 60   | 57.9 | 7.55 | 15.2 | 69.1 | 9.99  | 16.3 | 80.2 | 12.06 | 17.3 | 81.9 | 12.2  | 17.5 | 83.0 | 12.2  | 17.6 | 85.1 | 12.3  | 17.8 | 86.7 | 12.4  | 17.9 | 120  | 57.9 | 7.17 | 13.2 | 69.1 | 9.49  | 13.9  | 80.2 | 11.67 | 14.6 | 82.9 | 11.82 | 14.7 | 84.1 | 11.87 | 14.8 | 86.1 | 11.96 | 14.9 | 87.9 | 12.02 | 15.0 |
|                     | 20                              | 50   | 57.9                         | 7.96 | 21.3 | 69.1 | 10.55 | 22.6 | 78.9 | 12.6  | 23.7 | 80.1 | 12.6  | 23.9 | 81.2  | 12.7  | 24.0 | 83.1  | 12.8  | 24.2 | 84.7  | 12.8  | 24.3 | 60   | 57.9 | 7.81 | 20.2 | 69.1 | 10.35 | 21.3 | 79.2 | 12.4  | 22.3 | 80.4 | 12.5  | 22.4 | 81.5 | 12.6  | 22.5 | 83.5 | 12.7  | 22.7 | 85.1 | 12.7  | 22.8 | 120  | 57.9 | 7.42 | 18.3 | 69.1 | 9.82  | 18.9  | 80.2 | 12.1  | 19.6 | 81.4 | 12.2  | 19.7 | 82.6 | 12.2  | 19.7 | 84.6 | 12.3  | 19.8 | 86.2 | 12.4  | 19.9 |
| 25                  | 50                              | 57.9   | 7.28                         | 17.6 | 69.1 | 9.63 | 18.1  | 80.2 | 12.0 | 18.7  | 81.8 | 12.0 | 18.7  | 83.0 | 11.69 | 13.8  | 84.5 | 11.75 | 13.8  | 86.5 | 11.83 | 13.9  | 60   | 57.9 | 8.27 | 26.3 | 69.1 | 11.0 | 27.6  | 77.1 | 12.9 | 28.6  | 78.2 | 13.0 | 28.7  | 79.3 | 13.1 | 28.8  | 81.1 | 13.1 | 29.0  | 82.5 | 13.2 | 29.2  | 120  | 57.9 | 8.12 | 25.3 | 69.1 | 10.8 | 26.4  | 77.4  | 12.8 | 27.2  | 78.6 | 12.9 | 27.3  | 79.6 | 12.9 | 27.4  | 81.5 | 13.0 | 27.5  | 83.0 | 13.1 | 27.6  |      |
| 30                  | 50                              | 57.9   | 7.71                         | 23.3 | 69.1 | 10.2 | 23.9  | 78.4 | 12.5 | 24.5  | 79.5 | 12.5 | 24.6  | 80.6 | 12.6  | 24.6  | 82.5 | 12.7  | 24.7  | 84.1 | 12.7  | 24.8  | 60   | 57.9 | 7.71 | 23.3 | 69.1 | 10.2 | 23.9  | 78.4 | 12.5 | 24.5  | 79.5 | 12.5 | 24.6  | 80.6 | 12.6 | 24.6  | 82.5 | 12.7 | 24.7  | 84.1 | 12.7 | 24.8  | 120  | 57.9 | 7.56 | 22.6 | 69.1 | 10.0 | 23.1  | 78.7  | 12.3 | 23.6  | 79.9 | 12.4 | 23.7  | 81.0 | 12.4 | 23.7  | 82.9 | 12.5 | 23.8  | 84.5 | 12.6 | 23.9  |      |
| 35                  | 50                              | 57.9   | 9.74                         | 31.5 | 69.1 | 12.9 | 32.8  | 74.8 | 14.4 | 33.5  | 75.9 | 14.5 | 33.6  | 76.9 | 14.5  | 33.7  | 78.6 | 14.6  | 33.9  | 79.9 | 14.7  | 34.0  | 60   | 57.9 | 9.56 | 30.4 | 69.1 | 12.7 | 31.5  | 75.1 | 14.2 | 32.1  | 76.2 | 14.3 | 32.2  | 77.3 | 14.4 | 32.3  | 79.0 | 14.5 | 32.4  | 80.3 | 14.5 | 32.6  | 120  | 57.9 | 9.08 | 28.3 | 69.1 | 12.0 | 29.0  | 76.1  | 13.9 | 29.5  | 77.2 | 13.9 | 29.5  | 78.2 | 14.0 | 29.6  | 80.0 | 14.1 | 29.7  | 81.4 | 14.1 | 29.8  |      |
| 40                  | 50                              | 57.9   | 8.90                         | 27.7 | 69.1 | 11.8 | 28.2  | 76.4 | 13.7 | 28.6  | 77.6 | 13.8 | 28.6  | 78.6 | 13.8  | 28.7  | 80.4 | 13.9  | 28.8  | 81.8 | 14.0  | 28.8  | 60   | 57.9 | 11.5 | 36.6 | 69.1 | 15.4 | 38.1  | 72.1 | 15.8 | 38.4  | 73.1 | 15.9 | 38.5  | 38.5 | 74.1 | 16.0  | 38.6 | 75.6 | 16.1  | 38.8 | 76.7 | 16.1  | 38.9 | 120  | 57.9 | 11.3 | 35.5 | 69.1 | 15.1  | 36.7  | 72.4 | 15.7  | 37.0 | 73.5 | 15.8  | 37.1 | 74.4 | 15.8  | 37.2 | 76.0 | 15.9  | 37.3 | 77.1 | 16.0  | 37.4 |
| 45                  | 50                              | 57.9   | 10.7                         | 33.4 | 69.1 | 14.3 | 34.1  | 73.3 | 15.3 | 34.4  | 74.4 | 15.3 | 34.5  | 75.4 | 15.4  | 34.5  | 77.0 | 15.5  | 34.6  | 78.2 | 15.5  | 34.7  | 60   | 57.9 | 10.5 | 32.7 | 69.1 | 14.0 | 33.3  | 73.7 | 15.1 | 33.5  | 74.8 | 15.2 | 33.6  | 75.7 | 15.2 | 33.6  | 77.4 | 15.3 | 33.7  | 78.6 | 15.4 | 33.7  | 120  | 57.9 | 10.5 | 32.7 | 69.1 | 14.0 | 33.3  | 73.7  | 15.1 | 33.5  | 74.8 | 15.2 | 33.6  | 75.7 | 15.2 | 33.6  | 77.4 | 15.3 | 33.7  | 78.6 | 15.4 | 33.7  |      |
| 10                  | 50                              | 57.9   | 13.7                         | 41.8 | 66.8 | 17.1 | 43.0  | 68.9 | 17.3 | 43.2  | 69.9 | 17.4 | 43.3  | 70.7 | 17.5  | 43.4  | 72.0 | 17.5  | 43.6  | 73.0 | 17.6  | 43.7  | 60   | 57.9 | 13.5 | 40.7 | 67.1 | 17.0 | 41.7  | 69.3 | 17.1 | 41.9  | 70.2 | 17.2 | 42.0  | 71.1 | 17.3 | 42.0  | 72.4 | 17.4 | 42.2  | 73.4 | 17.4 | 42.2  | 120  | 57.9 | 12.8 | 38.5 | 67.9 | 16.5 | 39.2  | 70.1  | 16.7 | 39.3  | 71.1 | 16.8 | 39.4  | 72.0 | 16.8 | 39.4  | 73.4 | 16.9 | 39.5  | 74.4 | 16.9 | 39.5  |      |
| 15                  | 50                              | 57.9   | 12.6                         | 37.8 | 68.2 | 16.3 | 38.4  | 70.5 | 16.5 | 38.5  | 71.4 | 16.6 | 38.5  | 72.3 | 16.6  | 38.5  | 73.8 | 16.7  | 38.6  | 74.8 | 16.8  | 38.6  | 60   | 50.1 | 12.6 | 46.0 | 51.9 | 12.8 | 46.2  | 53.0 | 12.8 | 46.3  | 53.3 | 12.8 | 46.3  | 53.5 | 12.8 | 46.3  | 53.5 | 12.7 | 46.3  | 52.9 | 12.6 | 46.3  | 120  | 57.9 | 13.8 | 43.9 | 62.8 | 15.5 | 43.9  | 64.2  | 15.6 | 44.0  | 65.0 | 15.7 | 44.0  | 65.7 | 15.7 | 44.1  | 66.6 | 15.8 | 44.1  | 67.2 | 15.7 | 44.1  |      |
| 20                  | 50                              | 57.9   | 13.8                         | 43.9 | 62.8 | 15.5 | 43.9  | 64.2 | 15.6 | 44.0  | 65.0 | 15.7 | 44.0  | 65.7 | 15.7  | 44.1  | 66.6 | 15.8  | 44.1  | 67.2 | 15.7  | 44.1  | 60   | 52.7 | 13.6 | 45.3 | 54.7 | 13.8 | 45.5  | 56.0 | 13.9 | 45.6  | 56.3 | 13.9 | 45.6  | 56.9 | 13.9 | 45.6  | 57.1 | 13.9 | 45.7  | 56.9 | 13.8 | 45.6  | 120  | 57.9 | 14.3 | 42.6 | 62.3 | 15.5 | 43    |       |      |       |      |      |       |      |      |       |      |      |       |      |      |       |      |

# 4 Capacity tables

## 4 - 2 Cooling capacity tables

| RWEYQ26PY1      |                        |                            | TC: Total Capacity: kW ; PI: Power Input: kW (compressor + outdoor fan motor) ; OWT: Outlet Water Temperatur: °C |      |      |      |      |      |      |       |      |      |       |      |      |       |      |      |      |      |      |      |      |      |      |      |      |      |      |      |      |      |      |       |      |      |       |      |      |      |      |      |      |      |      |      |      |      |      |      |      |      |      |      |       |      |      |       |      |      |       |      |      |       |      |      |      |      |      |      |      |      |      |      |      |       |      |      |       |      |      |       |      |      |       |      |
|-----------------|------------------------|----------------------------|--|------|------|------|------|------|------|-------|------|------|-------|------|------|-------|------|------|------|------|------|------|------|------|------|------|------|------|------|------|------|------|------|-------|------|------|-------|------|------|------|------|------|------|------|------|------|------|------|------|------|------|------|------|------|-------|------|------|-------|------|------|-------|------|------|-------|------|------|------|------|------|------|------|------|------|------|------|-------|------|------|-------|------|------|-------|------|------|-------|------|
| Combination (%) | Inlet Water Temp. (°C) | Water Volume (note2) L/min | Indoor air temperature: °CWB   |      |      |      |      |      |      |       |      |      |       |      |      |       |      |      |      |      |      |      |      |      |      |      |      |      |      |      |      |      |      |       |      |      |       |      |      |      |      |      |      |      |      |      |      |      |      |      |      |      |      |      |       |      |      |       |      |      |       |      |      |       |      |      |      |      |      |      |      |      |      |      |      |       |      |      |       |      |      |       |      |      |       |      |
|                 |                        |                            | 14.0   |      |      | 16.0 |      |      | 18.0 |       |      | 19.0 |       |      | 20.0 |       |      | 22.0 |      |      | 24.0 |      |      |      |      |      |      |      |      |      |      |      |      |       |      |      |       |      |      |      |      |      |      |      |      |      |      |      |      |      |      |      |      |      |       |      |      |       |      |      |       |      |      |       |      |      |      |      |      |      |      |      |      |      |      |       |      |      |       |      |      |       |      |      |       |      |
|                 |                        |                            | TC   | PI   | OWT  | TC   | PI   | OWT  | TC   | PI    | OWT  | TC   | PI    | OWT  | TC   | PI    | OWT  | TC   | PI   | OWT  | TC   | PI   | OWT  |      |      |      |      |      |      |      |      |      |      |       |      |      |       |      |      |      |      |      |      |      |      |      |      |      |      |      |      |      |      |      |       |      |      |       |      |      |       |      |      |       |      |      |      |      |      |      |      |      |      |      |      |       |      |      |       |      |      |       |      |      |       |      |
| 100             | 10                     | 50                         | 48.3   | 5.82 | 15.2 | 57.6 | 7.62 | 16.2 | 66.9 | 9.66  | 17.3 | 71.5 | 10.78 | 17.9 | 76.1 | 11.96 | 18.4 | 81.5 | 12.3 | 19.0 | 83.3 | 12.4 | 19.1 | 48.3 | 5.72 | 14.3 | 57.6 | 7.48 | 15.2 | 66.9 | 9.48 | 16.1 | 71.5 | 10.57 | 16.5 | 76.1 | 11.73 | 17.0 | 81.8 | 12.1 | 17.5 | 83.7 | 12.2 | 17.6 | 48.3 | 5.44 | 12.7 | 57.6 | 7.10 | 13.2 | 66.9 | 9.00 | 13.8 | 71.5 | 10.03 | 14.1 | 76.1 | 11.13 | 14.3 | 82.8 | 11.82 | 14.7 | 84.7 | 11.90 | 14.8 | 48.3 | 5.34 | 12.1 | 57.6 | 6.97 | 12.6 | 66.9 | 8.82 | 13.0 | 71.5 | 9.84  | 13.2 | 76.1 | 10.91 | 13.5 | 83.2 | 11.69 | 13.8 | 85.1 | 11.78 | 13.9 |
|                 |                        | 60                         | 48.3   | 6.03 | 20.2 | 57.6 | 7.89 | 21.3 | 66.9 | 10.01 | 22.3 | 71.5 | 11.16 | 22.9 | 76.1 | 12.4  | 23.5 | 80.0 | 12.6 | 23.9 | 81.8 | 12.7 | 24.0 | 48.3 | 5.92 | 19.3 | 57.6 | 7.74 | 20.2 | 66.9 | 9.82 | 21.1 | 71.5 | 10.95 | 21.6 | 76.1 | 12.1  | 22.0 | 80.4 | 12.5 | 22.4 | 82.2 | 12.6 | 22.5 | 48.3 | 5.63 | 17.7 | 57.6 | 7.35 | 18.2 | 66.9 | 9.32 | 18.8 | 71.5 | 10.39 | 19.1 | 76.1 | 11.5  | 19.4 | 81.4 | 12.2  | 19.7 | 83.2 | 12.3  | 19.8 | 48.3 | 5.52 | 17.1 | 57.6 | 7.21 | 17.6 | 66.9 | 9.14 | 18.0 | 71.5 | 10.19 | 18.3 | 76.1 | 11.30 | 18.5 | 81.7 | 12.0  | 18.7 | 83.6 | 12.1  | 18.8 |
|                 |                        | 96                         | 48.3   | 6.26 | 25.2 | 57.6 | 8.19 | 26.3 | 66.9 | 10.4  | 27.4 | 71.5 | 11.6  | 27.9 | 76.1 | 12.9  | 28.5 | 78.1 | 13.0 | 28.7 | 79.8 | 13.1 | 28.9 | 48.3 | 6.15 | 24.3 | 57.6 | 8.04 | 25.2 | 66.9 | 10.2 | 26.1 | 71.5 | 11.4  | 26.6 | 76.1 | 12.6  | 27.1 | 78.5 | 12.9 | 27.3 | 80.2 | 13.0 | 27.4 | 48.3 | 5.85 | 22.7 | 57.6 | 7.64 | 23.2 | 66.9 | 9.69 | 23.8 | 71.5 | 10.8  | 24.1 | 76.1 | 12.0  | 24.4 | 79.5 | 12.5  | 24.6 | 81.2 | 12.6  | 24.7 | 48.3 | 5.74 | 22.2 | 57.6 | 7.49 | 22.6 | 66.9 | 9.50 | 23.0 | 71.5 | 10.6  | 23.3 | 76.1 | 11.7  | 23.5 | 79.8 | 12.4  | 23.7 | 81.6 | 12.5  | 23.7 |
|                 |                        | 120                        | 48.3   | 7.35 | 30.3 | 57.6 | 9.65 | 31.4 | 66.9 | 12.3  | 32.6 | 71.5 | 13.7  | 33.1 | 73.9 | 14.3  | 33.5 | 75.8 | 14.4 | 33.6 | 77.4 | 14.5 | 33.8 | 48.3 | 7.22 | 29.4 | 57.6 | 9.47 | 30.3 | 66.9 | 12.0 | 31.3 | 71.5 | 13.4  | 31.8 | 74.3 | 14.2  | 32.0 | 76.2 | 14.3 | 32.2 | 77.8 | 14.4 | 32.3 | 48.3 | 6.86 | 27.7 | 57.6 | 8.99 | 28.3 | 66.9 | 11.4 | 28.9 | 71.5 | 12.8  | 29.2 | 75.2 | 13.8  | 29.4 | 77.1 | 13.9  | 29.5 | 78.8 | 14.0  | 29.6 | 48.3 | 6.73 | 27.2 | 57.6 | 8.82 | 27.6 | 66.9 | 11.2 | 28.1 | 71.5 | 12.5  | 28.3 | 75.5 | 13.7  | 28.6 | 77.5 | 13.8  | 28.6 | 79.2 | 13.9  | 28.7 |
|                 | 15                     | 50                         | 48.3   | 8.66 | 35.4 | 57.6 | 11.4 | 36.6 | 66.9 | 14.5  | 37.8 | 70.3 | 15.7  | 38.2 | 71.3 | 15.8  | 38.3 | 73.1 | 15.9 | 38.5 | 74.6 | 16.0 | 38.7 | 48.3 | 8.50 | 34.5 | 57.6 | 11.2 | 35.5 | 66.9 | 14.3 | 36.5 | 70.6 | 15.6  | 36.9 | 71.6 | 15.6  | 36.9 | 73.4 | 15.8 | 37.1 | 74.9 | 15.9 | 37.2 | 48.3 | 8.09 | 32.8 | 57.6 | 10.6 | 33.4 | 66.9 | 13.5 | 34.0 | 71.5 | 15.1  | 34.3 | 72.5 | 15.2  | 34.4 | 74.3 | 15.3  | 34.5 | 75.9 | 15.4  | 34.5 | 48.3 | 7.93 | 32.2 | 57.6 | 10.4 | 32.7 | 66.9 | 13.3 | 33.2 | 71.5 | 14.8  | 33.4 | 72.8 | 15.0  | 33.5 | 74.7 | 15.2  | 33.6 | 76.3 | 15.3  | 33.6 |
|                 |                        | 60                         | 48.3   | 10.3 | 40.6 | 57.6 | 13.6 | 41.8 | 66.3 | 17.1  | 43.0 | 67.3 | 17.2  | 43.1 | 68.2 | 17.3  | 43.2 | 69.8 | 17.4 | 43.3 | 71.2 | 17.5 | 43.5 | 48.3 | 10.1 | 39.6 | 57.6 | 13.4 | 40.6 | 66.6 | 16.9 | 41.6 | 67.6 | 17.0  | 41.7 | 68.5 | 17.1  | 41.8 | 70.2 | 17.2 | 42.0 | 71.5 | 17.3 | 42.1 | 48.3 | 9.60 | 37.9 | 57.6 | 12.7 | 38.5 | 66.9 | 16.2 | 39.1 | 68.4 | 16.5  | 39.2 | 69.4 | 16.6  | 39.3 | 71.1 | 16.7  | 39.4 | 72.5 | 16.8  | 39.4 | 48.3 | 9.42 | 37.3 | 57.6 | 12.4 | 37.8 | 66.9 | 15.9 | 38.3 | 68.7 | 16.4  | 38.4 | 69.7 | 16.4  | 38.4 | 71.4 | 16.6  | 38.5 | 72.8 | 16.7  | 38.6 |
|                 |                        | 96                         | 48.3   | 12.2 | 44.8 | 57.6 | 16.1 | 43.6 | 61.8 | 15.4  | 43.8 | 62.7 | 15.5  | 43.9 | 63.5 | 15.6  | 43.9 | 64.9 | 15.7 | 44.0 | 66.0 | 15.7 | 44.1 | 48.3 | 12.0 | 44.2 | 57.6 | 15.9 | 43.4 | 61.8 | 15.2 | 43.1 | 63.3 | 15.2  | 43.1 | 64.1 | 15.3  | 43.2 | 65.5 | 15.4 | 43.2 | 66.6 | 15.5 | 43.3 | 48.3 | 11.4 | 42.9 | 57.6 | 15.1 | 41.8 | 61.8 | 14.5 | 41.8 | 62.7 | 14.8  | 42.2 | 63.5 | 14.8  | 42.2 | 64.9 | 14.9  | 42.2 | 66.0 | 15.0  | 42.2 | 48.3 | 11.3 | 42.3 | 57.6 | 14.9 | 41.6 | 61.8 | 14.4 | 41.6 | 62.4 | 14.7  | 41.6 | 63.2 | 14.7  | 41.6 | 64.7 | 14.8  | 41.7 | 65.7 | 14.9  | 41.7 |
|                 |                        | 120                        | 48.3   | 14.1 | 47.9 | 57.6 | 18.1 | 44.8 | 59.3 | 14.1  | 44.8 | 60.2 | 14.2  | 44.8 | 61.0 | 14.3  | 44.8 | 62.0 | 14.3 | 44.8 | 63.0 | 14.3 | 44.8 | 48.3 | 13.9 | 47.4 | 57.6 | 17.9 | 44.6 | 59.3 | 13.9 | 44.6 | 60.1 | 14.1  | 44.6 | 60.9 | 14.2  | 44.6 | 61.9 | 14.2 | 44.6 | 62.9 | 14.2 | 44.6 | 48.3 | 13.4 | 46.7 | 57.6 | 17.6 | 44.4 | 59.3 | 13.7 | 44.4 | 60.4 | 14.0  | 44.4 | 61.2 | 14.1  | 44.4 | 62.2 | 14.1  | 44.4 | 63.2 | 14.1  | 44.4 | 48.3 | 13.3 | 46.5 | 57.6 | 17.5 | 44.3 | 59.3 | 13.6 | 44.3 | 60.3 | 13.9  | 44.3 | 61.1 | 14.0  | 44.3 | 62.1 | 14.0  | 44.3 | 63.1 | 14.0  | 44.3 |
|                 | 20                     | 50                         | 48.3   | 10.3 | 40.6 | 57.6 | 13.6 | 41.8 | 66.3 | 17.1  | 43.0 | 67.3 | 17.2  | 43.1 | 68.2 | 17.3  | 43.2 | 69.8 | 17.4 | 43.3 | 71.2 | 17.5 | 43.5 | 48.3 | 10.1 | 39.6 | 57.6 | 13.4 | 40.6 | 66.6 | 16.9 | 41.6 | 67.6 | 17.0  | 41.7 | 68.5 | 17.1  | 41.8 | 70.2 | 17.2 | 42.0 | 71.5 | 17.3 | 42.1 | 48.3 | 9.60 | 37.9 | 57.6 | 12.7 | 38.5 | 66.9 | 16.2 | 39.1 | 68.4 | 16.5  | 39.2 | 69.4 | 16.6  | 39.3 | 71.1 | 16.7  | 39.4 | 72.5 | 16.8  | 39.4 | 48.3 | 9.42 | 37.3 | 57.6 | 12.4 | 37.8 | 66.9 | 15.9 | 38.3 | 68.7 | 16.4  | 38.4 | 69.7 | 16.4  | 38.4 | 71.4 | 16.6  | 38.5 | 72.8 | 16.7  | 38.6 |
|                 |                        | 60                         | 48.3   | 12.2 | 44.8 | 57.6 | 16.1 | 43.6 | 61.8 | 15.4  | 43.8 | 62.7 | 15.5  | 43.9 | 63.5 | 15.6  | 43.9 | 64.9 | 15.7 | 44.0 | 66.0 | 15.7 | 44.1 | 48.3 | 12.0 | 44.2 | 57.6 | 15.9 | 43.4 | 61.8 | 15.2 | 43.1 | 63.3 | 15.2  | 43.1 | 64.1 | 15.3  | 43.2 | 65.5 | 15.4 | 43.2 | 66.6 | 15.5 | 43.3 | 48.3 | 11.4 | 42.9 | 57.6 | 15.1 | 41.8 | 61.8 | 14.5 | 41.8 | 62.7 | 14.8  | 42.2 | 63.5 | 14.8  | 42.2 | 64.9 | 14.9  | 42.2 | 66.0 | 15.0  | 42.2 | 48.3 | 11.3 | 42.3 | 57.6 | 14.9 | 41.6 | 61.8 | 14.4 | 41.6 | 62.4 | 14.7  | 41.6 | 63.2 | 14.7  | 41.6 | 64.7 | 14.8  | 41.7 | 65.7 | 14.9  | 41.7 |
|                 |                        | 96                         | 48.3   | 14.1 | 47.9 | 57.6 | 18.1 | 44.8 | 59.3 | 14.1  | 44.8 | 60.2 | 14.2  | 44.8 | 61.0 | 14.3  | 44.8 | 62.0 | 14.3 | 44.8 | 63.0 | 14.3 | 44.8 | 48.3 | 13.9 | 47.4 | 57.6 | 17.9 | 44.6 | 59.3 | 13.9 | 44.6 | 60.1 | 14.1  | 44.6 | 60.9 | 14.2  | 44.6 | 61.9 | 14.2 | 44.6 | 62.9 | 14.2 | 44.6 | 48.3 | 13.4 | 46.7 | 57.6 | 17.6 | 44.4 | 59.3 | 13.7 | 44.4 | 60.4 | 14.0  | 44.4 | 61.2 | 14.1  | 44.4 | 62.2 | 14.1  | 44.4 | 63.2 | 14.1  | 44.4 | 48.3 | 13.3 | 46.5 | 57.6 | 17.5 | 44.3 | 59.3 | 13.6 | 44.3 | 60.3 | 13.9  | 44.3 | 61.1 | 14.0  | 44.3 | 62.1 | 14.0  | 44.3 | 63.1 | 14.0  | 44.3 |
|                 |                        | 120                        | 48.3   | 15.9 | 51.8 | 57.6 | 20.6 | 45.9 | 60.2 | 14.2  | 45.9 | 61.1 | 14.3  | 45.9 | 62.0 | 14.3  | 45.9 | 63.0 | 14.3 | 45.9 | 64.0 | 14.3 | 45.9 | 48.3 | 15.7 | 51.6 | 57.6 | 20.4 | 45.7 | 60.2 | 14.1 | 45.7 | 61.0 | 14.2  | 45.7 | 61.9 | 14.2  | 45.7 | 62.9 | 14.2 | 45.7 | 63.9 | 14.2 | 45.7 | 48.3 | 15.1 | 50.9 | 57.6 | 20.1 | 45.5 | 60.2 | 13.9 | 45.5 | 60.5 | 14.1  | 45.5 | 61.4 | 14.1  | 45.5 | 62.4 | 14.1  | 45.5 | 63.4 | 14.1  | 45.5 | 48.3 | 15.0 | 50.7 | 57.6 | 20.0 | 45.4 | 60.2 | 13.8 | 45.4 | 60.4 | 14.0  | 45.4 | 61.3 | 14.0  | 45.4 | 62.3 | 14.0  | 45.4 | 63.3 | 14.0  | 45.4 |
| 25              | 50                     | 48.3                       | 10.3   | 40.6 | 57.6 | 13.6 | 41.8 | 66.3 | 17.1 | 43.0  | 67.3 | 17.2 | 43.1  | 68.2 | 17.3 | 43.2  | 69.8 | 17.4 | 43.3 | 71.2 | 17.5 | 43.5 | 48.3 | 10.1 | 39.6 | 57.6 | 13.4 | 40.6 | 66.6 | 16.9 | 41.6 | 67.6 | 17.0 | 41.7  | 68.5 | 17.1 | 41.8  | 70.2 | 17.2 | 42.0 | 71.5 | 17.3 | 42.1 | 48.3 | 9.60 | 37.9 | 57.6 | 12.7 | 38.5 | 66.9 | 16.2 | 39.1 | 68.4 | 16.5 | 39.2  | 69.4 | 16.6 | 39.3  | 71.1 | 16.7 | 39.4  | 72.5 | 16.8 | 39.4  | 48.3 | 9.42 | 37.3 | 57.6 | 12.4 | 37.8 | 66.9 | 15.9 | 38.3 | 68.7 | 16.4 | 38.4  | 69.7 | 16.4 | 38.4  | 71.4 | 16.6 | 38.5  | 72.8 | 16.7 | 38.6  |      |
|                 | 60                     | 48.3                       | 12.2   | 44.8 | 57.6 | 16.1 | 43.6 | 61.8 | 15.4 | 43.8  | 62.7 | 15.5 | 43.9  | 63.5 | 15.6 | 43.9  | 64.9 | 15.7 | 44.0 | 66.0 | 15.7 | 44.1 | 48.3 | 12.0 | 44.2 | 57.6 | 15.9 | 43.4 | 61.8 | 15.2 | 43.1 | 63.3 | 15.2 | 43.1  | 64.1 | 15.3 | 43.2  | 65.5 | 15.4 | 43.2 | 66.6 | 15.5 | 43.3 | 48.3 | 11.4 | 42.9 | 57.6 | 15.1 | 41.8 | 61.8 | 14.5 | 41.8 | 62.7 | 14.8 | 42.2  | 63.5 | 14.8 | 42.2  | 64.9 | 14.9 | 42.2  | 66.0 | 15.0 | 42.2  | 48.3 | 11.3 | 42.3 | 57.6 | 14.9 | 41.6 | 61.8 | 14.4 | 41.6 | 62.4 | 14.7 | 41.6  | 63.2 | 14.7 | 41.6  | 64.7 | 14.8 | 41.7  | 65.7 | 14.9 | 41.7  |      |
|                 | 96                     | 48.3                       | 14.1   | 47.9 | 57.6 | 18.1 | 44.8 | 59.3 | 14.1 | 44.8  | 60.2 | 14.2 | 44.8  | 61.0 | 14.3 | 44.8  | 62.0 | 14.3 | 44.8 | 63.0 | 14.3 | 44.8 | 48.3 | 13.9 | 47.4 | 57.6 | 17.9 | 44.6 | 59.3 | 13.9 | 44.6 | 60.1 | 14.1 | 44.6  | 60.9 | 14.2 | 44.6  | 61.9 | 14.2 | 44.6 | 62.9 | 14.2 | 44.6 | 48.3 | 13.4 | 46.7 | 57.6 | 17.6 | 44.4 | 59.3 | 13.7 | 44.4 | 60.4 | 14.0 | 44.4  | 61.2 | 14.1 | 44.4  | 62.2 | 14.1 | 44.4  | 63.2 | 14.1 | 44.4  | 48.3 | 13.3 | 46.5 | 57.6 | 17.5 | 44.3 | 59.3 | 13.6 | 44.3 | 60.3 | 13.9 | 44.3  | 61.1 | 14.0 | 44.3  | 62.1 | 14.0 | 44.3  | 63.1 | 14.0 | 44.3  |      |
|                 | 120                    | 48.3                       | 15.9   | 51.8 | 57.6 | 20.6 | 45.9 | 60.2 | 14.2 | 45.9  | 61.1 | 14.3 | 45.9  | 62.0 |      |       |      |      |      |      |      |      |      |      |      |      |      |      |      |      |      |      |      |       |      |      |       |      |      |      |      |      |      |      |      |      |      |      |      |      |      |      |      |      |       |      |      |       |      |      |       |      |      |       |      |      |      |      |      |      |      |      |      |      |      |       |      |      |       |      |      |       |      |      |       |      |

# 4 Capacity tables

## 4 - 2 Cooling capacity tables

| RWEYQ26PY1          |                                 | TC: Total Capacity: kW ; PI: Power Input: kW (compressor + outdoor fan motor) ; OWT: Outlet Water Temperatur: °C |                              |          |           |          |          |           |          |          |           |          |          |           |          |          |           |          |          |           |          |          |           |          |          |           |      |      |      |      |      |      |      |      |      |      |      |      |      |      |      |      |      |      |      |      |
|---------------------|---------------------------------|--|------------------------------|----------|-----------|----------|----------|-----------|----------|----------|-----------|----------|----------|-----------|----------|----------|-----------|----------|----------|-----------|----------|----------|-----------|----------|----------|-----------|------|------|------|------|------|------|------|------|------|------|------|------|------|------|------|------|------|------|------|------|
| Combinatio<br>n (%) | Inlet<br>Water<br>Temp.<br>(°C) | Water<br>Volume<br>(note2)<br>L/min  | Indoor air temperature: °CWB |          |           |          |          |           |          |          |           |          |          |           |          |          |           |          |          |           |          |          |           |          |          |           |      |      |      |      |      |      |      |      |      |      |      |      |      |      |      |      |      |      |      |      |
|                     |                                 |  | 14.0                         |          |           | 16.0     |          |           | 18.0     |          |           | 19.0     |          |           | 21.0     |          |           | 22.0     |          |           | 24.0     |          |           |          |          |           |      |      |      |      |      |      |      |      |      |      |      |      |      |      |      |      |      |      |      |      |
|                     |                                 |  | TC<br>kW                     | PI<br>kW | OWT<br>°C | TC<br>kW | PI<br>kW | OWT<br>°C | TC<br>kW | PI<br>kW | OWT<br>°C | TC<br>kW | PI<br>kW | OWT<br>°C | TC<br>kW | PI<br>kW | OWT<br>°C | TC<br>kW | PI<br>kW | OWT<br>°C | TC<br>kW | PI<br>kW | OWT<br>°C | TC<br>kW | PI<br>kW | OWT<br>°C |      |      |      |      |      |      |      |      |      |      |      |      |      |      |      |      |      |      |      |      |
| 70                  | 10                              | 50   | 33.8                         | 3.53     | 13.6      | 4.49     | 14.3     | 4.68      | 5.57     | 15.0     | 50.1      | 6.15     | 15.4     | 53.3      | 6.77     | 15.7     | 59.8      | 8.09     | 16.5     | 66.3      | 9.54     | 17.2     | 60        | 33.8     | 3.47     | 13.0      | 4.03 | 4.41 | 13.6 | 4.48 | 14.3 | 4.68 | 5.46 | 14.2 | 50.1 | 6.04 | 14.5 | 53.3 | 6.64 | 14.8 | 59.8 | 7.94 | 15.4 | 66.3 | 9.36 | 16.0 |
|                     |                                 | 96   | 33.8                         | 3.31     | 11.8      | 4.03     | 4.20     | 12.2      | 4.68     | 5.20     | 12.6      | 50.1     | 5.74     | 12.8      | 53.3     | 6.31     | 13.0      | 59.8     | 7.54     | 13.4      | 66.3     | 8.89     | 13.7      | 120      | 33.8     | 3.25      | 11.5 | 4.03 | 4.12 | 11.8 | 4.68 | 5.10 | 12.1 | 50.1 | 5.63 | 12.2 | 53.3 | 6.19 | 12.4 | 59.8 | 7.40 | 12.7 | 66.3 | 8.71 | 13.0 |      |
|                     |                                 | 120  | 33.8                         | 3.36     | 16.5      | 4.03     | 4.26     | 16.8      | 4.68     | 5.28     | 17.1      | 50.1     | 5.83     | 17.2      | 53.3     | 6.41     | 17.4      | 59.8     | 7.66     | 17.7      | 66.3     | 9.02     | 18.0      | 50       | 33.8     | 3.65      | 18.6 | 4.03 | 4.64 | 19.3 | 4.68 | 5.76 | 20.0 | 50.1 | 6.37 | 20.4 | 53.3 | 7.00 | 20.8 | 59.8 | 8.38 | 21.5 | 66.3 | 9.88 | 22.3 |      |
|                     | 15                              | 60   | 33.8                         | 3.59     | 18.0      | 4.03     | 4.56     | 18.6      | 4.68     | 5.65     | 19.2      | 50.1     | 6.25     | 19.5      | 53.3     | 6.87     | 19.8      | 59.8     | 8.22     | 20.4      | 66.3     | 9.69     | 21.1      | 96       | 33.8     | 3.42      | 16.9 | 4.03 | 4.34 | 17.2 | 4.68 | 5.38 | 17.6 | 50.1 | 5.94 | 17.8 | 53.3 | 6.54 | 18.0 | 59.8 | 7.81 | 18.4 | 66.3 | 9.20 | 18.8 |      |
|                     |                                 | 120  | 33.8                         | 3.36     | 16.5      | 4.03     | 4.26     | 16.8      | 4.68     | 5.28     | 17.1      | 50.1     | 5.83     | 17.2      | 53.3     | 6.41     | 17.4      | 59.8     | 7.66     | 17.7      | 66.3     | 9.02     | 18.0      | 50       | 33.8     | 3.79      | 23.6 | 4.03 | 4.82 | 24.3 | 4.68 | 5.98 | 25.0 | 50.1 | 6.61 | 25.4 | 53.3 | 7.28 | 25.8 | 59.8 | 8.71 | 26.5 | 66.3 | 10.3 | 27.3 |      |
|                     |                                 | 120  | 33.8                         | 3.49     | 21.5      | 4.03     | 4.43     | 21.8      | 4.68     | 5.48     | 22.1      | 50.1     | 6.06     | 22.2      | 53.3     | 6.66     | 22.4      | 59.8     | 7.96     | 22.7      | 66.3     | 9.38     | 23.0      | 60       | 33.8     | 3.72      | 23.0 | 4.03 | 4.73 | 23.6 | 4.68 | 5.87 | 24.2 | 50.1 | 6.49 | 24.5 | 53.3 | 7.14 | 24.8 | 59.8 | 8.54 | 25.4 | 66.3 | 10.1 | 26.1 |      |
|                     | 20                              | 96   | 33.8                         | 3.55     | 21.9      | 4.03     | 4.51     | 22.2      | 4.68     | 5.59     | 22.6      | 50.1     | 6.17     | 22.8      | 53.3     | 6.79     | 23.0      | 59.8     | 8.11     | 23.4      | 66.3     | 9.56     | 23.8      | 120      | 33.8     | 3.49      | 21.5 | 4.03 | 4.43 | 21.8 | 4.68 | 5.48 | 22.1 | 50.1 | 6.06 | 22.2 | 53.3 | 6.66 | 22.4 | 59.8 | 7.96 | 22.7 | 66.3 | 9.38 | 23.0 |      |
|                     |                                 | 120  | 33.8                         | 3.49     | 21.5      | 4.03     | 4.43     | 21.8      | 4.68     | 5.48     | 22.1      | 50.1     | 6.06     | 22.2      | 53.3     | 6.66     | 22.4      | 59.8     | 7.96     | 22.7      | 66.3     | 9.38     | 23.0      | 50       | 33.8     | 4.42      | 28.7 | 4.03 | 5.64 | 29.4 | 4.68 | 7.02 | 30.1 | 50.1 | 7.77 | 30.5 | 53.3 | 8.56 | 30.9 | 59.8 | 10.3 | 31.7 | 66.3 | 12.1 | 32.5 |      |
|                     |                                 | 120  | 33.8                         | 3.49     | 21.5      | 4.03     | 4.43     | 21.8      | 4.68     | 5.48     | 22.1      | 50.1     | 6.06     | 22.2      | 53.3     | 6.66     | 22.4      | 59.8     | 7.96     | 22.7      | 66.3     | 9.38     | 23.0      | 60       | 33.8     | 4.34      | 28.0 | 4.03 | 5.54 | 28.7 | 4.68 | 6.89 | 29.3 | 50.1 | 7.63 | 29.6 | 53.3 | 8.40 | 29.9 | 59.8 | 10.1 | 30.6 | 66.3 | 11.9 | 31.2 |      |
|                     | 25                              | 96   | 33.8                         | 4.14     | 26.9      | 4.03     | 5.27     | 27.3      | 4.68     | 6.55     | 27.7      | 50.1     | 7.25     | 27.9      | 53.3     | 7.98     | 28.1      | 59.8     | 9.56     | 28.5      | 66.3     | 11.3     | 28.9      | 120      | 33.8     | 4.07      | 26.5 | 4.03 | 5.18 | 26.8 | 4.68 | 6.43 | 27.1 | 50.1 | 7.11 | 27.3 | 53.3 | 7.83 | 27.4 | 59.8 | 9.37 | 27.8 | 66.3 | 11.1 | 28.1 |      |
|                     |                                 | 120  | 33.8                         | 4.07     | 26.5      | 4.03     | 5.18     | 26.8      | 4.68     | 6.43     | 27.1      | 50.1     | 7.11     | 27.3      | 53.3     | 7.83     | 27.4      | 59.8     | 9.37     | 27.8      | 66.3     | 11.1     | 28.1      | 50       | 33.8     | 5.17      | 33.7 | 4.03 | 6.62 | 34.5 | 4.68 | 8.27 | 35.3 | 50.1 | 9.16 | 35.7 | 53.3 | 10.1 | 36.1 | 59.8 | 12.1 | 36.9 | 66.3 | 14.4 | 37.7 |      |
|                     |                                 | 120  | 33.8                         | 4.14     | 26.9      | 4.03     | 5.27     | 27.3      | 4.68     | 6.55     | 27.7      | 50.1     | 7.25     | 27.9      | 53.3     | 7.98     | 28.1      | 59.8     | 9.56     | 28.5      | 66.3     | 11.3     | 28.9      | 60       | 33.8     | 5.08      | 33.1 | 4.03 | 6.50 | 33.7 | 4.68 | 8.12 | 34.4 | 50.1 | 8.99 | 34.7 | 53.3 | 9.92 | 35.0 | 59.8 | 11.9 | 35.7 | 66.3 | 14.1 | 36.4 |      |
| 30                  | 96                              | 33.8   | 4.84                         | 31.9     | 4.03      | 6.19     | 32.3     | 4.68      | 7.72     | 32.7     | 50.1      | 8.55     | 32.9     | 53.3      | 9.42     | 33.1     | 59.8      | 11.9     | 33.5     | 66.3      | 13.4     | 34.0     | 120       | 33.8     | 4.75     | 31.5      | 4.03 | 6.08 | 31.8 | 4.68 | 7.57 | 32.2 | 50.1 | 8.39 | 32.3 | 53.3 | 9.24 | 32.5 | 59.8 | 11.1 | 32.8 | 66.3 | 13.1 | 33.2 |      |      |
|                     | 120                             | 33.8   | 4.75                         | 31.5     | 4.03      | 6.08     | 31.8     | 4.68      | 7.57     | 32.2     | 50.1      | 8.39     | 32.3     | 53.3      | 9.24     | 32.5     | 59.8      | 11.1     | 32.8     | 66.3      | 13.1     | 33.2     | 50        | 33.8     | 6.09     | 38.8      | 4.03 | 7.84 | 39.6 | 4.68 | 9.82 | 40.4 | 50.1 | 10.9 | 40.8 | 53.3 | 12.0 | 41.2 | 59.8 | 14.5 | 42.1 | 66.2 | 17.1 | 43.0 |      |      |
|                     | 120                             | 33.8   | 5.98                         | 38.2     | 4.03      | 7.69     | 38.8     | 4.68      | 9.64     | 39.5     | 50.1      | 10.7     | 39.8     | 53.3      | 11.8     | 40.2     | 59.8      | 14.2     | 40.9     | 66.3      | 16.8     | 41.6     | 96        | 33.8     | 5.70     | 37.0      | 4.03 | 7.32 | 37.4 | 4.68 | 9.16 | 37.8 | 50.1 | 10.2 | 38.0 | 53.3 | 11.2 | 38.2 | 59.8 | 13.5 | 38.6 | 66.3 | 16.0 | 39.1 |      |      |
| 35                  | 96                              | 33.8   | 5.59                         | 36.6     | 4.03      | 7.18     | 36.9     | 4.68      | 8.99     | 37.2     | 50.1      | 9.97     | 37.4     | 53.3      | 11.0     | 37.6     | 59.8      | 13.2     | 37.9     | 66.3      | 15.7     | 38.3     | 120       | 33.8     | 5.59     | 36.6      | 4.03 | 7.18 | 36.9 | 4.68 | 8.99 | 37.2 | 50.1 | 9.97 | 37.4 | 53.3 | 11.0 | 37.6 | 59.8 | 13.2 | 37.9 | 66.3 | 15.7 | 38.3 |      |      |
|                     | 120                             | 33.8   | 5.59                         | 36.6     | 4.03      | 7.18     | 36.9     | 4.68      | 8.99     | 37.2     | 50.1      | 9.97     | 37.4     | 53.3      | 11.0     | 37.6     | 59.8      | 13.2     | 37.9     | 66.3      | 15.7     | 38.3     | 50        | 33.8     | 7.07     | 43.9      | 4.03 | 9.32 | 44.7 | 4.68 | 11.9 | 45.6 | 48.6 | 12.5 | 45.8 | 49.3 | 12.6 | 45.9 | 50.5 | 12.7 | 46.0 | 51.5 | 12.7 | 46.1 |      |      |
|                     | 120                             | 33.8   | 6.95                         | 43.2     | 4.03      | 9.12     | 43.9     | 4.68      | 11.6     | 44.7     | 50.1      | 13.0     | 45.0     | 51.8      | 13.6     | 45.2     | 53.1      | 13.7     | 45.3     | 66.3      | 14.1     | 45.4     | 60        | 33.8     | 6.19     | 42.0      | 4.03 | 8.02 | 42.4 | 4.68 | 10.1 | 42.8 | 50.1 | 11.2 | 43.1 | 53.3 | 12.5 | 43.3 | 59.8 | 15.0 | 43.7 | 61.7 | 15.4 | 43.8 |      |      |
| 40                  | 96                              | 33.8   | 6.00                         | 41.6     | 4.03      | 7.77     | 41.9     | 4.68      | 9.78     | 42.3     | 50.1      | 10.9     | 42.4     | 53.3      | 12.0     | 42.6     | 59.8      | 14.5     | 43.0     | 62.2      | 15.2     | 43.1     | 120       | 33.8     | 6.00     | 41.6      | 4.03 | 7.77 | 41.9 | 4.68 | 9.78 | 42.3 | 50.1 | 10.9 | 42.4 | 53.3 | 12.0 | 42.6 | 59.8 | 14.5 | 43.0 | 62.2 | 15.2 | 43.1 |      |      |
|                     | 120                             | 33.8   | 6.00                         | 41.6     | 4.03      | 7.77     | 41.9     | 4.68      | 9.78     | 42.3     | 50.1      | 10.9     | 42.4     | 53.3      | 12.0     | 42.6     | 59.8      | 14.5     | 43.0     | 62.2      | 15.2     | 43.1     | 50        | 33.8     | 7.84     | 48.9      | 4.03 | 9.32 | 49.7 | 4.68 | 11.9 | 49.1 | 48.6 | 12.5 | 49.3 | 50.5 | 12.7 | 49.5 | 51.5 | 12.7 | 49.6 |      |      |      |      |      |
|                     | 120                             | 33.8   | 7.97                         | 48.3     | 4.03      | 9.26     | 47.5     | 4.68      | 11.4     | 47.9     | 46.6      | 11.5     | 47.9     | 47.3      | 11.5     | 47.9     | 48.4      | 11.6     | 48.0     | 49.3      | 11.7     | 48.0     | 60        | 33.8     | 7.97     | 48.3      | 4.03 | 9.26 | 47.5 | 4.68 | 11.4 | 47.9 | 46.6 | 11.5 | 47.9 | 47.3 | 11.5 | 47.9 | 48.4 | 11.6 | 48.0 | 49.3 | 11.7 | 48.0 |      |      |
| 45                  | 96                              | 33.8   | 7.00                         | 47.0     | 4.03      | 9.26     | 47.5     | 4.68      | 11.4     | 47.9     | 46.6      | 11.5     | 47.9     | 47.3      | 11.5     | 47.9     | 48.4      | 11.6     | 48.0     | 49.3      | 11.7     | 48.0     | 120       | 33.8     | 6.80     | 46.6      | 4.03 | 8.93 | 47.0 | 4.68 | 11.4 | 47.3 | 50.1 | 12.7 | 47.5 | 51.7 | 13.2 | 47.6 | 53.0 | 13.3 | 47.6 | 54.1 | 13.4 | 47.7 |      |      |
|                     | 120                             | 33.8   | 6.80                         | 46.6     | 4.03      | 8.93     | 47.0     | 4.68      | 11.4     | 47.3     | 50.1      | 12.7     | 47.5     | 51.7      | 13.2     | 47.6     | 53.0      | 13.3     | 47.6     | 54.1      | 13.4     | 47.7     | 50        | 28.95    | 2.90     | 13.0      | 34.5 | 3.64 | 13.6 | 40.1 | 4.46 | 14.3 | 42.9 | 4.91 | 14.6 | 45.7 | 5.37 | 14.9 | 51.3 | 6.38 | 15.5 | 56.8 | 7.47 | 16.1 |      |      |
|                     | 120                             | 28.95  | 2.85                         | 12.5     | 34.5      | 3.57     | 13.0     | 40.1      | 4.38     | 13.5     | 42.9      | 4.82     | 13.8     | 45.7      | 5.28     | 14.1     | 51.3      | 6.26     | 14.6     | 56.8      | 7.33     | 15.1     | 60        | 28.95    | 2.85     | 12.5      | 34.5 | 3.64 | 13.6 | 40.1 | 4.46 | 14.3 | 42.9 | 4.91 | 14.6 | 45.7 | 5.37 | 14.9 | 51.3 | 6.38 | 15.5 | 56.8 | 7.47 | 16.1 |      |      |
| 50                  | 96                              | 28.95  | 2.73                         | 11.6     | 34.5      | 3.41     | 11.9     | 40.1      | 4.17     | 12.2     | 42.9      | 4.59     | 12.4     | 45.7      | 5.02     | 12.5     | 51.3      | 5.95     | 12.8     | 56.8      | 6.97     | 13.2     | 120       | 28.95    | 2.68     | 11.3      | 34.5 | 3.35 | 11.5 | 40.1 | 4.10 | 11.8 | 42.9 | 4.50 | 11.9 | 45.7 | 4.93 | 12.0 | 51.3 | 5.84 | 12.3 | 56.8 | 6.84 | 12.5 |      |      |
|                     | 120                             | 28.95  | 2.68                         | 11.3     | 34.5      | 3.35     | 11.5     | 40.1      | 4.10     | 11.8     | 42.9      | 4.50     | 11.9     | 45.7      | 4.93     | 12.0     | 51.3      | 5.84     | 12.3     | 56.8      | 6.84     | 12.5     | 50        | 28.95    | 3.00     | 18.1      | 34.5 | 3.76 | 18.7 | 40.1 | 4.61 | 19.3 | 42.9 | 5.08 | 19.6 | 45.7 | 5.56 | 19.9 | 51.3 | 6.60 | 20.5 | 56.8 | 7.74 | 21.2 |      |      |
|                     | 120                             | 28.95  | 2.95                         | 17.5     |           |          |          |           |          |          |           |          |          |           |          |          |           |          |          |           |          |          |           |          |          |           |      |      |      |      |      |      |      |      |      |      |      |      |      |      |      |      |      |      |      |      |



# 4 Capacity tables

## 4 - 2 Cooling capacity tables

| RWEYQ28PY1      |                        | TC: Total Capacity: kW ; PI: Power Input: kW (compressor + outdoor fan motor) ; OWT: Outlet Water Temperatur: °C |                              |      |      |      |       |      |      |      |      |      |       |      |      |      |      |      |      |      |      |      |      |  |  |  |
|-----------------|------------------------|--|------------------------------|------|------|------|-------|------|------|------|------|------|-------|------|------|------|------|------|------|------|------|------|------|--|--|--|
| Combination (%) | Inlet Water Temp. (°C) | Water Volume (l/min)   | Indoor air temperature: °CWB |      |      |      |       |      |      |      |      |      |       |      |      |      |      |      |      |      |      |      |      |  |  |  |
|                 |                        |  | 14.0                         |      |      | 16.0 |       |      | 18.0 |      |      | 19.0 |       |      | 20.0 |      |      | 22.0 |      |      | 24.0 |      |      |  |  |  |
|                 |                        |  | TC                           | PI   | OWT  | TC   | PI    | OWT  | TC   | PI   | OWT  | TC   | PI    | OWT  | TC   | PI   | OWT  | TC   | PI   | OWT  | TC   | PI   | OWT  |  |  |  |
| 130             | 10                     | 50   | 66.5                         | 9.58 | 17.3 | 69.3 | 12.75 | 18.8 | 86.7 | 13.5 | 19.6 | 87.9 | 13.5  | 19.7 | 89.1 | 13.6 | 19.8 | 91.1 | 13.7 | 20.0 | 92.7 | 13.7 | 20.2 |  |  |  |
|                 |                        | 60   | 66.5                         | 9.40 | 16.0 | 79.3 | 12.51 | 17.3 | 87.1 | 13.4 | 18.0 | 88.4 | 13.4  | 18.1 | 89.5 | 13.5 | 18.2 | 91.6 | 13.6 | 18.4 | 93.1 | 13.6 | 18.5 |  |  |  |
|                 |                        | 96   | 66.5                         | 8.93 | 13.8 | 79.3 | 11.87 | 14.5 | 88.2 | 13.0 | 15.0 | 89.5 | 13.0  | 15.1 | 90.7 | 13.1 | 15.2 | 92.7 | 13.2 | 15.3 | 94.4 | 13.2 | 15.4 |  |  |  |
|                 |                        | 120  | 66.5                         | 8.75 | 13.0 | 79.3 | 11.63 | 13.6 | 88.6 | 12.9 | 14.0 | 89.9 | 12.9  | 14.1 | 91.1 | 13.0 | 14.1 | 93.2 | 13.0 | 14.2 | 94.9 | 13.1 | 14.3 |  |  |  |
|                 | 15                     | 50   | 66.5                         | 9.92 | 23.0 | 79.3 | 13.2  | 23.8 | 85.1 | 13.9 | 24.5 | 86.4 | 13.9  | 24.6 | 87.5 | 14.0 | 24.7 | 89.4 | 14.1 | 24.9 | 90.9 | 14.1 | 25.0 |  |  |  |
|                 |                        | 60   | 66.5                         | 9.73 | 21.1 | 79.3 | 13.0  | 22.3 | 85.5 | 13.7 | 22.9 | 86.8 | 13.8  | 23.0 | 87.9 | 13.9 | 23.1 | 89.8 | 13.9 | 23.3 | 91.3 | 14.0 | 23.4 |  |  |  |
|                 |                        | 96   | 66.5                         | 9.24 | 18.8 | 79.3 | 12.3  | 19.6 | 86.6 | 13.4 | 20.0 | 87.9 | 13.4  | 20.0 | 89.0 | 13.5 | 20.1 | 91.0 | 13.6 | 20.2 | 92.6 | 13.6 | 20.3 |  |  |  |
|                 |                        | 120  | 66.5                         | 9.06 | 18.0 | 79.3 | 12.0  | 18.6 | 87.0 | 13.2 | 19.0 | 88.3 | 13.3  | 19.0 | 89.4 | 13.3 | 19.1 | 91.4 | 13.4 | 19.2 | 93.0 | 13.5 | 19.2 |  |  |  |
|                 | 20                     | 50   | 66.5                         | 10.3 | 27.3 | 79.3 | 13.7  | 28.9 | 83.1 | 14.3 | 29.3 | 84.3 | 14.34 | 29.4 | 85.4 | 14.4 | 29.5 | 87.2 | 14.5 | 29.7 | 88.5 | 14.5 | 29.8 |  |  |  |
|                 |                        | 60   | 66.5                         | 10.1 | 26.1 | 79.3 | 13.5  | 27.4 | 83.5 | 14.1 | 27.8 | 84.7 | 14.2  | 27.9 | 85.8 | 14.3 | 28.0 | 87.6 | 14.3 | 28.1 | 89.0 | 14.4 | 28.2 |  |  |  |
|                 |                        | 96   | 66.5                         | 9.60 | 23.8 | 79.3 | 12.8  | 24.6 | 84.6 | 13.8 | 24.9 | 85.8 | 13.8  | 25.0 | 86.9 | 13.9 | 25.0 | 88.8 | 14.0 | 25.1 | 90.2 | 14.0 | 25.2 |  |  |  |
|                 |                        | 120  | 66.5                         | 9.42 | 23.0 | 79.3 | 12.5  | 23.7 | 85.0 | 13.6 | 23.9 | 86.2 | 13.7  | 24.0 | 87.3 | 13.7 | 24.0 | 89.2 | 13.8 | 24.1 | 90.7 | 13.9 | 24.2 |  |  |  |
| 25              | 50                     | 66.5   | 12.2                         | 32.5 | 78.1 | 15.7 | 34.0  | 80.7 | 15.9 | 34.2 | 81.8 | 15.9 | 34.3  | 82.8 | 16.0 | 34.4 | 84.4 | 16.1 | 34.6 | 85.6 | 16.1 | 34.7 |      |  |  |  |
|                 | 60                     | 66.5   | 11.9                         | 31.2 | 78.4 | 15.6 | 32.5  | 81.1 | 15.7 | 32.7 | 82.2 | 15.8 | 32.8  | 83.2 | 15.8 | 32.9 | 84.9 | 15.9 | 33.0 | 86.0 | 16.0 | 33.1 |      |  |  |  |
|                 | 96                     | 66.5   | 11.3                         | 28.9 | 79.3 | 15.1 | 29.7  | 82.1 | 15.3 | 29.8 | 83.2 | 15.4 | 29.9  | 84.3 | 15.4 | 30.0 | 86.0 | 15.5 | 30.1 | 87.2 | 15.6 | 30.1 |      |  |  |  |
|                 | 120                    | 66.5   | 11.1                         | 28.1 | 79.3 | 14.8 | 28.7  | 82.5 | 15.1 | 28.9 | 83.6 | 15.2 | 28.9  | 84.7 | 15.3 | 29.0 | 86.4 | 15.3 | 29.1 | 87.7 | 15.4 | 29.1 |      |  |  |  |
| 30              | 50                     | 66.5   | 14.4                         | 37.7 | 75.3 | 17.3 | 38.8  | 77.7 | 17.5 | 39.1 | 78.8 | 17.6 | 39.2  | 79.7 | 17.6 | 39.3 | 81.1 | 17.7 | 39.4 | 82.0 | 17.7 | 39.5 |      |  |  |  |
|                 | 60                     | 66.5   | 14.1                         | 36.4 | 75.6 | 17.1 | 37.4  | 78.1 | 17.3 | 37.6 | 79.1 | 17.4 | 37.7  | 80.1 | 17.4 | 37.8 | 81.5 | 17.5 | 37.9 | 82.5 | 17.5 | 38.0 |      |  |  |  |
|                 | 96                     | 66.5   | 13.4                         | 34.0 | 76.6 | 16.7 | 34.6  | 79.1 | 16.8 | 34.8 | 80.2 | 16.9 | 34.8  | 81.1 | 17.0 | 34.9 | 82.6 | 17.1 | 35.0 | 83.7 | 17.1 | 35.0 |      |  |  |  |
|                 | 120                    | 66.5   | 13.1                         | 33.2 | 76.9 | 16.5 | 33.7  | 79.5 | 16.7 | 33.8 | 80.5 | 16.7 | 33.9  | 81.5 | 16.8 | 33.9 | 83.1 | 16.9 | 34.0 | 84.1 | 16.9 | 34.0 |      |  |  |  |
| 35              | 50                     | 66.5   | 17.2                         | 43.0 | 72.0 | 18.9 | 43.7  | 74.3 | 19.1 | 43.9 | 75.2 | 19.2 | 44.0  | 76.0 | 19.2 | 44.1 | 77.2 | 19.3 | 44.2 | 77.8 | 19.3 | 44.3 |      |  |  |  |
|                 | 60                     | 66.5   | 16.9                         | 41.6 | 72.4 | 18.7 | 42.3  | 74.6 | 18.9 | 42.4 | 75.6 | 19.0 | 42.5  | 76.4 | 19.0 | 42.6 | 77.6 | 19.1 | 42.7 | 78.3 | 19.1 | 42.8 |      |  |  |  |
|                 | 96                     | 66.5   | 16.0                         | 39.1 | 73.3 | 18.2 | 39.6  | 75.6 | 18.4 | 39.7 | 76.5 | 18.5 | 39.7  | 77.4 | 18.5 | 39.8 | 78.7 | 18.6 | 39.8 | 79.4 | 18.6 | 39.9 |      |  |  |  |
|                 | 120                    | 66.5   | 15.7                         | 38.3 | 73.6 | 18.0 | 38.6  | 75.9 | 18.2 | 38.7 | 76.9 | 18.3 | 38.8  | 77.8 | 18.3 | 38.8 | 79.1 | 18.4 | 38.9 | 79.9 | 18.4 | 38.9 |      |  |  |  |
| 40              | 50                     | 54.0   | 13.9                         | 46.5 | 55.7 | 14.1 | 46.7  | 56.6 | 14.1 | 46.8 | 56.8 | 14.1 | 46.8  | 56.8 | 14.0 | 46.8 | 56.8 | 14.0 | 46.8 | 56.8 | 14.0 | 46.8 |      |  |  |  |
|                 | 60                     | 56.9   | 15.1                         | 45.7 | 58.8 | 15.2 | 45.9  | 60.0 | 15.3 | 46.0 | 60.4 | 15.3 | 46.0  | 60.5 | 15.3 | 46.0 | 60.4 | 15.1 | 46.0 | 59.6 | 15.0 | 45.9 |      |  |  |  |
|                 | 96                     | 64.6   | 16.9                         | 44.1 | 67.1 | 17.1 | 44.2  | 69.0 | 17.2 | 44.3 | 69.8 | 17.3 | 44.3  | 70.4 | 17.3 | 44.4 | 71.1 | 17.3 | 44.4 | 71.3 | 17.2 | 44.4 |      |  |  |  |
|                 | 120                    | 65.2   | 16.6                         | 43.3 | 67.7 | 16.8 | 43.4  | 69.7 | 16.9 | 43.4 | 70.4 | 17.0 | 43.5  | 71.0 | 17.0 | 43.5 | 71.9 | 17.0 | 43.5 | 72.1 | 17.0 | 43.5 |      |  |  |  |
| 45              | 50                     | 37.8   | 8.80                         | 49.5 | 37.4 | 8.68 | 49.4  | 35.9 | 8.43 | 49.2 | 34.7 | 8.26 | 49.1  | 33.3 | 8.06 | 48.9 | 29.6 | 7.56 | 48.5 | 24.8 | 6.95 | 48.0 |      |  |  |  |
|                 | 60                     | 41.5   | 9.72                         | 49.1 | 41.7 | 9.66 | 49.1  | 40.8 | 9.48 | 49.0 | 40.0 | 9.35 | 48.9  | 39.0 | 9.20 | 48.8 | 36.2 | 8.80 | 48.6 | 32.4 | 8.30 | 48.2 |      |  |  |  |
|                 | 96                     | 51.7   | 12.8                         | 48.2 | 53.2 | 12.8 | 48.3  | 53.8 | 12.8 | 48.3 | 53.9 | 12.8 | 48.3  | 53.7 | 12.7 | 48.3 | 52.8 | 12.6 | 48.3 | 51.2 | 12.3 | 48.2 |      |  |  |  |
|                 | 120                    | 56.7   | 14.7                         | 47.8 | 58.6 | 14.8 | 47.9  | 59.8 | 14.9 | 48.0 | 60.2 | 14.9 | 48.0  | 60.3 | 14.8 | 48.0 | 60.2 | 14.7 | 48.0 | 59.3 | 14.6 | 47.9 |      |  |  |  |
| 120             | 10                     | 50   | 61.4                         | 8.44 | 16.7 | 73.2 | 11.18 | 18.1 | 85.0 | 13.4 | 19.4 | 86.4 | 13.5  | 19.5 | 87.6 | 13.5 | 19.7 | 89.7 | 13.6 | 19.9 | 91.5 | 13.7 | 20.1 |  |  |  |
|                 |                        | 60   | 61.4                         | 8.29 | 15.5 | 73.2 | 10.97 | 16.7 | 85.0 | 13.2 | 17.8 | 86.8 | 13.3  | 18.0 | 88.0 | 13.4 | 18.1 | 90.2 | 13.5 | 18.3 | 91.9 | 13.6 | 18.4 |  |  |  |
|                 |                        | 96   | 61.4                         | 7.87 | 13.4 | 73.2 | 10.41 | 14.2 | 85.0 | 12.8 | 14.9 | 87.9 | 13.0  | 15.0 | 89.1 | 13.0 | 15.1 | 91.3 | 13.1 | 15.2 | 93.1 | 13.2 | 15.3 |  |  |  |
|                 |                        | 120  | 61.4                         | 7.72 | 12.8 | 73.2 | 10.21 | 13.3 | 85.0 | 12.7 | 13.9 | 88.3 | 12.8  | 14.0 | 89.5 | 12.9 | 14.1 | 91.7 | 13.0 | 14.2 | 93.6 | 13.1 | 14.2 |  |  |  |
|                 | 15                     | 50   | 61.4                         | 8.74 | 21.7 | 73.2 | 11.6  | 23.1 | 83.6 | 13.8 | 24.3 | 84.9 | 13.9  | 24.4 | 86.1 | 13.9 | 24.6 | 88.1 | 14.0 | 24.8 | 89.7 | 14.1 | 24.9 |  |  |  |
|                 |                        | 60   | 61.4                         | 8.58 | 20.6 | 73.2 | 11.4  | 21.7 | 84.0 | 13.7 | 22.8 | 85.3 | 13.7  | 22.9 | 86.5 | 13.8 | 23.0 | 88.5 | 13.9 | 23.2 | 90.2 | 14.0 | 23.3 |  |  |  |
|                 |                        | 96   | 61.4                         | 8.15 | 18.5 | 73.2 | 10.78 | 19.2 | 85.0 | 13.3 | 19.9 | 86.3 | 13.4  | 20.0 | 87.5 | 13.4 | 20.0 | 89.6 | 13.5 | 20.1 | 91.4 | 13.6 | 20.2 |  |  |  |
|                 |                        | 120  | 61.4                         | 7.99 | 17.8 | 73.2 | 10.57 | 18.3 | 85.0 | 13.1 | 18.9 | 86.7 | 13.2  | 19.0 | 87.9 | 13.3 | 19.0 | 90.1 | 13.4 | 19.1 | 91.8 | 13.4 | 19.2 |  |  |  |
|                 | 20                     | 50   | 61.4                         | 9.08 | 26.7 | 73.2 | 12.0  | 28.1 | 81.7 | 14.2 | 29.2 | 82.9 | 14.3  | 29.3 | 84.0 | 14.3 | 29.4 | 86.0 | 14.4 | 29.6 | 87.5 | 14.5 | 29.7 |  |  |  |
|                 |                        | 60   | 61.4                         | 8.91 | 25.6 | 73.2 | 11.8  | 26.8 | 82.1 | 14.1 | 27.7 | 83.3 | 14.1  | 27.8 | 84.4 | 14.2 | 27.9 | 86.4 | 14.3 | 28.0 | 87.9 | 14.4 | 28.1 |  |  |  |
|                 |                        | 96   | 61.4                         | 8.47 | 23.5 | 73.2 | 11.2  | 24.2 | 83.1 | 13.7 | 24.8 | 84.3 | 13.7  | 24.9 | 85.5 | 13.8 | 24.9 | 87.5 | 13.9 | 25.0 | 89.1 | 14.0 | 25.1 |  |  |  |
|                 |                        | 120  | 61.4                         | 8.30 | 22.8 | 73.2 | 11.0  | 23.4 | 83.5 | 13.5 | 23.9 | 84.7 | 13.6  | 23.9 | 85.9 | 13.7 | 24.0 | 87.9 | 13.8 | 24.0 | 89.6 | 13.8 | 24.1 |  |  |  |
| 25              | 50                     | 61.4   | 10.7                         | 31.9 | 73.2 | 14.2 | 33.4  | 79.3 | 15.8 | 34.1 | 80.5 | 15.9 | 34.2  | 81.5 | 15.9 | 34.3 | 83.3 | 16.0 | 34.5 | 84.7 | 16.1 | 34.6 |      |  |  |  |
|                 | 60                     | 61.4   | 10.5                         | 30.7 | 73.2 | 13.9 | 31.9  | 79.7 | 15.6 | 32.6 | 80.8 | 15.7 | 32.7  | 81.9 | 15.8 | 32.8 | 83.7 | 15.9 | 32.9 | 85.1 | 15.9 | 33.1 |      |  |  |  |
|                 | 96                     | 61.4   | 9.97                         | 28.6 | 73.2 | 13.2 | 29.3  | 80.7 | 15.2 | 29.8 | 81.8 | 15.3 | 29.8  | 82.9 | 15.3 | 29.9 | 84.8 | 15.4 | 30.0 | 86.3 | 15.5 | 30.1 |      |  |  |  |
|                 | 120                    | 61.4   | 9.78                         | 27.8 | 73.2 | 13.0 | 28.4  | 81.0 | 15.0 | 28.8 | 82.2 | 15.1 | 28.9  | 83.3 | 15.2 | 28.9 | 85.2 | 15.3 | 29.0 | 86.7 | 15.4 | 29.1 |      |  |  |  |
| 30              | 50                     | 61.4   | 12.7                         | 37.1 | 73.2 | 16.9 | 38.6  | 76.4 | 17.4 | 39.0 | 77.5 | 17.5 | 39.1  | 78.5 | 17.5 | 39.2 | 80.1 | 17.6 | 39.3 | 81.4 | 17.7 | 39.5 |      |  |  |  |
|                 | 60                     | 61.4   | 12.4                         | 35.9 | 73.2 | 16.5 | 37.1  | 76.8 | 17.2 | 37.5 | 77.9 | 17.3 | 37.6  | 78.9 | 17.4 | 37.7 | 80.5 | 17.5 | 37.8 | 81.8 | 17.5 | 37.9 |      |  |  |  |
|                 | 96                     | 61.4   | 11.8                         | 33.6 | 73.2 | 15.7 | 34.4  | 77.8 | 16.8 | 34.7 | 78.9 | 16.8 | 34.8  | 79.9 | 16.9 | 34.8 | 81.6 | 17.0 | 34.9 | 82.9 | 17.1 | 35.0 |      |  |  |  |
|                 | 120                    | 61.4   | 11.6                         | 32.9 | 73.2 | 15.4 | 33.5  | 78.1 | 16.6 | 33.8 | 79.2 | 16.7 | 33.8  | 80.3 |      |      |      |      |      |      |      |      |      |  |  |  |

# 4 Capacity tables

## 4 - 2 Cooling capacity tables

| RWEYQ28PY1      |                        | TC: Total Capacity: kW ; PI: Power Input: kW (compressor + outdoor fan motor) ; OWT: Outlet Water Temperatur: °C |                              |      |      |      |      |      |      |       |        |      |       |      |      |       |      |      |      |      |      |      |      |
|-----------------|------------------------|--|------------------------------|------|------|------|------|------|------|-------|--------|------|-------|------|------|-------|------|------|------|------|------|------|------|
| Combination (%) | Inlet Water Temp. (°C) | Water Volume (note2) L/min   | Indoor air temperature: °CWB |      |      |      |      |      |      |       |        |      |       |      |      |       |      |      |      |      |      |      |      |
|                 |                        |  | 14.0                         |      |      | 16.0 |      |      | 18.0 |       |        | 19.0 |       |      | 20.0 |       |      | 22.0 |      |      | 24.0 |      |      |
|                 |                        |  | TC                           | PI   | OWT  | TC   | PI   | OWT  | TC   | PI    | OWT    | TC   | PI    | OWT  | TC   | PI    | OWT  | TC   | PI   | OWT  | TC   | PI   | OWT  |
| 100             | 10                     | 50   | 51.2                         | 6.39 | 15.5 | 61.0 | 8.36 | 16.6 | 70.9 | 10.61 | 17.8   | 75.8 | 11.83 | 18.4 | 80.7 | 13.1  | 19.0 | 86.3 | 13.5 | 19.5 | 88.3 | 13.6 | 19.7 |
|                 |                        | 60   | 51.2                         | 6.28 | 14.6 | 61.0 | 8.21 | 15.5 | 70.9 | 10.41 | 16.5   | 75.8 | 11.61 | 17.0 | 80.7 | 12.88 | 17.5 | 86.7 | 13.3 | 18.0 | 88.7 | 13.4 | 18.1 |
|                 |                        | 96   | 51.2                         | 5.97 | 12.8 | 61.0 | 7.80 | 13.4 | 70.9 | 9.88  | 14.0   | 75.8 | 11.02 | 14.3 | 80.7 | 12.22 | 14.6 | 87.8 | 13.0 | 15.0 | 89.8 | 13.1 | 15.1 |
|                 |                        | 120  | 51.2                         | 5.86 | 12.3 | 61.0 | 7.65 | 12.7 | 70.9 | 9.69  | 13.2   | 75.8 | 10.80 | 13.4 | 80.7 | 11.98 | 13.7 | 88.2 | 12.8 | 14.0 | 90.2 | 12.9 | 14.1 |
|                 | 15                     | 50   | 51.2                         | 6.62 | 20.5 | 61.0 | 8.66 | 21.7 | 70.9 | 10.98 | 22.8   | 75.8 | 12.3  | 23.4 | 80.7 | 13.6  | 24.0 | 84.8 | 13.9 | 24.4 | 86.7 | 14.0 | 24.6 |
|                 |                        | 60   | 51.2                         | 6.50 | 19.6 | 61.0 | 8.50 | 20.5 | 70.9 | 10.78 | 21.5   | 75.8 | 12.0  | 22.0 | 80.7 | 13.3  | 22.5 | 85.2 | 13.7 | 22.9 | 87.1 | 13.8 | 23.0 |
|                 |                        | 96   | 51.2                         | 6.18 | 17.9 | 61.0 | 8.07 | 18.4 | 70.9 | 10.23 | 19.0   | 75.8 | 11.4  | 19.3 | 80.7 | 12.7  | 19.6 | 86.3 | 13.4 | 20.0 | 88.2 | 13.4 | 20.1 |
|                 |                        | 120  | 51.2                         | 6.06 | 17.3 | 61.0 | 7.92 | 17.7 | 70.9 | 10.03 | 18.2   | 75.8 | 11.18 | 18.5 | 80.7 | 12.4  | 18.7 | 86.7 | 13.2 | 19.0 | 88.6 | 13.3 | 19.1 |
|                 | 20                     | 50   | 51.2                         | 6.87 | 25.5 | 61.0 | 9.00 | 26.7 | 70.9 | 11.4  | 27.9   | 75.8 | 12.7  | 28.5 | 80.7 | 14.1  | 29.1 | 82.8 | 14.3 | 29.3 | 84.6 | 14.4 | 29.5 |
|                 |                        | 60   | 51.2                         | 6.75 | 24.6 | 61.0 | 8.83 | 25.6 | 70.9 | 11.2  | 26.5   | 75.8 | 12.5  | 27.0 | 80.7 | 13.9  | 27.5 | 83.2 | 14.1 | 27.8 | 85.0 | 14.2 | 27.9 |
|                 |                        | 96   | 51.2                         | 6.42 | 22.9 | 61.0 | 8.39 | 23.5 | 70.9 | 10.6  | 24.1   | 75.8 | 11.9  | 24.4 | 80.7 | 13.2  | 24.7 | 84.2 | 13.7 | 24.9 | 86.1 | 13.8 | 25.0 |
|                 |                        | 120  | 51.2                         | 6.30 | 22.3 | 61.0 | 8.23 | 22.8 | 70.9 | 10.4  | 23.2   | 75.8 | 11.6  | 23.5 | 80.7 | 12.9  | 23.7 | 84.6 | 13.6 | 23.9 | 86.5 | 13.7 | 24.0 |
| 25              | 50                     | 51.2   | 8.07                         | 30.7 | 61.0 | 10.6 | 31.8 | 70.9 | 13.5 | 33.1  | 75.8   | 15.0 | 33.7  | 80.7 | 15.7 | 34.0  | 80.4 | 15.9 | 34.2 | 82.1 | 16.0 | 34.4 |      |
|                 | 60                     | 51.2   | 7.92                         | 29.7 | 61.0 | 10.4 | 30.7 | 70.9 | 13.2 | 31.7  | 75.8   | 14.8 | 32.2  | 78.8 | 15.6 | 32.5  | 80.8 | 15.7 | 32.7 | 82.5 | 15.8 | 32.8 |      |
|                 | 96                     | 51.2   | 7.53                         | 27.9 | 61.0 | 9.87 | 28.5 | 70.9 | 12.5 | 29.2  | 75.8   | 14.0 | 29.5  | 79.7 | 15.1 | 29.7  | 81.8 | 15.3 | 29.8 | 83.5 | 15.4 | 29.9 |      |
|                 | 120                    | 51.2   | 7.39                         | 27.3 | 61.0 | 9.68 | 27.8 | 70.9 | 12.3 | 28.3  | 75.8   | 13.7 | 28.6  | 80.1 | 15.0 | 28.8  | 82.2 | 15.1 | 28.9 | 83.9 | 15.2 | 28.9 |      |
| 30              | 50                     | 51.2   | 9.51                         | 35.8 | 61.0 | 12.5 | 37.0 | 70.9 | 16.0 | 38.3  | 74.5   | 17.3 | 38.8  | 75.6 | 17.3 | 38.9  | 77.5 | 17.5 | 39.1 | 79.0 | 17.6 | 39.2 |      |
|                 | 60                     | 51.2   | 9.34                         | 34.8 | 61.0 | 12.3 | 35.8 | 70.9 | 15.7 | 36.9  | 74.9   | 17.1 | 37.3  | 75.9 | 17.2 | 37.4  | 77.8 | 17.3 | 37.6 | 79.4 | 17.4 | 37.7 |      |
|                 | 96                     | 51.2   | 8.88                         | 33.0 | 61.0 | 11.7 | 33.6 | 70.9 | 14.9 | 34.4  | 75.8   | 16.6 | 34.6  | 76.9 | 16.7 | 34.7  | 78.8 | 16.8 | 34.8 | 80.5 | 16.9 | 34.8 |      |
|                 | 120                    | 51.2   | 8.71                         | 32.4 | 61.0 | 11.4 | 32.9 | 70.9 | 14.6 | 33.3  | 75.8   | 16.3 | 33.7  | 77.2 | 16.5 | 33.7  | 79.2 | 16.6 | 33.8 | 80.8 | 16.8 | 33.9 |      |
| 35              | 50                     | 51.2   | 11.3                         | 41.0 | 61.0 | 14.9 | 42.3 | 70.9 | 18.8 | 43.5  | 71.3   | 18.9 | 43.6  | 72.3 | 18.9 | 43.7  | 74.0 | 19.1 | 43.9 | 75.4 | 19.2 | 44.0 |      |
|                 | 60                     | 51.2   | 11.1                         | 40.0 | 61.0 | 14.7 | 41.0 | 70.9 | 18.6 | 42.1  | 71.6   | 18.7 | 42.2  | 72.6 | 18.8 | 42.3  | 74.4 | 18.9 | 42.4 | 75.8 | 19.0 | 42.6 |      |
|                 | 96                     | 51.2   | 10.5                         | 38.1 | 61.0 | 13.9 | 38.7 | 70.9 | 17.8 | 39.4  | 72.5   | 18.2 | 39.5  | 73.5 | 18.2 | 39.6  | 75.3 | 18.4 | 39.7 | 76.8 | 18.5 | 39.7 |      |
|                 | 120                    | 51.2   | 10.3                         | 37.4 | 61.0 | 13.6 | 38.0 | 70.9 | 17.4 | 38.5  | 72.9   | 18.0 | 38.6  | 73.9 | 18.1 | 38.7  | 75.7 | 18.2 | 38.7 | 77.2 | 18.3 | 38.8 |      |
| 40              | 50                     | 51.1   | 13.7                         | 46.2 | 53.1 | 13.9 | 46.4 | 54.7 | 14.0 | 46.6  | 55.3   | 14.0 | 46.6  | 55.8 | 14.1 | 46.7  | 56.5 | 14.1 | 46.7 | 56.8 | 14.1 | 46.8 |      |
|                 | 60                     | 51.2   | 13.4                         | 45.1 | 55.8 | 15.0 | 45.6 | 57.6 | 15.1 | 45.8  | 58.3   | 15.2 | 45.9  | 58.9 | 15.2 | 45.9  | 59.9 | 15.3 | 46.0 | 60.4 | 15.3 | 46.0 |      |
|                 | 96                     | 51.2   | 11.7                         | 43.1 | 61.0 | 15.5 | 43.8 | 65.6 | 16.9 | 44.1  | 66.5   | 17.0 | 44.2  | 67.4 | 17.1 | 44.2  | 68.8 | 17.2 | 44.3 | 70.0 | 17.3 | 44.3 |      |
|                 | 120                    | 51.2   | 11.3                         | 42.5 | 61.0 | 15.0 | 43.0 | 66.1 | 16.7 | 43.3  | 67.1   | 16.7 | 43.3  | 68.0 | 16.8 | 43.4  | 69.5 | 16.9 | 43.4 | 70.6 | 17.0 | 43.5 |      |
| 45              | 50                     | 36.9   | 8.80                         | 49.4 | 37.7 | 8.82 | 49.4 | 37.8 | 8.78 | 49.5  | 37.6   | 8.72 | 49.4  | 37.3 | 8.66 | 49.4  | 36.1 | 8.47 | 49.3 | 34.3 | 8.20 | 49.1 |      |
|                 | 60                     | 40.0   | 9.64                         | 49.0 | 41.1 | 9.71 | 49.0 | 41.7 | 9.71 | 49.1  | 41.7   | 9.68 | 49.1  | 41.6 | 9.64 | 49.1  | 41.0 | 9.51 | 49.0 | 39.7 | 9.31 | 48.9 |      |
|                 | 96                     | 49.0   | 12.5                         | 48.1 | 50.9 | 12.7 | 48.2 | 52.3 | 12.8 | 48.2  | 52.8   | 12.8 | 48.3  | 53.3 | 12.8 | 48.3  | 53.8 | 12.8 | 48.3 | 53.8 | 12.8 | 48.3 |      |
|                 | 120                    | 51.2   | 13.1                         | 47.6 | 55.7 | 14.6 | 47.8 | 57.4 | 14.7 | 47.9  | 58.2   | 14.8 | 47.9  | 58.8 | 14.8 | 47.9  | 59.7 | 14.9 | 48.0 | 60.2 | 14.9 | 48.0 |      |
| 90              | 10                     | 50   | 46.0                         | 5.48 | 14.9 | 54.9 | 7.11 | 15.9 | 63.8 | 8.97  | 17.0   | 68.2 | 9.98  | 17.5 | 72.7 | 11.04 | 18.0 | 81.5 | 13.2 | 19.1 | 86.3 | 13.5 | 19.5 |
|                 |                        | 60   | 46.0                         | 5.38 | 14.1 | 54.9 | 6.98 | 14.9 | 63.8 | 8.80  | 15.8   | 68.2 | 9.79  | 16.2 | 72.7 | 10.83 | 16.6 | 81.5 | 13.0 | 17.5 | 86.7 | 13.3 | 18.0 |
|                 |                        | 96   | 46.0                         | 5.12 | 12.5 | 54.9 | 6.64 | 13.1 | 63.8 | 8.36  | 13.6   | 68.2 | 9.29  | 13.9 | 72.7 | 10.28 | 14.1 | 81.5 | 12.4 | 14.7 | 87.8 | 13.0 | 15.0 |
|                 |                        | 120  | 46.0                         | 5.03 | 12.0 | 54.9 | 6.51 | 12.4 | 63.8 | 8.20  | 12.9   | 68.2 | 9.11  | 13.1 | 72.7 | 10.08 | 13.3 | 81.5 | 12.2 | 13.7 | 88.2 | 12.8 | 14.0 |
|                 | 15                     | 50   | 46.0                         | 5.67 | 19.9 | 54.9 | 7.36 | 21.0 | 63.8 | 9.28  | 22.0   | 68.2 | 10.33 | 22.5 | 72.7 | 11.4  | 23.0 | 81.5 | 13.7 | 24.1 | 84.8 | 13.9 | 24.4 |
|                 |                        | 60   | 46.0                         | 5.57 | 19.1 | 54.9 | 7.22 | 19.9 | 63.8 | 9.11  | 20.8   | 68.2 | 10.13 | 21.2 | 72.7 | 11.22 | 21.7 | 81.5 | 13.5 | 22.6 | 85.2 | 13.7 | 22.9 |
|                 |                        | 96   | 46.0                         | 5.30 | 17.6 | 54.9 | 6.87 | 18.1 | 63.8 | 8.65  | 18.6   | 68.2 | 9.62  | 18.9 | 72.7 | 10.65 | 19.1 | 81.5 | 12.9 | 19.7 | 86.2 | 13.4 | 20.0 |
|                 |                        | 120  | 46.0                         | 5.20 | 17.0 | 54.9 | 6.74 | 17.5 | 63.8 | 8.48  | 17.9   | 68.2 | 9.44  | 18.1 | 72.7 | 10.44 | 18.3 | 81.5 | 12.6 | 18.7 | 86.6 | 13.2 | 19.0 |
|                 | 20                     | 50   | 46.0                         | 5.89 | 25.0 | 54.9 | 7.65 | 26.0 | 63.8 | 9.65  | 27.0   | 68.2 | 10.7  | 27.5 | 72.7 | 11.9  | 28.1 | 80.9 | 14.2 | 29.1 | 82.8 | 14.3 | 29.3 |
|                 |                        | 60   | 46.0                         | 5.78 | 24.1 | 54.9 | 7.50 | 25.0 | 63.8 | 9.46  | 25.8   | 68.2 | 10.5  | 26.3 | 72.7 | 11.7  | 26.7 | 81.3 | 14.0 | 27.6 | 83.2 | 14.1 | 27.7 |
|                 |                        | 96   | 46.0                         | 5.50 | 22.6 | 54.9 | 7.14 | 23.1 | 63.8 | 8.99  | 23.6   | 68.2 | 10.0  | 23.9 | 72.7 | 11.1  | 24.2 | 81.5 | 13.4 | 24.7 | 84.2 | 13.7 | 24.9 |
|                 |                        | 120  | 46.0                         | 5.40 | 22.0 | 54.9 | 7.00 | 22.5 | 63.8 | 8.82  | 22.9   | 68.2 | 9.81  | 23.1 | 72.7 | 10.9  | 23.3 | 81.5 | 13.1 | 23.8 | 84.6 | 13.6 | 23.9 |
| 25              | 50                     | 46.0   | 6.90                         | 30.1 | 54.9 | 8.99 | 31.1 | 63.8 | 11.4 | 32.2  | 68.2   | 12.7 | 32.7  | 72.7 | 14.0 | 33.3  | 78.6 | 15.7 | 34.0 | 80.4 | 15.9 | 34.2 |      |
|                 | 60                     | 46.0   | 6.78                         | 29.2 | 54.9 | 8.82 | 30.1 | 63.8 | 11.2 | 31.0  | 68.2   | 12.4 | 31.4  | 72.7 | 13.8 | 31.9  | 78.9 | 15.6 | 32.5 | 80.7 | 15.7 | 32.7 |      |
|                 | 96                     | 46.0   | 6.45                         | 27.6 | 54.9 | 8.39 | 28.2 | 63.8 | 10.6 | 28.7  | 68.2   | 11.8 | 29.0  | 72.7 | 13.1 | 29.3  | 79.9 | 15.2 | 29.7 | 81.7 | 15.3 | 29.8 |      |
|                 | 120                    | 46.0   | 6.33                         | 27.1 | 54.9 | 8.23 | 27.5 | 63.8 | 10.4 | 28.0  | 68.2   | 11.6 | 28.2  | 72.7 | 12.8 | 28.4  | 80.3 | 15.0 | 28.8 | 82.1 | 15.1 | 28.9 |      |
| 30              | 50                     | 46.0   | 8.12                         | 35.2 | 54.9 | 10.6 | 36.3 | 63.8 | 13.5 | 37.4  | 68.2   | 15.0 | 38.0  | 72.7 | 16.6 | 38.5  | 75.7 | 17.3 | 38.9 | 77.4 | 17.5 | 39.1 |      |
|                 | 60                     | 46.0   | 7.97                         | 34.3 | 54.9 | 10.4 | 35.2 | 63.8 | 13.2 | 36.1  | 68.2   | 14.7 | 36.6  | 72.7 | 16.3 | 37.1  | 76.1 | 17.2 | 37.4 | 77.8 | 17.3 | 37.6 |      |
|                 | 96                     | 46.0   | 7.58                         | 32.7 | 54.9 | 9.89 | 33.2 | 63.8 | 12.5 | 33.8  | 68.2   | 14.0 | 34.1  | 72.7 | 15.5 | 34.4  | 77.0 | 16.7 | 34.7 | 78.8 | 16.8 | 34.8 |      |
|                 | 120                    | 46.0   | 7.44                         | 32.1 | 54.9 | 9.70 | 32.6 | 63.8 | 12.3 | 33.0  | 68.2</ |      |       |      |      |       |      |      |      |      |      |      |      |



# 4 Capacity tables

## 4 - 2 Cooling capacity tables

| RWEYQ30PY1          |                                 | TC: Total Capacity: kW ; PI: Power Input: kW (compressor + outdoor fan motor) ; OWT: Outlet Water Temperatur: °C |                              |          |           |          |          |           |          |          |           |          |          |           |          |          |           |          |          |           |          |          |           |      |       |  |
|---------------------|---------------------------------|--|------------------------------|----------|-----------|----------|----------|-----------|----------|----------|-----------|----------|----------|-----------|----------|----------|-----------|----------|----------|-----------|----------|----------|-----------|------|-------|--|
| Combinatio<br>n (%) | Inlet<br>Water<br>Temp.<br>(°C) | Water<br>Volume<br>(note2)<br>L/min  | Indoor air temperature: °CWB |          |           |          |          |           |          |          |           |          |          |           |          |          |           |          |          |           |          |          |           |      |       |  |
|                     |                                 |  | 14.0                         |          |           | 16.0     |          |           | 18.0     |          |           | 19.0     |          |           | 20.0     |          |           | 22.0     |          |           | 24.0     |          |           |      |       |  |
|                     |                                 |  | TC<br>kW                     | PI<br>kW | OWT<br>°C | TC<br>kW | PI<br>kW | OWT<br>°C | TC<br>kW | PI<br>kW | OWT<br>°C | TC<br>kW | PI<br>kW | OWT<br>°C | TC<br>kW | PI<br>kW | OWT<br>°C | TC<br>kW | PI<br>kW | OWT<br>°C | TC<br>kW | PI<br>kW | OWT<br>°C |      |       |  |
| 10                  | 50                              | 70.3   | 10.4                         | 17.7     | 83.8      | 13.9     | 19.3     | 91.6      | 14.7     | 20.2     | 92.9      | 14.8     | 20.3     | 94.2      | 14.8     | 20.4     | 96.3      | 14.9     | 20.6     | 97.9      | 15.0     | 20.8     | 99.0      |      |       |  |
|                     | 60                              | 70.3   | 10.2                         | 16.4     | 83.8      | 13.6     | 17.8     | 92.0      | 14.5     | 18.5     | 93.4      | 14.6     | 18.6     | 94.6      | 14.7     | 18.7     | 96.7      | 14.8     | 18.9     | 98.4      | 14.8     | 19.0     | 99.7      |      |       |  |
|                     | 96                              | 70.3   | 9.72                         | 14.0     | 83.8      | 12.92    | 14.8     | 93.2      | 14.1     | 15.3     | 94.5      | 14.2     | 15.4     | 95.8      | 14.3     | 15.5     | 98.0      | 14.4     | 15.6     | 99.7      | 14.4     | 15.7     | 100.0     |      |       |  |
|                     | 120                             | 70.3   | 9.53                         | 13.2     | 83.8      | 12.67    | 13.8     | 93.6      | 14.0     | 14.3     | 95.0      | 14.1     | 14.3     | 96.3      | 14.1     | 14.4     | 98.5      | 14.2     | 14.5     | 100       | 14.3     | 14.6     | 100       |      |       |  |
|                     | 15                              | 50   | 70.3                         | 10.8     | 22.7      | 83.8     | 14.4     | 24.4      | 90.0     | 15.1     | 25.0      | 91.3     | 15.2     | 25.2      | 92.4     | 15.2     | 25.3      | 94.5     | 15.3     | 25.5      | 96.0     | 15.4     | 25.6      | 97.9 |       |  |
|                     |                                 | 60   | 70.3                         | 10.6     | 21.4      | 83.8     | 14.1     | 22.8      | 90.4     | 15.0     | 23.4      | 91.7     | 15.0     | 23.5      | 92.9     | 15.1     | 23.6      | 94.9     | 15.2     | 23.8      | 96.5     | 15.2     | 23.9      | 98.4 |       |  |
|                     |                                 | 96   | 70.3                         | 10.1     | 19.0      | 83.8     | 13.4     | 19.8      | 91.5     | 14.6     | 20.3      | 92.8     | 14.6     | 20.3      | 94.1     | 14.7     | 20.4      | 96.2     | 14.8     | 20.5      | 97.8     | 14.8     | 20.6      | 99.0 |       |  |
|                     |                                 | 120  | 70.3                         | 9.87     | 18.2      | 83.8     | 13.1     | 18.9      | 91.9     | 14.4     | 19.2      | 93.3     | 14.5     | 19.3      | 94.5     | 14.5     | 19.3      | 96.6     | 14.6     | 19.4      | 98.3     | 14.7     | 19.5      | 100  |       |  |
|                     |                                 | 20   | 50                           | 70.3     | 11.2      | 27.8     | 83.8     | 15.0      | 29.4     | 87.8     | 15.6      | 29.9     | 89.1     | 15.6      | 30.0     | 90.2     | 15.7      | 30.1     | 92.1     | 15.8      | 30.3     | 93.5     | 15.8      | 30.5 | 95.0  |  |
|                     |                                 |  | 60                           | 70.3     | 11.0      | 26.5     | 83.8     | 14.7      | 27.8     | 88.3     | 15.4      | 28.3     | 89.5     | 15.5      | 28.4     | 90.7     | 15.5      | 28.5     | 92.6     | 15.6      | 28.6     | 94.0     | 15.7      | 28.7 | 95.5  |  |
|                     |                                 |  | 96                           | 70.3     | 10.5      | 24.0     | 83.8     | 13.9      | 24.9     | 89.4     | 15.0      | 25.2     | 90.6     | 15.0      | 25.3     | 91.8     | 15.1      | 25.3     | 93.8     | 15.2      | 25.4     | 95.3     | 15.3      | 25.5 | 97.0  |  |
|                     |                                 |  | 120                          | 70.3     | 10.3      | 23.2     | 83.8     | 13.6      | 23.9     | 89.8     | 14.8      | 24.2     | 91.1     | 14.9      | 24.2     | 92.3     | 14.9      | 24.3     | 94.3     | 15.0      | 24.4     | 95.8     | 15.1      | 24.4 | 97.5  |  |
| 25                  |                                 |  | 50                           | 70.3     | 13.2      | 33.0     | 82.5     | 17.1      | 34.5     | 85.3     | 17.3      | 34.8     | 86.4     | 17.4      | 34.9     | 87.5     | 17.4      | 35.0     | 89.2     | 17.5      | 35.2     | 90.4     | 17.6      | 35.3 | 92.0  |  |
|                     |                                 |  | 60                           | 70.3     | 13.0      | 31.6     | 82.9     | 16.9      | 33.0     | 85.7     | 17.1      | 33.2     | 86.8     | 17.2      | 33.3     | 87.9     | 17.3      | 33.4     | 89.7     | 17.4      | 33.5     | 90.9     | 17.4      | 33.6 | 92.5  |  |
|                     |                                 |  | 96                           | 70.3     | 12.3      | 29.1     | 83.8     | 16.4      | 30.0     | 86.7     | 16.7      | 30.1     | 87.9     | 16.7      | 30.2     | 89.0     | 16.8      | 30.3     | 90.9     | 16.9      | 30.4     | 92.2     | 16.9      | 30.4 | 94.0  |  |
|                     |                                 |  | 120                          | 70.3     | 12.1      | 28.3     | 83.8     | 16.1      | 29.0     | 87.1     | 16.5      | 29.1     | 88.4     | 16.6      | 29.2     | 89.5     | 16.6      | 29.2     | 91.3     | 16.7      | 29.3     | 92.7     | 16.8      | 29.4 | 94.5  |  |
|                     | 30                              |  | 50                           | 70.3     | 15.7      | 38.2     | 79.6     | 18.9      | 39.4     | 82.1     | 19.0      | 39.7     | 83.2     | 19.1      | 39.8     | 84.2     | 19.2      | 39.9     | 85.7     | 19.3      | 40.0     | 86.7     | 19.3      | 40.1 | 88.5  |  |
|                     |                                 |  | 60                           | 70.3     | 15.4      | 36.8     | 79.9     | 18.7      | 37.9     | 82.5     | 18.9      | 38.1     | 83.6     | 18.9      | 38.2     | 84.6     | 19.0      | 38.3     | 86.1     | 19.1      | 38.4     | 87.2     | 19.1      | 38.5 | 89.5  |  |
|                     |                                 |  | 96                           | 70.3     | 14.6      | 34.2     | 80.9     | 18.2      | 34.9     | 83.6     | 18.3      | 35.1     | 84.7     | 18.4      | 35.1     | 85.7     | 18.5      | 35.2     | 87.3     | 18.6      | 35.3     | 88.4     | 18.6      | 35.3 | 91.5  |  |
|                     |                                 |  | 120                          | 70.3     | 14.3      | 33.4     | 81.3     | 18.0      | 34.0     | 84.0     | 18.2      | 34.1     | 85.1     | 18.2      | 34.1     | 86.1     | 18.3      | 34.2     | 87.8     | 18.4      | 34.2     | 88.9     | 18.4      | 34.3 | 92.5  |  |
|                     |                                 | 35   | 50                           | 70.3     | 18.7      | 43.5     | 76.1     | 20.6      | 44.2     | 78.5     | 20.8      | 44.5     | 79.5     | 20.9      | 44.6     | 80.3     | 20.9      | 44.7     | 81.5     | 21.0      | 44.8     | 82.2     | 21.0      | 44.9 | 85.0  |  |
|                     |                                 |  | 60                           | 70.3     | 18.4      | 42.1     | 76.5     | 20.4      | 42.7     | 78.9     | 20.6      | 42.9     | 79.8     | 20.7      | 43.0     | 80.7     | 20.7      | 43.1     | 82.0     | 20.8      | 43.2     | 82.7     | 20.8      | 43.2 | 86.5  |  |
|                     |                                 |  | 96                           | 70.3     | 17.4      | 39.4     | 77.4     | 19.8      | 39.8     | 79.9     | 20.0      | 40.0     | 80.9     | 20.1      | 40.0     | 81.8     | 20.2      | 40.1     | 83.1     | 20.3      | 40.1     | 83.9     | 20.3      | 40.2 | 88.0  |  |
|                     |                                 |  | 120                          | 70.3     | 17.1      | 38.5     | 77.8     | 19.6      | 38.9     | 80.2     | 19.8      | 39.0     | 81.3     | 19.9      | 39.0     | 82.2     | 20.0      | 39.1     | 83.6     | 20.0      | 39.1     | 84.4     | 20.1      | 39.2 | 89.0  |  |
| 40                  |                                 |  | 50                           | 57.1     | 15.2      | 46.9     | 58.8     | 15.3      | 47.1     | 59.8     | 15.3      | 47.2     | 60.0     | 15.3      | 47.2     | 60.0     | 15.3      | 47.2     | 59.5     | 15.1      | 47.1     | 58.1     | 14.9      | 47.0 | 61.5  |  |
|                     |                                 |  | 60                           | 60.1     | 16.4      | 46.1     | 62.1     | 16.6      | 46.3     | 63.4     | 16.6      | 46.4     | 63.8     | 16.6      | 46.4     | 64.0     | 16.6      | 46.4     | 63.8     | 16.5      | 46.4     | 63.0     | 16.3      | 46.3 | 66.0  |  |
|                     |                                 |  | 96                           | 68.3     | 18.4      | 44.3     | 62.9     | 18.6      | 44.5     | 63.0     | 18.7      | 44.6     | 63.7     | 18.8      | 44.6     | 64.0     | 18.8      | 44.6     | 63.8     | 18.6      | 44.7     | 62.5     | 18.4      | 44.7 | 70.0  |  |
|                     |                                 |  | 120                          | 68.9     | 18.1      | 43.5     | 63.6     | 18.3      | 43.6     | 63.6     | 18.4      | 43.7     | 64.4     | 18.5      | 43.7     | 64.5     | 18.5      | 43.7     | 63.8     | 18.5      | 43.8     | 62.5     | 18.4      | 43.8 | 74.0  |  |
|                     | 45                              |  | 50                           | 40.0     | 9.59      | 49.7     | 39.5     | 9.45      | 49.7     | 37.9     | 9.18      | 49.5     | 36.7     | 8.99      | 49.4     | 35.1     | 8.77      | 49.2     | 31.2     | 8.24      | 48.8     | 26.2     | 7.56      | 48.2 | 55.0  |  |
|                     |                                 |  | 60                           | 43.9     | 10.6      | 49.3     | 44.0     | 10.5      | 49.3     | 43.1     | 10.3      | 49.3     | 42.3     | 10.2      | 49.2     | 41.2     | 10.0      | 49.1     | 38.2     | 9.59      | 48.8     | 34.2     | 9.04      | 48.4 | 60.0  |  |
|                     |                                 |  | 96                           | 54.7     | 13.9      | 48.4     | 56.2     | 14.0      | 48.5     | 56.9     | 14.0      | 48.5     | 56.9     | 13.9      | 48.5     | 56.8     | 13.9      | 48.5     | 55.8     | 13.7      | 48.5     | 54.1     | 13.4      | 48.4 | 65.0  |  |
|                     |                                 |  | 120                          | 59.9     | 16.0      | 48.0     | 61.9     | 16.1      | 48.1     | 63.2     | 16.2      | 48.2     | 63.6     | 16.2      | 48.2     | 63.8     | 16.2      | 48.2     | 63.6     | 16.1      | 48.2     | 62.7     | 15.9      | 48.1 | 70.0  |  |
|                     |                                 | 10   | 50                           | 64.9     | 9.20      | 17.1     | 77.4     | 12.18     | 18.6     | 89.9     | 14.6      | 20.0     | 91.3     | 14.7      | 20.1     | 92.6     | 14.7      | 20.3     | 94.8     | 14.8      | 20.5     | 96.7     | 14.9      | 20.7 | 98.0  |  |
|                     |                                 |  | 60                           | 64.9     | 9.02      | 15.9     | 77.4     | 11.95     | 17.1     | 89.9     | 14.4      | 18.3     | 91.8     | 14.5      | 18.5     | 93.0     | 14.6      | 18.6     | 95.3     | 14.7      | 18.8     | 97.1     | 14.8      | 18.9 | 99.0  |  |
|                     |                                 |  | 96                           | 64.9     | 8.57      | 13.7     | 77.4     | 11.34     | 14.4     | 89.9     | 14.0      | 15.2     | 92.9     | 14.1      | 15.3     | 94.2     | 14.2      | 15.4     | 96.5     | 14.3      | 15.5     | 98.4     | 14.4      | 15.6 | 100.0 |  |
|                     |                                 |  | 120                          | 64.9     | 8.41      | 12.9     | 77.4     | 11.12     | 13.5     | 89.9     | 13.8      | 14.1     | 93.3     | 14.0      | 14.3     | 94.6     | 14.0      | 14.3     | 96.9     | 14.2      | 14.4     | 98.9     | 14.2      | 14.5 | 100.0 |  |
| 15                  |                                 |  | 50                           | 64.9     | 9.52      | 22.1     | 77.4     | 12.6      | 23.6     | 88.4     | 15.0      | 24.9     | 89.7     | 15.1      | 25.0     | 90.9     | 15.2      | 25.1     | 93.1     | 15.3      | 25.4     | 94.8     | 15.4      | 25.5 | 97.0  |  |
|                     |                                 |  | 60                           | 64.9     | 9.34      | 20.9     | 77.4     | 12.4      | 22.1     | 88.8     | 14.9      | 23.3     | 90.1     | 15.0      | 23.4     | 91.4     | 15.0      | 23.5     | 93.5     | 15.1      | 23.7     | 95.3     | 15.2      | 23.8 | 98.0  |  |
|                     |                                 |  | 96                           | 64.9     | 8.88      | 18.7     | 77.4     | 11.7      | 19.4     | 89.9     | 14.5      | 20.2     | 91.2     | 14.5      | 20.3     | 92.5     | 14.6      | 20.3     | 94.7     | 14.7      | 20.4     | 96.6     | 14.8      | 20.5 | 100.0 |  |
|                     |                                 |  | 120                          | 64.9     | 8.71      | 17.9     | 77.4     | 11.5      | 18.5     | 89.9     | 14.3      | 19.1     | 91.7     | 14.4      | 19.2     | 92.9     | 14.5      | 19.3     | 95.2     | 14.6      | 19.4     | 97.0     | 14.6      | 19.4 | 100.0 |  |
|                     | 20                              |  | 50                           | 64.9     | 9.89      | 27.1     | 77.4     | 13.1      | 28.6     | 86.3     | 15.5      | 29.7     | 87.6     | 15.5      | 29.9     | 88.8     | 15.6      | 30.0     | 90.8     | 15.7      | 30.2     | 92.5     | 15.8      | 30.3 | 95.0  |  |
|                     |                                 |  | 60                           | 64.9     | 9.71      | 25.9     | 77.4     | 12.9      | 27.2     | 86.7     | 15.3      | 28.1     | 88.0     | 15.4      | 28.2     | 89.2     | 15.5      | 28.3     | 91.3     | 15.6      | 28.5     | 92.9     | 15.6      | 28.6 | 97.0  |  |
|                     |                                 |  | 96                           | 64.9     | 9.22      | 23.7     | 77.4     | 12.2      | 24.5     | 87.8     | 14.9      | 25.1     | 89.1     | 15.0      | 25.2     | 90.3     | 15.0      | 25.2     | 92.4     | 15.1      | 25.4     | 94.2     | 15.2      | 25.4 | 100.0 |  |
|                     |                                 |  | 120                          | 64.9     | 9.04      | 22.9     | 77.4     | 12.0      | 23.6     | 88.2     | 14.7      | 24.1     | 89.5     | 14.8      | 24.2     | 90.7     | 14.9      | 24.2     | 92.9     | 15.0      | 24.3     | 94.6     | 15.1      | 24.4 | 100.0 |  |
|                     |                                 | 25   | 50                           | 64.9     | 11.6      | 32.3     | 77.4     | 15.5      | 33.9     | 83.8     | 17.2      | 34.7     | 85.0     | 17.3      | 34.8     | 86.1     | 17.4      | 34.9     | 88.0     | 17.5      | 35.1     | 89.5     | 17.5      | 35.2 | 92.0  |  |
|                     |                                 |  | 60                           | 64.9     | 11.4      | 31.1     | 77.4     | 15.2      | 32.4     | 84.2     | 17.0      | 33.1     | 85.4     | 17.1      | 33.2     | 86.5     | 17.2      | 33.3     | 88.5     | 17.3      | 33.4     | 90.0     | 17.4      | 33.5 | 95.0  |  |
|                     |                                 |  | 96                           | 64.9     | 10.9      | 28.8     | 77.4     | 14.4      | 29.6     | 85.2     | 16.6      | 30.1     | 86.5     | 16.6      | 30.1     | 87.6     | 16.7      | 30.2     | 89.6     | 16.8      | 30.3     | 91.2     | 16.9      | 30.4 | 100.0 |  |
|                     |                                 |  | 120                          | 64.9     | 10.6      | 28.0     | 77.4     | 14.1      | 28.6     | 85.6     | 16.4      | 29.1     | 86.9     | 16.5      | 29.1     | 88.1     | 16.5      | 29.2     | 90.1     | 16.6      | 29.2     | 91.7     | 16.7      | 29.3 | 100.0 |  |
| 30                  |                                 |  | 50                           | 64.9     | 13.8      | 37.5     | 77.4     | 18.4      | 39.1     | 80.8     | 18.9      | 39.5     | 81.9     | 19.0      | 39.6     | 83.0     | 19.1      | 39.8     | 84.7     | 19.2      | 39.9     | 86.0     | 19.3      | 40.1 | 95.0  |  |
|                     |                                 |  | 60                           | 64.9     | 13.5      | 36.2     | 77.4     |           |          |          |           |          |          |           |          |          |           |          |          |           |          |          |           |      |       |  |

# 4 Capacity tables

## 4 - 2 Cooling capacity tables

| RWEYQ30PY1      |                        |                            | TC: Total Capacity: kW ; PI: Power Input: kW (compressor + outdoor fan motor) ; OWT: Outlet Water Temperatur: °C |      |      |      |      |      |      |       |      |      |       |      |      |      |      |      |      |      |      |      |      |      |      |      |      |      |      |      |       |      |      |       |      |      |      |      |      |      |      |      |      |      |      |      |      |      |      |      |      |       |      |      |       |      |      |      |      |      |      |      |      |      |      |      |      |      |      |      |      |      |       |      |      |       |      |      |      |      |      |      |      |      |      |      |
|-----------------|------------------------|----------------------------|--|------|------|------|------|------|------|-------|------|------|-------|------|------|------|------|------|------|------|------|------|------|------|------|------|------|------|------|------|-------|------|------|-------|------|------|------|------|------|------|------|------|------|------|------|------|------|------|------|------|------|-------|------|------|-------|------|------|------|------|------|------|------|------|------|------|------|------|------|------|------|------|------|-------|------|------|-------|------|------|------|------|------|------|------|------|------|------|
| Combination (%) | Inlet Water Temp. (°C) | Water Volume (note2) L/min | Indoor air temperature: °CWB   |      |      |      |      |      |      |       |      |      |       |      |      |      |      |      |      |      |      |      |      |      |      |      |      |      |      |      |       |      |      |       |      |      |      |      |      |      |      |      |      |      |      |      |      |      |      |      |      |       |      |      |       |      |      |      |      |      |      |      |      |      |      |      |      |      |      |      |      |      |       |      |      |       |      |      |      |      |      |      |      |      |      |      |
|                 |                        |                            | 14.0   |      |      | 16.0 |      |      | 18.0 |       |      | 19.0 |       |      | 20.0 |      |      | 22.0 |      |      | 24.0 |      |      |      |      |      |      |      |      |      |       |      |      |       |      |      |      |      |      |      |      |      |      |      |      |      |      |      |      |      |      |       |      |      |       |      |      |      |      |      |      |      |      |      |      |      |      |      |      |      |      |      |       |      |      |       |      |      |      |      |      |      |      |      |      |      |
|                 |                        |                            | TC   | PI   | OWT  | TC   | PI   | OWT  | TC   | PI    | OWT  | TC   | PI    | OWT  | TC   | PI   | OWT  | TC   | PI   | OWT  | TC   | PI   | OWT  |      |      |      |      |      |      |      |       |      |      |       |      |      |      |      |      |      |      |      |      |      |      |      |      |      |      |      |      |       |      |      |       |      |      |      |      |      |      |      |      |      |      |      |      |      |      |      |      |      |       |      |      |       |      |      |      |      |      |      |      |      |      |      |
| 100             | 10                     | 50                         | 54.1   | 6.96 | 15.8 | 64.5 | 9.11 | 17.0 | 74.9 | 11.55 | 18.3 | 80.1 | 12.89 | 18.9 | 85.3 | 14.3 | 19.5 | 91.2 | 14.7 | 20.1 | 93.3 | 14.8 | 20.3 | 54.1 | 6.84 | 14.9 | 64.5 | 8.94 | 15.8 | 74.9 | 11.33 | 16.9 | 80.1 | 12.64 | 17.4 | 85.3 | 14.0 | 17.9 | 91.7 | 14.5 | 18.5 | 93.7 | 14.6 | 18.6 | 54.1 | 6.50 | 13.0 | 64.5 | 8.49 | 13.6 | 74.9 | 10.76 | 14.3 | 80.1 | 12.00 | 14.6 | 85.3 | 13.3 | 14.9 | 92.8 | 14.1 | 15.3 | 94.9 | 14.2 | 15.4 | 54.1 | 6.38 | 12.4 | 64.5 | 8.33 | 12.9 | 74.9 | 10.55 | 13.4 | 80.1 | 11.76 | 13.7 | 85.3 | 13.0 | 13.9 | 93.2 | 14.0 | 14.3 | 95.4 | 14.1 | 14.4 |
|                 |                        | 60                         | 54.1   | 7.21 | 20.9 | 64.5 | 9.43 | 22.1 | 74.9 | 12.0  | 23.3 | 80.1 | 13.3  | 23.9 | 85.3 | 14.8 | 24.6 | 89.6 | 15.1 | 25.0 | 91.6 | 15.2 | 25.2 | 54.1 | 7.08 | 19.9 | 64.5 | 9.25 | 20.9 | 74.9 | 11.7  | 21.9 | 80.1 | 13.1  | 22.4 | 85.3 | 14.5 | 23.0 | 90.0 | 15.0 | 23.4 | 92.1 | 15.1 | 23.5 | 54.1 | 6.73 | 18.0 | 64.5 | 8.79 | 18.6 | 74.9 | 11.14 | 19.3 | 80.1 | 12.4  | 19.6 | 85.3 | 13.8 | 19.9 | 91.2 | 14.5 | 20.3 | 93.2 | 14.6 | 20.4 | 54.1 | 6.60 | 17.4 | 64.5 | 8.62 | 17.9 | 74.9 | 10.92 | 18.4 | 80.1 | 12.2  | 18.7 | 85.3 | 13.5 | 18.9 | 91.6 | 14.4 | 19.2 | 93.6 | 14.5 | 19.3 |
|                 |                        | 96                         | 54.1   | 7.35 | 24.9 | 64.5 | 9.61 | 25.9 | 74.9 | 12.2  | 26.9 | 80.1 | 13.6  | 27.5 | 85.3 | 15.1 | 28.0 | 87.9 | 15.4 | 28.2 | 89.9 | 15.5 | 28.4 | 54.1 | 6.99 | 23.0 | 64.5 | 9.13 | 23.7 | 74.9 | 11.6  | 24.3 | 80.1 | 12.9  | 24.6 | 85.3 | 14.3 | 25.0 | 89.0 | 15.0 | 25.2 | 91.0 | 15.1 | 25.3 | 54.1 | 6.86 | 22.4 | 64.5 | 8.96 | 22.9 | 74.9 | 11.4  | 23.4 | 80.1 | 12.7  | 23.7 | 85.3 | 14.0 | 24.0 | 89.4 | 14.8 | 24.2 | 91.4 | 14.9 | 24.2 |      |      |      |      |      |      |      |       |      |      |       |      |      |      |      |      |      |      |      |      |      |
|                 |                        | 120                        | 54.1   | 7.48 | 25.9 | 64.5 | 9.80 | 27.1 | 74.9 | 12.4  | 28.3 | 80.1 | 13.9  | 29.0 | 85.3 | 15.4 | 29.6 | 87.5 | 15.5 | 29.8 | 89.4 | 15.6 | 30.0 | 54.1 | 7.35 | 24.9 | 64.5 | 9.61 | 25.9 | 74.9 | 12.2  | 26.9 | 80.1 | 13.6  | 27.5 | 85.3 | 15.1 | 28.0 | 87.9 | 15.4 | 28.2 | 89.9 | 15.5 | 28.4 | 54.1 | 6.99 | 23.0 | 64.5 | 9.13 | 23.7 | 74.9 | 11.6  | 24.3 | 80.1 | 12.9  | 24.6 | 85.3 | 14.3 | 25.0 | 89.0 | 15.0 | 25.2 | 91.0 | 15.1 | 25.3 | 54.1 | 6.86 | 22.4 | 64.5 | 8.96 | 22.9 | 74.9 | 11.4  | 23.4 | 80.1 | 12.7  | 23.7 | 85.3 | 14.0 | 24.0 | 89.4 | 14.8 | 24.2 | 91.4 | 14.9 | 24.2 |
|                 | 60                     | 54.1                       | 8.79   | 31.0 | 64.5 | 11.5 | 32.3 | 74.9 | 14.7 | 33.6  | 80.1 | 16.4 | 34.2  | 82.8 | 17.1 | 34.6 | 84.9 | 17.3 | 34.8 | 86.8 | 17.4 | 35.0 | 54.1 | 8.63 | 30.0 | 64.5 | 11.3 | 31.0 | 74.9 | 14.4 | 32.1  | 80.1 | 16.1 | 32.7  | 83.2 | 17.0 | 33.0 | 85.3 | 17.1 | 33.2 | 87.2 | 17.2 | 33.3 | 54.1 | 8.20 | 28.1 | 64.5 | 10.8 | 28.7 | 74.9 | 13.7 | 29.4  | 80.1 | 15.2 | 29.7  | 84.2 | 16.5 | 30.0 | 86.4 | 16.6 | 30.1 | 88.3 | 16.7 | 30.2 | 54.1 | 8.05 | 27.5 | 64.5 | 10.5 | 28.0 | 74.9 | 13.4 | 28.5  | 80.1 | 14.9 | 28.8  | 84.6 | 16.3 | 29.0 | 86.8 | 16.5 | 29.1 | 88.7 | 16.6 | 29.2 |      |
|                 | 96                     | 54.1                       | 10.4   | 36.2 | 64.5 | 13.6 | 37.5 | 74.9 | 17.4 | 38.8  | 78.8 | 18.8 | 39.3  | 79.9 | 18.9 | 39.4 | 81.9 | 19.0 | 39.6 | 83.5 | 19.1 | 39.8 | 54.1 | 10.2 | 35.1 | 64.5 | 13.4 | 36.2 | 74.9 | 17.1 | 37.3  | 79.1 | 18.6 | 37.8  | 80.2 | 18.7 | 37.9 | 82.2 | 18.8 | 38.0 | 83.9 | 19.0 | 38.2 | 54.1 | 9.67 | 33.2 | 64.5 | 12.7 | 33.8 | 74.9 | 16.2 | 34.5  | 80.1 | 18.1 | 34.9  | 81.2 | 18.2 | 34.9 | 83.3 | 18.3 | 35.1 | 85.0 | 18.4 | 35.1 | 54.1 | 9.48 | 32.5 | 64.5 | 12.5 | 33.1 | 74.9 | 15.9 | 33.6  | 80.1 | 17.7 | 33.9  | 81.6 | 18.0 | 34.0 | 83.7 | 18.1 | 34.1 | 85.4 | 18.2 | 34.1 |      |
|                 | 120                    | 54.1                       | 12.3   | 41.3 | 64.5 | 16.3 | 42.7 | 74.9 | 20.4 | 44.0  | 75.4 | 20.5 | 44.2  | 76.4 | 20.6 | 44.3 | 78.2 | 20.8 | 44.5 | 79.7 | 20.9 | 44.6 | 54.1 | 12.1 | 40.3 | 64.5 | 16.0 | 41.4 | 74.6 | 20.2 | 42.6  | 75.7 | 20.3 | 42.6  | 76.8 | 20.4 | 42.7 | 78.6 | 20.6 | 42.9 | 80.1 | 20.7 | 43.0 | 54.1 | 11.5 | 38.3 | 64.5 | 15.2 | 39.0 | 74.9 | 19.4 | 39.7  | 76.6 | 19.8 | 39.8  | 77.7 | 19.9 | 39.9 | 79.6 | 20.0 | 40.0 | 81.2 | 20.1 | 40.0 | 54.1 | 11.3 | 37.6 | 64.5 | 14.9 | 38.2 | 74.9 | 19.0 | 38.7  | 77.0 | 19.6 | 38.8  | 78.1 | 19.7 | 38.9 | 80.0 | 19.8 | 39.0 | 81.6 | 19.9 | 39.0 |      |
|                 | 96                     | 54.1                       | 14.9   | 46.6 | 64.5 | 18.1 | 46.8 | 57.8 | 15.2 | 47.0  | 58.4 | 15.3 | 47.0  | 59.0 | 15.3 | 47.1 | 59.7 | 15.3 | 47.2 | 60.0 | 15.3 | 47.2 | 54.1 | 14.6 | 45.5 | 64.5 | 18.3 | 46.0 | 60.9 | 16.5 | 46.2  | 61.6 | 16.5 | 46.2  | 62.3 | 16.6 | 46.3 | 63.3 | 16.6 | 46.4 | 63.9 | 16.6 | 46.4 | 54.1 | 12.7 | 43.3 | 64.5 | 16.9 | 44.0 | 69.3 | 18.4 | 44.4  | 70.3 | 18.5 | 44.4  | 71.2 | 18.6 | 44.5 | 72.7 | 18.7 | 44.6 | 73.9 | 18.8 | 44.6 | 54.1 | 12.3 | 42.6 | 64.5 | 16.3 | 43.2 | 69.9 | 18.1 | 43.5  | 70.9 | 18.2 | 43.5  | 71.8 | 18.3 | 43.6 | 73.4 | 18.4 | 43.7 | 74.6 | 18.5 | 43.7 |      |
|                 | 120                    | 54.1                       | 15.8   | 51.5 | 64.5 | 21.1 | 47.0 | 57.8 | 15.2 | 47.0  | 58.4 | 15.3 | 47.0  | 59.0 | 15.3 | 47.1 | 59.7 | 15.3 | 47.2 | 60.0 | 15.3 | 47.2 | 54.1 | 15.8 | 51.5 | 64.5 | 21.1 | 47.0 | 57.8 | 15.2 | 47.0  | 58.4 | 15.3 | 47.0  | 59.0 | 15.3 | 47.1 | 59.7 | 15.3 | 47.2 | 60.0 | 15.3 | 47.2 | 54.1 | 13.7 | 48.3 | 64.5 | 18.3 | 48.4 | 55.3 | 13.9 | 48.4  | 55.8 | 14.0 | 48.5  | 56.3 | 14.0 | 48.5 | 56.8 | 14.0 | 48.5 | 56.9 | 13.9 | 48.5 | 54.1 | 14.3 | 47.7 | 64.5 | 18.3 | 48.4 | 55.3 | 13.9 | 48.4  | 55.8 | 14.0 | 48.5  | 56.3 | 14.0 | 48.5 | 56.8 | 14.0 | 48.5 | 56.9 | 13.9 | 48.5 |      |
|                 | 60                     | 54.1                       | 17.4   | 56.1 | 64.5 | 23.1 | 46.8 | 57.8 | 15.2 | 47.0  | 58.4 | 15.3 | 47.0  | 59.0 | 15.3 | 47.1 | 59.7 | 15.3 | 47.2 | 60.0 | 15.3 | 47.2 | 54.1 | 17.4 | 56.1 | 64.5 | 23.1 | 46.8 | 57.8 | 15.2 | 47.0  | 58.4 | 15.3 | 47.0  | 59.0 | 15.3 | 47.1 | 59.7 | 15.3 | 47.2 | 60.0 | 15.3 | 47.2 | 54.1 | 15.8 | 51.5 | 64.5 | 21.1 | 47.0 | 57.8 | 15.2 | 47.0  | 58.4 | 15.3 | 47.0  | 59.0 | 15.3 | 47.1 | 59.7 | 15.3 | 47.2 | 60.0 | 15.3 | 47.2 | 54.1 | 15.8 | 51.5 | 64.5 | 21.1 | 47.0 | 57.8 | 15.2 | 47.0  | 58.4 | 15.3 | 47.0  | 59.0 | 15.3 | 47.1 | 59.7 | 15.3 | 47.2 | 60.0 | 15.3 | 47.2 |      |
|                 | 96                     | 54.1                       | 19.5   | 60.9 | 64.5 | 25.1 | 46.8 | 57.8 | 15.2 | 47.0  | 58.4 | 15.3 | 47.0  | 59.0 | 15.3 | 47.1 | 59.7 | 15.3 | 47.2 | 60.0 | 15.3 | 47.2 | 54.1 | 19.5 | 60.9 | 64.5 | 25.1 | 46.8 | 57.8 | 15.2 | 47.0  | 58.4 | 15.3 | 47.0  | 59.0 | 15.3 | 47.1 | 59.7 | 15.3 | 47.2 | 60.0 | 15.3 | 47.2 | 54.1 | 17.4 | 56.1 | 64.5 | 23.1 | 46.8 | 57.8 | 15.2 | 47.0  | 58.4 | 15.3 | 47.0  | 59.0 | 15.3 | 47.1 | 59.7 | 15.3 | 47.2 | 60.0 | 15.3 | 47.2 | 54.1 | 17.4 | 56.1 | 64.5 | 23.1 | 46.8 | 57.8 | 15.2 | 47.0  | 58.4 | 15.3 | 47.0  | 59.0 | 15.3 | 47.1 | 59.7 | 15.3 | 47.2 | 60.0 | 15.3 | 47.2 |      |
|                 | 120                    | 54.1                       | 21.1   | 65.0 | 64.5 | 27.1 | 46.8 | 57.8 | 15.2 | 47.0  | 58.4 | 15.3 | 47.0  | 59.0 | 15.3 | 47.1 | 59.7 | 15.3 | 47.2 | 60.0 | 15.3 | 47.2 | 54.1 | 21.1 | 65.0 | 64.5 | 27.1 | 46.8 | 57.8 | 15.2 | 47.0  | 58.4 | 15.3 | 47.0  | 59.0 | 15.3 | 47.1 | 59.7 | 15.3 | 47.2 | 60.0 | 15.3 | 47.2 | 54.1 | 19.5 | 60.9 | 64.5 | 25.1 | 46.8 | 57.8 | 15.2 | 47.0  | 58.4 | 15.3 | 47.0  | 59.0 | 15.3 | 47.1 | 59.7 | 15.3 | 47.2 | 60.0 | 15.3 | 47.2 | 54.1 | 19.5 | 60.9 | 64.5 | 25.1 | 46.8 | 57.8 | 15.2 | 47.0  | 58.4 | 15.3 | 47.0  | 59.0 | 15.3 | 47.1 | 59.7 | 15.3 | 47.2 | 60.0 | 15.3 | 47.2 |      |
| 60              | 54.1                   | 23.1                       | 70.0   | 64.5 | 29.1 | 46.8 | 57.8 | 15.2 | 47.0 | 58.4  | 15.3 | 47.0 | 59.0  | 15.3 | 47.1 | 59.7 | 15.3 | 47.2 | 60.0 | 15.3 | 47.2 | 54.1 | 23.1 | 70.0 | 64.5 | 29.1 | 46.8 | 57.8 | 15.2 | 47.0 | 58.4  | 15.3 | 47.0 | 59.0  | 15.3 | 47.1 | 59.7 | 15.3 | 47.2 | 60.0 | 15.3 | 47.2 | 54.1 | 21.1 | 65.0 | 64.5 | 27.1 | 46.8 | 57.8 | 15.2 | 47.0 | 58.4  | 15.3 | 47.0 | 59.0  | 15.3 | 47.1 | 59.7 | 15.3 | 47.2 | 60.0 | 15.3 | 47.2 | 54.1 | 21.1 | 65.0 | 64.5 | 27.1 | 46.8 | 57.8 | 15.2 | 47.0 | 58.4  | 15.3 | 47.0 | 59.0  | 15.3 | 47.1 | 59.7 | 15.3 | 47.2 | 60.0 | 15.3 | 47.2 |      |      |
| 96              | 54.1                   | 25.1                       | 74.9   | 64.5 | 31.0 | 46.8 | 57.8 | 15.2 | 47.0 | 58.4  | 15.3 | 47.0 | 59.0  | 15.3 | 47.1 | 59.7 | 15.3 | 47.2 | 60.0 | 15.3 | 47.2 | 54.1 | 25.1 | 74.9 | 64.5 | 31.0 | 46.8 | 57.8 | 15.2 | 47.0 | 58.4  | 15.3 | 47.0 | 59.0  | 15.3 | 47.1 | 59.7 | 15.3 | 47.2 | 60.0 | 15.3 | 47.2 | 54.1 | 23.1 | 70.0 | 64.5 | 29.1 | 46.8 | 57.8 | 15.2 | 47.0 | 58.4  | 15.3 | 47.0 | 59.0  | 15.3 | 47.1 | 59.7 | 15.3 | 47.2 | 60.0 | 15.3 | 47.2 | 54.1 | 23.1 | 70.0 | 64.5 | 29.1 | 46.8 | 57.8 | 15.2 | 47.0 | 58.4  | 15.3 | 47.0 | 59.0  | 15.3 | 47.1 | 59.7 | 15.3 | 47.2 | 60.0 | 15.3 | 47.2 |      |      |
| 120             | 54.1                   | 27.1                       | 79.9   | 64.5 | 33.0 | 46.8 | 57.8 | 15.2 | 47.0 | 58.4  | 15.3 | 47.0 | 59.0  | 15.3 | 47.1 | 59.7 | 15.3 | 47.2 | 60.0 | 15.3 | 47.2 | 54.1 | 27.1 | 79.9 | 64.5 | 33.0 | 46.8 | 57.8 | 15.2 | 47.0 | 58.4  | 15.3 | 47.0 | 59.0  | 15.3 | 47.1 | 59.7 | 15.3 | 47.2 | 60.0 | 15.3 | 47.2 | 54.1 | 25.1 | 74.9 | 64.5 | 31.0 | 46.8 | 57.8 | 15.2 | 47.0 | 58.4  | 15.3 | 47.0 | 59.0  | 15.3 | 47.1 | 59.7 | 15.3 | 47.2 | 60.0 | 15.3 | 47.2 | 54.1 | 25.1 | 74.9 | 64.5 | 31.0 | 46.8 | 57.8 | 15.2 | 47.0 | 58.4  | 15.3 | 47.0 | 59.0  | 15.3 | 47.1 | 59.7 | 15.3 | 47.2 | 60.0 | 15.3 | 47.2 |      |      |
| 60              | 54.1                   | 29.1                       | 84.9   | 64.5 | 35.0 | 46.8 | 57.8 | 15.2 | 47.0 | 58.4  | 15.3 | 47.0 | 59.0  | 15.3 | 47.1 | 59.7 | 15.3 | 47.2 | 60.0 | 15.3 | 47.2 | 54.1 | 29.1 | 84.9 | 64.5 | 35.0 | 46.8 | 57.8 | 15.2 | 47.0 | 58.4  | 15.3 | 47.0 | 59.0  | 15.3 | 47.1 | 59.7 | 15.3 | 47   |      |      |      |      |      |      |      |      |      |      |      |      |       |      |      |       |      |      |      |      |      |      |      |      |      |      |      |      |      |      |      |      |      |       |      |      |       |      |      |      |      |      |      |      |      |      |      |

# 4 Capacity tables

## 4 - 2 Cooling capacity tables

| RWEYQ30PY1          |                                 | TC: Total Capacity: kW ; PI: Power Input: kW (compressor + outdoor fan motor) ; OWT: Outlet Water Temperatur: °C |                              |       |      |      |      |      |      |      |      |      |      |      |      |      |      |      |       |      |      |       |      |      |      |       |      |      |      |      |      |      |      |      |      |      |      |      |      |      |      |      |      |       |      |      |       |      |      |      |      |      |      |      |      |      |      |      |      |      |      |      |      |      |       |      |      |       |      |      |      |      |      |      |      |      |      |      |      |      |      |      |      |      |      |       |      |      |
|---------------------|---------------------------------|--|------------------------------|-------|------|------|------|------|------|------|------|------|------|------|------|------|------|------|-------|------|------|-------|------|------|------|-------|------|------|------|------|------|------|------|------|------|------|------|------|------|------|------|------|------|-------|------|------|-------|------|------|------|------|------|------|------|------|------|------|------|------|------|------|------|------|------|-------|------|------|-------|------|------|------|------|------|------|------|------|------|------|------|------|------|------|------|------|------|-------|------|------|
| Combinatio<br>n (%) | Inlet<br>Water<br>Temp.<br>(°C) | Water<br>Volume<br>(note2)<br>L/min  | Indoor air temperature: °CWB |       |      |      |      |      |      |      |      |      |      |      |      |      |      |      |       |      |      |       |      |      |      |       |      |      |      |      |      |      |      |      |      |      |      |      |      |      |      |      |      |       |      |      |       |      |      |      |      |      |      |      |      |      |      |      |      |      |      |      |      |      |       |      |      |       |      |      |      |      |      |      |      |      |      |      |      |      |      |      |      |      |      |       |      |      |
|                     |                                 |  | 14.0                         |       |      | 16.0 |      |      | 18.0 |      |      | 19.0 |      |      | 21.0 |      |      | 22.0 |       |      | 24.0 |       |      |      |      |       |      |      |      |      |      |      |      |      |      |      |      |      |      |      |      |      |      |       |      |      |       |      |      |      |      |      |      |      |      |      |      |      |      |      |      |      |      |      |       |      |      |       |      |      |      |      |      |      |      |      |      |      |      |      |      |      |      |      |      |       |      |      |
|                     |                                 |  | TC                           | PI    | OWT  | TC   | PI   | OWT  | TC   | PI   | OWT  | TC   | PI   | OWT  | TC   | PI   | OWT  | TC   | PI    | OWT  | TC   | PI    | OWT  | TC   | PI   | OWT   | TC   | PI   | OWT  |      |      |      |      |      |      |      |      |      |      |      |      |      |      |       |      |      |       |      |      |      |      |      |      |      |      |      |      |      |      |      |      |      |      |      |       |      |      |       |      |      |      |      |      |      |      |      |      |      |      |      |      |      |      |      |      |       |      |      |
| 70                  | 10                              | 50   | 37.8                         | 4.22  | 14.0 | 45.1 | 5.36 | 14.8 | 52.4 | 6.65 | 15.6 | 56.1 | 7.35 | 16.1 | 59.7 | 8.09 | 16.5 | 67.0 | 9.67  | 17.3 | 74.3 | 11.41 | 18.2 | 81.2 | 37.8 | 4.15  | 13.3 | 45.1 | 5.27 | 14.0 | 52.4 | 6.53 | 14.7 | 56.1 | 7.22 | 15.0 | 59.7 | 7.94 | 15.4 | 67.0 | 9.49 | 16.1 | 74.3 | 11.19 | 16.8 | 37.8 | 3.96  | 12.1 | 45.1 | 5.02 | 12.5 | 52.4 | 6.22 | 12.9 | 56.1 | 6.87 | 13.1 | 59.7 | 7.55 | 13.3 | 67.0 | 9.02 | 13.8 | 74.3 | 10.62 | 14.2 | 37.8 | 3.89  | 11.7 | 45.1 | 4.93 | 12.0 | 52.4 | 6.10 | 12.3 | 56.1 | 6.74 | 12.5 | 59.7 | 7.41 | 12.7 | 67.0 | 8.84 | 13.0 | 74.3 | 10.42 | 13.4 |      |
|                     |                                 | 60   | 37.8                         | 4.37  | 19.0 | 45.1 | 5.55 | 19.8 | 52.4 | 6.89 | 20.7 | 56.1 | 7.61 | 21.1 | 59.7 | 8.37 | 21.5 | 67.0 | 10.02 | 22.4 | 74.3 | 11.8  | 23.2 | 81.2 | 37.8 | 4.29  | 18.4 | 45.1 | 5.45 | 19.0 | 52.4 | 6.76 | 19.7 | 56.1 | 7.47 | 20.1 | 59.7 | 8.22 | 20.4 | 67.0 | 9.83 | 21.1 | 74.3 | 11.6  | 21.8 | 37.8 | 4.09  | 17.1 | 45.1 | 5.19 | 17.5 | 52.4 | 6.43 | 17.9 | 56.1 | 7.11 | 18.1 | 59.7 | 7.81 | 18.4 | 67.0 | 9.34 | 18.8 | 74.3 | 11.00 | 19.2 | 37.8 | 4.02  | 16.7 | 45.1 | 5.10 | 17.0 | 52.4 | 6.31 | 17.3 | 56.1 | 6.97 | 17.5 | 59.7 | 7.67 | 17.7 | 67.0 | 9.16 | 18.0 | 74.3 | 10.78 | 18.4 |      |
|                     |                                 | 96   | 37.8                         | 4.53  | 24.0 | 45.1 | 5.76 | 24.9 | 52.4 | 7.15 | 25.7 | 56.1 | 7.91 | 26.1 | 59.7 | 8.70 | 26.5 | 67.0 | 10.4  | 27.4 | 74.3 | 12.3  | 28.3 | 81.2 | 37.8 | 4.45  | 23.4 | 45.1 | 5.66 | 24.0 | 52.4 | 7.02 | 24.7 | 56.1 | 7.76 | 25.1 | 59.7 | 8.54 | 25.4 | 67.0 | 10.2 | 26.1 | 74.3 | 12.0  | 26.9 | 37.8 | 4.25  | 22.1 | 45.1 | 5.39 | 22.5 | 52.4 | 6.68 | 22.9 | 56.1 | 7.38 | 23.2 | 59.7 | 8.12 | 23.4 | 67.0 | 9.70 | 23.8 | 74.3 | 11.4  | 24.3 | 37.8 | 4.17  | 21.7 | 45.1 | 5.29 | 22.0 | 52.4 | 6.56 | 22.3 | 56.1 | 7.24 | 22.5 | 59.7 | 7.96 | 22.7 | 67.0 | 9.51 | 23.0 | 74.3 | 11.2  | 23.4 |      |
|                     | 60                              | 37.8   | 5.29                         | 29.1  | 45.1 | 6.74 | 30.0 | 52.4 | 8.39 | 30.8 | 56.1 | 9.29 | 31.2 | 59.7 | 10.2 | 31.7 | 67.0 | 12.3 | 32.6  | 74.3 | 14.5 | 33.5  | 81.2 | 37.8 | 5.19 | 28.4  | 45.1 | 6.62 | 29.1 | 52.4 | 8.24 | 29.8 | 56.1 | 9.12 | 30.2 | 59.7 | 10.0 | 30.6 | 67.0 | 12.0 | 31.3 | 74.3 | 14.2 | 32.0  | 37.8 | 4.95 | 27.1  | 45.1 | 6.31 | 27.6 | 52.4 | 7.84 | 28.0 | 56.1 | 8.67 | 28.2 | 59.7 | 9.54 | 28.4 | 67.0 | 11.4 | 28.9 | 74.3 | 13.5 | 29.4  | 37.8 | 4.86 | 26.7  | 45.1 | 6.19 | 27.0 | 52.4 | 7.69 | 27.4 | 56.1 | 8.50 | 27.6 | 59.7 | 9.36 | 27.8 | 67.0 | 11.2 | 28.1 | 74.3 | 13.2 | 28.5  |      |      |
|                     | 30                              | 37.8   | 6.18                         | 34.2  | 45.1 | 7.92 | 35.1 | 52.4 | 9.89 | 36.0 | 56.1 | 11.0 | 36.4 | 59.7 | 12.1 | 36.9 | 67.0 | 14.5 | 37.8  | 74.3 | 17.2 | 38.7  | 81.2 | 37.8 | 6.07 | 33.5  | 45.1 | 7.78 | 34.2 | 52.4 | 9.71 | 34.9 | 56.1 | 10.8 | 35.3 | 59.7 | 11.9 | 35.7 | 67.0 | 14.2 | 36.5 | 74.3 | 16.8 | 37.3  | 37.8 | 5.79 | 32.2  | 45.1 | 7.40 | 32.6 | 52.4 | 9.23 | 33.1 | 56.1 | 10.2 | 33.3 | 59.7 | 11.3 | 33.5 | 67.0 | 13.5 | 34.0 | 74.3 | 16.0 | 34.5  | 37.8 | 5.68 | 31.7  | 45.1 | 7.27 | 32.1 | 52.4 | 9.05 | 32.4 | 56.1 | 10.0 | 32.6 | 59.7 | 11.1 | 32.8 | 67.0 | 13.3 | 33.2 | 74.3 | 15.7 | 33.6  |      |      |
|                     | 35                              | 37.8   | 7.28                         | 39.3  | 45.1 | 9.37 | 40.2 | 52.4 | 11.7 | 41.1 | 56.1 | 13.0 | 41.6 | 59.7 | 14.4 | 42.1 | 67.0 | 17.3 | 43.1  | 74.3 | 20.4 | 44.0  | 81.2 | 37.8 | 7.15 | 38.6  | 45.1 | 9.20 | 39.3 | 52.4 | 11.5 | 40.1 | 56.1 | 12.8 | 40.5 | 59.7 | 14.1 | 40.9 | 67.0 | 17.0 | 41.7 | 74.3 | 20.1 | 42.5  | 37.8 | 6.81 | 37.2  | 45.1 | 8.75 | 37.7 | 52.4 | 11.0 | 38.2 | 56.1 | 12.2 | 38.4 | 59.7 | 13.4 | 38.6 | 67.0 | 16.1 | 39.1 | 74.3 | 19.1 | 39.6  | 37.8 | 6.69 | 36.8  | 45.1 | 8.59 | 37.1 | 52.4 | 10.7 | 37.5 | 56.1 | 11.9 | 37.7 | 59.7 | 13.2 | 37.9 | 67.0 | 15.8 | 38.3 | 74.3 | 18.7 | 38.7  |      |      |
|                     | 40                              | 37.8   | 8.45                         | 44.4  | 45.1 | 11.1 | 45.4 | 52.4 | 14.2 | 46.4 | 54.4 | 15.0 | 46.6 | 55.2 | 15.0 | 46.7 | 56.6 | 15.1 | 46.9  | 57.7 | 15.2 | 47.0  | 81.2 | 37.8 | 8.31 | 43.7  | 45.1 | 10.9 | 44.5 | 52.4 | 13.9 | 45.3 | 56.1 | 15.5 | 45.7 | 58.0 | 16.2 | 45.9 | 59.5 | 16.4 | 46.0 | 60.8 | 16.5 | 46.1  | 37.8 | 7.40 | 42.3  | 45.1 | 9.59 | 42.7 | 52.4 | 12.1 | 43.2 | 56.1 | 13.5 | 43.5 | 59.7 | 14.9 | 43.7 | 67.0 | 18.0 | 44.2 | 69.2 | 18.4 | 44.4  | 37.8 | 7.17 | 41.8  | 45.1 | 9.29 | 42.2 | 52.4 | 11.7 | 42.6 | 56.1 | 13.0 | 42.8 | 59.7 | 14.4 | 43.0 | 67.0 | 17.4 | 43.4 | 69.7 | 18.1 | 43.5  |      |      |
|                     | 45                              | 37.8   | 9.38                         | 49.4  | 37.7 | 9.49 | 49.5 | 38.8 | 9.57 | 49.6 | 39.2 | 9.59 | 49.7 | 39.5 | 9.60 | 49.7 | 39.9 | 9.60 | 49.7  | 40.0 | 9.56 | 49.7  | 81.2 | 37.8 | 9.53 | 48.8  | 40.8 | 10.4 | 49.1 | 42.0 | 10.5 | 49.2 | 42.6 | 10.5 | 49.2 | 43.0 | 10.6 | 49.3 | 43.7 | 10.6 | 49.3 | 44.0 | 10.6 | 49.3  | 37.8 | 8.37 | 47.3  | 45.1 | 11.1 | 47.8 | 51.4 | 13.6 | 48.2 | 52.2 | 13.7 | 48.3 | 52.9 | 13.8 | 48.3 | 54.2 | 13.9 | 48.4 | 55.2 | 13.9 | 48.4  | 37.8 | 8.13 | 46.8  | 45.1 | 10.7 | 47.2 | 52.4 | 13.6 | 47.6 | 56.1 | 15.2 | 47.8 | 57.9 | 15.8 | 47.9 | 59.3 | 15.9 | 48.0 | 60.6 | 16.0 | 48.1  |      |      |
|                     | 60                              | 10   | 50                           | 32.44 | 3.47 | 13.4 | 38.7 | 4.35 | 14.1 | 44.9 | 5.33 | 14.8 | 48.1 | 5.86 | 15.2 | 51.2 | 6.42 | 15.5 | 57.4  | 7.63 | 16.2 | 63.7  | 8.93 | 16.8 | 81.2 | 32.44 | 3.41 | 12.9 | 38.7 | 4.27 | 13.4 | 44.9 | 5.24 | 14.0 | 48.1 | 5.76 | 14.3 | 51.2 | 6.31 | 14.6 | 57.4 | 7.49 | 15.2 | 63.7  | 8.77 | 15.8 | 32.44 | 3.26 | 11.8 | 38.7 | 4.07 | 12.1 | 44.9 | 4.99 | 12.5 | 48.1 | 5.48 | 12.7 | 51.2 | 6.00 | 12.8 | 57.4 | 7.12 | 13.2 | 63.7  | 8.33 | 13.6 | 32.44 | 3.20 | 11.4 | 38.7 | 4.00 | 11.7 | 44.9 | 4.90 | 12.0 | 48.1 | 5.38 | 12.1 | 51.2 | 5.89 | 12.3 | 57.4 | 6.98 | 12.6 | 63.7  | 8.17 | 12.9 |
|                     |                                 |  | 60                           | 32.44 | 3.59 | 18.4 | 38.7 | 4.50 | 19.1 | 44.9 | 5.52 | 19.8 | 48.1 | 6.07 | 20.2 | 51.2 | 6.65 | 20.5 | 57.4  | 7.89 | 21.2 | 63.7  | 9.25 | 22.0 | 81.2 | 32.44 | 3.53 | 17.9 | 38.7 | 4.42 | 18.4 | 44.9 | 5.42 | 19.0 | 48.1 | 5.96 | 19.3 | 51.2 | 6.53 | 19.6 | 57.4 | 7.75 | 20.2 | 63.7  | 9.08 | 20.8 | 32.44 | 3.37 | 16.8 | 38.7 | 4.21 | 17.1 | 44.9 | 5.16 | 17.5 | 48.1 | 5.67 | 17.7 | 51.2 | 6.21 | 17.9 | 57.4 | 7.37 | 18.2 | 63.7  | 8.62 | 18.6 | 32.44 | 3.31 | 16.4 | 38.7 | 4.14 | 16.7 | 44.9 | 5.07 | 17.0 | 48.1 | 5.57 | 17.1 | 51.2 | 6.10 | 17.3 | 57.4 | 7.23 | 17.6 | 63.7  | 8.46 | 17.9 |
|                     |                                 |  | 96                           | 32.4  | 3.72 | 23.5 | 38.7 | 4.66 | 24.1 | 44.9 | 5.73 | 24.8 | 48.1 | 6.30 | 25.2 | 51.2 | 6.90 | 25.6 | 57.4  | 8.20 | 26.3 | 63.7  | 9.61 | 27.0 | 81.2 | 32.4  | 3.66 | 22.9 | 38.7 | 4.58 | 23.4 | 44.9 | 5.62 | 24.0 | 48.1 | 6.19 | 24.3 | 51.2 | 6.78 | 24.6 | 57.4 | 8.05 | 25.2 | 63.7  | 9.43 | 25.8 | 32.4  | 3.49 | 21.8 | 38.7 | 4.37 | 22.1 | 44.9 | 5.36 | 22.5 | 48.1 | 5.89 | 22.7 | 51.2 | 6.45 | 22.9 | 57.4 | 7.65 | 23.2 | 63.7  | 8.96 | 23.6 | 32.4  | 3.43 | 21.4 | 38.7 | 4.29 | 21.7 | 44.9 | 5.26 | 22.0 | 48.1 | 5.78 | 22.1 | 51.2 | 6.33 | 22.3 | 57.4 | 7.51 | 22.6 | 63.7  | 8.79 | 22.9 |
|                     |                                 | 20   | 32.4                         | 4.33  | 28.5 | 38.7 | 5.44 | 29.2 | 44.9 | 6.70 | 29.9 | 48.1 | 7.38 | 30.3 | 51.2 | 8.10 | 30.7 | 57.4 | 9.64  | 31.4 | 63.7 | 11.3  | 32.2 | 81.2 | 32.4 | 4.25  | 27.9 | 38.7 | 5.35 | 28.5 | 44.9 | 6.58 | 29.1 | 48.1 | 7.25 | 29.4 | 51.2 | 7.95 | 29.7 | 57.4 | 9.46 | 30.3 | 63.7 | 11.1  | 31.0 | 32.4 | 4.06  | 26.8 | 38.7 | 5.10 | 27.2 | 44.9 | 6.27 | 27.5 | 48.1 | 6.90 | 27.7 | 51.2 | 7.56 | 27.9 | 57.4 | 8.99 | 28.3 | 63.7 | 10.5  | 28.7 | 32.4 | 3.99  | 26.5 | 38.7 | 5.01 | 26.7 | 44.9 | 6.15 | 27.0 | 48.1 | 6.77 | 27.2 | 51.2 | 7.42 | 27.3 | 57.4 | 8.82 | 27.6 | 63.7 | 10.3  | 27.9 |      |
| 30                  |                                 | 32.4   | 5.04                         | 33.6  | 38.7 | 6.37 | 34.3 | 44.9 | 7.87 | 35.0 | 48.1 | 8.68 | 35.4 | 51.2 | 9.54 | 35.8 | 57.4 | 11.4 | 36.6  | 63.7 | 13.4 | 37.4  | 81.2 | 32.4 | 4.96 | 33.0  | 38.7 | 6.26 | 33.6 | 44.9 | 7.73 | 34.2 | 48.1 | 8.52 | 34.5 | 51.2 | 9.36 | 34.8 | 57.4 | 11.2 | 35.5 | 63.7 | 13.1 | 36.1  | 32.4 | 4.73 | 31.9  | 38.7 | 5.97 | 32.2 | 44.9 | 7.36 | 32.6 | 48.1 | 8.11 | 32.8 | 51.2 | 8.90 | 33.0 | 57.4 | 10.6 | 33.4 | 63.7 | 12.5 | 33.8  | 32.4 | 4.65 | 31.5  | 38.7 | 5.86 | 31.8 | 44.9 | 7.22 | 32.1 | 48.1 | 7.96 | 32.2 | 51.2 | 8.74 | 32.4 | 57.4 | 10.4 | 32.7 | 63.7 | 12.2 | 33.0  |      |      |
| 35                  |                                 | 32.4   | 5.91                         | 38.7  | 38.7 | 7.51 | 39.4 | 44.9 | 9.31 | 40.2 | 48.1 | 10.3 | 40.6 | 51.2 | 11.3 | 41.0 | 57.4 | 13.5 | 41.8  | 63.7 | 16.0 | 42.6  | 81.2 | 32.4 | 5.81 | 38.0  | 38.7 | 7.37 | 38.7 | 44.9 | 9.14 | 39.3 | 48.1 | 10.1 | 39.6 | 51.2 | 11.1 | 40.0 | 57.4 | 13.3 | 40.6 | 63.7 | 15.7 | 41.3  | 32.4 | 5.54 | 36.9  | 38.7 | 7.02 | 37.3 | 44.9 | 8.70 | 37.7 | 48.1 | 9.61 | 37.9 | 51.2 | 10.6 | 38.1 | 57.4 | 12.6 | 38.5 | 63.7 | 14.9 | 38.9  | 32.4 | 5.44 | 36.5  | 38.7 | 6.90 | 36.8 | 44.9 | 8.53 | 37.1 | 48.1 | 9.42 | 37.3 | 51.2 | 10.4 | 37.5 | 57.4 | 12.4 | 37.8 | 63.7 | 14.6 | 38.1  |      |      |
| 40                  |                                 | 32.4   | 6.70                         | 43.7  | 38.7 | 8.74 | 44.5 | 44.9 | 11.1 | 45.4 | 48.1 | 12.3 | 45.8 | 51.2 | 13.7 | 46.2 | 54.7 | 15.0 | 46.7  | 56.0 | 15.1 | 46.8  | 81.2 | 32.4 | 6.62 | 43.1  | 38.7 | 8.59 | 43.8 | 44.9 | 10.8 | 44.4 | 48.1 | 12.1 | 44.8 | 51.2 | 13.3 | 45.1 | 57.4 | 14.6 | 45.9 | 58.8 | 15.3 | 46.0  | 32.4 | 5.97 | 41.9  | 38.7 | 7.64 | 42.3 | 44.9 | 9.53 | 42.7 | 48.1 | 10.6 | 42.9 | 51.2 | 11.6 | 43.1 | 57.4 | 14.0 | 43.6 | 63.7 | 16.5 | 44.0  | 32.4 | 5.79 | 41.5  | 38.7 | 7.40 | 41.8 | 44.9 | 9.23 | 42.2 | 48.1 | 10.2 | 42.3 | 51.2 |      |      |      |      |      |      |      |       |      |      |

# 4 Capacity tables

## 4 - 3 Heating capacity tables

| RWEYQ8PY1       |                        | TC: Total Capacity: kW ; PI: Power Input: kW (compressor + outdoor fan motor) ; OWT: Outlet Water Temperatur: °C |                              |      |      |      |      |      |      |      |      |      |      |      |      |      |      |      |      |       |
|-----------------|------------------------|--|------------------------------|------|------|------|------|------|------|------|------|------|------|------|------|------|------|------|------|-------|
| Combination (%) | Inlet Water Temp. (°C) | Water Volume (note2) L/min   | Indoor air temperature: °CWB |      |      |      |      |      |      |      |      |      |      |      |      |      |      |      |      |       |
|                 |                        |  | 16.0                         |      |      | 18.0 |      |      | 20.0 |      |      | 21.0 |      |      | 22.0 |      |      | 24.0 |      |       |
|                 |                        |  | TC                           | PI   | OWT  | TC   | PI   | OWT  | TC   | PI   | OWT  | TC   | PI   | OWT  | TC   | PI   | OWT  | TC   | PI   | OWT   |
| 130             | 10                     | 50   | 11.7                         | 2.73 | 7.42 | 12.2 | 2.58 | 7.21 | 12.7 | 2.32 | 7.04 | 12.8 | 2.24 | 6.96 | 13.0 | 2.17 | 6.90 | 13.3 | 2.07 | 6.79  |
|                 |                        | 60   | 14.6                         | 2.73 | 7.17 | 14.9 | 2.58 | 7.05 | 15.2 | 2.47 | 6.96 | 15.3 | 2.43 | 6.93 | 15.4 | 2.40 | 6.89 | 15.5 | 2.36 | 6.85  |
|                 |                        | 96   | 20.2                         | 3.23 | 7.47 | 20.3 | 3.22 | 7.45 | 20.3 | 3.25 | 7.45 | 20.3 | 3.28 | 7.45 | 20.3 | 3.31 | 7.46 | 20.2 | 3.39 | 7.48  |
|                 |                        | 120  | 21.3                         | 3.35 | 7.86 | 21.3 | 3.37 | 7.85 | 21.3 | 3.42 | 7.86 | 21.3 | 3.46 | 7.87 | 21.3 | 3.50 | 7.88 | 21.2 | 3.60 | 7.90  |
|                 | 15                     | 50   | 21.2                         | 3.32 | 9.86 | 21.3 | 3.34 | 9.85 | 21.3 | 3.38 | 9.87 | 21.3 | 3.42 | 9.88 | 21.2 | 3.46 | 9.90 | 21.1 | 3.56 | 9.96  |
|                 |                        | 60   | 21.9                         | 3.33 | 10.6 | 21.9 | 3.36 | 10.6 | 21.9 | 3.41 | 10.6 | 21.8 | 3.45 | 10.6 | 21.8 | 3.50 | 10.6 | 21.7 | 3.61 | 10.7  |
|                 |                        | 96   | 23.4                         | 3.37 | 12.0 | 23.4 | 3.43 | 12.0 | 23.3 | 3.51 | 12.0 | 23.3 | 3.56 | 12.1 | 23.2 | 3.61 | 12.1 | 23.1 | 3.74 | 12.1  |
|                 |                        | 120  | 24.0                         | 3.40 | 12.5 | 23.9 | 3.46 | 12.6 | 23.8 | 3.55 | 12.6 | 23.8 | 3.60 | 12.6 | 23.7 | 3.66 | 12.6 | 23.5 | 3.79 | 12.6  |
|                 | 20                     | 50   | 25.4                         | 3.47 | 13.7 | 25.4 | 3.55 | 13.8 | 25.2 | 3.66 | 13.8 | 25.2 | 3.71 | 13.9 | 25.1 | 3.78 | 13.9 | 24.9 | 3.92 | 14.0  |
|                 |                        | 60   | 25.6                         | 3.48 | 14.7 | 25.5 | 3.57 | 14.8 | 25.4 | 3.67 | 14.8 | 25.3 | 3.73 | 14.8 | 25.2 | 3.79 | 14.9 | 25.0 | 3.93 | 15.0  |
|                 |                        | 96   | 26.1                         | 3.51 | 16.6 | 26.0 | 3.60 | 16.7 | 25.8 | 3.70 | 16.7 | 25.7 | 3.76 | 16.7 | 25.7 | 3.83 | 16.7 | 25.4 | 3.97 | 16.8  |
|                 |                        | 120  | 26.2                         | 3.52 | 17.3 | 26.1 | 3.61 | 17.3 | 26.0 | 3.72 | 17.3 | 25.9 | 3.78 | 17.4 | 25.8 | 3.84 | 17.4 | 25.6 | 3.99 | 17.4  |
| 25              | 50                     | 28.0   | 3.64                         | 18.0 | 27.9 | 3.75 | 18.1 | 27.7 | 3.87 | 18.2 | 27.6 | 3.93 | 18.2 | 27.5 | 4.00 | 18.3 | 27.2 | 4.15 | 18.4 |       |
|                 | 60                     | 28.2   | 3.66                         | 19.1 | 28.1 | 3.76 | 19.2 | 27.9 | 3.88 | 19.3 | 27.8 | 3.95 | 19.3 | 27.6 | 4.02 | 19.4 | 27.4 | 4.17 | 19.5 |       |
|                 | 96                     | 28.7   | 3.69                         | 21.3 | 28.5 | 3.80 | 21.3 | 28.3 | 3.92 | 21.4 | 28.2 | 3.99 | 21.4 | 28.1 | 4.06 | 21.4 | 27.8 | 4.21 | 21.5 |       |
|                 | 120                    | 28.9   | 3.70                         | 22.0 | 28.7 | 3.81 | 22.0 | 28.5 | 3.93 | 22.1 | 28.4 | 4.00 | 22.1 | 28.2 | 4.07 | 22.1 | 28.0 | 4.23 | 22.2 |       |
| 30              | 50                     | 30.6   | 3.84                         | 22.3 | 30.4 | 3.95 | 22.4 | 30.1 | 4.08 | 22.5 | 30.0 | 4.16 | 22.6 | 29.9 | 4.23 | 22.7 | 28.3 | 3.96 | 23.0 |       |
|                 | 60                     | 30.8   | 3.85                         | 23.6 | 30.6 | 3.97 | 23.6 | 30.3 | 4.10 | 23.7 | 30.2 | 4.17 | 23.8 | 30.0 | 4.25 | 23.8 | 28.3 | 3.91 | 24.2 |       |
|                 | 96                     | 31.3   | 3.89                         | 25.9 | 31.1 | 4.01 | 26.0 | 30.8 | 4.14 | 26.0 | 30.7 | 4.22 | 26.0 | 30.4 | 4.25 | 26.1 | 28.3 | 3.80 | 26.3 |       |
|                 | 120                    | 31.5   | 3.90                         | 26.7 | 31.2 | 4.02 | 26.7 | 31.0 | 4.16 | 26.8 | 30.8 | 4.23 | 26.8 | 30.4 | 4.21 | 26.9 | 28.3 | 3.77 | 27.1 |       |
| 35              | 50                     | 33.1   | 4.04                         | 26.7 | 32.9 | 4.17 | 26.8 | 32.5 | 4.28 | 26.9 | 31.5 | 4.07 | 27.1 | 30.4 | 3.86 | 27.4 | 28.3 | 3.47 | 27.9 |       |
|                 | 60                     | 33.3   | 4.06                         | 28.0 | 33.1 | 4.18 | 28.1 | 32.5 | 4.23 | 28.2 | 31.5 | 4.02 | 28.4 | 30.4 | 3.82 | 28.6 | 28.3 | 3.43 | 29.1 |       |
|                 | 96                     | 33.9   | 4.10                         | 30.6 | 33.6 | 4.23 | 30.6 | 32.5 | 4.11 | 30.8 | 31.5 | 3.91 | 30.9 | 30.4 | 3.71 | 31.0 | 28.3 | 3.34 | 31.3 |       |
|                 | 120                    | 34.1   | 4.11                         | 31.4 | 33.8 | 4.24 | 31.5 | 32.5 | 4.07 | 31.6 | 31.5 | 3.87 | 31.7 | 30.4 | 3.68 | 31.8 | 28.3 | 3.31 | 32.0 |       |
| 40              | 50                     | 35.7   | 4.25                         | 31.0 | 34.6 | 4.15 | 31.3 | 32.5 | 4.11 | 31.9 | 31.5 | 3.91 | 32.1 | 30.4 | 3.72 | 32.3 | 28.3 | 3.35 | 32.8 |       |
|                 | 60                     | 35.9   | 4.27                         | 32.4 | 34.6 | 4.11 | 32.7 | 32.5 | 4.07 | 33.2 | 31.5 | 3.87 | 33.4 | 30.4 | 3.68 | 33.6 | 28.3 | 3.31 | 34.0 |       |
|                 | 96                     | 36.5   | 4.31                         | 35.2 | 34.6 | 3.99 | 35.4 | 32.5 | 3.96 | 35.7 | 31.5 | 3.77 | 35.9 | 30.4 | 3.58 | 36.0 | 28.3 | 3.23 | 36.3 |       |
|                 | 120                    | 36.7   | 4.33                         | 36.1 | 34.6 | 3.96 | 36.3 | 32.5 | 3.92 | 36.6 | 31.5 | 3.73 | 36.7 | 30.4 | 3.55 | 36.8 | 28.3 | 3.20 | 37.0 |       |
| 45              | 50                     | 36.7   | 4.22                         | 35.7 | 34.6 | 4.05 | 36.2 | 32.5 | 3.97 | 36.8 | 31.5 | 3.78 | 37.1 | 30.4 | 3.60 | 37.3 | 28.3 | 3.25 | 37.8 |       |
|                 | 60                     | 36.7   | 4.17                         | 37.2 | 34.6 | 4.00 | 37.7 | 32.5 | 3.93 | 38.2 | 31.5 | 3.74 | 38.4 | 30.4 | 3.56 | 38.6 | 28.3 | 3.21 | 39.0 |       |
|                 | 96                     | 36.7   | 4.06                         | 40.1 | 34.6 | 3.89 | 40.4 | 32.5 | 3.82 | 40.7 | 31.5 | 3.64 | 40.8 | 30.4 | 3.47 | 41.0 | 28.3 | 3.13 | 41.2 |       |
|                 | 120                    | 36.7   | 4.02                         | 41.1 | 34.6 | 3.86 | 41.3 | 32.5 | 3.79 | 41.6 | 31.5 | 3.61 | 41.7 | 30.4 | 3.44 | 41.8 | 28.3 | 3.11 | 42.0 |       |
| 120             | 10                     | 50   | 12.4                         | 2.44 | 7.15 | 12.8 | 2.28 | 7.00 | 13.1 | 2.15 | 6.87 | 13.2 | 2.10 | 6.82 | 13.3 | 2.06 | 6.78 | 13.5 | 2.00 | 6.71  |
|                 |                        | 60   | 15.0                         | 2.54 | 7.02 | 15.3 | 2.45 | 6.94 | 15.4 | 2.39 | 6.88 | 15.5 | 2.37 | 6.86 | 15.6 | 2.36 | 6.85 | 15.6 | 2.36 | 6.83  |
|                 |                        | 96   | 20.3                         | 3.23 | 7.45 | 20.3 | 3.26 | 7.45 | 20.3 | 3.32 | 7.47 | 20.3 | 3.36 | 7.48 | 20.2 | 3.40 | 7.49 | 20.1 | 3.51 | 7.52  |
|                 |                        | 120  | 21.3                         | 3.39 | 7.86 | 21.3 | 3.44 | 7.86 | 21.3 | 3.52 | 7.88 | 21.2 | 3.56 | 7.89 | 21.2 | 3.62 | 7.90 | 21.0 | 3.74 | 7.93  |
|                 | 15                     | 50   | 21.3                         | 3.35 | 9.86 | 21.3 | 3.40 | 9.88 | 21.2 | 3.48 | 9.91 | 21.2 | 3.52 | 9.94 | 21.1 | 3.57 | 9.97 | 21.0 | 3.70 | 10.04 |
|                 |                        | 60   | 21.9                         | 3.37 | 10.6 | 21.8 | 3.43 | 10.6 | 21.8 | 3.52 | 10.6 | 21.7 | 3.57 | 10.7 | 21.7 | 3.62 | 10.7 | 21.5 | 3.75 | 10.8  |
|                 |                        | 96   | 23.4                         | 3.46 | 12.0 | 23.3 | 3.54 | 12.1 | 23.2 | 3.64 | 12.1 | 23.1 | 3.69 | 12.1 | 23.0 | 3.76 | 12.1 | 22.8 | 3.89 | 12.2  |
|                 |                        | 120  | 23.9                         | 3.49 | 12.6 | 23.8 | 3.58 | 12.6 | 23.7 | 3.68 | 12.6 | 23.6 | 3.74 | 12.6 | 23.5 | 3.81 | 12.6 | 23.3 | 3.95 | 12.7  |
|                 | 20                     | 50   | 25.3                         | 3.59 | 13.8 | 25.2 | 3.69 | 13.8 | 25.0 | 3.80 | 13.9 | 24.9 | 3.87 | 14.0 | 24.8 | 3.93 | 14.0 | 24.6 | 4.08 | 14.1  |
|                 |                        | 60   | 25.5                         | 3.60 | 14.8 | 25.4 | 3.70 | 14.8 | 25.2 | 3.82 | 14.9 | 25.1 | 3.88 | 14.9 | 25.0 | 3.95 | 15.0 | 24.8 | 4.10 | 15.1  |
|                 |                        | 96   | 25.9                         | 3.63 | 16.7 | 25.8 | 3.74 | 16.7 | 25.6 | 3.86 | 16.8 | 25.5 | 3.92 | 16.8 | 25.4 | 3.99 | 16.8 | 25.2 | 4.14 | 16.9  |
|                 |                        | 120  | 26.1                         | 3.64 | 17.3 | 25.9 | 3.75 | 17.4 | 25.7 | 3.87 | 17.4 | 25.6 | 3.94 | 17.4 | 25.5 | 4.00 | 17.4 | 25.3 | 4.16 | 17.5  |
| 25              | 50                     | 27.8   | 3.79                         | 18.1 | 27.6 | 3.90 | 18.2 | 27.4 | 4.03 | 18.3 | 27.3 | 4.10 | 18.4 | 27.2 | 4.17 | 18.4 | 26.1 | 4.04 | 18.7 |       |
|                 | 60                     | 28.0   | 3.80                         | 19.2 | 27.8 | 3.92 | 19.3 | 27.6 | 4.05 | 19.4 | 27.5 | 4.12 | 19.4 | 27.3 | 4.19 | 19.5 | 26.1 | 4.00 | 19.7 |       |
|                 | 96                     | 28.5   | 3.84                         | 21.3 | 28.3 | 3.96 | 21.4 | 28.0 | 4.09 | 21.4 | 27.9 | 4.16 | 21.5 | 27.8 | 4.23 | 21.5 | 26.1 | 3.89 | 21.7 |       |
|                 | 120                    | 28.6   | 3.85                         | 22.0 | 28.4 | 3.97 | 22.1 | 28.2 | 4.10 | 22.1 | 28.1 | 4.17 | 22.1 | 27.9 | 4.25 | 22.2 | 26.1 | 3.85 | 22.3 |       |
| 30              | 50                     | 30.3   | 4.00                         | 22.5 | 30.1 | 4.12 | 22.6 | 29.8 | 4.26 | 22.7 | 29.0 | 4.11 | 22.9 | 28.1 | 3.90 | 23.1 | 26.1 | 3.50 | 23.5 |       |
|                 | 60                     | 30.5   | 4.01                         | 23.7 | 30.3 | 4.14 | 23.8 | 30.0 | 4.28 | 23.9 | 29.0 | 4.07 | 24.0 | 28.1 | 3.86 | 24.2 | 26.1 | 3.46 | 24.6 |       |
|                 | 96                     | 31.0   | 4.06                         | 26.0 | 30.7 | 4.18 | 26.0 | 30.0 | 4.16 | 26.1 | 29.0 | 3.95 | 26.3 | 28.1 | 3.75 | 26.4 | 26.1 | 3.37 | 26.6 |       |
|                 | 120                    | 31.2   | 4.07                         | 26.8 | 30.9 | 4.20 | 26.8 | 30.0 | 4.12 | 26.9 | 29.0 | 3.92 | 27.0 | 28.1 | 3.72 | 27.1 | 26.1 | 3.34 | 27.3 |       |
| 35              | 50                     | 32.8   | 4.21                         | 26.8 | 31.9 | 4.16 | 27.0 | 30.0 | 3.78 | 27.5 | 29.0 | 3.60 | 27.7 | 28.1 | 3.42 | 27.9 | 26.1 | 3.08 | 28.4 |       |
|                 | 60                     | 33.0   | 4.23                         | 28.1 | 31.9 | 4.12 | 28.4 | 30.0 | 3.74 | 28.7 | 29.0 | 3.56 | 28.9 | 28.1 | 3.38 | 29.1 | 26.1 | 3.05 | 29.5 |       |
|                 | 96                     | 33.5   | 4.28                         | 30.6 | 31.9 | 4.00 | 30.8 | 30.0 | 3.64 | 31.1 | 29.0 | 3.46 | 31.2 | 28.1 | 3.29 | 31.3 | 26.1 | 2.96 | 31.5 |       |
|                 | 120                    | 33.7   | 4.29                         | 31.5 | 31.9 | 3.96 | 31.7 | 30.0 | 3.60 | 31.8 | 29.0 | 3.43 | 31.9 | 28.1 | 3.26 | 32.0 | 26.1 | 2.94 | 32.2 |       |
| 40              | 50                     | 33.9   | 4.02                         | 31.4 | 31.9 | 4.00 | 32.0 | 30.0 | 3.65 | 32.4 | 29.0 | 3.47 | 32.7 | 28.1 | 3.30 | 32.9 | 26.1 | 2.98 | 33.4 |       |
|                 | 60                     | 33.9   | 3.97                         | 32.9 | 31.9 | 3.96 | 33.3 | 30.0 | 3.61 | 33.7 | 29.0 | 3.44 | 33.9 | 28.1 | 3.27 | 34.1 | 26.1 | 2.95 | 34.5 |       |
|                 | 96                     | 33.9   | 3.86                         | 35.5 | 31.9 | 3.85 | 35.8 | 30.0 | 3.51 | 36.0 | 29.0 | 3.34 | 36.2 | 28.1 | 3.18 | 36.3 | 26.1 | 2.88 | 36.5 |       |
|                 | 120                    | 33.9   | 3.83                         | 36.4 | 31.9 | 3.82 | 36.6 | 30.0 | 3.48 | 36.8 | 29.0 | 3.32 | 36.  |      |      |      |      |      |      |       |

# 4 Capacity tables

## 4 - 3 Heating capacity tables

| RWEYQ8PY1       |                        | TC: Total Capacity: kW ; PI: Power Input: kW (compressor + outdoor fan motor) ; OWT: Outlet Water Temperatur: °C |                              |      |       |      |      |       |      |      |       |      |      |       |      |      |       |      |      |       |  |  |  |  |  |  |
|-----------------|------------------------|--|------------------------------|------|-------|------|------|-------|------|------|-------|------|------|-------|------|------|-------|------|------|-------|--|--|--|--|--|--|
| Combination (%) | Inlet Water Temp. (°C) | Water Volume (note2) L/min   | Indoor air temperature: °CWB |      |       |      |      |       |      |      |       |      |      |       |      |      |       |      |      |       |  |  |  |  |  |  |
|                 |                        |  | 16.0                         |      |       | 18.0 |      |       | 20.0 |      |       | 21.0 |      |       | 22.0 |      |       | 24.0 |      |       |  |  |  |  |  |  |
|                 |                        |  | TC                           | PI   | OWT   | TC   | PI   | OWT   | TC   | PI   | OWT   | TC   | PI   | OWT   | TC   | PI   | OWT   | TC   | PI   | OWT   |  |  |  |  |  |  |
| 100             | 10                     | 50   | 13.3                         | 2.06 | 6.78  | 13.4 | 2.01 | 6.72  | 13.6 | 1.98 | 6.68  | 13.6 | 1.97 | 6.67  | 13.6 | 1.97 | 6.66  | 13.7 | 1.99 | 6.65  |  |  |  |  |  |  |
|                 |                        | 60   | 15.5                         | 2.36 | 6.85  | 15.6 | 2.36 | 6.83  | 15.6 | 2.38 | 6.83  | 15.6 | 2.39 | 6.84  | 15.6 | 2.42 | 6.85  | 15.6 | 2.48 | 6.87  |  |  |  |  |  |  |
|                 |                        | 96   | 20.2                         | 3.40 | 7.49  | 20.1 | 3.48 | 7.51  | 20.0 | 3.59 | 7.54  | 20.0 | 3.65 | 7.56  | 19.9 | 3.71 | 7.58  | 19.7 | 3.85 | 7.63  |  |  |  |  |  |  |
|                 |                        | 120  | 21.2                         | 3.61 | 7.90  | 21.2 | 3.71 | 7.93  | 20.9 | 3.83 | 7.96  | 20.9 | 3.89 | 7.97  | 20.8 | 3.96 | 7.99  | 20.6 | 4.11 | 8.03  |  |  |  |  |  |  |
|                 | 15                     | 50   | 21.1                         | 3.57 | 9.97  | 21.0 | 3.67 | 10.02 | 20.9 | 3.78 | 10.10 | 20.8 | 3.84 | 10.14 | 20.7 | 3.91 | 10.18 | 20.5 | 4.06 | 10.28 |  |  |  |  |  |  |
|                 |                        | 60   | 21.7                         | 3.61 | 10.7  | 21.5 | 3.72 | 10.7  | 21.4 | 3.84 | 10.8  | 21.3 | 3.90 | 10.8  | 21.2 | 3.97 | 10.9  | 21.0 | 4.12 | 11.0  |  |  |  |  |  |  |
|                 |                        | 96   | 23.0                         | 3.75 | 12.1  | 22.9 | 3.86 | 12.2  | 22.7 | 3.99 | 12.2  | 22.6 | 4.06 | 12.2  | 22.5 | 4.13 | 12.3  | 21.8 | 4.05 | 12.4  |  |  |  |  |  |  |
|                 |                        | 120  | 23.5                         | 3.80 | 12.6  | 23.4 | 3.91 | 12.7  | 23.2 | 4.04 | 12.7  | 23.1 | 4.11 | 12.7  | 23.0 | 4.18 | 12.8  | 21.8 | 3.91 | 12.9  |  |  |  |  |  |  |
|                 | 20                     | 50   | 24.8                         | 3.92 | 14.0  | 24.7 | 4.05 | 14.1  | 24.4 | 4.18 | 14.2  | 24.2 | 4.19 | 14.3  | 23.4 | 3.98 | 14.4  | 21.8 | 3.57 | 14.8  |  |  |  |  |  |  |
|                 |                        | 60   | 25.0                         | 3.94 | 15.0  | 24.8 | 4.06 | 15.0  | 24.6 | 4.20 | 15.1  | 24.2 | 4.15 | 15.2  | 23.4 | 3.94 | 15.4  | 21.8 | 3.53 | 15.6  |  |  |  |  |  |  |
|                 |                        | 96   | 25.4                         | 3.98 | 16.8  | 25.2 | 4.11 | 16.8  | 25.0 | 4.24 | 16.9  | 24.2 | 4.03 | 17.0  | 23.4 | 3.83 | 17.1  | 21.8 | 3.43 | 17.3  |  |  |  |  |  |  |
|                 |                        | 120  | 25.6                         | 3.99 | 17.4  | 25.4 | 4.12 | 17.5  | 25.0 | 4.20 | 17.5  | 24.2 | 3.99 | 17.6  | 23.4 | 3.79 | 17.7  | 21.8 | 3.40 | 17.8  |  |  |  |  |  |  |
| 25              | 50                     | 27.2   | 4.16                         | 18.4 | 26.6  | 4.15 | 18.6 | 25.0  | 3.77 | 18.9 | 24.2  | 3.59 | 19.1 | 23.4  | 3.41 | 19.3 | 21.8  | 3.07 | 19.6 |       |  |  |  |  |  |  |
|                 | 60                     | 27.4   | 4.18                         | 19.5 | 26.6  | 4.11 | 19.6 | 25.0  | 3.73 | 19.9 | 24.2  | 3.55 | 20.1 | 23.4  | 3.37 | 20.2 | 21.8  | 3.04 | 20.5 |       |  |  |  |  |  |  |
|                 | 96                     | 27.8   | 4.22                         | 21.5 | 26.6  | 3.99 | 21.6 | 25.0  | 3.63 | 21.8 | 24.2  | 3.45 | 21.9 | 23.4  | 3.28 | 22.0 | 21.8  | 2.96 | 22.2 |       |  |  |  |  |  |  |
|                 | 120                    | 28.0   | 4.23                         | 22.2 | 26.6  | 3.96 | 22.3 | 25.0  | 3.60 | 22.4 | 24.2  | 3.42 | 22.5 | 23.4  | 3.25 | 22.6 | 21.8  | 2.93 | 22.7 |       |  |  |  |  |  |  |
| 30              | 50                     | 28.2   | 3.93                         | 23.0 | 26.6  | 3.60 | 23.4 | 25.0  | 3.28 | 23.8 | 24.2  | 3.12 | 24.0 | 23.4  | 2.97 | 24.1 | 21.8  | 2.68 | 24.5 |       |  |  |  |  |  |  |
|                 | 60                     | 28.2   | 3.89                         | 24.2 | 26.6  | 3.56 | 24.5 | 25.0  | 3.24 | 24.8 | 24.2  | 3.09 | 25.0 | 23.4  | 2.94 | 25.1 | 21.8  | 2.65 | 25.4 |       |  |  |  |  |  |  |
|                 | 96                     | 28.2   | 3.78                         | 26.4 | 26.6  | 3.46 | 26.5 | 25.0  | 3.15 | 26.7 | 24.2  | 3.01 | 26.8 | 23.4  | 2.86 | 26.9 | 21.8  | 2.59 | 27.1 |       |  |  |  |  |  |  |
|                 | 120                    | 28.2   | 3.75                         | 27.1 | 26.6  | 3.43 | 27.2 | 25.0  | 3.13 | 27.4 | 24.2  | 2.98 | 27.5 | 23.4  | 2.84 | 27.5 | 21.8  | 2.56 | 27.7 |       |  |  |  |  |  |  |
| 35              | 50                     | 28.2   | 3.45                         | 27.9 | 26.6  | 3.16 | 28.3 | 25.0  | 2.88 | 28.7 | 24.2  | 2.75 | 28.9 | 23.4  | 2.62 | 29.0 | 21.8  | 2.37 | 29.4 |       |  |  |  |  |  |  |
|                 | 60                     | 28.2   | 3.41                         | 29.1 | 26.6  | 3.12 | 29.4 | 25.0  | 2.85 | 29.7 | 24.2  | 2.72 | 29.9 | 23.4  | 2.60 | 30.0 | 21.8  | 2.35 | 30.4 |       |  |  |  |  |  |  |
|                 | 96                     | 28.2   | 3.32                         | 31.3 | 26.6  | 3.04 | 31.5 | 25.0  | 2.78 | 31.7 | 24.2  | 2.65 | 31.8 | 23.4  | 2.53 | 31.9 | 21.8  | 2.29 | 32.1 |       |  |  |  |  |  |  |
|                 | 120                    | 28.2   | 3.29                         | 32.0 | 26.6  | 3.02 | 32.2 | 25.0  | 2.76 | 32.3 | 24.2  | 2.63 | 32.4 | 23.4  | 2.51 | 32.5 | 21.8  | 2.28 | 32.7 |       |  |  |  |  |  |  |
| 40              | 50                     | 28.2   | 3.33                         | 32.9 | 26.6  | 3.06 | 33.3 | 25.0  | 2.80 | 33.6 | 24.2  | 2.68 | 33.8 | 23.4  | 2.55 | 34.0 | 21.8  | 2.32 | 34.4 |       |  |  |  |  |  |  |
|                 | 60                     | 28.2   | 3.29                         | 34.0 | 26.6  | 3.03 | 34.4 | 25.0  | 2.77 | 34.7 | 24.2  | 2.65 | 34.9 | 23.4  | 2.53 | 35.0 | 21.8  | 2.29 | 35.3 |       |  |  |  |  |  |  |
|                 | 96                     | 28.2   | 3.21                         | 36.3 | 26.6  | 2.95 | 36.5 | 25.0  | 2.70 | 36.7 | 24.2  | 2.58 | 36.8 | 23.4  | 2.47 | 36.9 | 21.8  | 2.24 | 37.1 |       |  |  |  |  |  |  |
|                 | 120                    | 28.2   | 3.18                         | 37.0 | 26.6  | 2.92 | 37.2 | 25.0  | 2.68 | 37.3 | 24.2  | 2.56 | 37.4 | 23.4  | 2.45 | 37.5 | 21.8  | 2.22 | 37.7 |       |  |  |  |  |  |  |
| 45              | 50                     | 28.2   | 3.23                         | 37.8 | 26.6  | 2.97 | 38.2 | 25.0  | 2.73 | 38.6 | 24.2  | 2.61 | 38.8 | 23.4  | 2.49 | 39.0 | 21.8  | 2.26 | 39.4 |       |  |  |  |  |  |  |
|                 | 60                     | 28.2   | 3.20                         | 39.0 | 26.6  | 2.94 | 39.3 | 25.0  | 2.70 | 39.7 | 24.2  | 2.58 | 39.8 | 23.4  | 2.47 | 40.0 | 21.8  | 2.24 | 40.3 |       |  |  |  |  |  |  |
|                 | 96                     | 28.2   | 3.11                         | 41.3 | 26.6  | 2.87 | 41.5 | 25.0  | 2.63 | 41.7 | 24.2  | 2.52 | 41.8 | 23.4  | 2.40 | 41.9 | 21.8  | 2.18 | 42.1 |       |  |  |  |  |  |  |
|                 | 120                    | 28.2   | 3.09                         | 42.0 | 26.6  | 2.85 | 42.2 | 25.0  | 2.61 | 42.3 | 24.2  | 2.50 | 42.4 | 23.4  | 2.39 | 42.5 | 21.8  | 2.16 | 42.7 |       |  |  |  |  |  |  |
| 90              | 10                     | 50   | 13.5                         | 1.98 | 6.69  | 13.6 | 1.97 | 6.66  | 13.7 | 1.98 | 6.65  | 13.7 | 1.99 | 6.65  | 13.7 | 2.01 | 6.66  | 13.6 | 2.05 | 6.68  |  |  |  |  |  |  |
|                 |                        | 60   | 15.6                         | 2.37 | 6.83  | 15.6 | 2.40 | 6.84  | 15.6 | 2.45 | 6.86  | 15.6 | 2.48 | 6.87  | 15.5 | 2.52 | 6.89  | 15.4 | 2.60 | 6.93  |  |  |  |  |  |  |
|                 |                        | 96   | 20.1                         | 3.56 | 7.54  | 19.9 | 3.67 | 7.57  | 19.8 | 3.79 | 7.61  | 19.7 | 3.85 | 7.63  | 19.6 | 3.92 | 7.65  | 19.4 | 4.07 | 7.71  |  |  |  |  |  |  |
|                 |                        | 120  | 21.0                         | 3.80 | 7.95  | 20.8 | 3.91 | 7.98  | 20.7 | 4.04 | 8.01  | 20.6 | 4.11 | 8.03  | 20.5 | 4.18 | 8.05  | 19.6 | 4.01 | 8.14  |  |  |  |  |  |  |
|                 | 15                     | 50   | 20.9                         | 3.75 | 10.08 | 20.8 | 3.86 | 10.15 | 20.6 | 3.99 | 10.23 | 20.5 | 4.06 | 10.28 | 20.4 | 4.13 | 10.3  | 19.6 | 3.98 | 10.5  |  |  |  |  |  |  |
|                 |                        | 60   | 21.4                         | 3.81 | 10.8  | 21.3 | 3.92 | 10.9  | 21.1 | 4.05 | 10.9  | 21.0 | 4.12 | 11.0  | 20.9 | 4.20 | 11.0  | 19.6 | 3.82 | 11.2  |  |  |  |  |  |  |
|                 |                        | 96   | 22.8                         | 3.95 | 12.2  | 22.6 | 4.08 | 12.2  | 22.4 | 4.21 | 12.3  | 21.8 | 4.05 | 12.4  | 21.1 | 3.85 | 12.4  | 19.6 | 3.45 | 12.6  |  |  |  |  |  |  |
|                 |                        | 120  | 23.2                         | 4.01 | 12.7  | 23.0 | 4.13 | 12.7  | 22.5 | 4.11 | 12.8  | 21.8 | 3.91 | 12.9  | 21.1 | 3.71 | 12.9  | 19.6 | 3.34 | 13.1  |  |  |  |  |  |  |
|                 | 20                     | 50   | 24.5                         | 4.15 | 14.2  | 23.9 | 4.13 | 14.3  | 22.5 | 3.75 | 14.6  | 21.8 | 3.57 | 14.8  | 21.1 | 3.39 | 14.9  | 19.6 | 3.05 | 15.3  |  |  |  |  |  |  |
|                 |                        | 60   | 24.7                         | 4.16 | 15.1  | 23.9 | 4.08 | 15.3  | 22.5 | 3.71 | 15.5  | 21.8 | 3.53 | 15.6  | 21.1 | 3.35 | 15.8  | 19.6 | 3.02 | 16.0  |  |  |  |  |  |  |
|                 |                        | 96   | 25.1                         | 4.21 | 16.9  | 23.9 | 3.97 | 17.0  | 22.5 | 3.60 | 17.2  | 21.8 | 3.43 | 17.3  | 21.1 | 3.26 | 17.3  | 19.6 | 2.94 | 17.5  |  |  |  |  |  |  |
|                 |                        | 120  | 25.2                         | 4.22 | 17.5  | 23.9 | 3.93 | 17.6  | 22.5 | 3.57 | 17.7  | 21.8 | 3.40 | 17.8  | 21.1 | 3.23 | 17.9  | 19.6 | 2.91 | 18.0  |  |  |  |  |  |  |
| 25              | 50                     | 25.4   | 3.86                         | 18.8 | 23.9  | 3.53 | 19.1 | 22.5  | 3.22 | 19.5 | 21.8  | 3.07 | 19.6 | 21.1  | 2.92 | 19.8 | 19.6  | 2.64 | 20.1 |       |  |  |  |  |  |  |
|                 | 60                     | 25.4   | 3.82                         | 19.8 | 23.9  | 3.49 | 20.1 | 22.5  | 3.18 | 20.4 | 21.8  | 3.03 | 20.5 | 21.1  | 2.89 | 20.7 | 19.6  | 2.61 | 20.9 |       |  |  |  |  |  |  |
|                 | 96                     | 25.4   | 3.71                         | 21.8 | 23.9  | 3.40 | 21.9 | 22.5  | 3.10 | 22.1 | 21.8  | 2.95 | 22.2 | 21.1  | 2.81 | 22.3 | 19.6  | 2.54 | 22.5 |       |  |  |  |  |  |  |
|                 | 120                    | 25.4   | 3.68                         | 22.4 | 23.9  | 3.37 | 22.5 | 22.5  | 3.07 | 22.7 | 21.8  | 2.93 | 22.7 | 21.1  | 2.79 | 22.8 | 19.6  | 2.52 | 23.0 |       |  |  |  |  |  |  |
| 30              | 50                     | 25.4   | 3.35                         | 23.7 | 23.9  | 3.07 | 24.0 | 22.5  | 2.81 | 24.4 | 21.8  | 2.68 | 24.5 | 21.1  | 2.55 | 24.7 | 19.6  | 2.32 | 25.0 |       |  |  |  |  |  |  |
|                 | 60                     | 25.4   | 3.32                         | 24.7 | 23.9  | 3.04 | 25.0 | 22.5  | 2.78 | 25.3 | 21.8  | 2.65 | 25.4 | 21.1  | 2.53 | 25.6 | 19.6  | 2.29 | 25.9 |       |  |  |  |  |  |  |
|                 | 96                     | 25.4   | 3.23                         | 26.7 | 23.9  | 2.96 | 26.9 | 22.5  | 2.71 | 27.0 | 21.8  | 2.58 | 27.1 | 21.1  | 2.47 | 27.2 | 19.6  | 2.24 | 27.4 |       |  |  |  |  |  |  |
|                 | 120                    | 25.4   | 3.20                         | 27.4 | 23.9  | 2.94 | 27.5 | 22.5  | 2.68 | 27.6 | 21.8  | 2.56 | 27.7 | 21.1  | 2.45 | 27.8 | 19.6  | 2.22 | 27.9 |       |  |  |  |  |  |  |
| 35              | 50                     | 25.4   | 2.95                         | 28.6 | 23.9  | 2.71 | 28.9 | 22.5  | 2.48 | 29.3 | 21.8  | 2.37 | 29.4 | 21.1  | 2.27 | 29.6 | 19.6  | 2.06 | 30.0 |       |  |  |  |  |  |  |
|                 | 60                     | 25.4   | 2.92                         | 29.6 | 23.9  | 2.68 | 29.9 | 22.5  | 2.46 | 30.2 | 21.8  | 2.35 | 30.4 | 21.1  | 2.24 | 30.5 | 19.6  | 2.04 | 30.8 |       |  |  |  |  |  |  |
|                 | 96                     | 25.4   | 2.84                         | 31.6 | 23.9  | 2.61 | 31.8 | 22.5  | 2.40 | 32.0 | 21.8  | 2.29 | 32.1 | 21.1  | 2.19 | 32.2 | 19.6  | 1.99 | 32.4 |       |  |  |  |  |  |  |
|                 | 120                    | 25.4   | 2.82                         | 32.3 | 23.9  | 2.59 | 32.5 | 22.5  | 2.38 | 32.6 | 21.8  | 2.27 | 32.7 | 21.1  | 2.17 | 32.7 | 19.6  | 1.98 | 32.9 |       |  |  |  |  |  |  |
| 40              | 50                     | 25.4   | 2.86                         | 33.5 | 23.9  | 2.64 | 33.9 | 22.5  | 2.42 | 34.2 | 21.8  | 2.31 | 34.4 | 21.1  | 2.21 | 34.6 | 19.6  | 2.01 | 35.0 |       |  |  |  |  |  |  |
|                 | 60                     | 25.4   | 2.83                         | 34.6 | 23.9  | 2.61 | 34.9 | 22.5  | 2.40 | 35.2 | 21.8  | 2.29 | 35.3 | 21.1  | 2.19 | 35.5 | 19.6  | 1.99 | 35.8 |       |  |  |  |  |  |  |
|                 | 96                     | 25.4   | 2.76                         | 36.6 | 23.9  | 2.55 | 36.8 | 22.5  | 2.34 | 37.0 | 21.8  | 2.23 | 37.1 | 21.1  | 2.14 | 37.2 | 19.6  | 1.94 | 37.4 |       |  |  |  |  |  |  |
|                 | 120                    | 25.4   | 2.74                         | 37.3 | 23.9  | 2.53 | 37.4 | 22.5  | 2.32 | 37.6 | 21.8  | 2.22 | 37.7 | 21.1  | 2.12 | 37.7 | 19.6  | 1.93 | 37.9 |       |  |  |  |  |  |  |
| 45              | 50                     | 25.4   | 2.79                         | 38.5 | 23.9  | 2.57 | 38.9 | 22.5  | 2.36 | 39.2 | 21.8  | 2.26 | 39.4 | 21.1  | 2.15 | 39.6 | 19.6  | 1.96 | 39.9 |       |  |  |  |  |  |  |
|                 | 60                     | 25.4   | 2.76                         | 39.6 | 23.9  | 2.55 | 39.9 | 22.5  | 2.34 | 40.2 | 21.8  | 2.23 | 40.3 | 21.1  | 2.13 | 40.5 | 19.6  | 1.94 | 40.8 |       |  |  |  |  |  |  |
|                 | 96                     | 25.4   | 2.69                         | 41.6 | 23.9  | 2.48 | 41.8 | 22.5  | 2.28 | 42.0 | 21.8  | 2.18 | 42.1 | 21.1  | 2.08 | 42.2 | 19.6  | 1.89 | 42.4 |       |  |  |  |  |  |  |
|                 | 120                    | 25.4   | 2.67                         | 42.3 | 23.9  | 2.46 | 42.4 | 22.5  | 2.26 | 42.6 | 21.8  | 2.16 | 42.7 | 21.1  | 2.07 | 42.7 | 19.6  | 1.88 | 42.9 |       |  |  |  |  |  |  |
| 80              | 10                     | 50   | 13.7                         | 1.98 | 6.65  | 13.7 | 2.00 | 6.66  | 13.6 | 2.04 | 6.67  | 13.6 | 2.06 | 6.69  | 13.6 | 2.09 | 6.70  | 13.5 | 2.16 | 6.74  |  |  |  |  |  |  |
|                 |                        | 60   | 15.6                         | 2.45 | 6.86  | 15.6 | 2.50 | 6.88  | 15.5 | 2.58 | 6.92  | 15.  |      |       |      |      |       |      |      |       |  |  |  |  |  |  |



# 4 Capacity tables

## 4 - 3 Heating capacity tables

| RWEYQ8PY1       |                        |                            | TC: Total Capacity: kW ; PI: Power Input: kW (compressor + outdoor fan motor) ; OWT: Outlet Water Temperatur: °C |      |       |      |      |      |      |      |      |      |      |      |      |      |      |      |      |      |
|-----------------|------------------------|----------------------------|--|------|-------|------|------|------|------|------|------|------|------|------|------|------|------|------|------|------|
| Combination (%) | Inlet Water Temp. (°C) | Water Volume (note2) L/min | Indoor air temperature: °CWB   |      |       |      |      |      |      |      |      |      |      |      |      |      |      |      |      |      |
|                 |                        |                            | 16.0   |      |       | 18.0 |      |      | 20.0 |      |      | 21.0 |      |      | 22.0 |      |      | 24.0 |      |      |
|                 |                        |                            | TC   | PI   | OWT   | TC   | PI   | OWT  | TC   | PI   | OWT  | TC   | PI   | OWT  | TC   | PI   | OWT  | TC   | PI   | OWT  |
| 70              | 10                     | 50                         | 13.6   | 2.05 | 6.68  | 13.6 | 2.09 | 6.71 | 13.5 | 2.15 | 6.74 | 13.5 | 2.19 | 6.76 | 13.4 | 2.22 | 6.79 | 13.3 | 2.31 | 6.84 |
|                 |                        | 60                         | 15.5   | 2.59 | 6.93  | 15.4 | 2.67 | 6.97 | 15.3 | 2.75 | 7.01 | 15.2 | 2.80 | 7.04 | 15.1 | 2.85 | 7.07 | 15.0 | 2.96 | 7.13 |
|                 |                        | 96                         | 19.5   | 4.05 | 7.70  | 18.6 | 3.84 | 7.79 | 17.5 | 3.49 | 7.91 | 16.9 | 3.32 | 7.97 | 16.4 | 3.16 | 8.03 | 15.3 | 2.84 | 8.15 |
|                 |                        | 120                        | 19.8   | 4.05 | 8.13  | 18.6 | 3.70 | 8.22 | 17.5 | 3.37 | 8.31 | 16.9 | 3.21 | 8.36 | 16.4 | 3.05 | 8.41 | 15.3 | 2.75 | 8.51 |
|                 | 15                     | 50                         | 19.8   | 4.02 | 10.49 | 18.6 | 3.68 | 10.7 | 17.5 | 3.35 | 10.9 | 16.9 | 3.19 | 11.1 | 16.4 | 3.03 | 11.2 | 15.3 | 2.73 | 11.4 |
|                 |                        | 60                         | 19.8   | 3.86 | 11.2  | 18.6 | 3.53 | 11.4 | 17.5 | 3.22 | 11.6 | 16.9 | 3.06 | 11.7 | 16.4 | 2.92 | 11.8 | 15.3 | 2.63 | 12.0 |
|                 |                        | 96                         | 19.8   | 3.49 | 12.6  | 18.6 | 3.19 | 12.7 | 17.5 | 2.92 | 12.8 | 16.9 | 2.78 | 12.9 | 16.4 | 2.65 | 13.0 | 15.3 | 2.40 | 13.1 |
|                 |                        | 120                        | 19.8   | 3.37 | 13.0  | 18.6 | 3.09 | 13.1 | 17.5 | 2.82 | 13.2 | 16.9 | 2.69 | 13.3 | 16.4 | 2.57 | 13.4 | 15.3 | 2.32 | 13.5 |
|                 | 20                     | 50                         | 19.8   | 3.08 | 15.2  | 18.6 | 2.83 | 15.5 | 17.5 | 2.59 | 15.7 | 16.9 | 2.47 | 15.9 | 16.4 | 2.36 | 16.0 | 15.3 | 2.14 | 16.2 |
|                 |                        | 60                         | 19.8   | 3.05 | 16.0  | 18.6 | 2.80 | 16.2 | 17.5 | 2.56 | 16.4 | 16.9 | 2.45 | 16.5 | 16.4 | 2.34 | 16.6 | 15.3 | 2.12 | 16.9 |
|                 |                        | 96                         | 19.8   | 2.97 | 17.5  | 18.6 | 2.73 | 17.6 | 17.5 | 2.50 | 17.8 | 16.9 | 2.39 | 17.8 | 16.4 | 2.28 | 17.9 | 15.3 | 2.07 | 18.0 |
|                 |                        | 120                        | 19.8   | 2.94 | 18.0  | 18.6 | 2.70 | 18.1 | 17.5 | 2.48 | 18.2 | 16.9 | 2.37 | 18.3 | 16.4 | 2.26 | 18.3 | 15.3 | 2.05 | 18.4 |
| 25              | 50                     | 19.8                       | 2.66   | 20.1 | 18.6  | 2.45 | 20.4 | 17.5 | 2.25 | 20.6 | 16.9 | 2.15 | 20.8 | 16.4 | 2.06 | 20.9 | 15.3 | 1.88 | 21.2 |      |
|                 | 60                     | 19.8                       | 2.64   | 20.9 | 18.6  | 2.43 | 21.1 | 17.5 | 2.23 | 21.4 | 16.9 | 2.13 | 21.5 | 16.4 | 2.04 | 21.6 | 15.3 | 1.86 | 21.8 |      |
|                 | 96                     | 19.8                       | 2.57   | 22.4 | 18.6  | 2.37 | 22.6 | 17.5 | 2.17 | 22.7 | 16.9 | 2.08 | 22.8 | 16.4 | 1.99 | 22.9 | 15.3 | 1.82 | 23.0 |      |
|                 | 120                    | 19.8                       | 2.55   | 22.9 | 18.6  | 2.35 | 23.1 | 17.5 | 2.16 | 23.2 | 16.9 | 2.07 | 23.2 | 16.4 | 1.98 | 23.3 | 15.3 | 1.80 | 23.4 |      |
| 30              | 50                     | 19.8                       | 2.34   | 25.0 | 18.6  | 2.16 | 25.3 | 17.5 | 1.99 | 25.6 | 16.9 | 1.91 | 25.7 | 16.4 | 1.83 | 25.8 | 15.3 | 1.67 | 26.1 |      |
|                 | 60                     | 19.8                       | 2.31   | 25.8 | 18.6  | 2.14 | 26.1 | 17.5 | 1.97 | 26.3 | 16.9 | 1.89 | 26.4 | 16.4 | 1.81 | 26.5 | 15.3 | 1.66 | 26.8 |      |
|                 | 96                     | 19.8                       | 2.26   | 27.4 | 18.6  | 2.09 | 27.5 | 17.5 | 1.92 | 27.7 | 16.9 | 1.85 | 27.7 | 16.4 | 1.77 | 27.8 | 15.3 | 1.62 | 28.0 |      |
|                 | 120                    | 19.8                       | 2.24   | 27.9 | 18.6  | 2.07 | 28.0 | 17.5 | 1.91 | 28.1 | 16.9 | 1.83 | 28.2 | 16.4 | 1.76 | 28.3 | 15.3 | 1.61 | 28.4 |      |
| 35              | 50                     | 19.8                       | 2.08   | 29.9 | 18.6  | 1.93 | 30.2 | 17.5 | 1.78 | 30.5 | 16.9 | 1.71 | 30.6 | 16.4 | 1.64 | 30.8 | 15.3 | 1.51 | 31.1 |      |
|                 | 60                     | 19.8                       | 2.06   | 30.8 | 18.6  | 1.91 | 31.0 | 17.5 | 1.76 | 31.2 | 16.9 | 1.69 | 31.4 | 16.4 | 1.63 | 31.5 | 15.3 | 1.49 | 31.7 |      |
|                 | 96                     | 19.8                       | 2.01   | 32.4 | 18.6  | 1.87 | 32.5 | 17.5 | 1.72 | 32.6 | 16.9 | 1.66 | 32.7 | 16.4 | 1.59 | 32.8 | 15.3 | 1.46 | 32.9 |      |
|                 | 120                    | 19.8                       | 2.00   | 32.9 | 18.6  | 1.85 | 33.0 | 17.5 | 1.71 | 33.1 | 16.9 | 1.65 | 33.2 | 16.4 | 1.58 | 33.2 | 15.3 | 1.45 | 33.4 |      |
| 40              | 50                     | 19.8                       | 2.03   | 34.9 | 18.6  | 1.88 | 35.2 | 17.5 | 1.74 | 35.5 | 16.9 | 1.67 | 35.6 | 16.4 | 1.60 | 35.8 | 15.3 | 1.47 | 36.1 |      |
|                 | 60                     | 19.8                       | 2.01   | 35.8 | 18.6  | 1.86 | 36.0 | 17.5 | 1.72 | 36.2 | 16.9 | 1.65 | 36.3 | 16.4 | 1.59 | 36.5 | 15.3 | 1.46 | 36.7 |      |
|                 | 96                     | 19.8                       | 1.96   | 37.3 | 18.6  | 1.82 | 37.5 | 17.5 | 1.68 | 37.6 | 16.9 | 1.62 | 37.7 | 16.4 | 1.55 | 37.8 | 15.3 | 1.43 | 37.9 |      |
|                 | 120                    | 19.8                       | 1.95   | 37.9 | 18.6  | 1.80 | 38.0 | 17.5 | 1.67 | 38.1 | 16.9 | 1.60 | 38.2 | 16.4 | 1.54 | 38.2 | 15.3 | 1.42 | 38.3 |      |
| 45              | 50                     | 19.8                       | 1.98   | 39.9 | 18.6  | 1.83 | 40.2 | 17.5 | 1.69 | 40.5 | 16.9 | 1.63 | 40.6 | 16.4 | 1.56 | 40.8 | 15.3 | 1.43 | 41.0 |      |
|                 | 60                     | 19.8                       | 1.96   | 40.8 | 18.6  | 1.82 | 41.0 | 17.5 | 1.68 | 41.2 | 16.9 | 1.61 | 41.3 | 16.4 | 1.55 | 41.5 | 15.3 | 1.42 | 41.7 |      |
|                 | 96                     | 19.8                       | 1.91   | 42.3 | 18.6  | 1.77 | 42.5 | 17.5 | 1.64 | 42.6 | 16.9 | 1.58 | 42.7 | 16.4 | 1.51 | 42.8 | 15.3 | 1.39 | 42.9 |      |
|                 | 120                    | 19.8                       | 1.90   | 42.9 | 18.6  | 1.76 | 43.0 | 17.5 | 1.63 | 43.1 | 16.9 | 1.56 | 43.2 | 16.4 | 1.50 | 43.2 | 15.3 | 1.38 | 43.3 |      |
| 60              | 10                     | 50                         | 13.5   | 2.19 | 6.76  | 13.4 | 2.25 | 6.81 | 13.3 | 2.33 | 6.86 | 13.2 | 2.37 | 6.88 | 13.2 | 2.41 | 6.91 | 13.1 | 2.50 | 6.98 |
|                 |                        | 60                         | 15.2   | 2.80 | 7.04  | 15.1 | 2.89 | 7.09 | 14.9 | 2.98 | 7.14 | 14.5 | 2.86 | 7.22 | 14.0 | 2.72 | 7.30 | 13.1 | 2.44 | 7.46 |
|                 |                        | 96                         | 16.9   | 3.32 | 7.97  | 16.0 | 3.04 | 8.07 | 15.0 | 2.77 | 8.17 | 14.5 | 2.65 | 8.23 | 14.0 | 2.52 | 8.28 | 13.1 | 2.28 | 8.39 |
|                 |                        | 120                        | 16.9   | 3.21 | 8.36  | 16.0 | 2.94 | 8.44 | 15.0 | 2.69 | 8.53 | 14.5 | 2.57 | 8.57 | 14.0 | 2.45 | 8.62 | 13.1 | 2.22 | 8.70 |
|                 | 15                     | 50                         | 16.9   | 3.18 | 11.06 | 16.0 | 2.92 | 11.3 | 15.0 | 2.67 | 11.5 | 14.5 | 2.55 | 11.6 | 14.0 | 2.43 | 11.7 | 13.1 | 2.21 | 11.9 |
|                 |                        | 60                         | 16.9   | 3.06 | 11.7  | 16.0 | 2.81 | 11.9 | 15.0 | 2.57 | 12.0 | 14.5 | 2.46 | 12.1 | 14.0 | 2.34 | 12.2 | 13.1 | 2.13 | 12.4 |
|                 |                        | 96                         | 16.9   | 2.78 | 12.9  | 16.0 | 2.56 | 13.0 | 15.0 | 2.34 | 13.1 | 14.5 | 2.24 | 13.2 | 14.0 | 2.14 | 13.2 | 13.1 | 1.95 | 13.3 |
|                 |                        | 120                        | 16.9   | 2.69 | 13.3  | 16.0 | 2.48 | 13.4 | 15.0 | 2.27 | 13.5 | 14.5 | 2.17 | 13.5 | 14.0 | 2.08 | 13.6 | 13.1 | 1.89 | 13.7 |
|                 | 20                     | 50                         | 16.9   | 2.47 | 15.9  | 16.0 | 2.28 | 16.1 | 15.0 | 2.10 | 16.3 | 14.5 | 2.01 | 16.4 | 14.0 | 1.92 | 16.5 | 13.1 | 1.75 | 16.8 |
|                 |                        | 60                         | 16.9   | 2.45 | 16.5  | 16.0 | 2.26 | 16.7 | 15.0 | 2.08 | 16.9 | 14.5 | 1.99 | 17.0 | 14.0 | 1.90 | 17.1 | 13.1 | 1.74 | 17.3 |
|                 |                        | 96                         | 16.9   | 2.38 | 17.8  | 16.0 | 2.20 | 17.9 | 15.0 | 2.03 | 18.1 | 14.5 | 1.94 | 18.1 | 14.0 | 1.86 | 18.2 | 13.1 | 1.70 | 18.3 |
|                 |                        | 120                        | 16.9   | 2.37 | 18.3  | 16.0 | 2.18 | 18.4 | 15.0 | 2.01 | 18.4 | 14.5 | 1.93 | 18.5 | 14.0 | 1.84 | 18.5 | 13.1 | 1.69 | 18.6 |
| 25              | 50                     | 16.9                       | 2.15   | 20.8 | 16.0  | 1.99 | 21.0 | 15.0 | 1.84 | 21.2 | 14.5 | 1.76 | 21.3 | 14.0 | 1.69 | 21.5 | 13.1 | 1.55 | 21.7 |      |
|                 | 60                     | 16.9                       | 2.13   | 21.5 | 16.0  | 1.97 | 21.7 | 15.0 | 1.82 | 21.9 | 14.5 | 1.75 | 22.0 | 14.0 | 1.68 | 22.0 | 13.1 | 1.54 | 22.2 |      |
|                 | 96                     | 16.9                       | 2.08   | 22.8 | 16.0  | 1.93 | 22.9 | 15.0 | 1.78 | 23.0 | 14.5 | 1.71 | 23.1 | 14.0 | 1.64 | 23.2 | 13.1 | 1.51 | 23.3 |      |
|                 | 120                    | 16.9                       | 2.06   | 23.2 | 16.0  | 1.91 | 23.3 | 15.0 | 1.77 | 23.4 | 14.5 | 1.70 | 23.5 | 14.0 | 1.63 | 23.5 | 13.1 | 1.49 | 23.6 |      |
| 30              | 50                     | 16.9                       | 1.90   | 25.7 | 16.0  | 1.77 | 25.9 | 15.0 | 1.64 | 26.2 | 14.5 | 1.57 | 26.3 | 14.0 | 1.51 | 26.4 | 13.1 | 1.39 | 26.7 |      |
|                 | 60                     | 16.9                       | 1.89   | 26.4 | 16.0  | 1.75 | 26.6 | 15.0 | 1.62 | 26.8 | 14.5 | 1.56 | 26.9 | 14.0 | 1.50 | 27.0 | 13.1 | 1.38 | 27.2 |      |
|                 | 96                     | 16.9                       | 1.84   | 27.7 | 16.0  | 1.71 | 27.9 | 15.0 | 1.59 | 28.0 | 14.5 | 1.53 | 28.1 | 14.0 | 1.47 | 28.1 | 13.1 | 1.35 | 28.3 |      |
|                 | 120                    | 16.9                       | 1.83   | 28.2 | 16.0  | 1.70 | 28.3 | 15.0 | 1.58 | 28.4 | 14.5 | 1.52 | 28.4 | 14.0 | 1.46 | 28.5 | 13.1 | 1.34 | 28.6 |      |
| 35              | 50                     | 16.9                       | 1.71   | 30.6 | 16.0  | 1.59 | 30.9 | 15.0 | 1.48 | 31.1 | 14.5 | 1.42 | 31.2 | 14.0 | 1.37 | 31.4 | 13.1 | 1.27 | 31.6 |      |
|                 | 60                     | 16.9                       | 1.69   | 31.4 | 16.0  | 1.58 | 31.6 | 15.0 | 1.47 | 31.8 | 14.5 | 1.41 | 31.9 | 14.0 | 1.36 | 32.0 | 13.1 | 1.26 | 32.2 |      |
|                 | 96                     | 16.9                       | 1.66   | 32.7 | 16.0  | 1.54 | 32.8 | 15.0 | 1.44 | 33.0 | 14.5 | 1.38 | 33.0 | 14.0 | 1.33 | 33.1 | 13.1 | 1.23 | 33.2 |      |
|                 | 120                    | 16.9                       | 1.64   | 33.2 | 16.0  | 1.53 | 33.3 | 15.0 | 1.43 | 33.4 | 14.5 | 1.37 | 33.4 | 14.0 | 1.32 | 33.5 | 13.1 | 1.23 | 33.6 |      |
| 40              | 50                     | 16.9                       | 1.67   | 35.6 | 16.0  | 1.55 | 35.9 | 15.0 | 1.44 | 36.1 | 14.5 | 1.39 | 36.2 | 14.0 | 1.34 | 36.4 | 13.1 | 1.24 | 36.6 |      |
|                 | 60                     | 16.9                       | 1.65   | 36.4 | 16.0  | 1.54 | 36.6 | 15.0 | 1.43 | 36.8 | 14.5 | 1.38 | 36.9 | 14.0 | 1.33 | 37.0 | 13.1 | 1.23 | 37.2 |      |
|                 | 96                     | 16.9                       | 1.61   | 37.7 | 16.0  | 1.50 | 37.8 | 15.0 | 1.40 | 38.0 | 14.5 | 1.35 | 38.0 | 14.0 | 1.30 | 38.1 | 13.1 | 1.20 | 38.2 |      |
|                 | 120                    | 16.9                       | 1.60   | 38.2 | 16.0  | 1.49 | 38.3 | 15.0 | 1.39 | 38.4 | 14.5 | 1.34 | 38.4 | 14.0 | 1.29 | 38.5 | 13.1 | 1.19 | 38.6 |      |
| 45              | 50                     | 16.9                       | 1.62   | 40.6 | 16.0  | 1.51 | 40.9 | 15.0 | 1.40 | 41.1 | 14.5 | 1.35 | 41.2 | 14.0 | 1.30 | 41.4 | 13.1 | 1.20 | 41.6 |      |
|                 | 60                     | 16.9                       | 1.61   | 41.3 | 16.0  | 1.50 | 41.5 | 15.0 | 1.39 | 41.8 | 14.5 | 1.34 | 41.9 | 14.0 | 1.29 | 42.0 | 13.1 | 1.20 | 42.2 |      |
|                 | 96                     | 16.9                       | 1.57   | 42.7 | 16.0  | 1.47 | 42.8 | 15.0 | 1.36 | 43.0 | 14.5 | 1.31 | 43.0 | 14.0 | 1.27 | 43.1 | 13.1 | 1.17 | 43.2 |      |
|                 | 120                    | 16.9                       | 1.56   | 43.2 | 16.0  | 1.46 | 43.3 | 15.0 | 1.36 | 43.4 | 14.5 | 1.31 | 43.4 | 14.0 | 1.26 | 43.5 | 13.1 | 1.16 | 43.6 |      |
| 50              | 10                     | 50                         | 13.2   | 2.40 | 6.91  | 13.1 | 2.48 | 6.96 | 12.5 | 2.34 | 7.09 | 12.1 | 2.23 | 7.17 | 11.7 | 2.12 | 7.25 | 10.9 | 1.90 | 7.42 |
|                 |                        | 60                         | 14.1   | 2.74 | 7.28  | 13.3 | 2.50 | 7.42 | 12.5 | 2.28 | 7.56 | 12.1 | 2.   |      |      |      |      |      |      |      |

# 4 Capacity tables

## 4 - 3 Heating capacity tables

| RWEYQ10PY1      |                        | TC: Total Capacity: kW ; PI: Power Input: kW (compressor + outdoor fan motor) ; OWT: Outlet Water Temperatur: °C |                              |       |        |       |       |        |       |       |        |       |       |        |       |       |        |       |       |        |
|-----------------|------------------------|--|------------------------------|-------|--------|-------|-------|--------|-------|-------|--------|-------|-------|--------|-------|-------|--------|-------|-------|--------|
| Combination (%) | Inlet Water Temp. (°C) | Water Volume (note2) L/min   | Indoor air temperature: °CWB |       |        |       |       |        |       |       |        |       |       |        |       |       |        |       |       |        |
|                 |                        |  | 16.0                         |       |        | 18.0  |       |        | 20.0  |       |        | 21.0  |       |        | 22.0  |       |        | 24.0  |       |        |
|                 |                        |  | TC kW                        | PI kW | OWT °C | TC kW | PI kW | OWT °C | TC kW | PI kW | OWT °C | TC kW | PI kW | OWT °C | TC kW | PI kW | OWT °C | TC kW | PI kW | OWT °C |
| 130             | 10                     | 50   | 14.8                         | 3.90  | 6.88   | 15.4  | 3.58  | 6.61   | 15.9  | 3.31  | 6.38   | 16.2  | 3.20  | 6.28   | 16.4  | 3.10  | 6.19   | 16.7  | 2.95  | 6.05   |
|                 |                        | 60   | 18.4                         | 3.89  | 6.54   | 18.8  | 3.68  | 6.39   | 19.1  | 3.53  | 6.27   | 19.3  | 3.47  | 6.22   | 19.4  | 3.42  | 6.18   | 19.6  | 3.37  | 6.13   |
|                 |                        | 120  | 26.8                         | 4.78  | 7.37   | 26.9  | 4.81  | 7.36   | 26.9  | 4.88  | 7.37   | 26.9  | 4.93  | 7.38   | 26.8  | 4.99  | 7.39   | 26.7  | 5.14  | 7.43   |
|                 | 15                     | 50   | 26.8                         | 4.73  | 8.69   | 26.8  | 4.76  | 8.68   | 26.8  | 4.83  | 8.70   | 26.8  | 4.88  | 8.72   | 26.8  | 4.93  | 8.75   | 26.6  | 5.08  | 8.82   |
|                 |                        | 60   | 27.5                         | 4.74  | 9.56   | 27.6  | 4.79  | 9.56   | 27.5  | 4.87  | 9.59   | 27.5  | 4.93  | 9.61   | 27.4  | 4.99  | 9.64   | 27.3  | 5.15  | 9.71   |
|                 |                        | 120  | 30.2                         | 4.85  | 12.0   | 30.2  | 4.94  | 12.0   | 30.0  | 5.06  | 12.0   | 30.0  | 5.14  | 12.0   | 29.9  | 5.22  | 12.1   | 29.7  | 5.41  | 12.1   |
|                 | 20                     | 50   | 32.1                         | 4.95  | 12.2   | 32.0  | 5.07  | 12.3   | 31.8  | 5.22  | 12.4   | 31.7  | 5.30  | 12.4   | 31.6  | 5.39  | 12.5   | 31.3  | 5.59  | 12.6   |
|                 |                        | 60   | 32.3                         | 4.97  | 13.5   | 32.2  | 5.09  | 13.5   | 32.0  | 5.24  | 13.6   | 31.9  | 5.32  | 13.7   | 31.8  | 5.41  | 13.7   | 31.5  | 5.61  | 13.8   |
|                 |                        | 120  | 33.1                         | 5.02  | 16.7   | 32.9  | 5.15  | 16.7   | 32.7  | 5.30  | 16.7   | 32.6  | 5.39  | 16.7   | 32.5  | 5.48  | 16.8   | 32.2  | 5.69  | 16.8   |
|                 | 25                     | 50   | 35.3                         | 5.20  | 16.4   | 35.1  | 5.34  | 16.5   | 34.9  | 5.52  | 16.6   | 34.8  | 5.61  | 16.6   | 34.6  | 5.71  | 16.7   | 34.3  | 5.93  | 16.9   |
|                 |                        | 60   | 35.6                         | 5.22  | 17.8   | 35.4  | 5.37  | 17.8   | 35.1  | 5.54  | 17.9   | 35.0  | 5.63  | 18.0   | 34.8  | 5.73  | 18.1   | 34.5  | 5.95  | 18.2   |
|                 |                        | 120  | 36.2                         | 5.26  | 20.4   | 36.0  | 5.42  | 20.4   | 35.7  | 5.59  | 20.5   | 35.6  | 5.69  | 20.5   | 35.4  | 5.79  | 20.6   | 35.1  | 6.01  | 20.7   |
| 30              | 50                     | 38.5   | 5.47                         | 20.5  | 38.3   | 5.64  | 20.6  | 38.0   | 5.83  | 20.8  | 37.8   | 5.93  | 20.9  | 37.6   | 6.03  | 20.9  | 37.5   | 6.65  | 21.4  |        |
|                 | 60                     | 38.8   | 5.50                         | 22.0  | 38.5   | 5.66  | 22.2  | 38.2   | 5.85  | 22.3  | 38.0   | 5.95  | 22.3  | 37.9   | 6.06  | 22.4  | 37.7   | 6.87  | 22.8  |        |
|                 | 120                    | 39.7   | 5.57                         | 25.9  | 39.4   | 5.74  | 26.0  | 39.0   | 5.93  | 26.0  | 38.9   | 6.03  | 26.1  | 38.3   | 6.00  | 26.1  | 37.7   | 7.58  | 26.4  |        |
| 35              | 50                     | 41.7   | 5.77                         | 24.7  | 41.4   | 5.95  | 24.8  | 41.0   | 6.11  | 25.0  | 40.6   | 6.29  | 25.0  | 40.5   | 6.38  | 25.1  | 40.2   | 7.19  | 26.2  |        |
|                 | 60                     | 42.0   | 5.79                         | 26.3  | 41.7   | 5.97  | 26.5  | 41.0   | 6.04  | 26.7  | 40.6   | 6.29  | 26.7  | 40.5   | 6.38  | 26.8  | 40.2   | 7.49  | 26.6  |        |
|                 | 120                    | 42.9   | 5.87                         | 30.6  | 42.6   | 6.05  | 30.6  | 41.0   | 6.21  | 30.8  | 40.6   | 6.39  | 30.9  | 40.5   | 6.48  | 31.0  | 40.2   | 8.29  | 27.1  |        |
| 40              | 50                     | 44.9   | 6.07                         | 28.9  | 43.6   | 6.25  | 29.2  | 41.0   | 6.41  | 29.4  | 40.6   | 6.59  | 29.4  | 40.5   | 6.68  | 29.5  | 40.2   | 8.69  | 27.6  |        |
|                 | 60                     | 45.2   | 6.09                         | 30.7  | 43.6   | 6.26  | 31.0  | 41.0   | 6.42  | 31.0  | 40.6   | 6.60  | 31.0  | 40.5   | 6.69  | 31.0  | 40.2   | 8.99  | 28.1  |        |
|                 | 120                    | 46.2   | 6.17                         | 35.2  | 43.6   | 6.34  | 35.5  | 41.0   | 6.59  | 35.8  | 40.6   | 6.73  | 35.9  | 40.5   | 6.82  | 36.0  | 40.2   | 9.69  | 28.6  |        |
| 45              | 50                     | 46.2   | 6.02                         | 33.5  | 43.6   | 6.28  | 34.2  | 41.0   | 6.46  | 34.9  | 40.6   | 6.60  | 34.9  | 40.5   | 6.69  | 35.0  | 40.2   | 9.39  | 28.1  |        |
|                 | 60                     | 46.2   | 5.96                         | 35.4  | 43.6   | 6.29  | 36.0  | 41.0   | 6.50  | 36.6  | 40.6   | 6.64  | 36.6  | 40.5   | 6.73  | 36.7  | 40.2   | 9.69  | 28.6  |        |
|                 | 120                    | 46.2   | 5.79                         | 39.0  | 43.6   | 6.25  | 39.3  | 41.0   | 6.45  | 39.7  | 40.6   | 6.58  | 39.9  | 40.5   | 6.67  | 40.0  | 40.2   | 10.39 | 29.1  |        |
| 120             | 10                     | 50   | 15.6                         | 3.48  | 6.52   | 16.1  | 3.25  | 6.32   | 16.5  | 3.07  | 6.16   | 16.6  | 2.99  | 6.09   | 16.8  | 2.93  | 6.04   | 17.0  | 2.85  | 5.95   |
|                 |                        | 60   | 18.9                         | 3.62  | 6.35   | 19.2  | 3.49  | 6.24   | 19.4  | 3.41  | 6.17   | 19.5  | 3.38  | 6.14   | 19.6  | 3.37  | 6.12   | 19.7  | 3.37  | 6.10   |
|                 |                        | 120  | 26.9                         | 4.83  | 7.37   | 26.9  | 4.91  | 7.38   | 26.8  | 5.02  | 7.40   | 26.7  | 5.08  | 7.41   | 26.7  | 5.16  | 7.43   | 26.5  | 5.34  | 7.47   |
|                 | 15                     | 50   | 26.8                         | 4.78  | 8.68   | 26.8  | 4.85  | 8.71   | 26.7  | 4.96  | 8.76   | 26.7  | 5.03  | 8.79   | 26.6  | 5.10  | 8.83   | 26.4  | 5.27  | 8.93   |
|                 |                        | 60   | 27.6                         | 4.81  | 9.57   | 27.5  | 4.90  | 9.60   | 27.4  | 5.02  | 9.65   | 27.4  | 5.09  | 9.68   | 27.3  | 5.17  | 9.72   | 27.1  | 5.35  | 9.81   |
|                 |                        | 120  | 30.1                         | 4.98  | 12.0   | 30.0  | 5.10  | 12.0   | 29.8  | 5.25  | 12.1   | 29.7  | 5.34  | 12.1   | 29.6  | 5.43  | 12.1   | 29.4  | 5.63  | 12.2   |
|                 | 20                     | 50   | 31.9                         | 5.12  | 12.3   | 31.7  | 5.26  | 12.4   | 31.5  | 5.43  | 12.5   | 31.4  | 5.52  | 12.6   | 31.3  | 5.61  | 12.6   | 31.0  | 5.83  | 12.8   |
|                 |                        | 60   | 32.1                         | 5.14  | 13.6   | 32.0  | 5.28  | 13.6   | 31.7  | 5.45  | 13.7   | 31.6  | 5.54  | 13.8   | 31.5  | 5.64  | 13.8   | 31.2  | 5.85  | 13.9   |
|                 |                        | 120  | 32.9                         | 5.20  | 16.7   | 32.7  | 5.35  | 16.7   | 32.4  | 5.52  | 16.8   | 32.1  | 5.61  | 16.8   | 32.0  | 5.70  | 16.8   | 31.7  | 5.91  | 16.2   |
|                 | 25                     | 50   | 35.1                         | 5.40  | 16.5   | 34.8  | 5.57  | 16.6   | 34.5  | 5.75  | 16.7   | 34.4  | 5.85  | 16.8   | 34.2  | 5.95  | 16.9   | 32.9  | 5.77  | 17.2   |
|                 |                        | 60   | 35.3                         | 5.42  | 17.9   | 35.0  | 5.59  | 18.0   | 34.8  | 5.77  | 18.1   | 34.6  | 5.87  | 18.1   | 34.5  | 5.98  | 18.2   | 32.9  | 5.70  | 18.5   |
|                 |                        | 120  | 36.1                         | 5.50  | 21.3   | 35.8  | 5.67  | 21.4   | 35.5  | 5.85  | 21.5   | 35.4  | 5.95  | 21.5   | 35.2  | 6.06  | 21.5   | 32.9  | 5.49  | 21.7   |
| 30              | 50                     | 38.2   | 5.71                         | 20.7  | 37.9   | 5.88  | 20.8  | 37.6   | 6.08  | 21.0  | 37.6   | 6.17  | 21.2  | 37.4   | 6.27  | 21.5  | 37.2   | 6.47  | 22.0  |        |
|                 | 60                     | 38.4   | 5.73                         | 22.2  | 38.1   | 5.91  | 22.3  | 37.8   | 6.10  | 22.4  | 37.6   | 6.20  | 22.6  | 37.4   | 6.29  | 22.9  | 37.2   | 6.49  | 22.3  |        |
|                 | 120                    | 39.3   | 5.81                         | 26.0  | 38.9   | 5.99  | 26.1  | 37.8   | 6.18  | 26.2  | 37.6   | 6.27  | 26.3  | 37.4   | 6.36  | 26.4  | 37.2   | 7.19  | 26.6  |        |
| 35              | 50                     | 41.3   | 6.01                         | 24.9  | 40.2   | 6.18  | 25.2  | 37.8   | 6.40  | 25.7  | 37.6   | 6.59  | 26.0  | 37.4   | 6.68  | 26.3  | 37.2   | 7.39  | 26.8  |        |
|                 | 60                     | 41.6   | 6.04                         | 26.5  | 40.2   | 6.18  | 26.8  | 37.8   | 6.40  | 27.2  | 37.6   | 6.59  | 27.5  | 37.4   | 6.68  | 27.7  | 37.2   | 7.69  | 27.3  |        |
|                 | 120                    | 42.4   | 6.12                         | 30.7  | 40.2   | 6.26  | 30.9  | 37.8   | 6.40  | 31.1  | 37.6   | 6.49  | 31.2  | 37.4   | 6.58  | 31.3  | 37.2   | 8.39  | 27.8  |        |
| 40              | 50                     | 42.7   | 6.31                         | 29.4  | 40.2   | 6.48  | 30.1  | 37.8   | 6.70  | 30.7  | 37.6   | 6.89  | 30.9  | 37.4   | 6.98  | 31.2  | 37.2   | 8.59  | 28.3  |        |
|                 | 60                     | 42.7   | 6.27                         | 31.2  | 40.2   | 6.48  | 31.7  | 37.8   | 6.70  | 32.2  | 37.6   | 6.89  | 32.4  | 37.4   | 6.98  | 32.7  | 37.2   | 8.89  | 28.8  |        |
|                 | 120                    | 42.7   | 6.17                         | 35.2  | 40.2   | 6.48  | 35.7  | 37.8   | 6.70  | 36.2  | 37.6   | 6.89  | 36.4  | 37.4   | 6.98  | 36.7  | 37.2   | 9.59  | 29.3  |        |
| 45              | 50                     | 42.7   | 6.27                         | 33.5  | 40.2   | 6.48  | 34.2  | 37.8   | 6.70  | 34.7  | 37.6   | 6.89  | 34.9  | 37.4   | 6.98  | 35.2  | 37.2   | 9.29  | 28.8  |        |
|                 | 60                     | 42.7   | 6.23                         | 35.4  | 40.2   | 6.48  | 35.9  | 37.8   | 6.70  | 36.4  | 37.6   | 6.89  | 36.6  | 37.4   | 6.98  | 36.9  | 37.2   | 9.59  | 29.3  |        |
|                 | 120                    | 42.7   | 6.17                         | 39.0  | 40.2   | 6.48  | 39.5  | 37.8   | 6.70  | 40.0  | 37.6   | 6.89  | 40.2  | 37.4   | 6.98  | 40.5  | 37.2   | 10.29 | 29.8  |        |
| 110             | 10                     | 50   | 16.3                         | 3.16  | 6.24   | 16.6  | 3.01  | 6.11   | 16.8  | 2.90  | 6.00   | 16.9  | 2.87  | 5.96   | 17.0  | 2.84  | 5.93   | 17.2  | 2.81  | 5.89   |
|                 |                        | 60   | 19.3                         | 3.45  | 6.21   | 19.5  | 3.39  | 6.15   | 19.6  | 3.36  | 6.11   | 19.7  | 3.36  | 6.10   | 19.7  | 3.37  | 6.10   | 19.7  | 3.43  | 6.11   |
|                 |                        | 120  | 26.8                         | 4.95  | 7.39   | 26.8  | 5.07  | 7.41   | 26.6  | 5.21  | 7.44   | 26.5  | 5.29  | 7.46   | 26.5  | 5.38  | 7.48   | 26.2  | 5.58  | 7.53   |
|                 | 15                     | 50   | 26.8                         | 4.90  | 8.73   | 26.7  | 5.01  | 8.78   | 26.6  | 5.15  | 8.86   | 26.5  | 5.23  | 8.91   | 26.4  | 5.32  | 8.96   | 26.2  | 5.51  | 9.07   |
|                 |                        | 60   | 27.5                         | 4.95  | 9.62   | 27.4  | 5.07  | 9.67   | 27.2  | 5.22  | 9.74   | 27.1  | 5.30  | 9.78   | 27.0  | 5.39  | 9.83   | 26.8  | 5.60  | 9.93   |
|                 |                        | 120  | 29.9                         | 5.17  | 12.0   | 29.8  | 5.32  | 12.1   | 29.6  | 5.49  | 12.1   | 29.4  | 5.58  | 12.2   | 29.3  | 5.68  | 12.2   | 29.0  | 5.89  | 12.2   |
|                 | 20                     | 50   | 31.6                         | 5.33  | 12.5   | 31.4  | 5.49  | 12.6   | 31.2  | 5.67  | 12.7   | 31.1  | 5.77  | 12.7   | 30.9  | 5.88  | 12.8   | 30.2  | 5.89  | 13.0   |
|                 |                        | 60   | 31.9                         | 5.35  | 13.7   | 31.6  | 5.52  | 13.8   | 31.4  | 5.70  | 13.9   | 31.3  | 5.80  | 13.9   | 31.1  | 5.90  | 14.0   | 30.2  | 5.83  | 14.2   |
|                 |                        | 120  | 32.6                         | 5.43  | 16.8   | 32.3  | 5.59  | 16.8   | 32.1  | 5.78  | 16.9   | 31.9  | 5.88  | 16.9   | 31.8  | 5.98  | 16.9   | 30.2  | 5.61  | 17.1   |
|                 | 25                     | 50   | 34.7                         | 5.65  | 16.7   | 34.4  | 5.82  | 16.8   | 34.1  | 6.02  | 16.9   | 33.5  | 6.11  | 17.1   | 32.4  | 6.20  | 17.3   | 30.2  | 5.05  | 17.8   |
|                 |                        | 60   | 34.9                         | 5.67  | 18.0   | 34.7  | 5.85  | 18.1   | 34.4  | 6.04  | 18.2   | 33.5  | 6.14  | 18.3   | 32.4  | 6.23  | 18.4   | 30.2  | 4.99  | 19.0   |
|                 |                        | 120  | 35.7                         | 5.75  |        |       |       |        |       |       |        |       |       |        |       |       |        |       |       |        |

# 4 Capacity tables

## 4 - 3 Heating capacity tables

| RWEYQ10PY1      |                        |                            | TC: Total Capacity: kW ; PI: Power Input: kW (compressor + outdoor fan motor) ; OWT: Outlet Water Temperatur: °C |      |      |      |      |      |      |      |      |      |      |      |      |      |      |      |      |      |      |      |      |      |      |      |      |      |      |       |      |      |       |      |      |      |      |       |      |      |      |      |      |      |      |      |      |      |      |      |      |      |      |      |      |      |      |      |      |      |      |      |      |      |      |      |      |      |      |      |      |      |      |      |      |      |      |      |      |      |      |      |      |      |      |      |      |      |      |      |      |
|-----------------|------------------------|----------------------------|--|------|------|------|------|------|------|------|------|------|------|------|------|------|------|------|------|------|------|------|------|------|------|------|------|------|------|-------|------|------|-------|------|------|------|------|-------|------|------|------|------|------|------|------|------|------|------|------|------|------|------|------|------|------|------|------|------|------|------|------|------|------|------|------|------|------|------|------|------|------|------|------|------|------|------|------|------|------|------|------|------|------|------|------|------|------|------|------|------|------|
| Combination (%) | Inlet Water Temp. (°C) | Water Volume (note2) L/min | Indoor air temperature: °CWB   |      |      |      |      |      |      |      |      |      |      |      |      |      |      |      |      |      |      |      |      |      |      |      |      |      |      |       |      |      |       |      |      |      |      |       |      |      |      |      |      |      |      |      |      |      |      |      |      |      |      |      |      |      |      |      |      |      |      |      |      |      |      |      |      |      |      |      |      |      |      |      |      |      |      |      |      |      |      |      |      |      |      |      |      |      |      |      |      |
|                 |                        |                            | 16.0   |      |      | 18.0 |      |      | 20.0 |      |      | 21.0 |      |      | 22.0 |      |      | 24.0 |      |      |      |      |      |      |      |      |      |      |      |       |      |      |       |      |      |      |      |       |      |      |      |      |      |      |      |      |      |      |      |      |      |      |      |      |      |      |      |      |      |      |      |      |      |      |      |      |      |      |      |      |      |      |      |      |      |      |      |      |      |      |      |      |      |      |      |      |      |      |      |      |      |
|                 |                        |                            | TC   | PI   | OWT  | TC   | PI   | OWT  | TC   | PI   | OWT  | TC   | PI   | OWT  | TC   | PI   | OWT  | TC   | PI   | OWT  |      |      |      |      |      |      |      |      |      |       |      |      |       |      |      |      |      |       |      |      |      |      |      |      |      |      |      |      |      |      |      |      |      |      |      |      |      |      |      |      |      |      |      |      |      |      |      |      |      |      |      |      |      |      |      |      |      |      |      |      |      |      |      |      |      |      |      |      |      |      |      |
| 100             | 10                     | 50                         | 16.7   | 2.94 | 6.04 | 16.9 | 2.87 | 5.96 | 17.1 | 2.82 | 5.91 | 17.1 | 2.81 | 5.89 | 17.2 | 2.81 | 5.88 | 17.2 | 2.84 | 5.88 | 19.6 | 3.37 | 6.12 | 19.7 | 3.36 | 6.10 | 19.7 | 3.39 | 6.10 | 19.7  | 3.42 | 6.11 | 19.7  | 3.45 | 6.12 | 19.6 | 3.54 | 6.16  | 25.5 | 4.85 | 6.92 | 25.4 | 4.97 | 6.95 | 25.2 | 5.12 | 7.00 | 25.2 | 5.21 | 7.02 | 25.1 | 5.30 | 7.05 | 24.8 | 5.50 | 7.11 | 26.7 | 5.15 | 7.43 | 26.5 | 5.29 | 7.46 | 26.4 | 5.46 | 7.50 | 26.3 | 5.55 | 7.53 | 26.2 | 5.65 | 7.55 | 25.9 | 5.86 | 7.60 |      |      |      |      |      |      |      |      |      |      |      |      |      |      |      |      |      |
|                 |                        | 60                         | 26.6   | 5.09 | 8.83 | 26.5 | 5.23 | 8.91 | 26.3 | 5.39 | 9.00 | 26.2 | 5.49 | 9.06 | 26.1 | 5.58 | 9.12 | 25.9 | 5.79 | 9.25 | 27.3 | 5.16 | 9.71 | 27.1 | 5.30 | 9.78 | 27.0 | 5.47 | 9.87 | 26.8  | 5.57 | 9.92 | 26.7  | 5.67 | 9.97 | 26.5 | 5.88 | 10.08 | 29.0 | 5.35 | 11.5 | 28.8 | 5.51 | 11.5 | 28.6 | 5.69 | 11.6 | 28.5 | 5.79 | 11.6 | 28.4 | 5.89 | 11.6 | 27.5 | 5.78 | 11.8 | 29.7 | 5.42 | 12.1 | 29.4 | 5.58 | 12.2 | 29.2 | 5.77 | 12.2 | 29.1 | 5.87 | 12.2 | 28.9 | 5.97 | 12.3 | 27.5 | 5.59 | 12.4 |      |      |      |      |      |      |      |      |      |      |      |      |      |      |      |      |      |
|                 |                        | 96                         | 29.7   | 5.42 | 12.1 | 29.4 | 5.58 | 12.2 | 29.2 | 5.77 | 12.2 | 29.1 | 5.87 | 12.2 | 28.9 | 5.97 | 12.3 | 27.5 | 5.59 | 12.4 | 31.3 | 5.60 | 12.6 | 31.1 | 5.77 | 12.7 | 30.8 | 5.96 | 12.9 | 30.5  | 5.98 | 13.0 | 29.5  | 5.68 | 13.2 | 27.5 | 5.09 | 13.6  | 31.5 | 5.62 | 13.8 | 31.3 | 5.80 | 13.9 | 31.0 | 5.99 | 14.0 | 30.5 | 5.92 | 14.1 | 29.5 | 5.62 | 14.3 | 27.5 | 5.04 | 14.6 | 32.0 | 5.68 | 16.1 | 31.8 | 5.86 | 16.1 | 31.5 | 6.05 | 16.2 | 30.5 | 5.75 | 16.3 | 29.5 | 5.46 | 16.4 | 27.5 | 4.90 | 16.6 | 32.2 | 5.70 | 16.8 | 31.9 | 5.88 | 16.9 | 31.5 | 5.99 | 17.0 | 30.5 | 5.70 | 17.0 | 29.5 | 5.41 | 17.1 | 27.5 | 4.86 |
|                 | 15                     | 50                         | 34.3   | 5.94 | 16.9 | 33.5 | 5.93 | 17.1 | 31.5 | 5.38 | 17.5 | 30.5 | 5.12 | 17.7 | 29.5 | 4.87 | 17.9 | 27.5 | 4.38 | 18.4 | 34.5 | 5.96 | 18.2 | 33.5 | 5.86 | 18.4 | 31.5 | 5.32 | 18.7 | 30.5  | 5.07 | 18.9 | 29.5  | 4.81 | 19.1 | 27.5 | 4.33 | 19.5  | 35.0 | 6.02 | 20.7 | 33.5 | 5.70 | 20.8 | 31.5 | 5.18 | 21.1 | 30.5 | 4.93 | 21.2 | 29.5 | 4.68 | 21.3 | 27.5 | 4.22 | 21.5 | 35.2 | 6.04 | 21.5 | 33.5 | 5.64 | 21.7 | 31.5 | 5.13 | 21.9 | 30.5 | 4.88 | 21.9 | 29.5 | 4.64 | 22.0 | 27.5 | 4.18 | 22.2 |      |      |      |      |      |      |      |      |      |      |      |      |      |      |      |      |      |
|                 |                        | 60                         | 35.5   | 5.61 | 21.4 | 33.5 | 5.13 | 21.9 | 31.5 | 4.67 | 22.3 | 30.5 | 4.45 | 22.5 | 29.5 | 4.24 | 22.8 | 27.5 | 3.83 | 23.2 | 35.5 | 5.55 | 22.8 | 33.5 | 5.08 | 23.2 | 31.5 | 4.62 | 23.6 | 30.5  | 4.41 | 23.8 | 29.5  | 4.19 | 24.0 | 27.5 | 3.79 | 24.3  | 35.5 | 5.40 | 25.5 | 33.5 | 4.94 | 25.7 | 31.5 | 4.50 | 26.0 | 30.5 | 4.29 | 26.1 | 29.5 | 4.08 | 26.2 | 27.5 | 3.69 | 26.5 | 35.5 | 5.35 | 26.4 | 33.5 | 4.89 | 26.6 | 31.5 | 4.46 | 26.8 | 30.5 | 4.25 | 26.9 | 29.5 | 4.05 | 27.0 | 27.5 | 3.66 | 27.2 |      |      |      |      |      |      |      |      |      |      |      |      |      |      |      |      |      |
|                 |                        | 96                         | 35.5   | 4.92 | 26.2 | 33.5 | 4.51 | 26.7 | 31.5 | 4.11 | 27.2 | 30.5 | 3.93 | 27.4 | 29.5 | 3.74 | 27.6 | 27.5 | 3.39 | 28.1 | 35.5 | 4.86 | 27.7 | 33.5 | 4.46 | 28.1 | 31.5 | 4.07 | 28.4 | 30.5  | 3.89 | 28.6 | 29.5  | 3.70 | 28.8 | 27.5 | 3.36 | 29.2  | 35.5 | 4.73 | 30.4 | 33.5 | 4.34 | 30.6 | 31.5 | 3.97 | 30.9 | 30.5 | 3.79 | 31.0 | 29.5 | 3.61 | 31.1 | 27.5 | 3.27 | 31.4 | 35.5 | 4.69 | 31.3 | 33.5 | 4.30 | 31.5 | 31.5 | 3.93 | 31.7 | 30.5 | 3.75 | 31.8 | 29.5 | 3.58 | 31.9 | 27.5 | 3.25 | 32.1 |      |      |      |      |      |      |      |      |      |      |      |      |      |      |      |      |      |
|                 | 20                     | 50                         | 35.5   | 4.75 | 31.2 | 33.5 | 4.36 | 31.6 | 31.5 | 3.99 | 32.1 | 30.5 | 3.82 | 32.4 | 29.5 | 3.64 | 32.6 | 27.5 | 3.30 | 33.1 | 35.5 | 4.70 | 32.6 | 33.5 | 4.32 | 33.0 | 31.5 | 3.95 | 33.4 | 30.5  | 3.78 | 33.6 | 29.5  | 3.61 | 33.8 | 27.5 | 3.27 | 34.2  | 35.5 | 4.58 | 35.4 | 33.5 | 4.21 | 35.6 | 31.5 | 3.86 | 35.9 | 30.5 | 3.69 | 36.0 | 29.5 | 3.52 | 36.1 | 27.5 | 3.19 | 36.4 | 35.5 | 4.54 | 36.3 | 33.5 | 4.17 | 36.5 | 31.5 | 3.82 | 36.7 | 30.5 | 3.66 | 36.8 | 29.5 | 3.49 | 36.9 | 27.5 | 3.17 | 37.1 |      |      |      |      |      |      |      |      |      |      |      |      |      |      |      |      |      |
|                 |                        | 60                         | 35.5   | 4.61 | 36.1 | 33.5 | 4.24 | 36.6 | 31.5 | 3.89 | 37.1 | 30.5 | 3.72 | 37.3 | 29.5 | 3.55 | 37.6 | 27.5 | 3.22 | 38.1 | 35.5 | 4.56 | 37.6 | 33.5 | 4.20 | 38.0 | 31.5 | 3.86 | 38.4 | 30.5  | 3.68 | 38.6 | 29.5  | 3.52 | 38.8 | 27.5 | 3.19 | 39.2  | 35.5 | 4.44 | 40.4 | 33.5 | 4.09 | 40.6 | 31.5 | 3.76 | 40.9 | 30.5 | 3.59 | 41.0 | 29.5 | 3.43 | 41.1 | 27.5 | 3.11 | 41.4 | 35.5 | 4.41 | 41.3 | 33.5 | 4.06 | 41.5 | 31.5 | 3.73 | 41.7 | 30.5 | 3.56 | 41.8 | 29.5 | 3.40 | 41.9 | 27.5 | 3.09 | 42.1 |      |      |      |      |      |      |      |      |      |      |      |      |      |      |      |      |      |
|                 |                        | 96                         | 35.5   | 4.61 | 36.1 | 33.5 | 4.24 | 36.6 | 31.5 | 3.89 | 37.1 | 30.5 | 3.72 | 37.3 | 29.5 | 3.55 | 37.6 | 27.5 | 3.22 | 38.1 | 35.5 | 4.56 | 37.6 | 33.5 | 4.20 | 38.0 | 31.5 | 3.86 | 38.4 | 30.5  | 3.68 | 38.6 | 29.5  | 3.52 | 38.8 | 27.5 | 3.19 | 39.2  | 35.5 | 4.44 | 40.4 | 33.5 | 4.09 | 40.6 | 31.5 | 3.76 | 40.9 | 30.5 | 3.59 | 41.0 | 29.5 | 3.43 | 41.1 | 27.5 | 3.11 | 41.4 | 35.5 | 4.41 | 41.3 | 33.5 | 4.06 | 41.5 | 31.5 | 3.73 | 41.7 | 30.5 | 3.56 | 41.8 | 29.5 | 3.40 | 41.9 | 27.5 | 3.09 | 42.1 |      |      |      |      |      |      |      |      |      |      |      |      |      |      |      |      |      |
|                 | 90                     | 10                         | 50   | 17.1 | 2.83 | 5.92 | 17.2 | 2.81 | 5.89 | 17.2 | 2.82 | 5.88 | 17.2 | 2.84 | 5.88 | 17.2 | 2.86 | 5.89 | 17.2 | 2.93 | 5.92 | 19.7 | 3.38 | 6.10 | 19.7 | 3.43 | 6.11 | 19.7 | 3.50 | 6.14  | 19.6 | 3.54 | 6.16  | 19.6 | 3.59 | 6.18 | 19.5 | 3.71  | 6.24 | 25.3 | 5.08 | 6.98 | 25.1 | 5.23 | 7.03 | 24.9 | 5.40 | 7.08 | 24.8 | 5.50 | 7.11 | 24.7 | 5.59 | 7.14 | 24.5 | 5.81 | 7.21 | 26.4 | 5.42 | 7.49 | 26.2 | 5.58 | 7.53 | 26.0 | 5.77 | 7.58 | 25.9 | 5.86 | 7.60 | 25.8 | 5.97 | 7.63 | 24.7 | 5.72 | 7.73 |      |      |      |      |      |      |      |      |      |      |      |      |      |      |      |      |
|                 |                        |                            | 60   | 26.4 | 5.35 | 8.98 | 26.2 | 5.51 | 9.08 | 26.0 | 5.70 | 9.19 | 25.9 | 5.79 | 9.25 | 25.7 | 5.90 | 9.3  | 24.7 | 5.68 | 9.5  | 27.0 | 5.43 | 9.85 | 26.8 | 5.60 | 9.93 | 26.6 | 5.78 | 10.03 | 26.5 | 5.88 | 10.08 | 26.3 | 5.99 | 10.1 | 24.7 | 5.45  | 10.4 | 28.7 | 5.64 | 11.6 | 28.5 | 5.82 | 11.6 | 28.2 | 6.01 | 11.7 | 27.4 | 5.78 | 11.8 | 26.5 | 5.49 | 11.9 | 24.7 | 4.92 | 12.0 | 29.3 | 5.72 | 12.2 | 29.0 | 5.90 | 12.2 | 28.4 | 5.87 | 12.3 | 27.4 | 5.58 | 12.4 | 26.5 | 5.30 | 12.5 | 24.7 | 4.76 | 12.6 |      |      |      |      |      |      |      |      |      |      |      |      |      |      |      |      |
|                 |                        |                            | 96   | 30.9 | 5.92 | 12.8 | 30.2 | 5.89 | 13.0 | 28.4 | 5.35 | 13.4 | 27.4 | 5.09 | 13.6 | 26.5 | 4.84 | 13.8 | 24.7 | 4.35 | 14.2 | 31.1 | 5.94 | 14.0 | 30.2 | 5.82 | 14.2 | 28.4 | 5.29 | 14.5  | 27.4 | 5.03 | 14.6  | 26.5 | 4.78 | 14.8 | 24.7 | 4.31  | 15.1 | 31.6 | 6.00 | 16.2 | 30.2 | 5.66 | 16.3 | 28.4 | 5.14 | 16.5 | 27.4 | 4.90 | 16.6 | 26.5 | 4.65 | 16.7 | 24.7 | 4.19 | 16.9 | 31.7 | 6.02 | 16.9 | 30.2 | 5.61 | 17.1 | 28.4 | 5.10 | 17.2 | 27.4 | 4.85 | 17.3 | 26.5 | 4.61 | 17.4 | 24.7 | 4.16 | 17.5 |      |      |      |      |      |      |      |      |      |      |      |      |      |      |      |      |
| 15              |                        | 50                         | 32.0   | 5.51 | 17.4 | 30.2 | 5.04 | 17.8 | 28.4 | 4.59 | 18.2 | 27.4 | 4.38 | 18.4 | 26.5 | 4.17 | 18.6 | 24.7 | 3.76 | 19.0 | 32.0 | 5.45 | 18.7 | 30.2 | 4.99 | 19.0 | 28.4 | 4.54 | 19.3 | 27.4  | 4.33 | 19.5 | 26.5  | 4.12 | 19.6 | 24.7 | 3.72 | 20.0  | 32.0 | 5.30 | 21.0 | 30.2 | 4.85 | 21.2 | 28.4 | 4.42 | 21.4 | 27.4 | 4.22 | 21.5 | 26.5 | 4.01 | 21.6 | 24.7 | 3.63 | 21.9 | 32.0 | 5.25 | 21.8 | 30.2 | 4.81 | 22.0 | 28.4 | 4.38 | 22.1 | 27.4 | 4.18 | 22.2 | 26.5 | 3.98 | 22.3 | 24.7 | 3.60 | 22.5 |      |      |      |      |      |      |      |      |      |      |      |      |      |      |      |      |      |
|                 |                        | 60                         | 32.0   | 4.78 | 22.2 | 30.2 | 4.39 | 22.6 | 28.4 | 4.01 | 23.0 | 27.4 | 3.82 | 23.2 | 26.5 | 3.65 | 23.4 | 24.7 | 3.30 | 23.9 | 32.0 | 4.73 | 23.5 | 30.2 | 4.34 | 23.8 | 28.4 | 3.97 | 24.2 | 27.4  | 3.78 | 24.4 | 26.5  | 3.61 | 24.5 | 24.7 | 3.27 | 24.9  | 32.0 | 4.60 | 25.9 | 30.2 | 4.22 | 26.1 | 28.4 | 3.86 | 26.3 | 27.4 | 3.69 | 26.5 | 26.5 | 3.52 | 26.6 | 24.7 | 3.27 | 26.8 | 32.0 | 4.56 | 26.7 | 30.2 | 4.19 | 26.9 | 28.4 | 3.83 | 27.1 | 27.4 | 3.66 | 27.2 | 26.5 | 3.49 | 27.2 | 24.7 | 3.17 | 27.4 |      |      |      |      |      |      |      |      |      |      |      |      |      |      |      |      |      |
|                 |                        | 96                         | 32.0   | 4.21 | 27.0 | 30.2 | 3.87 | 27.5 | 28.4 | 3.54 | 27.9 | 27.4 | 3.39 | 28.1 | 26.5 | 3.23 | 28.3 | 24.7 | 2.94 | 28.8 | 32.0 | 4.16 | 28.4 | 30.2 | 3.83 | 28.7 | 28.4 | 3.51 | 29.1 | 27.4  | 3.35 | 29.2 | 26.5  | 3.20 | 29.4 | 24.7 | 2.91 | 29.8  | 32.0 | 4.06 | 30.8 | 30.2 | 3.73 | 31.1 | 28.4 | 3.42 | 31.3 | 27.4 | 3.27 | 31.4 | 26.5 | 3.12 | 31.5 | 24.7 | 2.84 | 31.7 | 32.0 | 4.02 | 31.7 | 30.2 | 3.70 | 31.8 | 28.4 | 3.39 | 32.0 | 27.4 | 3.24 | 32.1 | 26.5 | 3.10 | 32.2 | 24.7 | 2.82 | 32.4 |      |      |      |      |      |      |      |      |      |      |      |      |      |      |      |      |      |
| 20              |                        | 50                         | 32.0   | 4.08 | 32.0 | 30.2 | 3.76 | 32.4 | 28.4 | 3.45 | 32.9 | 27.4 | 3.30 | 33.1 | 26.5 | 3.15 | 33.3 | 24.7 | 2.87 | 33.7 | 32.0 | 4.04 | 33.3 | 30.2 | 3.73 | 33.7 | 28.4 | 3.42 | 34.0 | 27.4  | 3.27 | 34.2 | 26.5  | 3.12 | 34.4 | 24.7 | 2.84 | 34.8  | 32.0 | 3.94 | 35.8 | 30.2 | 3.63 | 36.0 | 28.4 | 3.33 | 36.3 | 27.4 | 3.19 | 36.4 | 26.5 | 3.05 | 36.5 | 24.7 | 2.77 | 36.7 | 32.0 | 3.91 | 36.6 | 30.2 | 3.60 | 36.8 | 28.4 | 3.31 | 37.0 | 27.4 | 3.16 | 37.1 | 26.5 | 3.02 | 37.2 | 24.7 | 2.75 | 37.4 |      |      |      |      |      |      |      |      |      |      |      |      |      |      |      |      |      |
|                 |                        | 60                         | 32.0   | 3.98 | 37.0 | 30.2 | 3.67 | 37.4 | 28.4 | 3.37 | 37.8 | 27.4 | 3.22 | 38.1 | 26.5 | 3.07 | 38.3 | 24.7 | 2.80 | 38.7 | 32.0 | 3.94 | 38.3 | 30.2 | 3.63 | 38.7 | 28.4 | 3.33 | 39.0 | 27.4  | 3.19 | 39.2 | 26.5  | 3.04 | 39.4 | 24.7 | 2.77 | 39.8  | 32.0 | 3.84 | 40.8 | 30.2 | 3.54 | 41.0 | 28.4 | 3.25 | 41.3 | 27.4 | 3.11 | 41.4 | 26.5 | 2.97 | 41.5 | 24.7 | 2.70 | 41.7 | 32.0 | 3.89 | 41.6 | 30.2 | 3.51 | 41.8 | 28.4 | 3.22 | 42.0 | 27.4 | 3.08 | 42.1 | 26.5 | 2.95 | 42.2 | 24.7 | 2.68 | 42.4 |      |      |      |      |      |      |      |      |      |      |      |      |      |      |      |      |      |
|                 |                        | 96                         | 32.0   | 3.49 | 41.6 | 30.2 | 3.51 | 41.8 | 28.4 | 3.22 | 42.0 | 27.4 | 3.08 | 42.1 | 26.5 | 2.95 | 42.2 | 24.7 | 2.68 | 42.4 | 32.0 | 3.49 | 41.6 | 30.2 | 3.51 | 41.8 | 28.4 | 3.22 | 42.0 | 27.4  | 3.08 |      |       |      |      |      |      |       |      |      |      |      |      |      |      |      |      |      |      |      |      |      |      |      |      |      |      |      |      |      |      |      |      |      |      |      |      |      |      |      |      |      |      |      |      |      |      |      |      |      |      |      |      |      |      |      |      |      |      |      |      |

# 4 Capacity tables

## 4 - 3 Heating capacity tables

| RWEYQ10PY1      |                        |                            | TC: Total Capacity: kW ; PI: Power Input: kW (compressor + outdoor fan motor) ; OWT: Outlet Water Temperatur: °C |      |      |      |      |      |      |      |       |      |      |      |      |      |      |      |      |      |
|-----------------|------------------------|----------------------------|--|------|------|------|------|------|------|------|-------|------|------|------|------|------|------|------|------|------|
| Combination (%) | Inlet Water Temp. (°C) | Water Volume (note2) L/min | Indoor air temperature: °CWB   |      |      |      |      |      |      |      |       |      |      |      |      |      |      |      |      |      |
|                 |                        |                            | 16.0   |      |      | 18.0 |      |      | 20.0 |      |       | 21.0 |      |      | 22.0 |      |      | 24.0 |      |      |
|                 |                        |                            | TC   | PI   | OWT  | TC   | PI   | OWT  | TC   | PI   | OWT   | TC   | PI   | OWT  | TC   | PI   | OWT  | TC   | PI   | OWT  |
| 70              | 10                     | 50                         | 17.2   | 2.92 | 5.91 | 17.1 | 2.99 | 5.95 | 17.0 | 3.07 | 6.00  | 17.0 | 3.12 | 6.03 | 16.9 | 3.17 | 6.06 | 16.8 | 3.29 | 6.13 |
|                 |                        | 60                         | 19.5   | 3.70 | 6.23 | 19.4 | 3.80 | 6.28 | 19.2 | 3.93 | 6.35  | 19.1 | 4.00 | 6.38 | 19.1 | 4.07 | 6.42 | 18.9 | 4.22 | 6.50 |
|                 |                        | 96                         | 24.5   | 5.78 | 7.20 | 23.5 | 5.47 | 7.31 | 22.1 | 4.98 | 7.45  | 21.3 | 4.74 | 7.52 | 20.6 | 4.50 | 7.59 | 19.2 | 4.05 | 7.74 |
|                 | 15                     | 50                         | 24.9   | 5.74 | 9.51 | 23.5 | 5.25 | 9.78 | 22.1 | 4.77 | 10.05 | 21.3 | 4.55 | 10.2 | 20.6 | 4.33 | 10.3 | 19.2 | 3.90 | 10.6 |
|                 |                        | 60                         | 24.9   | 5.51 | 10.4 | 23.5 | 5.04 | 10.6 | 22.1 | 4.59 | 10.8  | 21.3 | 4.37 | 10.9 | 20.6 | 4.16 | 11.1 | 19.2 | 3.76 | 11.3 |
|                 |                        | 96                         | 24.9   | 4.98 | 12.0 | 23.5 | 4.56 | 12.2 | 22.1 | 4.16 | 12.3  | 21.3 | 3.97 | 12.4 | 20.6 | 3.78 | 12.5 | 19.2 | 3.42 | 12.6 |
|                 | 20                     | 50                         | 24.9   | 4.40 | 14.1 | 23.5 | 4.04 | 14.4 | 22.1 | 3.69 | 14.7  | 21.3 | 3.53 | 14.9 | 20.6 | 3.37 | 15.1 | 19.2 | 3.06 | 15.4 |
|                 |                        | 60                         | 24.9   | 4.35 | 15.1 | 23.5 | 4.00 | 15.3 | 22.1 | 3.66 | 15.6  | 21.3 | 3.49 | 15.7 | 20.6 | 3.33 | 15.9 | 19.2 | 3.03 | 16.1 |
|                 |                        | 96                         | 24.9   | 4.24 | 16.9 | 23.5 | 3.89 | 17.1 | 22.1 | 3.56 | 17.2  | 21.3 | 3.41 | 17.3 | 20.6 | 3.25 | 17.4 | 19.2 | 2.95 | 17.6 |
|                 | 25                     | 50                         | 24.9   | 3.80 | 19.0 | 23.5 | 3.50 | 19.3 | 22.1 | 3.21 | 19.6  | 21.3 | 3.07 | 19.8 | 20.6 | 2.94 | 19.9 | 19.2 | 2.68 | 20.3 |
|                 |                        | 60                         | 24.9   | 3.76 | 20.0 | 23.5 | 3.46 | 20.2 | 22.1 | 3.18 | 20.5  | 21.3 | 3.04 | 20.6 | 20.6 | 2.91 | 20.8 | 19.2 | 2.65 | 21.0 |
|                 |                        | 96                         | 24.9   | 3.67 | 21.8 | 23.5 | 3.38 | 22.0 | 22.1 | 3.10 | 22.2  | 21.3 | 2.97 | 22.3 | 20.6 | 2.84 | 22.3 | 19.2 | 2.59 | 22.5 |
| 30              | 50                     | 24.9                       | 3.63   | 22.5 | 23.5 | 3.35 | 22.6 | 22.1 | 3.08 | 22.7 | 21.3  | 2.95 | 22.8 | 20.6 | 2.82 | 22.9 | 19.2 | 2.57 | 23.0 |      |
|                 | 60                     | 24.9                       | 3.34   | 23.8 | 23.5 | 3.08 | 24.2 | 22.1 | 2.84 | 24.5 | 21.3  | 2.72 | 24.7 | 20.6 | 2.61 | 24.8 | 19.2 | 2.38 | 25.2 |      |
|                 | 96                     | 24.9                       | 3.30   | 24.8 | 23.5 | 3.05 | 25.1 | 22.1 | 2.81 | 25.4 | 21.3  | 2.69 | 25.5 | 20.6 | 2.58 | 25.7 | 19.2 | 2.36 | 26.0 |      |
| 35              | 50                     | 24.9                       | 3.22   | 26.8 | 23.5 | 2.98 | 26.9 | 22.1 | 2.75 | 27.1 | 21.3  | 2.63 | 27.2 | 20.6 | 2.52 | 27.3 | 19.2 | 2.31 | 27.5 |      |
|                 | 60                     | 24.9                       | 3.20   | 27.4 | 23.5 | 2.95 | 27.6 | 22.1 | 2.72 | 27.7 | 21.3  | 2.61 | 27.8 | 20.6 | 2.50 | 27.8 | 19.2 | 2.29 | 28.0 |      |
|                 | 96                     | 24.9                       | 2.97   | 28.7 | 23.5 | 2.75 | 29.1 | 22.1 | 2.54 | 29.4 | 21.3  | 2.44 | 29.6 | 20.6 | 2.34 | 29.8 | 19.2 | 2.15 | 30.1 |      |
| 40              | 50                     | 24.9                       | 2.94   | 29.8 | 23.5 | 2.72 | 30.0 | 22.1 | 2.52 | 30.3 | 21.3  | 2.42 | 30.5 | 20.6 | 2.32 | 30.6 | 19.2 | 2.13 | 30.9 |      |
|                 | 60                     | 24.9                       | 2.87   | 31.7 | 23.5 | 2.66 | 31.9 | 22.1 | 2.46 | 32.1 | 21.3  | 2.36 | 32.2 | 20.6 | 2.27 | 32.3 | 19.2 | 2.09 | 32.4 |      |
|                 | 96                     | 24.9                       | 2.85   | 32.4 | 23.5 | 2.64 | 32.5 | 22.1 | 2.44 | 32.7 | 21.3  | 2.35 | 32.7 | 20.6 | 2.25 | 32.8 | 19.2 | 2.07 | 33.0 |      |
| 45              | 50                     | 24.9                       | 2.89   | 33.7 | 23.5 | 2.68 | 34.0 | 22.1 | 2.48 | 34.4 | 21.3  | 2.38 | 34.6 | 20.6 | 2.28 | 34.7 | 19.2 | 2.10 | 35.1 |      |
|                 | 60                     | 24.9                       | 2.87   | 34.7 | 23.5 | 2.66 | 35.0 | 22.1 | 2.45 | 35.3 | 21.3  | 2.36 | 35.5 | 20.6 | 2.26 | 35.6 | 19.2 | 2.08 | 35.9 |      |
|                 | 96                     | 24.9                       | 2.80   | 36.7 | 23.5 | 2.59 | 36.9 | 22.1 | 2.40 | 37.1 | 21.3  | 2.31 | 37.2 | 20.6 | 2.21 | 37.3 | 19.2 | 2.04 | 37.4 |      |
| 50              | 50                     | 24.9                       | 2.78   | 37.4 | 23.5 | 2.58 | 37.5 | 22.1 | 2.38 | 37.7 | 21.3  | 2.29 | 37.7 | 20.6 | 2.20 | 37.8 | 19.2 | 2.02 | 37.9 |      |
|                 | 60                     | 24.9                       | 2.82   | 38.7 | 23.5 | 2.61 | 39.0 | 22.1 | 2.41 | 39.4 | 21.3  | 2.32 | 39.5 | 20.6 | 2.22 | 39.7 | 19.2 | 2.04 | 40.1 |      |
|                 | 96                     | 24.9                       | 2.80   | 39.7 | 23.5 | 2.59 | 40.0 | 22.1 | 2.39 | 40.3 | 21.3  | 2.30 | 40.5 | 20.6 | 2.21 | 40.6 | 19.2 | 2.03 | 40.9 |      |
| 60              | 10                     | 50                         | 24.9   | 2.73 | 41.7 | 23.5 | 2.53 | 41.9 | 22.1 | 2.34 | 42.1  | 21.3 | 2.25 | 42.2 | 20.6 | 2.16 | 42.2 | 19.2 | 1.98 | 42.4 |
|                 |                        | 60                         | 24.9   | 2.71 | 42.4 | 23.5 | 2.51 | 42.5 | 22.1 | 2.32 | 42.6  | 21.3 | 2.23 | 42.7 | 20.6 | 2.14 | 42.8 | 19.2 | 1.97 | 42.9 |
|                 |                        | 96                         | 17.0   | 3.12 | 6.03 | 16.9 | 3.22 | 6.08 | 16.8 | 3.32 | 6.15  | 16.7 | 3.38 | 6.19 | 16.6 | 3.44 | 6.22 | 16.4 | 3.57 | 6.31 |
|                 | 15                     | 50                         | 19.1   | 4.00 | 6.38 | 19.0 | 4.12 | 6.45 | 18.8 | 4.26 | 6.52  | 18.3 | 4.08 | 6.61 | 17.7 | 3.88 | 6.70 | 16.5 | 3.48 | 6.90 |
|                 |                        | 60                         | 21.3   | 4.73 | 7.52 | 20.1 | 4.34 | 7.64 | 18.9 | 3.96 | 7.77  | 18.3 | 3.78 | 7.83 | 17.7 | 3.60 | 7.90 | 16.5 | 3.26 | 8.03 |
|                 |                        | 96                         | 21.3   | 4.58 | 8.00 | 20.1 | 4.20 | 8.10 | 18.9 | 3.84 | 8.20  | 18.3 | 3.66 | 8.25 | 17.7 | 3.50 | 8.31 | 16.5 | 3.17 | 8.41 |
|                 | 20                     | 50                         | 21.3   | 4.54 | 10.2 | 20.1 | 4.17 | 10.4 | 18.9 | 3.81 | 10.7  | 18.3 | 3.64 | 10.8 | 17.7 | 3.47 | 10.9 | 16.5 | 3.15 | 11.2 |
|                 |                        | 60                         | 21.3   | 4.37 | 10.9 | 20.1 | 4.01 | 11.2 | 18.9 | 3.67 | 11.4  | 18.3 | 3.51 | 11.5 | 17.7 | 3.35 | 11.6 | 16.5 | 3.04 | 11.8 |
|                 |                        | 96                         | 21.3   | 3.96 | 12.4 | 20.1 | 3.65 | 12.5 | 18.9 | 3.34 | 12.7  | 18.3 | 3.20 | 12.7 | 17.7 | 3.06 | 12.8 | 16.5 | 2.78 | 13.0 |
|                 | 25                     | 50                         | 21.3   | 3.84 | 12.9 | 20.1 | 3.53 | 13.0 | 18.9 | 3.24 | 13.1  | 18.3 | 3.10 | 13.2 | 17.7 | 2.97 | 13.2 | 16.5 | 2.70 | 13.4 |
|                 |                        | 60                         | 21.3   | 3.53 | 14.9 | 20.1 | 3.25 | 15.2 | 18.9 | 2.99 | 15.4  | 18.3 | 2.86 | 15.6 | 17.7 | 2.74 | 15.7 | 16.5 | 2.50 | 16.0 |
|                 |                        | 96                         | 21.3   | 3.49 | 15.7 | 20.1 | 3.22 | 16.0 | 18.9 | 2.96 | 16.2  | 18.3 | 2.84 | 16.3 | 17.7 | 2.71 | 16.4 | 16.5 | 2.48 | 16.7 |
| 30              | 50                     | 21.3                       | 3.40   | 17.3 | 20.1 | 3.14 | 17.5 | 18.9 | 2.89 | 17.6 | 18.3  | 2.77 | 17.7 | 17.7 | 2.65 | 17.8 | 16.5 | 2.42 | 17.9 |      |
|                 | 60                     | 21.3                       | 3.37   | 17.9 | 20.1 | 3.12 | 18.0 | 18.9 | 2.87 | 18.1 | 18.3  | 2.75 | 18.1 | 17.7 | 2.63 | 18.2 | 16.5 | 2.41 | 18.3 |      |
|                 | 96                     | 21.3                       | 3.07   | 19.8 | 20.1 | 2.84 | 20.0 | 18.9 | 2.62 | 20.3 | 18.3  | 2.52 | 20.5 | 17.7 | 2.41 | 20.6 | 16.5 | 2.21 | 20.9 |      |
| 35              | 50                     | 21.3                       | 3.04   | 20.6 | 20.1 | 2.82 | 20.9 | 18.9 | 2.60 | 21.1 | 18.3  | 2.49 | 21.2 | 17.7 | 2.39 | 21.3 | 16.5 | 2.19 | 21.6 |      |
|                 | 60                     | 21.3                       | 2.97   | 22.3 | 20.1 | 2.75 | 22.4 | 18.9 | 2.54 | 22.6 | 18.3  | 2.44 | 22.6 | 17.7 | 2.34 | 22.7 | 16.5 | 2.15 | 22.9 |      |
|                 | 96                     | 21.3                       | 2.95   | 22.8 | 20.1 | 2.73 | 22.9 | 18.9 | 2.52 | 23.0 | 18.3  | 2.42 | 23.1 | 17.7 | 2.32 | 23.2 | 16.5 | 2.13 | 23.3 |      |
| 40              | 50                     | 21.3                       | 2.72   | 24.7 | 20.1 | 2.52 | 25.0 | 18.9 | 2.34 | 25.3 | 18.3  | 2.25 | 25.4 | 17.7 | 2.16 | 25.5 | 16.5 | 1.99 | 25.8 |      |
|                 | 60                     | 21.3                       | 2.69   | 25.5 | 20.1 | 2.50 | 25.8 | 18.9 | 2.32 | 26.0 | 18.3  | 2.23 | 26.2 | 17.7 | 2.14 | 26.3 | 16.5 | 1.97 | 26.5 |      |
|                 | 96                     | 21.3                       | 2.63   | 27.2 | 20.1 | 2.44 | 27.4 | 18.9 | 2.27 | 27.5 | 18.3  | 2.18 | 27.6 | 17.7 | 2.09 | 27.7 | 16.5 | 1.93 | 27.8 |      |
| 45              | 50                     | 21.3                       | 2.61   | 27.8 | 20.1 | 2.43 | 27.9 | 18.9 | 2.25 | 28.0 | 18.3  | 2.16 | 28.1 | 17.7 | 2.08 | 28.1 | 16.5 | 1.92 | 28.3 |      |
|                 | 60                     | 21.3                       | 2.44   | 29.6 | 20.1 | 2.27 | 29.9 | 18.9 | 2.11 | 30.2 | 18.3  | 2.03 | 30.3 | 17.7 | 1.95 | 30.5 | 16.5 | 1.81 | 30.8 |      |
|                 | 96                     | 21.3                       | 2.42   | 30.5 | 20.1 | 2.25 | 30.7 | 18.9 | 2.09 | 31.0 | 18.3  | 2.01 | 31.1 | 17.7 | 1.94 | 31.2 | 16.5 | 1.79 | 31.5 |      |
| 50              | 50                     | 21.3                       | 2.36   | 32.2 | 20.1 | 2.20 | 32.3 | 18.9 | 2.05 | 32.5 | 18.3  | 1.97 | 32.6 | 17.7 | 1.90 | 32.6 | 16.5 | 1.76 | 32.8 |      |
|                 | 60                     | 21.3                       | 2.35   | 32.7 | 20.1 | 2.19 | 32.9 | 18.9 | 2.03 | 33.0 | 18.3  | 1.96 | 33.1 | 17.7 | 1.89 | 33.1 | 16.5 | 1.75 | 33.2 |      |
|                 | 96                     | 21.3                       | 2.38   | 34.6 | 20.1 | 2.21 | 34.9 | 18.9 | 2.06 | 35.2 | 18.3  | 1.98 | 35.3 | 17.7 | 1.91 | 35.5 | 16.5 | 1.76 | 35.8 |      |
| 55              | 50                     | 21.3                       | 2.36   | 35.5 | 20.1 | 2.19 | 35.7 | 18.9 | 2.04 | 36.0 | 18.3  | 1.96 | 36.1 | 17.7 | 1.89 | 36.2 | 16.5 | 1.75 | 36.5 |      |
|                 | 60                     | 21.3                       | 2.30   | 37.2 | 20.1 | 2.15 | 37.3 | 18.9 | 2.00 | 37.5 | 18.3  | 1.92 | 37.6 | 17.7 | 1.85 | 37.6 | 16.5 | 1.72 | 37.8 |      |
|                 | 96                     | 21.3                       | 2.29   | 37.7 | 20.1 | 2.13 | 37.9 | 18.9 | 1.98 | 38.0 | 18.3  | 1.91 | 38.0 | 17.7 | 1.84 | 38.1 | 16.5 | 1.70 | 38.2 |      |
| 60              | 50                     | 21.3                       | 2.32   | 39.6 | 20.1 | 2.16 | 39.9 | 18.9 | 2.00 | 40.2 | 18.3  | 1.93 | 40.3 | 17.7 | 1.86 | 40.5 | 16.5 | 1.72 | 40.8 |      |
|                 | 60                     | 21.3                       | 2.30   | 40.5 | 20.1 | 2.14 | 40.7 | 18.9 | 1.99 | 41.0 | 18.3  | 1.91 | 41.1 | 17.7 | 1.84 | 41.2 | 16.5 | 1.71 | 41.5 |      |
|                 | 96                     | 21.3                       | 2.25   | 42.2 | 20.1 | 2.09 | 42.3 | 18.9 | 1.95 |      |       |      |      |      |      |      |      |      |      |      |

# 4 Capacity tables

## 4 - 3 Heating capacity tables

| RWEYQ16PY1      |                        | TC: Total Capacity: kW ; PI: Power Input: kW (compressor + outdoor fan motor) ; OWT: Outlet Water Temperatur: °C |                              |      |      |      |      |      |      |      |      |      |      |      |      |      |      |      |      |       |  |  |  |  |  |  |
|-----------------|------------------------|--|------------------------------|------|------|------|------|------|------|------|------|------|------|------|------|------|------|------|------|-------|--|--|--|--|--|--|
| Combination (%) | Inlet Water Temp. (°C) | Water Volume (note2) L/min   | Indoor air temperature: °CWB |      |      |      |      |      |      |      |      |      |      |      |      |      |      |      |      |       |  |  |  |  |  |  |
|                 |                        |  | 16.0                         |      |      | 18.0 |      |      | 20.0 |      |      | 21.0 |      |      | 22.0 |      |      | 24.0 |      |       |  |  |  |  |  |  |
|                 |                        |  | TC                           | PI   | OWT  | TC   | PI   | OWT  | TC   | PI   | OWT  | TC   | PI   | OWT  | TC   | PI   | OWT  | TC   | PI   | OWT   |  |  |  |  |  |  |
| 130             | 10                     | 50   | 23.5                         | 5.47 | 7.42 | 24.5 | 5.01 | 7.21 | 25.3 | 4.64 | 7.04 | 25.7 | 4.48 | 6.96 | 26.0 | 4.35 | 6.90 | 26.6 | 4.13 | 6.79  |  |  |  |  |  |  |
|                 |                        | 60   | 29.2                         | 5.46 | 7.17 | 29.8 | 5.16 | 7.05 | 30.4 | 4.94 | 6.96 | 30.6 | 4.86 | 6.93 | 30.8 | 4.80 | 6.89 | 31.1 | 4.72 | 6.85  |  |  |  |  |  |  |
|                 |                        | 96   | 40.4                         | 6.46 | 7.47 | 40.6 | 6.45 | 7.45 | 40.6 | 6.50 | 7.45 | 40.6 | 6.55 | 7.45 | 40.6 | 6.61 | 7.46 | 40.5 | 6.78 | 7.48  |  |  |  |  |  |  |
|                 |                        | 120  | 42.6                         | 6.71 | 7.86 | 42.7 | 6.75 | 7.85 | 42.7 | 6.84 | 7.86 | 42.6 | 6.91 | 7.87 | 42.6 | 7.00 | 7.88 | 42.4 | 7.20 | 7.90  |  |  |  |  |  |  |
|                 | 15                     | 50   | 42.5                         | 6.63 | 9.86 | 42.6 | 6.67 | 9.85 | 42.6 | 6.77 | 9.87 | 42.5 | 6.83 | 9.88 | 42.5 | 6.91 | 9.90 | 42.3 | 7.12 | 9.96  |  |  |  |  |  |  |
|                 |                        | 60   | 43.7                         | 6.65 | 10.6 | 43.7 | 6.71 | 10.6 | 43.7 | 6.83 | 10.6 | 43.6 | 6.90 | 10.6 | 43.6 | 6.99 | 10.6 | 43.3 | 7.21 | 10.7  |  |  |  |  |  |  |
|                 |                        | 96   | 46.9                         | 6.75 | 12.0 | 46.8 | 6.86 | 12.0 | 46.7 | 7.02 | 12.0 | 46.5 | 7.12 | 12.1 | 46.4 | 7.23 | 12.1 | 46.1 | 7.48 | 12.1  |  |  |  |  |  |  |
|                 |                        | 120  | 48.0                         | 6.80 | 12.5 | 47.9 | 6.92 | 12.6 | 47.7 | 7.10 | 12.6 | 47.6 | 7.20 | 12.6 | 47.4 | 7.32 | 12.6 | 47.1 | 7.58 | 12.6  |  |  |  |  |  |  |
|                 | 20                     | 50   | 50.9                         | 6.94 | 13.7 | 50.7 | 7.11 | 13.8 | 50.5 | 7.31 | 13.8 | 50.3 | 7.43 | 13.9 | 50.1 | 7.55 | 13.9 | 49.7 | 7.83 | 14.0  |  |  |  |  |  |  |
|                 |                        | 60   | 51.3                         | 6.96 | 14.7 | 51.1 | 7.13 | 14.8 | 50.8 | 7.34 | 14.8 | 50.6 | 7.46 | 14.8 | 50.5 | 7.58 | 14.9 | 50.0 | 7.86 | 15.0  |  |  |  |  |  |  |
|                 |                        | 96   | 52.2                         | 7.02 | 16.6 | 52.0 | 7.20 | 16.7 | 51.7 | 7.41 | 16.7 | 51.5 | 7.53 | 16.7 | 51.3 | 7.66 | 16.7 | 50.9 | 7.95 | 16.8  |  |  |  |  |  |  |
|                 |                        | 120  | 52.5                         | 7.04 | 17.3 | 52.2 | 7.22 | 17.3 | 52.0 | 7.43 | 17.3 | 51.8 | 7.55 | 17.4 | 51.6 | 7.68 | 17.4 | 51.1 | 7.97 | 17.4  |  |  |  |  |  |  |
| 25              | 50                     | 56.1   | 7.28                         | 18.0 | 55.8 | 7.49 | 18.1 | 55.4 | 7.73 | 18.2 | 55.2 | 7.86 | 18.2 | 54.9 | 8.00 | 18.3 | 54.4 | 8.31 | 18.4 |       |  |  |  |  |  |  |
|                 | 60                     | 56.4   | 7.31                         | 19.1 | 56.1 | 7.52 | 19.2 | 55.7 | 7.76 | 19.3 | 55.5 | 7.89 | 19.3 | 55.3 | 8.03 | 19.4 | 54.8 | 8.34 | 19.5 |       |  |  |  |  |  |  |
|                 | 96                     | 57.4   | 7.38                         | 21.3 | 57.1 | 7.60 | 21.3 | 56.7 | 7.84 | 21.4 | 56.4 | 7.98 | 21.4 | 56.2 | 8.12 | 21.4 | 55.6 | 8.43 | 21.5 |       |  |  |  |  |  |  |
|                 | 120                    | 57.7   | 7.40                         | 22.0 | 57.4 | 7.62 | 22.0 | 57.0 | 7.87 | 22.1 | 56.7 | 8.00 | 22.1 | 56.5 | 8.15 | 22.1 | 55.9 | 8.45 | 22.2 |       |  |  |  |  |  |  |
| 30              | 50                     | 61.2   | 7.67                         | 22.3 | 60.8 | 7.91 | 22.4 | 60.3 | 8.17 | 22.5 | 60.0 | 8.31 | 22.6 | 59.7 | 8.46 | 22.7 | 59.6 | 8.92 | 23.0 |       |  |  |  |  |  |  |
|                 | 60                     | 61.6   | 7.70                         | 23.6 | 61.1 | 7.94 | 23.6 | 60.7 | 8.20 | 23.7 | 60.4 | 8.34 | 23.8 | 60.1 | 8.49 | 23.8 | 59.6 | 8.93 | 23.2 |       |  |  |  |  |  |  |
|                 | 96                     | 62.6   | 7.78                         | 25.9 | 62.2 | 8.02 | 26.0 | 61.6 | 8.29 | 26.0 | 61.4 | 8.43 | 26.0 | 60.8 | 8.49 | 26.1 | 59.6 | 9.11 | 26.3 |       |  |  |  |  |  |  |
|                 | 120                    | 62.9   | 7.81                         | 26.7 | 62.5 | 8.05 | 26.7 | 62.0 | 8.32 | 26.8 | 61.7 | 8.46 | 26.8 | 60.8 | 8.42 | 26.9 | 59.6 | 9.11 | 26.3 |       |  |  |  |  |  |  |
| 35              | 50                     | 66.3   | 8.08                         | 26.7 | 65.7 | 8.34 | 26.8 | 65.0 | 8.56 | 26.9 | 62.9 | 8.13 | 27.1 | 60.8 | 7.72 | 27.4 | 56.6 | 9.93 | 27.9 |       |  |  |  |  |  |  |
|                 | 60                     | 66.7   | 8.12                         | 28.0 | 66.2 | 8.37 | 28.1 | 65.0 | 8.46 | 28.2 | 62.9 | 8.04 | 28.4 | 60.8 | 7.64 | 28.6 | 56.6 | 9.93 | 29.1 |       |  |  |  |  |  |  |
|                 | 96                     | 67.8   | 8.20                         | 30.6 | 67.2 | 8.46 | 30.6 | 65.0 | 8.22 | 30.8 | 62.9 | 7.82 | 30.9 | 60.8 | 7.43 | 31.0 | 56.6 | 9.93 | 31.3 |       |  |  |  |  |  |  |
|                 | 120                    | 68.1   | 8.23                         | 31.4 | 67.6 | 8.48 | 31.5 | 65.0 | 8.15 | 31.6 | 62.9 | 7.75 | 31.7 | 60.8 | 7.36 | 31.8 | 56.6 | 9.93 | 32.0 |       |  |  |  |  |  |  |
| 40              | 50                     | 71.3   | 8.50                         | 31.0 | 69.2 | 8.31 | 31.3 | 65.0 | 8.23 | 31.9 | 62.9 | 7.83 | 32.1 | 60.8 | 7.44 | 32.3 | 56.6 | 9.93 | 32.8 |       |  |  |  |  |  |  |
|                 | 60                     | 71.8   | 8.54                         | 32.4 | 69.2 | 8.21 | 32.7 | 65.0 | 8.14 | 33.2 | 62.9 | 7.74 | 33.4 | 60.8 | 7.36 | 33.6 | 56.6 | 9.93 | 34.0 |       |  |  |  |  |  |  |
|                 | 96                     | 72.9   | 8.62                         | 35.2 | 69.2 | 7.98 | 35.4 | 65.0 | 7.91 | 35.7 | 62.9 | 7.53 | 35.9 | 60.8 | 7.16 | 36.0 | 56.6 | 9.93 | 36.3 |       |  |  |  |  |  |  |
|                 | 120                    | 73.3   | 8.65                         | 36.1 | 69.2 | 7.91 | 36.3 | 65.0 | 7.84 | 36.6 | 62.9 | 7.47 | 36.7 | 60.8 | 7.10 | 36.8 | 56.6 | 9.93 | 37.0 |       |  |  |  |  |  |  |
| 45              | 50                     | 73.4   | 8.44                         | 35.7 | 69.2 | 8.10 | 36.2 | 65.0 | 7.94 | 36.8 | 62.9 | 7.56 | 37.1 | 60.8 | 7.19 | 37.3 | 56.6 | 9.93 | 37.8 |       |  |  |  |  |  |  |
|                 | 60                     | 73.4   | 8.35                         | 37.2 | 69.2 | 8.01 | 37.7 | 65.0 | 7.85 | 38.2 | 62.9 | 7.48 | 38.4 | 60.8 | 7.12 | 38.6 | 56.6 | 9.93 | 39.0 |       |  |  |  |  |  |  |
|                 | 96                     | 73.4   | 8.12                         | 40.1 | 69.2 | 7.78 | 40.4 | 65.0 | 7.64 | 40.7 | 62.9 | 7.28 | 40.8 | 60.8 | 6.93 | 41.0 | 56.6 | 9.93 | 41.2 |       |  |  |  |  |  |  |
|                 | 120                    | 73.4   | 8.04                         | 41.1 | 69.2 | 7.71 | 41.3 | 65.0 | 7.57 | 41.6 | 62.9 | 7.22 | 41.7 | 60.8 | 6.87 | 41.8 | 56.6 | 9.93 | 42.0 |       |  |  |  |  |  |  |
| 120             | 10                     | 50   | 24.8                         | 4.87 | 7.15 | 25.5 | 4.55 | 7.00 | 26.1 | 4.30 | 6.87 | 26.4 | 4.20 | 6.82 | 26.6 | 4.11 | 6.78 | 27.0 | 3.99 | 6.71  |  |  |  |  |  |  |
|                 |                        | 60   | 30.0                         | 5.08 | 7.02 | 30.5 | 4.90 | 6.94 | 30.9 | 4.78 | 6.88 | 31.0 | 4.74 | 6.86 | 31.1 | 4.72 | 6.85 | 31.2 | 4.72 | 6.83  |  |  |  |  |  |  |
|                 |                        | 96   | 40.6                         | 6.46 | 7.45 | 40.7 | 6.53 | 7.45 | 40.6 | 6.64 | 7.47 | 40.5 | 6.72 | 7.48 | 40.5 | 6.81 | 7.49 | 40.2 | 7.03 | 7.52  |  |  |  |  |  |  |
|                 |                        | 120  | 42.7                         | 6.77 | 7.86 | 42.6 | 6.88 | 7.86 | 42.5 | 7.03 | 7.88 | 42.4 | 7.13 | 7.89 | 42.3 | 7.23 | 7.90 | 42.1 | 7.48 | 7.93  |  |  |  |  |  |  |
|                 | 15                     | 50   | 42.6                         | 6.70 | 9.86 | 42.5 | 6.80 | 9.88 | 42.4 | 6.95 | 9.91 | 42.4 | 7.04 | 9.94 | 42.2 | 7.15 | 9.97 | 42.0 | 7.39 | 10.04 |  |  |  |  |  |  |
|                 |                        | 60   | 43.7                         | 6.75 | 10.6 | 43.7 | 6.87 | 10.6 | 43.5 | 7.03 | 10.6 | 43.4 | 7.13 | 10.7 | 43.3 | 7.24 | 10.7 | 43.0 | 7.50 | 10.8  |  |  |  |  |  |  |
|                 |                        | 96   | 46.8                         | 6.91 | 12.0 | 46.6 | 7.07 | 12.1 | 46.4 | 7.27 | 12.1 | 46.2 | 7.39 | 12.1 | 46.1 | 7.51 | 12.1 | 45.7 | 7.79 | 12.2  |  |  |  |  |  |  |
|                 |                        | 120  | 47.8                         | 6.98 | 12.6 | 47.6 | 7.15 | 12.6 | 47.4 | 7.36 | 12.6 | 47.2 | 7.48 | 12.6 | 47.0 | 7.61 | 12.6 | 46.6 | 7.90 | 12.7  |  |  |  |  |  |  |
|                 | 20                     | 50   | 50.6                         | 7.17 | 13.8 | 50.4 | 7.37 | 13.8 | 50.1 | 7.60 | 13.9 | 49.9 | 7.73 | 14.0 | 49.7 | 7.87 | 14.0 | 49.2 | 8.17 | 14.1  |  |  |  |  |  |  |
|                 |                        | 60   | 51.0                         | 7.20 | 14.8 | 50.7 | 7.40 | 14.8 | 50.4 | 7.63 | 14.9 | 50.2 | 7.76 | 14.9 | 50.0 | 7.90 | 15.0 | 49.5 | 8.20 | 15.1  |  |  |  |  |  |  |
|                 |                        | 96   | 51.9                         | 7.27 | 16.7 | 51.6 | 7.47 | 16.7 | 51.2 | 7.71 | 16.8 | 51.0 | 7.84 | 16.8 | 50.8 | 7.98 | 16.8 | 50.3 | 8.29 | 16.9  |  |  |  |  |  |  |
|                 |                        | 120  | 52.2                         | 7.29 | 17.3 | 51.9 | 7.50 | 17.4 | 51.5 | 7.74 | 17.4 | 51.3 | 7.87 | 17.4 | 51.1 | 8.01 | 17.4 | 50.6 | 8.31 | 17.5  |  |  |  |  |  |  |
| 25              | 50                     | 55.6   | 7.57                         | 18.1 | 55.3 | 7.80 | 18.2 | 54.8 | 8.06 | 18.3 | 54.6 | 8.20 | 18.4 | 54.3 | 8.34 | 18.4 | 52.3 | 8.08 | 18.7 |       |  |  |  |  |  |  |
|                 | 60                     | 56.0   | 7.60                         | 19.2 | 55.6 | 7.83 | 19.3 | 55.2 | 8.09 | 19.4 | 54.9 | 8.23 | 19.4 | 54.7 | 8.38 | 19.5 | 52.3 | 7.99 | 19.7 |       |  |  |  |  |  |  |
|                 | 96                     | 56.9   | 7.68                         | 21.3 | 56.5 | 7.91 | 21.4 | 56.1 | 8.18 | 21.4 | 55.8 | 8.32 | 21.5 | 55.6 | 8.46 | 21.5 | 52.3 | 7.77 | 21.7 |       |  |  |  |  |  |  |
|                 | 120                    | 57.2   | 7.70                         | 22.0 | 56.8 | 7.94 | 22.1 | 56.4 | 8.20 | 22.1 | 56.1 | 8.34 | 22.1 | 55.9 | 8.49 | 22.2 | 52.3 | 7.70 | 22.3 |       |  |  |  |  |  |  |
| 30              | 50                     | 60.6   | 8.00                         | 22.5 | 60.1 | 8.25 | 22.6 | 59.6 | 8.52 | 22.7 | 58.1 | 8.23 | 22.9 | 56.1 | 7.81 | 23.1 | 52.3 | 7.01 | 23.5 |       |  |  |  |  |  |  |
|                 | 60                     | 61.0   | 8.03                         | 23.7 | 60.5 | 8.28 | 23.8 | 60.0 | 8.55 | 23.9 | 58.1 | 8.13 | 24.0 | 56.1 | 7.72 | 24.2 | 52.3 | 6.93 | 24.6 |       |  |  |  |  |  |  |
|                 | 96                     | 62.0   | 8.11                         | 26.0 | 61.5 | 8.37 | 26.0 | 60.0 | 8.32 | 26.1 | 58.1 | 7.91 | 26.3 | 56.1 | 7.51 | 26.4 | 52.3 | 6.74 | 26.6 |       |  |  |  |  |  |  |
|                 | 120                    | 62.3   | 8.14                         | 26.8 | 61.8 | 8.39 | 26.8 | 60.0 | 8.24 | 26.9 | 58.1 | 7.83 | 27.0 | 56.1 | 7.44 | 27.1 | 52.3 | 6.68 | 27.3 |       |  |  |  |  |  |  |
| 35              | 50                     | 65.5   | 8.43                         | 26.8 | 63.9 | 8.33 | 27.0 | 60.0 | 7.56 | 27.5 | 58.1 | 7.20 | 27.7 | 56.1 | 6.84 | 27.9 | 52.3 | 6.15 | 28.4 |       |  |  |  |  |  |  |
|                 | 60                     | 66.0   | 8.46                         | 28.1 | 63.9 | 8.23 | 28.4 | 60.0 | 7.48 | 28.7 | 58.1 | 7.12 | 28.9 | 56.1 | 6.77 | 29.1 | 52.3 | 6.09 | 29.5 |       |  |  |  |  |  |  |
|                 | 96                     | 67.0   | 8.55                         | 30.6 | 63.9 | 8.00 | 30.8 | 60.0 | 7.27 | 31.1 | 58.1 | 6.92 | 31.2 | 56.1 | 6.58 | 31.3 | 52.3 | 5.93 | 31.5 |       |  |  |  |  |  |  |
|                 | 120                    | 67.4   | 8.58                         | 31.5 | 63.9 | 7.93 | 31.7 | 60.0 | 7.21 | 31.8 | 58.1 | 6.86 | 31.9 | 56.1 | 6.53 | 32.0 | 52.3 | 5.88 | 32.2 |       |  |  |  |  |  |  |
| 40              | 50                     | 67.7   | 8.03                         | 31.4 | 63.9 | 8.01 | 32.0 | 60.0 | 7.29 | 32.4 | 58.1 | 6.95 | 32.7 | 56.1 | 6.61 | 32.9 | 52.3 | 5.97 | 33.4 |       |  |  |  |  |  |  |
|                 | 60                     | 67.7   | 7.95                         | 32.9 | 63.9 | 7.92 | 33.3 | 60.0 | 7.21 | 33.7 | 58.1 | 6.87 | 33.9 | 56.1 | 6.54 | 34.1 | 52.3 | 5.90 | 34.5 |       |  |  |  |  |  |  |
|                 | 96                     | 67.7   | 7.72                         | 35.5 | 63.9 | 7.70 | 35.8 | 60.0 | 7.02 | 36.0 | 58.1 | 6.69 | 36.2 | 56.1 | 6.37 | 36.3 | 52.3 | 5.75 | 36.5 |       |  |  |  |  |  |  |
|                 | 120                    | 67.7   | 7.66                         | 36.4 | 63.9 | 7.63 | 36.6 | 60.0 | 6.96 | 36.8 | 58.1 | 6.63 | 36.9 | 56.1 | 6.31 | 37.0 | 52.3 | 5.71 | 37.2 |       |  |  |  |  |  |  |
| 45              | 50                     | 67.7   | 7.83                         | 36.4 | 63.9 | 7.73 | 37.0 | 60.0 | 7.05 | 37.4 | 58.1 | 6.73 | 37.6 | 56.1 | 6.41 | 37.9 | 52.3 | 5.34 | 38.3 |       |  |  |  |  |  |  |
|                 | 60                     | 67.7   | 7.75                         | 37.8 | 63.9 | 7.65 | 38.3 | 60.0 | 6.98 | 38.7 | 58.1 | 6.66 | 38.9 | 56.1 | 6.35 | 39.1 | 52.3 | 5.75 | 39.4 |       |  |  |  |  |  |  |
|                 | 96                     | 67.7   | 7.53                         | 40.5 | 63.9 | 7.44 | 40.8 | 60.0 | 6.80 | 41.0 | 58.1 | 6.49 | 41.2 | 56.1 | 6.18 | 41.3 | 52.3 | 5.60 | 41.5 |       |  |  |  |  |  |  |
|                 | 120                    | 67.7   | 7.46                         | 41.4 | 63.9 | 7.38 | 41.6 | 60.0 | 6.74 | 41.8 | 58.1 | 6.43 | 41.9 | 56.1 | 6.13 | 42.0 | 52.3 | 5.56 | 42.2 |       |  |  |  |  |  |  |
| 110             | 10                     | 50   | 25.8                         | 4.43 | 6.93 | 26.3 | 4.22 | 6.83 | 26.7 | 4.07 | 6.75 | 26.9 | 4.02 | 6.72 | 27.0 | 3.98 | 6.70 | 27.2 | 3.94 | 6.66  |  |  |  |  |  |  |
|                 |                        | 60   | 30.7                         | 4.83 | 6.91 | 31.0 | 4.75 | 6.87 | 31.2 | 4.71 | 6.84 | 31.2 |      |      |      |      |      |      |      |       |  |  |  |  |  |  |

# 4 Capacity tables

## 4 - 3 Heating capacity tables

| RWEYQ16PY1      |                        |                            | TC: Total Capacity: kW ; PI: Power Input: kW (compressor + outdoor fan motor) ; OWT: Outlet Water Temperatur: °C |      |       |      |      |       |      |      |       |      |      |       |      |      |       |      |      |       |  |  |  |  |  |  |
|-----------------|------------------------|----------------------------|--|------|-------|------|------|-------|------|------|-------|------|------|-------|------|------|-------|------|------|-------|--|--|--|--|--|--|
| Combination (%) | Inlet Water Temp. (°C) | Water Volume (note2) L/min | Indoor air temperature: °CWB   |      |       |      |      |       |      |      |       |      |      |       |      |      |       |      |      |       |  |  |  |  |  |  |
|                 |                        |                            | 16.0   |      |       | 18.0 |      |       | 20.0 |      |       | 21.0 |      |       | 22.0 |      |       | 24.0 |      |       |  |  |  |  |  |  |
|                 |                        |                            | TC   | PI   | OWT   | TC   | PI   | OWT   | TC   | PI   | OWT   | TC   | PI   | OWT   | TC   | PI   | OWT   | TC   | PI   | OWT   |  |  |  |  |  |  |
| 100             | 10                     | 50                         | 26.6   | 4.12 | 6.78  | 26.9 | 4.02 | 6.72  | 27.1 | 3.96 | 6.68  | 27.2 | 3.94 | 6.67  | 27.3 | 3.94 | 6.66  | 27.3 | 3.98 | 6.65  |  |  |  |  |  |  |
|                 |                        | 60                         | 31.1   | 4.72 | 6.85  | 31.2 | 4.71 | 6.83  | 31.3 | 4.75 | 6.83  | 31.3 | 4.79 | 6.84  | 31.3 | 4.84 | 6.85  | 31.2 | 4.96 | 6.87  |  |  |  |  |  |  |
|                 |                        | 96                         | 40.5   | 6.80 | 7.49  | 40.3 | 6.97 | 7.51  | 40.1 | 7.18 | 7.54  | 39.9 | 7.30 | 7.56  | 39.8 | 7.42 | 7.58  | 39.4 | 7.70 | 7.63  |  |  |  |  |  |  |
|                 |                        | 120                        | 42.4   | 7.22 | 7.90  | 42.1 | 7.42 | 7.93  | 41.9 | 7.65 | 7.96  | 41.7 | 7.78 | 7.97  | 41.5 | 7.92 | 7.99  | 41.1 | 8.22 | 8.03  |  |  |  |  |  |  |
|                 | 15                     | 50                         | 42.3   | 7.13 | 9.97  | 42.0 | 7.33 | 10.02 | 41.8 | 7.56 | 10.10 | 41.6 | 7.69 | 10.14 | 41.4 | 7.82 | 10.18 | 41.1 | 8.12 | 10.28 |  |  |  |  |  |  |
|                 |                        | 60                         | 43.3   | 7.23 | 10.7  | 43.1 | 7.43 | 10.7  | 42.8 | 7.67 | 10.8  | 42.6 | 7.80 | 10.8  | 42.4 | 7.94 | 10.9  | 42.0 | 8.24 | 11.0  |  |  |  |  |  |  |
|                 |                        | 96                         | 46.1   | 7.49 | 12.1  | 45.8 | 7.72 | 12.2  | 45.4 | 7.97 | 12.2  | 45.2 | 8.11 | 12.2  | 45.0 | 8.25 | 12.3  | 43.6 | 8.11 | 12.4  |  |  |  |  |  |  |
|                 |                        | 120                        | 47.1   | 7.59 | 12.6  | 46.7 | 7.82 | 12.7  | 46.4 | 8.08 | 12.7  | 46.2 | 8.22 | 12.7  | 45.9 | 8.37 | 12.8  | 43.6 | 7.83 | 12.9  |  |  |  |  |  |  |
|                 | 20                     | 50                         | 49.7   | 7.85 | 14.0  | 49.3 | 8.09 | 14.1  | 48.9 | 8.36 | 14.2  | 48.4 | 8.39 | 14.3  | 46.8 | 7.96 | 14.4  | 43.6 | 7.14 | 14.8  |  |  |  |  |  |  |
|                 |                        | 60                         | 50.0   | 7.88 | 15.0  | 49.6 | 8.13 | 15.0  | 49.2 | 8.39 | 15.1  | 48.4 | 8.29 | 15.2  | 46.8 | 7.87 | 15.4  | 43.6 | 7.06 | 15.6  |  |  |  |  |  |  |
|                 |                        | 96                         | 50.8   | 7.96 | 16.8  | 50.4 | 8.21 | 16.8  | 50.0 | 8.48 | 16.9  | 48.4 | 8.06 | 17.0  | 46.8 | 7.65 | 17.1  | 43.6 | 6.87 | 17.3  |  |  |  |  |  |  |
|                 |                        | 120                        | 51.1   | 7.99 | 17.4  | 50.7 | 8.24 | 17.5  | 50.0 | 8.40 | 17.5  | 48.4 | 7.99 | 17.6  | 46.8 | 7.58 | 17.7  | 43.6 | 6.81 | 17.8  |  |  |  |  |  |  |
| 25              | 50                     | 54.4                       | 8.32   | 18.4 | 53.2  | 8.31 | 18.6 | 50.0  | 7.54 | 18.9 | 48.4  | 7.18 | 19.1 | 46.8  | 6.82 | 19.3 | 43.6  | 6.14 | 19.6 |       |  |  |  |  |  |  |
|                 | 60                     | 54.7                       | 8.36   | 19.5 | 53.2  | 8.21 | 19.6 | 50.0  | 7.46 | 19.9 | 48.4  | 7.10 | 20.1 | 46.8  | 6.75 | 20.2 | 43.6  | 6.07 | 20.5 |       |  |  |  |  |  |  |
|                 | 96                     | 55.6                       | 8.44   | 21.5 | 53.2  | 7.98 | 21.6 | 50.0  | 7.26 | 21.8 | 48.4  | 6.91 | 21.9 | 46.8  | 6.57 | 22.0 | 43.6  | 5.91 | 22.2 |       |  |  |  |  |  |  |
|                 | 120                    | 55.9                       | 8.47   | 22.2 | 53.2  | 7.91 | 22.3 | 50.0  | 7.19 | 22.4 | 48.4  | 6.85 | 22.5 | 46.8  | 6.51 | 22.6 | 43.6  | 5.86 | 22.7 |       |  |  |  |  |  |  |
| 30              | 50                     | 56.4                       | 7.87   | 23.0 | 53.2  | 7.19 | 23.4 | 50.0  | 6.55 | 23.8 | 48.4  | 6.24 | 24.0 | 46.8  | 5.94 | 24.1 | 43.6  | 5.36 | 24.5 |       |  |  |  |  |  |  |
|                 | 60                     | 56.4                       | 7.78   | 24.2 | 53.2  | 7.12 | 24.5 | 50.0  | 6.48 | 24.8 | 48.4  | 6.18 | 25.0 | 46.8  | 5.88 | 25.1 | 43.6  | 5.31 | 25.4 |       |  |  |  |  |  |  |
|                 | 96                     | 56.4                       | 7.56   | 26.4 | 53.2  | 6.92 | 26.5 | 50.0  | 6.31 | 26.7 | 48.4  | 6.01 | 26.8 | 46.8  | 5.72 | 26.9 | 43.6  | 5.17 | 27.1 |       |  |  |  |  |  |  |
|                 | 120                    | 56.4                       | 7.50   | 27.1 | 53.2  | 6.86 | 27.2 | 50.0  | 6.25 | 27.4 | 48.4  | 5.96 | 27.5 | 46.8  | 5.68 | 27.5 | 43.6  | 5.13 | 27.7 |       |  |  |  |  |  |  |
| 35              | 50                     | 56.4                       | 6.89   | 27.9 | 53.2  | 6.32 | 28.3 | 50.0  | 5.77 | 28.7 | 48.4  | 5.50 | 28.9 | 46.8  | 5.24 | 29.0 | 43.6  | 4.75 | 29.4 |       |  |  |  |  |  |  |
|                 | 60                     | 56.4                       | 6.82   | 29.1 | 53.2  | 6.25 | 29.4 | 50.0  | 5.71 | 29.7 | 48.4  | 5.45 | 29.9 | 46.8  | 5.19 | 30.0 | 43.6  | 4.70 | 30.4 |       |  |  |  |  |  |  |
|                 | 96                     | 56.4                       | 6.63   | 31.3 | 53.2  | 6.08 | 31.5 | 50.0  | 5.56 | 31.7 | 48.4  | 5.31 | 31.8 | 46.8  | 5.06 | 31.9 | 43.6  | 4.59 | 32.1 |       |  |  |  |  |  |  |
|                 | 120                    | 56.4                       | 6.57   | 32.0 | 53.2  | 6.03 | 32.2 | 50.0  | 5.51 | 32.3 | 48.4  | 5.26 | 32.4 | 46.8  | 5.02 | 32.5 | 43.6  | 4.55 | 32.7 |       |  |  |  |  |  |  |
| 40              | 50                     | 56.4                       | 6.66   | 32.9 | 53.2  | 6.12 | 33.3 | 50.0  | 5.60 | 33.6 | 48.4  | 5.35 | 33.8 | 46.8  | 5.11 | 34.0 | 43.6  | 4.63 | 34.4 |       |  |  |  |  |  |  |
|                 | 60                     | 56.4                       | 6.59   | 34.0 | 53.2  | 6.05 | 34.4 | 50.0  | 5.54 | 34.7 | 48.4  | 5.30 | 34.9 | 46.8  | 5.06 | 35.0 | 43.6  | 4.59 | 35.3 |       |  |  |  |  |  |  |
|                 | 96                     | 56.4                       | 6.41   | 36.3 | 53.2  | 5.90 | 36.5 | 50.0  | 5.40 | 36.7 | 48.4  | 5.17 | 36.8 | 46.8  | 4.93 | 36.9 | 43.6  | 4.47 | 37.1 |       |  |  |  |  |  |  |
|                 | 120                    | 56.4                       | 6.36   | 37.0 | 53.2  | 5.85 | 37.2 | 50.0  | 5.36 | 37.3 | 48.4  | 5.12 | 37.4 | 46.8  | 4.89 | 37.5 | 43.6  | 4.44 | 37.7 |       |  |  |  |  |  |  |
| 45              | 50                     | 56.4                       | 6.46   | 37.8 | 53.2  | 5.95 | 38.2 | 50.0  | 5.46 | 38.6 | 48.4  | 5.22 | 38.8 | 46.8  | 4.98 | 39.0 | 43.6  | 4.52 | 39.4 |       |  |  |  |  |  |  |
|                 | 60                     | 56.4                       | 6.39   | 39.0 | 53.2  | 5.89 | 39.3 | 50.0  | 5.40 | 39.7 | 48.4  | 5.17 | 39.8 | 46.8  | 4.93 | 40.0 | 43.6  | 4.47 | 40.3 |       |  |  |  |  |  |  |
|                 | 96                     | 56.4                       | 6.23   | 41.3 | 53.2  | 5.74 | 41.5 | 50.0  | 5.27 | 41.7 | 48.4  | 5.04 | 41.8 | 46.8  | 4.81 | 41.9 | 43.6  | 4.36 | 42.1 |       |  |  |  |  |  |  |
|                 | 120                    | 56.4                       | 6.18   | 42.0 | 53.2  | 5.69 | 42.2 | 50.0  | 5.23 | 42.3 | 48.4  | 5.00 | 42.4 | 46.8  | 4.77 | 42.5 | 43.6  | 4.33 | 42.7 |       |  |  |  |  |  |  |
| 90              | 10                     | 50                         | 27.1   | 3.97 | 6.69  | 27.2 | 3.94 | 6.66  | 27.3 | 3.96 | 6.65  | 27.3 | 3.98 | 6.65  | 27.3 | 4.01 | 6.66  | 27.3 | 4.10 | 6.68  |  |  |  |  |  |  |
|                 |                        | 60                         | 31.3   | 4.74 | 6.83  | 31.3 | 4.80 | 6.84  | 31.2 | 4.90 | 6.86  | 31.1 | 4.96 | 6.87  | 31.1 | 5.03 | 6.89  | 30.9 | 5.20 | 6.93  |  |  |  |  |  |  |
|                 |                        | 96                         | 40.1   | 7.12 | 7.54  | 39.9 | 7.34 | 7.57  | 39.6 | 7.57 | 7.61  | 39.4 | 7.70 | 7.63  | 39.3 | 7.84 | 7.65  | 38.9 | 8.14 | 7.71  |  |  |  |  |  |  |
|                 |                        | 120                        | 41.9   | 7.59 | 7.95  | 41.7 | 7.82 | 7.98  | 41.3 | 8.08 | 8.01  | 41.1 | 8.22 | 8.03  | 40.9 | 8.37 | 8.05  | 39.2 | 8.01 | 8.14  |  |  |  |  |  |  |
|                 | 15                     | 50                         | 41.8   | 7.50 | 10.08 | 41.6 | 7.73 | 10.15 | 41.2 | 7.98 | 10.23 | 41.1 | 8.12 | 10.28 | 40.9 | 8.27 | 10.3  | 39.2 | 7.96 | 10.5  |  |  |  |  |  |  |
|                 |                        | 60                         | 42.9   | 7.61 | 10.8  | 42.6 | 7.85 | 10.9  | 42.2 | 8.11 | 10.9  | 42.0 | 8.25 | 11.0  | 41.8 | 8.39 | 11.0  | 39.2 | 7.64 | 11.2  |  |  |  |  |  |  |
|                 |                        | 96                         | 45.5   | 7.91 | 12.2  | 45.2 | 8.15 | 12.2  | 44.8 | 8.42 | 12.3  | 43.6 | 8.10 | 12.4  | 42.1 | 7.69 | 12.4  | 39.2 | 6.90 | 12.6  |  |  |  |  |  |  |
|                 |                        | 120                        | 46.5   | 8.02 | 12.7  | 46.1 | 8.27 | 12.7  | 45.0 | 8.23 | 12.8  | 43.6 | 7.82 | 12.9  | 42.1 | 7.43 | 12.9  | 39.2 | 6.67 | 13.1  |  |  |  |  |  |  |
|                 | 20                     | 50                         | 49.0   | 8.29 | 14.2  | 47.9 | 8.25 | 14.3  | 45.0 | 7.50 | 14.6  | 43.6 | 7.13 | 14.8  | 42.1 | 6.78 | 14.9  | 39.2 | 6.10 | 15.3  |  |  |  |  |  |  |
|                 |                        | 60                         | 49.3   | 8.33 | 15.1  | 47.9 | 8.16 | 15.3  | 45.0 | 7.41 | 15.5  | 43.6 | 7.05 | 15.6  | 42.1 | 6.71 | 15.8  | 39.2 | 6.03 | 16.0  |  |  |  |  |  |  |
|                 |                        | 96                         | 50.1   | 8.41 | 16.9  | 47.9 | 7.93 | 17.0  | 45.0 | 7.21 | 17.2  | 43.6 | 6.86 | 17.3  | 42.1 | 6.52 | 17.3  | 39.2 | 5.88 | 17.5  |  |  |  |  |  |  |
|                 |                        | 120                        | 50.4   | 8.44 | 17.5  | 47.9 | 7.86 | 17.6  | 45.0 | 7.14 | 17.7  | 43.6 | 6.80 | 17.8  | 42.1 | 6.47 | 17.9  | 39.2 | 5.82 | 18.0  |  |  |  |  |  |  |
| 25              | 50                     | 50.8                       | 7.73   | 18.8 | 47.9  | 7.07 | 19.1 | 45.0  | 6.44 | 19.5 | 43.6  | 6.13 | 19.6 | 42.1  | 5.84 | 19.8 | 39.2  | 5.27 | 20.1 |       |  |  |  |  |  |  |
|                 | 60                     | 50.8                       | 7.64   | 19.8 | 47.9  | 6.99 | 20.1 | 45.0  | 6.37 | 20.4 | 43.6  | 6.07 | 20.5 | 42.1  | 5.78 | 20.7 | 39.2  | 5.22 | 20.9 |       |  |  |  |  |  |  |
|                 | 96                     | 50.8                       | 7.43   | 21.8 | 47.9  | 6.80 | 21.9 | 45.0  | 6.20 | 22.1 | 43.6  | 5.91 | 22.2 | 42.1  | 5.63 | 22.3 | 39.2  | 5.09 | 22.5 |       |  |  |  |  |  |  |
|                 | 120                    | 50.8                       | 7.36   | 22.4 | 47.9  | 6.74 | 22.5 | 45.0  | 6.14 | 22.7 | 43.6  | 5.86 | 22.7 | 42.1  | 5.58 | 22.8 | 39.2  | 5.04 | 23.0 |       |  |  |  |  |  |  |
| 30              | 50                     | 50.8                       | 6.70   | 23.7 | 47.9  | 6.15 | 24.0 | 45.0  | 5.62 | 24.4 | 43.6  | 5.36 | 24.5 | 42.1  | 5.11 | 24.7 | 39.2  | 4.63 | 25.0 |       |  |  |  |  |  |  |
|                 | 60                     | 50.8                       | 6.63   | 24.7 | 47.9  | 6.08 | 25.0 | 45.0  | 5.56 | 25.3 | 43.6  | 5.30 | 25.4 | 42.1  | 5.06 | 25.6 | 39.2  | 4.58 | 25.9 |       |  |  |  |  |  |  |
|                 | 96                     | 50.8                       | 6.45   | 26.7 | 47.9  | 5.92 | 26.9 | 45.0  | 5.41 | 27.0 | 43.6  | 5.17 | 27.1 | 42.1  | 4.89 | 27.2 | 39.2  | 4.47 | 27.4 |       |  |  |  |  |  |  |
|                 | 120                    | 50.8                       | 6.40   | 27.4 | 47.9  | 5.87 | 27.5 | 45.0  | 5.37 | 27.6 | 43.6  | 5.13 | 27.7 | 42.1  | 4.89 | 27.8 | 39.2  | 4.44 | 27.9 |       |  |  |  |  |  |  |
| 35              | 50                     | 50.8                       | 5.90   | 28.6 | 47.9  | 5.42 | 28.9 | 45.0  | 4.97 | 29.3 | 43.6  | 4.75 | 29.4 | 42.1  | 4.53 | 29.6 | 39.2  | 4.12 | 30.0 |       |  |  |  |  |  |  |
|                 | 60                     | 50.8                       | 5.84   | 29.6 | 47.9  | 5.37 | 29.9 | 45.0  | 4.92 | 30.2 | 43.6  | 4.70 | 30.4 | 42.1  | 4.49 | 30.5 | 39.2  | 4.08 | 30.8 |       |  |  |  |  |  |  |
|                 | 96                     | 50.8                       | 5.68   | 31.6 | 47.9  | 5.23 | 31.8 | 45.0  | 4.79 | 32.0 | 43.6  | 4.58 | 32.1 | 42.1  | 4.38 | 32.2 | 39.2  | 3.99 | 32.4 |       |  |  |  |  |  |  |
|                 | 120                    | 50.8                       | 5.64   | 32.3 | 47.9  | 5.19 | 32.5 | 45.0  | 4.75 | 32.6 | 43.6  | 4.55 | 32.7 | 42.1  | 4.34 | 32.7 | 39.2  | 3.96 | 32.9 |       |  |  |  |  |  |  |
| 40              | 50                     | 50.8                       | 5.72   | 33.5 | 47.9  | 5.27 | 33.9 | 45.0  | 4.84 | 34.2 | 43.6  | 4.63 | 34.4 | 42.1  | 4.42 | 34.6 | 39.2  | 4.02 | 35.0 |       |  |  |  |  |  |  |
|                 | 60                     | 50.8                       | 5.67   | 34.6 | 47.9  | 5.22 | 34.9 | 45.0  | 4.79 | 35.2 | 43.6  | 4.58 | 35.3 | 42.1  | 4.38 | 35.5 | 39.2  | 3.98 | 35.8 |       |  |  |  |  |  |  |
|                 | 96                     | 50.8                       | 5.52   | 36.6 | 47.9  | 5.09 | 36.8 | 45.0  | 4.67 | 37.0 | 43.6  | 4.47 | 37.1 | 42.1  | 4.27 | 37.2 | 39.2  | 3.89 | 37.4 |       |  |  |  |  |  |  |
|                 | 120                    | 50.8                       | 5.48   | 37.3 | 47.9  | 5.05 | 37.4 | 45.0  | 4.64 | 37.6 | 43.6  | 4.43 | 37.7 | 42.1  | 4.24 | 37.7 | 39.2  | 3.86 | 37.9 |       |  |  |  |  |  |  |
| 45              | 50                     | 50.8                       | 5.57   | 38.5 | 47.9  | 5.14 | 38.9 | 45.0  | 4.72 | 39.2 | 43.6  | 4.51 | 39.4 | 42.1  | 4.31 | 39.6 | 39.2  | 3.92 | 39.9 |       |  |  |  |  |  |  |
|                 | 60                     | 50.8                       | 5.52   | 39.6 | 47.9  | 5.09 | 39.9 | 45.0  | 4.67 | 40.2 | 43.6  | 4.47 | 40.3 | 42.1  | 4.27 | 40.5 | 39.2  | 3.88 | 40.8 |       |  |  |  |  |  |  |
|                 | 96                     | 50.8                       | 5.38   | 41.6 | 47.9  | 4.96 | 41.8 | 45.0  | 4.56 | 42.0 | 43.6  | 4.36 | 42.1 | 42.1  | 4.16 | 42.2 | 39.2  | 3.79 | 42.4 |       |  |  |  |  |  |  |
|                 | 120                    | 50.8                       | 5.34   | 42.3 | 47.9  | 4.93 | 42.4 | 45.0  | 4.52 | 42.6 | 43.6  | 4.32 | 42.7 | 42.1  | 4.13 | 42.7 | 39.2  | 3.76 | 42.9 |       |  |  |  |  |  |  |
| 80              | 10                     | 50                         | 27.3   | 3.96 | 6.65  | 27.3 | 4.00 | 6.66  | 27.3 | 4.08 | 6.67  | 27.2 | 4.12 | 6.69  | 27.2 | 4.18 | 6.70  | 27.0 | 4.32 | 6.74  |  |  |  |  |  |  |
|                 |                        | 60                         | 31.2   | 4.89 | 6.86  | 31.1 | 5.01 | 6.88  | 30.9 | 5.15 | 6.92  | 30   |      |       |      |      |       |      |      |       |  |  |  |  |  |  |

# 4 Capacity tables

## 4 - 3 Heating capacity tables

| RWEYQ16PY1      |                        |                            | TC: Total Capacity: kW ; PI: Power Input: kW (compressor + outdoor fan motor) ; OWT: Outlet Water Temperatur: °C |      |       |      |      |       |      |      |       |      |      |      |      |      |      |      |      |      |
|-----------------|------------------------|----------------------------|--|------|-------|------|------|-------|------|------|-------|------|------|------|------|------|------|------|------|------|
| Combination (%) | Inlet Water Temp. (°C) | Water Volume (note2) L/min | Indoor air temperature: °CWB   |      |       |      |      |       |      |      |       |      |      |      |      |      |      |      |      |      |
|                 |                        |                            | 16.0   |      |       | 18.0 |      |       | 20.0 |      |       | 21.0 |      |      | 22.0 |      |      | 24.0 |      |      |
|                 |                        |                            | TC   | PI   | OWT   | TC   | PI   | OWT   | TC   | PI   | OWT   | TC   | PI   | OWT  | TC   | PI   | OWT  | TC   | PI   | OWT  |
| 70              | 10                     | 50                         | 27.3   | 4.09 | 6.68  | 27.2 | 4.19 | 6.71  | 27.0 | 4.31 | 6.74  | 27.0 | 4.38 | 6.76 | 26.9 | 4.45 | 6.79 | 26.6 | 4.61 | 6.84 |
|                 |                        | 60                         | 30.9   | 5.18 | 6.93  | 30.7 | 5.33 | 6.97  | 30.5 | 5.51 | 7.01  | 30.4 | 5.60 | 7.04 | 30.3 | 5.70 | 7.07 | 30.0 | 5.92 | 7.13 |
|                 |                        | 96                         | 38.9   | 8.11 | 7.70  | 37.3 | 7.67 | 7.79  | 35.0 | 6.97 | 7.91  | 33.9 | 6.64 | 7.97 | 32.8 | 6.31 | 8.03 | 30.5 | 5.68 | 8.15 |
|                 |                        | 120                        | 39.5   | 8.10 | 8.13  | 37.3 | 7.40 | 8.22  | 35.0 | 6.74 | 8.31  | 33.9 | 6.42 | 8.36 | 32.8 | 6.11 | 8.41 | 30.5 | 5.51 | 8.51 |
|                 | 15                     | 50                         | 39.5   | 8.05 | 10.49 | 37.3 | 7.35 | 10.71 | 35.0 | 6.69 | 10.94 | 33.9 | 6.37 | 11.1 | 32.8 | 6.06 | 11.2 | 30.5 | 5.47 | 11.4 |
|                 |                        | 60                         | 39.5   | 7.72 | 11.2  | 37.3 | 7.06 | 11.4  | 35.0 | 6.43 | 11.6  | 33.9 | 6.13 | 11.7 | 32.8 | 5.83 | 11.8 | 30.5 | 5.27 | 12.0 |
|                 |                        | 96                         | 39.5   | 6.98 | 12.6  | 37.3 | 6.39 | 12.7  | 35.0 | 5.83 | 12.8  | 33.9 | 5.56 | 12.9 | 32.8 | 5.30 | 13.0 | 30.5 | 4.80 | 13.1 |
|                 |                        | 120                        | 39.5   | 6.74 | 13.0  | 37.3 | 6.18 | 13.1  | 35.0 | 5.64 | 13.2  | 33.9 | 5.38 | 13.3 | 32.8 | 5.13 | 13.4 | 30.5 | 4.65 | 13.5 |
|                 | 20                     | 50                         | 39.5   | 6.16 | 15.2  | 37.3 | 5.66 | 15.5  | 35.0 | 5.18 | 15.7  | 33.9 | 4.95 | 15.9 | 32.8 | 4.72 | 16.0 | 30.5 | 4.28 | 16.2 |
|                 |                        | 60                         | 39.5   | 6.10 | 16.0  | 37.3 | 5.60 | 16.2  | 35.0 | 5.12 | 16.4  | 33.9 | 4.90 | 16.5 | 32.8 | 4.67 | 16.6 | 30.5 | 4.24 | 16.9 |
|                 |                        | 96                         | 39.5   | 5.94 | 17.5  | 37.3 | 5.45 | 17.6  | 35.0 | 4.99 | 17.8  | 33.9 | 4.77 | 17.8 | 32.8 | 4.56 | 17.9 | 30.5 | 4.14 | 18.0 |
|                 |                        | 120                        | 39.5   | 5.89 | 18.0  | 37.3 | 5.41 | 18.1  | 35.0 | 4.95 | 18.2  | 33.9 | 4.73 | 18.3 | 32.8 | 4.52 | 18.3 | 30.5 | 4.11 | 18.4 |
| 25              | 50                     | 39.5                       | 5.33   | 20.1 | 37.3  | 4.90 | 20.4 | 35.0  | 4.50 | 20.6 | 33.9  | 4.31 | 20.8 | 32.8 | 4.12 | 20.9 | 30.5 | 3.75 | 21.2 |      |
|                 | 60                     | 39.5                       | 5.27   | 20.9 | 37.3  | 4.86 | 21.1 | 35.0  | 4.46 | 21.4 | 33.9  | 4.27 | 21.5 | 32.8 | 4.08 | 21.6 | 30.5 | 3.72 | 21.8 |      |
|                 | 96                     | 39.5                       | 5.14   | 22.4 | 37.3  | 4.73 | 22.6 | 35.0  | 4.35 | 22.7 | 33.9  | 4.16 | 22.8 | 32.8 | 3.98 | 22.9 | 30.5 | 3.63 | 23.0 |      |
|                 | 120                    | 39.5                       | 5.09   | 22.9 | 37.3  | 4.70 | 23.1 | 35.0  | 4.32 | 23.2 | 33.9  | 4.13 | 23.2 | 32.8 | 3.95 | 23.3 | 30.5 | 3.61 | 23.4 |      |
| 30              | 50                     | 39.5                       | 4.68   | 25.0 | 37.3  | 4.32 | 25.3 | 35.0  | 3.98 | 25.6 | 33.9  | 3.81 | 25.7 | 32.8 | 3.65 | 25.8 | 30.5 | 3.34 | 26.1 |      |
|                 | 60                     | 39.5                       | 4.63   | 25.8 | 37.3  | 4.28 | 26.1 | 35.0  | 3.94 | 26.3 | 33.9  | 3.78 | 26.4 | 32.8 | 3.62 | 26.5 | 30.5 | 3.31 | 26.8 |      |
|                 | 96                     | 39.5                       | 4.52   | 27.4 | 37.3  | 4.17 | 27.5 | 35.0  | 3.85 | 27.7 | 33.9  | 3.69 | 27.7 | 32.8 | 3.54 | 27.8 | 30.5 | 3.24 | 28.0 |      |
|                 | 120                    | 39.5                       | 4.48   | 27.9 | 37.3  | 4.14 | 28.0 | 35.0  | 3.82 | 28.1 | 33.9  | 3.66 | 28.2 | 32.8 | 3.51 | 28.3 | 30.5 | 3.22 | 28.4 |      |
| 35              | 50                     | 39.5                       | 4.16   | 29.9 | 37.3  | 3.85 | 30.2 | 35.0  | 3.56 | 30.5 | 33.9  | 3.42 | 30.6 | 32.8 | 3.28 | 30.8 | 30.5 | 3.01 | 31.1 |      |
|                 | 60                     | 39.5                       | 4.12   | 30.8 | 37.3  | 3.82 | 31.0 | 35.0  | 3.53 | 31.2 | 33.9  | 3.39 | 31.4 | 32.8 | 3.25 | 31.5 | 30.5 | 2.99 | 31.7 |      |
|                 | 96                     | 39.5                       | 4.02   | 32.4 | 37.3  | 3.73 | 32.5 | 35.0  | 3.45 | 32.6 | 33.9  | 3.31 | 32.7 | 32.8 | 3.18 | 32.8 | 30.5 | 2.93 | 32.9 |      |
|                 | 120                    | 39.5                       | 3.99   | 32.9 | 37.3  | 3.70 | 33.0 | 35.0  | 3.42 | 33.1 | 33.9  | 3.29 | 33.2 | 32.8 | 3.16 | 33.2 | 30.5 | 2.91 | 33.4 |      |
| 40              | 50                     | 39.5                       | 4.06   | 34.9 | 37.3  | 3.76 | 35.2 | 35.0  | 3.47 | 35.5 | 33.9  | 3.33 | 35.6 | 32.8 | 3.20 | 35.8 | 30.5 | 2.94 | 36.1 |      |
|                 | 60                     | 39.5                       | 4.02   | 35.8 | 37.3  | 3.72 | 36.0 | 35.0  | 3.44 | 36.2 | 33.9  | 3.30 | 36.3 | 32.8 | 3.17 | 36.5 | 30.5 | 2.91 | 36.7 |      |
|                 | 96                     | 39.5                       | 3.92   | 37.3 | 37.3  | 3.64 | 37.5 | 35.0  | 3.36 | 37.6 | 33.9  | 3.23 | 37.7 | 32.8 | 3.10 | 37.8 | 30.5 | 2.85 | 37.9 |      |
|                 | 120                    | 39.5                       | 3.89   | 37.9 | 37.3  | 3.61 | 38.0 | 35.0  | 3.34 | 38.1 | 33.9  | 3.21 | 38.2 | 32.8 | 3.08 | 38.2 | 30.5 | 2.83 | 38.3 |      |
| 45              | 50                     | 39.5                       | 3.96   | 39.9 | 37.3  | 3.66 | 40.2 | 35.0  | 3.38 | 40.5 | 33.9  | 3.25 | 40.6 | 32.8 | 3.12 | 40.8 | 30.5 | 2.86 | 41.0 |      |
|                 | 60                     | 39.5                       | 3.92   | 40.8 | 37.3  | 3.63 | 41.0 | 35.0  | 3.35 | 41.2 | 33.9  | 3.22 | 41.3 | 32.8 | 3.09 | 41.5 | 30.5 | 2.84 | 41.7 |      |
|                 | 96                     | 39.5                       | 3.82   | 42.3 | 37.3  | 3.55 | 42.5 | 35.0  | 3.28 | 42.6 | 33.9  | 3.15 | 42.7 | 32.8 | 3.02 | 42.8 | 30.5 | 2.78 | 42.9 |      |
|                 | 120                    | 39.5                       | 3.80   | 42.9 | 37.3  | 3.52 | 43.0 | 35.0  | 3.26 | 43.1 | 33.9  | 3.13 | 43.2 | 32.8 | 3.00 | 43.2 | 30.5 | 2.76 | 43.3 |      |
| 60              | 10                     | 50                         | 27.0   | 4.38 | 6.76  | 26.8 | 4.51 | 6.81  | 26.6 | 4.65 | 6.86  | 26.5 | 4.73 | 6.88 | 26.4 | 4.82 | 6.91 | 26.1 | 5.00 | 6.98 |
|                 |                        | 60                         | 30.4   | 5.60 | 7.04  | 30.1 | 5.78 | 7.09  | 29.9 | 5.97 | 7.14  | 29.0 | 5.72 | 7.22 | 28.1 | 5.43 | 7.30 | 26.1 | 4.88 | 7.46 |
|                 |                        | 96                         | 33.9   | 6.63 | 7.97  | 31.9 | 6.08 | 8.07  | 30.0 | 5.55 | 8.17  | 29.0 | 5.29 | 8.23 | 28.1 | 5.04 | 8.28 | 26.1 | 4.57 | 8.39 |
|                 |                        | 120                        | 33.9   | 6.41 | 8.36  | 31.9 | 5.88 | 8.44  | 30.0 | 5.38 | 8.53  | 29.0 | 5.14 | 8.57 | 28.1 | 4.90 | 8.62 | 26.1 | 4.44 | 8.70 |
|                 | 15                     | 50                         | 33.9   | 6.37 | 11.1  | 31.9 | 5.84 | 11.3  | 30.0 | 5.34 | 11.5  | 29.0 | 5.10 | 11.6 | 28.1 | 4.86 | 11.7 | 26.1 | 4.41 | 11.9 |
|                 |                        | 60                         | 33.9   | 6.12 | 11.7  | 31.9 | 5.62 | 11.9  | 30.0 | 5.14 | 12.0  | 29.0 | 4.91 | 12.1 | 28.1 | 4.69 | 12.2 | 26.1 | 4.26 | 12.4 |
|                 |                        | 96                         | 33.9   | 5.56 | 12.9  | 31.9 | 5.11 | 13.0  | 30.0 | 4.69 | 13.1  | 29.0 | 4.48 | 13.2 | 28.1 | 4.28 | 13.2 | 26.1 | 3.90 | 13.3 |
|                 |                        | 120                        | 33.9   | 5.38 | 13.3  | 31.9 | 4.95 | 13.4  | 30.0 | 4.55 | 13.5  | 29.0 | 4.35 | 13.5 | 28.1 | 4.16 | 13.6 | 26.1 | 3.79 | 13.7 |
|                 | 20                     | 50                         | 33.9   | 4.94 | 15.9  | 31.9 | 4.56 | 16.1  | 30.0 | 4.19 | 16.3  | 29.0 | 4.01 | 16.4 | 28.1 | 3.84 | 16.5 | 26.1 | 3.51 | 16.8 |
|                 |                        | 60                         | 33.9   | 4.89 | 16.5  | 31.9 | 4.51 | 16.7  | 30.0 | 4.15 | 16.9  | 29.0 | 3.98 | 17.0 | 28.1 | 3.81 | 17.1 | 26.1 | 3.48 | 17.3 |
|                 |                        | 96                         | 33.9   | 4.77 | 17.8  | 31.9 | 4.40 | 17.9  | 30.0 | 4.05 | 18.1  | 29.0 | 3.88 | 18.1 | 28.1 | 3.72 | 18.2 | 26.1 | 3.40 | 18.3 |
|                 |                        | 120                        | 33.9   | 4.73 | 18.3  | 31.9 | 4.37 | 18.4  | 30.0 | 4.02 | 18.4  | 29.0 | 3.85 | 18.5 | 28.1 | 3.69 | 18.5 | 26.1 | 3.37 | 18.6 |
| 25              | 50                     | 33.9                       | 4.30   | 20.8 | 31.9  | 3.98 | 21.0 | 30.0  | 3.68 | 21.2 | 29.0  | 3.53 | 21.3 | 28.1 | 3.38 | 21.5 | 26.1 | 3.10 | 21.7 |      |
|                 | 60                     | 33.9                       | 4.26   | 21.5 | 31.9  | 3.95 | 21.7 | 30.0  | 3.64 | 21.9 | 29.0  | 3.50 | 22.0 | 28.1 | 3.35 | 22.0 | 26.1 | 3.08 | 22.2 |      |
|                 | 96                     | 33.9                       | 4.16   | 22.8 | 31.9  | 3.85 | 22.9 | 30.0  | 3.56 | 23.0 | 29.0  | 3.42 | 23.1 | 28.1 | 3.28 | 23.2 | 26.1 | 3.01 | 23.3 |      |
|                 | 120                    | 33.9                       | 4.13   | 23.2 | 31.9  | 3.82 | 23.3 | 30.0  | 3.53 | 23.4 | 29.0  | 3.39 | 23.5 | 28.1 | 3.25 | 23.5 | 26.1 | 2.99 | 23.6 |      |
| 30              | 50                     | 33.9                       | 3.81   | 25.7 | 31.9  | 3.54 | 25.9 | 30.0  | 3.27 | 26.2 | 29.0  | 3.15 | 26.3 | 28.1 | 3.02 | 26.4 | 26.1 | 2.79 | 26.7 |      |
|                 | 60                     | 33.9                       | 3.77   | 26.4 | 31.9  | 3.50 | 26.6 | 30.0  | 3.25 | 26.8 | 29.0  | 3.12 | 26.9 | 28.1 | 3.00 | 27.0 | 26.1 | 2.76 | 27.2 |      |
|                 | 96                     | 33.9                       | 3.69   | 27.7 | 31.9  | 3.43 | 27.9 | 30.0  | 3.18 | 28.0 | 29.0  | 3.05 | 28.1 | 28.1 | 2.94 | 28.1 | 26.1 | 2.71 | 28.3 |      |
|                 | 120                    | 33.9                       | 3.66   | 28.2 | 31.9  | 3.40 | 28.3 | 30.0  | 3.15 | 28.4 | 29.0  | 3.03 | 28.4 | 28.1 | 2.92 | 28.5 | 26.1 | 2.69 | 28.6 |      |
| 35              | 50                     | 33.9                       | 3.42   | 30.6 | 31.9  | 3.18 | 30.9 | 30.0  | 2.96 | 31.1 | 29.0  | 2.85 | 31.2 | 28.1 | 2.74 | 31.4 | 26.1 | 2.53 | 31.6 |      |
|                 | 60                     | 33.9                       | 3.39   | 31.4 | 31.9  | 3.15 | 31.6 | 30.0  | 2.93 | 31.8 | 29.0  | 2.82 | 31.9 | 28.1 | 2.72 | 32.0 | 26.1 | 2.51 | 32.2 |      |
|                 | 96                     | 33.9                       | 3.31   | 32.7 | 31.9  | 3.09 | 32.8 | 30.0  | 2.87 | 33.0 | 29.0  | 2.77 | 33.0 | 28.1 | 2.66 | 33.1 | 26.1 | 2.47 | 33.2 |      |
|                 | 120                    | 33.9                       | 3.29   | 33.2 | 31.9  | 3.06 | 33.3 | 30.0  | 2.85 | 33.4 | 29.0  | 2.75 | 33.4 | 28.1 | 2.65 | 33.5 | 26.1 | 2.45 | 33.6 |      |
| 40              | 50                     | 33.9                       | 3.33   | 35.6 | 31.9  | 3.10 | 35.9 | 30.0  | 2.88 | 36.1 | 29.0  | 2.78 | 36.2 | 28.1 | 2.67 | 36.4 | 26.1 | 2.47 | 36.6 |      |
|                 | 60                     | 33.9                       | 3.30   | 36.4 | 31.9  | 3.08 | 36.6 | 30.0  | 2.86 | 36.8 | 29.0  | 2.75 | 36.9 | 28.1 | 2.65 | 37.0 | 26.1 | 2.45 | 37.2 |      |
|                 | 96                     | 33.9                       | 3.23   | 37.7 | 31.9  | 3.01 | 37.8 | 30.0  | 2.80 | 38.0 | 29.0  | 2.70 | 38.0 | 28.1 | 2.60 | 38.1 | 26.1 | 2.40 | 38.2 |      |
|                 | 120                    | 33.9                       | 3.21   | 38.2 | 31.9  | 2.99 | 38.3 | 30.0  | 2.78 | 38.4 | 29.0  | 2.68 | 38   |      |      |      |      |      |      |      |

# 4 Capacity tables

## 4 - 3 Heating capacity tables

| RWEYQ18PY1      |                        |                            | TC: Total Capacity: kW ; PI: Power Input: kW (compressor + outdoor fan motor) ; OWT: Outlet Water Temperatur: °C |       |       |      |       |       |      |      |       |      |      |       |      |      |       |       |      |      |
|-----------------|------------------------|----------------------------|--|-------|-------|------|-------|-------|------|------|-------|------|------|-------|------|------|-------|-------|------|------|
| Combination (%) | Inlet Water Temp. (°C) | Water Volume (note2) L/min | Indoor air temperature: °CWB   |       |       |      |       |       |      |      |       |      |      |       |      |      |       |       |      |      |
|                 |                        |                            | 16.0   |       |       | 18.0 |       |       | 20.0 |      |       | 21.0 |      |       | 22.0 |      |       | 24.0  |      |      |
|                 |                        |                            | TC   | PI    | OWT   | TC   | PI    | OWT   | TC   | PI   | OWT   | TC   | PI   | OWT   | TC   | PI   | OWT   | TC    | PI   | OWT  |
| 130             | 10                     | 50                         | 26.5   | 6.64  | 7.15  | 27.6 | 6.08  | 6.91  | 28.6 | 5.63 | 6.71  | 29.0 | 5.44 | 6.62  | 29.4 | 5.27 | 6.54  | 30.0  | 5.01 | 6.42 |
|                 |                        | 60                         | 32.9   | 6.62  | 6.86  | 33.7 | 6.27  | 6.72  | 34.3 | 6.00 | 6.62  | 34.6 | 5.90 | 6.57  | 34.8 | 5.82 | 6.54  | 35.1  | 5.73 | 6.49 |
|                 |                        | 96                         | 45.7   | 7.83  | 7.18  | 45.9 | 7.83  | 7.16  | 45.9 | 7.89 | 7.16  | 45.9 | 7.95 | 7.16  | 45.9 | 8.03 | 7.17  | 45.8  | 8.23 | 7.20 |
|                 | 15                     | 50                         | 48.0   | 8.05  | 9.27  | 48.1 | 8.10  | 9.27  | 48.1 | 8.21 | 9.28  | 48.1 | 8.29 | 9.30  | 48.0 | 8.39 | 9.32  | 47.8  | 8.64 | 9.39 |
|                 |                        | 60                         | 49.4   | 8.07  | 10.07 | 49.4 | 8.15  | 10.07 | 49.4 | 8.28 | 10.09 | 49.3 | 8.38 | 10.11 | 49.2 | 8.49 | 10.13 | 49.0  | 8.75 | 10.2 |
|                 |                        | 96                         | 52.9   | 8.19  | 11.7  | 52.9 | 8.32  | 11.7  | 52.7 | 8.52 | 11.7  | 52.6 | 8.64 | 11.7  | 52.5 | 8.77 | 11.7  | 52.1  | 9.07 | 11.8 |
|                 | 20                     | 50                         | 57.5   | 8.43  | 13.0  | 57.3 | 8.62  | 13.0  | 57.0 | 8.87 | 13.1  | 56.8 | 9.01 | 13.1  | 56.6 | 9.16 | 13.2  | 56.2  | 9.50 | 13.3 |
|                 |                        | 60                         | 57.9   | 8.45  | 14.1  | 57.7 | 8.65  | 14.1  | 57.4 | 8.90 | 14.2  | 57.2 | 9.05 | 14.2  | 57.0 | 9.20 | 14.3  | 56.5  | 9.54 | 14.4 |
|                 |                        | 96                         | 58.9   | 8.52  | 16.2  | 58.7 | 8.73  | 16.3  | 58.4 | 8.99 | 16.3  | 58.2 | 9.14 | 16.3  | 58.0 | 9.29 | 16.4  | 57.5  | 9.64 | 16.4 |
|                 | 25                     | 50                         | 63.4   | 8.84  | 17.2  | 63.0 | 9.09  | 17.3  | 62.6 | 9.38 | 17.4  | 62.3 | 9.54 | 17.4  | 62.1 | 9.71 | 17.5  | 61.5  | 10.1 | 17.6 |
|                 |                        | 60                         | 63.8   | 8.87  | 18.4  | 63.4 | 9.13  | 18.5  | 63.0 | 9.42 | 18.6  | 62.7 | 9.58 | 18.7  | 62.5 | 9.75 | 18.7  | 61.9  | 10.1 | 18.8 |
|                 |                        | 96                         | 64.9   | 8.95  | 20.8  | 64.5 | 9.22  | 20.9  | 64.0 | 9.52 | 20.9  | 63.8 | 9.68 | 21.0  | 63.5 | 9.85 | 21.0  | 62.9  | 10.2 | 21.1 |
| 30              | 50                     | 69.1                       | 9.31   | 21.4  | 68.7  | 9.60 | 21.5  | 68.1  | 9.91 | 21.7 | 67.8  | 10.1 | 21.7 | 67.5  | 10.3 | 21.8 | 64.0  | 9.60  | 22.2 |      |
|                 | 60                     | 69.6                       | 9.35   | 22.8  | 69.1  | 9.63 | 22.9  | 68.5  | 9.95 | 23.0 | 68.2  | 10.1 | 23.1 | 67.9  | 10.3 | 23.1 | 64.0  | 9.50  | 23.5 |      |
|                 | 96                     | 70.7                       | 9.44   | 25.4  | 70.2  | 9.74 | 25.5  | 69.7  | 10.1 | 25.6 | 69.3  | 10.2 | 25.6 | 68.7  | 10.3 | 25.6 | 64.0  | 9.23  | 25.9 |      |
| 35              | 50                     | 74.9                       | 9.81   | 25.7  | 74.3  | 10.1 | 25.8  | 73.5  | 10.4 | 26.0 | 71.1  | 9.87 | 26.2 | 68.7  | 9.37 | 26.5 | 64.0  | 8.41  | 27.0 |      |
|                 | 60                     | 75.3                       | 9.85   | 27.2  | 74.8  | 10.2 | 27.3  | 73.5  | 10.3 | 27.5 | 71.1  | 9.76 | 27.7 | 68.7  | 9.27 | 27.9 | 64.0  | 8.32  | 28.3 |      |
|                 | 96                     | 76.6                       | 9.95   | 30.0  | 76.0  | 10.3 | 30.1  | 73.5  | 9.98 | 30.3 | 71.1  | 9.49 | 30.4 | 68.7  | 9.01 | 30.5 | 64.0  | 8.09  | 30.8 |      |
| 40              | 50                     | 80.6                       | 10.3   | 29.9  | 78.2  | 10.1 | 30.2  | 73.5  | 9.98 | 30.9 | 71.1  | 9.50 | 31.2 | 68.7  | 9.03 | 31.4 | 64.0  | 8.13  | 32.0 |      |
|                 | 60                     | 81.1                       | 10.4   | 31.6  | 78.2  | 9.97 | 31.9  | 73.5  | 9.87 | 32.4 | 71.1  | 9.40 | 32.6 | 68.7  | 8.93 | 32.9 | 64.0  | 8.04  | 33.3 |      |
|                 | 96                     | 82.4                       | 10.5   | 34.6  | 78.2  | 9.69 | 34.9  | 73.5  | 9.60 | 35.2 | 71.1  | 9.14 | 35.4 | 68.7  | 8.69 | 35.5 | 64.0  | 7.83  | 35.8 |      |
| 45              | 50                     | 82.9                       | 10.2   | 34.6  | 78.2  | 9.83 | 35.2  | 73.5  | 9.63 | 35.9 | 71.1  | 9.17 | 36.1 | 68.7  | 8.73 | 36.4 | 64.0  | 7.88  | 37.0 |      |
|                 | 60                     | 82.9                       | 10.1   | 36.3  | 78.2  | 9.72 | 36.8  | 73.5  | 9.53 | 37.4 | 71.1  | 9.08 | 37.6 | 68.7  | 8.64 | 37.8 | 64.0  | 7.80  | 38.3 |      |
|                 | 96                     | 82.9                       | 9.85   | 39.5  | 78.2  | 9.45 | 39.9  | 73.5  | 9.27 | 40.2 | 71.1  | 8.84 | 40.4 | 68.7  | 8.41 | 40.5 | 64.0  | 7.60  | 40.8 |      |
| 120             | 10                     | 50                         | 28.0   | 5.91  | 6.83  | 28.8 | 5.52  | 6.66  | 29.5 | 5.21 | 6.52  | 29.8 | 5.09 | 6.46  | 30.1 | 4.99 | 6.41  | 30.5  | 4.85 | 6.33 |
|                 |                        | 60                         | 33.9   | 6.16  | 6.68  | 34.5 | 5.94  | 6.59  | 34.9 | 5.80 | 6.53  | 35.0 | 5.75 | 6.50  | 35.2 | 5.72 | 6.49  | 35.3  | 5.73 | 6.47 |
|                 |                        | 96                         | 45.9   | 7.84  | 7.16  | 45.9 | 7.92  | 7.16  | 45.9 | 8.06 | 7.18  | 45.8 | 8.15 | 7.19  | 45.7 | 8.26 | 7.20  | 45.5  | 8.53 | 7.24 |
|                 | 15                     | 50                         | 48.2   | 8.22  | 7.61  | 48.2 | 8.35  | 7.62  | 48.1 | 8.53 | 7.64  | 48.0 | 8.65 | 7.65  | 47.8 | 8.78 | 7.67  | 47.5  | 9.08 | 7.70 |
|                 |                        | 60                         | 48.1   | 8.13  | 9.27  | 48.1 | 8.25  | 9.29  | 48.0 | 8.43 | 9.34  | 47.9 | 8.55 | 9.37  | 47.7 | 8.67 | 9.40  | 47.4  | 8.97 | 9.49 |
|                 |                        | 96                         | 49.4   | 8.19  | 10.07 | 49.4 | 8.33  | 10.10 | 49.2 | 8.53 | 10.14 | 49.1 | 8.66 | 10.17 | 48.9 | 8.79 | 10.2  | 48.6  | 9.10 | 10.3 |
|                 | 20                     | 50                         | 52.8   | 8.39  | 11.7  | 52.7 | 8.58  | 11.7  | 52.4 | 8.82 | 11.7  | 52.2 | 8.96 | 11.8  | 52.1 | 9.11 | 11.8  | 51.6  | 9.45 | 11.9 |
|                 |                        | 60                         | 54.0   | 8.47  | 12.3  | 53.8 | 8.68  | 12.3  | 53.5 | 8.93 | 12.3  | 53.3 | 9.08 | 12.4  | 53.2 | 9.23 | 12.4  | 52.7  | 9.58 | 12.4 |
|                 |                        | 96                         | 57.2   | 8.71  | 13.0  | 56.9 | 8.95  | 13.1  | 56.6 | 9.23 | 13.2  | 56.3 | 9.38 | 13.3  | 56.1 | 9.55 | 13.3  | 55.6  | 9.91 | 13.5 |
|                 | 25                     | 50                         | 57.6   | 8.74  | 14.2  | 57.3 | 8.98  | 14.2  | 56.9 | 9.26 | 14.3  | 56.7 | 9.42 | 14.4  | 56.5 | 9.59 | 14.4  | 55.9  | 9.95 | 14.5 |
|                 |                        | 60                         | 58.6   | 8.82  | 16.3  | 58.3 | 9.07  | 16.3  | 57.9 | 9.36 | 16.4  | 57.7 | 9.52 | 16.4  | 57.4 | 9.69 | 16.4  | 56.9  | 10.1 | 16.5 |
|                 |                        | 96                         | 58.9   | 8.84  | 17.0  | 58.6 | 9.10  | 17.0  | 58.2 | 9.39 | 17.1  | 58.0 | 9.55 | 17.1  | 57.7 | 9.72 | 17.1  | 57.2  | 10.1 | 17.2 |
| 30              | 50                     | 62.9                       | 9.19   | 17.3  | 62.5  | 9.47 | 17.4  | 62.0  | 9.78 | 17.5 | 61.7  | 9.95 | 17.6 | 61.4  | 10.1 | 17.7 | 59.1  | 9.81  | 17.9 |      |
|                 | 60                     | 63.3                       | 9.22   | 18.5  | 62.9  | 9.51 | 18.6  | 62.4  | 9.82 | 18.7 | 62.1  | 9.99 | 18.8 | 61.8  | 10.2 | 18.8 | 59.1  | 9.70  | 19.1 |      |
|                 | 96                     | 64.3                       | 9.32   | 20.9  | 63.9  | 9.60 | 20.9  | 63.4  | 9.92 | 21.0 | 63.1  | 10.1 | 21.0 | 62.8  | 10.3 | 21.1 | 59.1  | 9.43  | 21.3 |      |
| 35              | 50                     | 64.7                       | 9.35   | 21.7  | 64.2  | 9.64 | 21.7  | 63.7  | 9.95 | 21.8 | 63.4  | 10.1 | 21.8 | 63.1  | 10.3 | 21.8 | 59.1  | 9.34  | 22.0 |      |
|                 | 60                     | 68.5                       | 9.70   | 21.6  | 67.9  | 10.0 | 21.7  | 67.4  | 10.3 | 21.8 | 65.6  | 9.98 | 22.0 | 63.4  | 9.47 | 22.3 | 59.1  | 8.50  | 22.8 |      |
|                 | 96                     | 68.9                       | 9.74   | 22.9  | 68.4  | 10.0 | 23.0  | 67.8  | 10.4 | 23.1 | 65.6  | 9.87 | 23.3 | 63.4  | 9.37 | 23.5 | 59.1  | 8.41  | 23.9 |      |
| 40              | 50                     | 70.0                       | 9.84   | 25.5  | 69.5  | 10.2 | 25.6  | 67.8  | 10.1 | 25.7 | 65.6  | 9.59 | 25.8 | 63.4  | 9.11 | 25.9 | 59.1  | 8.18  | 26.2 |      |
|                 | 60                     | 70.4                       | 9.88   | 26.4  | 69.8  | 10.2 | 26.4  | 67.8  | 10.0 | 26.5 | 65.6  | 9.51 | 26.6 | 63.4  | 9.03 | 26.8 | 59.1  | 8.11  | 27.0 |      |
|                 | 96                     | 74.1                       | 10.2   | 25.9  | 72.2  | 10.1 | 26.1  | 67.8  | 9.18 | 26.6 | 65.6  | 8.73 | 26.8 | 63.4  | 8.30 | 27.1 | 59.1  | 7.47  | 27.6 |      |
| 45              | 50                     | 74.5                       | 10.3   | 27.3  | 72.2  | 9.99 | 27.6  | 67.8  | 9.08 | 28.0 | 65.6  | 8.64 | 28.2 | 63.4  | 8.21 | 28.4 | 59.1  | 7.39  | 28.8 |      |
|                 | 60                     | 75.7                       | 10.4   | 30.1  | 72.2  | 9.71 | 30.3  | 67.8  | 8.83 | 30.6 | 65.6  | 8.40 | 30.7 | 63.4  | 7.99 | 30.9 | 59.1  | 7.19  | 31.1 |      |
|                 | 96                     | 76.1                       | 10.4   | 31.1  | 72.2  | 9.62 | 31.3  | 67.8  | 8.75 | 31.5 | 65.6  | 8.33 | 31.6 | 63.4  | 7.92 | 31.7 | 59.1  | 7.13  | 31.9 |      |
| 110             | 10                     | 50                         | 76.5   | 9.75  | 30.4  | 72.2 | 9.71  | 31.1  | 67.8 | 8.85 | 31.6  | 65.6 | 8.43 | 31.8  | 63.4 | 8.02 | 32.1  | 59.1  | 7.24 | 32.6 |
|                 |                        | 60                         | 76.5   | 9.64  | 32.0  | 72.2 | 9.61  | 32.5  | 67.8 | 8.75 | 32.9  | 65.6 | 8.34 | 33.2  | 63.4 | 7.94 | 33.4  | 59.1  | 7.16 | 33.8 |
|                 |                        | 96                         | 76.5   | 9.37  | 35.0  | 72.2 | 9.35  | 35.3  | 67.8 | 8.52 | 35.6  | 65.6 | 8.12 | 35.7  | 63.4 | 7.73 | 35.8  | 59.1  | 6.98 | 36.1 |
|                 | 15                     | 50                         | 76.5   | 9.29  | 36.0  | 72.2 | 9.26  | 36.2  | 67.8 | 8.44 | 36.5  | 65.6 | 8.05 | 36.6  | 63.4 | 7.66 | 36.7  | 59.1  | 6.92 | 36.9 |
|                 |                        | 60                         | 76.5   | 9.51  | 35.4  | 72.2 | 9.38  | 36.0  | 67.8 | 8.56 | 36.5  | 65.6 | 8.16 | 36.8  | 63.4 | 7.78 | 37.0  | 59.1  | 7.04 | 37.5 |
|                 |                        | 96                         | 76.5   | 9.40  | 37.0  | 72.2 | 9.28  | 37.5  | 67.8 | 8.47 | 37.9  | 65.6 | 8.08 | 38.1  | 63.4 | 7.70 | 38.3  | 59.1  | 6.97 | 38.8 |
|                 | 20                     | 50                         | 76.5   | 9.14  | 40.0  | 72.2 | 9.03  | 40.3  | 67.8 | 8.25 | 40.6  | 65.6 | 7.87 | 40.7  | 63.4 | 7.50 | 40.8  | 59.1  | 6.80 | 41.1 |
|                 |                        | 60                         | 76.5   | 9.06  | 41.0  | 72.2 | 8.95  | 41.2  | 67.8 | 8.18 | 41.4  | 65.6 | 7.81 | 41.5  | 63.4 | 7.44 | 41.7  | 59.1  | 6.74 | 41.9 |
|                 |                        | 96                         | 76.5   | 9.14  | 40.0  | 72.2 | 9.03  | 40.3  | 67.8 | 8.25 | 40.6  | 65.6 | 7.87 | 40.7  | 63.4 | 7.50 | 40.8  | 59.1  | 6.80 | 41.1 |
|                 | 25                     | 50                         | 29.2   | 5.37  | 6.59  | 29.7 | 5.12  | 6.47  | 30.2 | 4.94 | 6.38  | 30.4 | 4.87 | 6.34  | 30.5 | 4.83 | 6.31  | 30.8  | 4.79 | 6.28 |
|                 |                        | 60                         | 34.7   | 5.86  | 6.56  | 35.0 | 5.76  | 6.51  | 35.2 | 5.72 | 6.48  | 35.3 | 5.72 | 6.47  | 35.3 | 5.74 | 6.47  | 35.3  | 5.83 | 6.48 |
|                 |                        | 96                         | 45.9   | 7.98  | 7.17  | 45.8 | 8.13  | 7.19  | 45.7 | 8.33 | 7.21  | 45.5 | 8.46 | 7.23  | 45.4 | 8.59 | 7.25  | 45.1  | 8.90 | 7.30 |
| 30              | 50                     | 48.1                       | 8.43   | 7.63  | 48.0  | 8.62 | 7.65  | 47.8  | 8.86 | 7.68 | 47.6  | 9.00 | 7.69 | 47.5  | 9.15 | 7.71 | 47.1  | 9.49  | 7.76 |      |
|                 | 60                     | 48.0                       | 8.33   | 9.31  | 47.9  | 8.52 | 9.36  | 47.7  | 8.76 | 9.42 | 47.5  | 8.89 | 9.46 | 47.3  | 9.04 | 9.51 | 47.0  | 9.38  | 9.61 |      |
|                 | 96                     | 49.3                       | 8.42   | 10.12 | 49.1  | 8.63 | 10.17 | 48.8  | 8.88 | 10.2 | 48.7  | 9.02 | 10.3 | 48.5  | 9.17 | 10.3 | 48.1  | 9.52  | 10.4 |      |
| 35              | 50                     | 52.5                       | 8.69   | 11.7  | 52.3  | 8.93 | 11.8  | 51.9  | 9.21 | 11.8 | 51.7  | 9.36 | 11.8 | 51.5  | 9.53 | 11.9 | 51.0  | 9.89  | 11.9 |      |
|                 | 60                     | 53.7                       | 8.79   | 12.3  | 53.4  | 9.04 | 12.4  | 53.0  | 9.33 | 12.4 | 52.8  | 9.49 | 12.4 | 52.6  | 9.66 | 12.4 | 52.1  | 10.03 | 12.5 |      |
|                 | 96                     | 56.8                       | 9.07   | 13.2  | 56.4  | 9.3  |       |       |      |      |       |      |      |       |      |      |       |       |      |      |



# 4 Capacity tables

## 4 - 3 Heating capacity tables

| RWEYQ18PY1      |                        |                            | TC: Total Capacity: kW ; PI: Power Input: kW (compressor + outdoor fan motor) ; OWT: Outlet Water Temperatur: °C |      |      |      |      |      |      |      |      |      |      |      |      |      |      |      |      |      |      |      |      |      |      |      |      |      |      |      |      |      |      |      |      |      |      |      |      |      |      |      |      |      |      |      |      |      |      |      |      |      |      |      |     |      |      |      |      |      |      |
|-----------------|------------------------|----------------------------|--|------|------|------|------|------|------|------|------|------|------|------|------|------|------|------|------|------|------|------|------|------|------|------|------|------|------|------|------|------|------|------|------|------|------|------|------|------|------|------|------|------|------|------|------|------|------|------|------|------|------|------|-----|------|------|------|------|------|------|
| Combination (%) | Inlet Water Temp. (°C) | Water Volume (note2) L/min | Indoor air temperature: °CWB   |      |      |      |      |      |      |      |      |      |      |      |      |      |      |      |      |      |      |      |      |      |      |      |      |      |      |      |      |      |      |      |      |      |      |      |      |      |      |      |      |      |      |      |      |      |      |      |      |      |      |      |     |      |      |      |      |      |      |
|                 |                        |                            | 16.0   |      |      | 18.0 |      |      | 20.0 |      |      | 21.0 |      |      | 22.0 |      |      | 24.0 |      |      |      |      |      |      |      |      |      |      |      |      |      |      |      |      |      |      |      |      |      |      |      |      |      |      |      |      |      |      |      |      |      |      |      |      |     |      |      |      |      |      |      |
|                 |                        |                            | TC   | PI   | OWT  | TC   | PI   | OWT  | TC   | PI   | OWT  | TC   | PI   | OWT  | TC   | PI   | OWT  | TC   | PI   | OWT  |      |      |      |      |      |      |      |      |      |      |      |      |      |      |      |      |      |      |      |      |      |      |      |      |      |      |      |      |      |      |      |      |      |      |     |      |      |      |      |      |      |
| 100             | 10                     | 50                         | 30.0   | 5.00 | 6.41 | 30.4 | 4.87 | 6.34 | 30.7 | 4.80 | 6.29 | 30.7 | 4.79 | 6.28 | 30.8 | 4.79 | 6.27 | 30.9 | 4.83 | 6.27 | 50   | 30.6 | 4.81 | 6.30 | 30.8 | 4.79 | 6.28 | 30.9 | 4.80 | 6.27 | 30.9 | 4.83 | 6.27 | 31.0 | 4.87 | 6.27 | 50   | 30.6 | 4.81 | 6.30 | 30.8 | 4.79 | 6.28 | 30.9 | 4.80 | 6.27 | 30.9 | 4.83 | 6.27 | 31.0 | 4.87 | 6.27 |      |      |     |      |      |      |      |      |      |
|                 |                        | 90                         | 10   | 50   | 30.6 | 4.81 | 6.30 | 30.8 | 4.79 | 6.28 | 30.9 | 4.80 | 6.27 | 30.9 | 4.83 | 6.27 | 31.0 | 4.87 | 6.27 | 31.1 | 4.91 | 6.27 | 50   | 30.6 | 4.81 | 6.30 | 30.8 | 4.79 | 6.28 | 30.9 | 4.80 | 6.27 | 30.9 | 4.83 | 6.27 | 31.0 | 4.87 | 6.27 | 50   | 30.6 | 4.81 | 6.30 | 30.8 | 4.79 | 6.28 | 30.9 | 4.80 | 6.27 | 30.9 | 4.83 | 6.27 | 31.0 | 4.87 | 6.27 |     |      |      |      |      |      |      |
|                 |                        |                            |  | 80   | 10   | 50   | 30.9 | 4.80 | 6.29 | 30.9 | 4.86 | 6.27 | 30.8 | 4.9  | 6.29 | 30.8 | 5.0  | 6.31 | 30.7 | 5.07 | 6.32 | 30.5 | 5.24 | 6.37 | 50   | 30.9 | 4.80 | 6.29 | 30.9 | 4.86 | 6.27 | 30.8 | 4.9  | 6.29 | 30.8 | 5.0  | 6.31 | 30.7 | 5.07 | 6.32 | 30.5 | 5.24 | 6.37 | 50   | 30.9 | 4.80 | 6.29 | 30.9 | 4.86 | 6.27 | 30.8 | 4.9  | 6.29 | 30.8 | 5.0 | 6.31 | 30.7 | 5.07 | 6.32 | 30.5 | 5.24 |

CA08A496A

# 4 Capacity tables

## 4 - 3 Heating capacity tables

| RWEYQ18PY1      |                        |                            | TC: Total Capacity: kW ; PI: Power Input: kW (compressor + outdoor fan motor) ; OWT: Outlet Water Temperatur: °C |      |       |      |      |      |      |      |      |      |      |      |      |      |      |      |      |      |      |      |       |      |      |      |      |      |      |      |      |      |      |      |      |      |      |      |
|-----------------|------------------------|----------------------------|--|------|-------|------|------|------|------|------|------|------|------|------|------|------|------|------|------|------|------|------|-------|------|------|------|------|------|------|------|------|------|------|------|------|------|------|------|
| Combination (%) | Inlet Water Temp. (°C) | Water Volume (note2) L/min | Indoor air temperature: °CWB   |      |       |      |      |      |      |      |      |      |      |      |      |      |      |      |      |      |      |      |       |      |      |      |      |      |      |      |      |      |      |      |      |      |      |      |
|                 |                        |                            | 16.0   |      |       |      |      |      | 18.0 |      |      |      |      |      | 20.0 |      |      |      |      |      | 21.0 |      |       |      |      |      | 22.0 |      |      |      |      |      | 24.0 |      |      |      |      |      |
|                 |                        |                            | TC   | PI   | OWT   | TC   | PI   | OWT  | TC   | PI   | OWT  | TC   | PI   | OWT  | TC   | PI   | OWT  | TC   | PI   | OWT  | TC   | PI   | OWT   | TC   | PI   | OWT  | TC   | PI   | OWT  | TC   | PI   | OWT  |      |      |      |      |      |      |
| 70              | 10                     | 50                         | 30.8   | 5.0  | 6.30  | 30.7 | 5.08 | 6.33 | 30.6 | 5.23 | 6.37 | 30.5 | 5.31 | 6.39 | 30.4 | 5.40 | 6.42 | 30.1 | 5.60 | 6.49 | 30.8 | 5.0  | 6.30  | 30.7 | 5.08 | 6.33 | 30.6 | 5.23 | 6.37 | 30.5 | 5.31 | 6.39 | 30.4 | 5.40 | 6.42 | 30.1 | 5.60 | 6.49 |
|                 |                        | 60                         | 34.9   | 6.3  | 6.58  | 34.7 | 6.47 | 6.63 | 34.5 | 6.68 | 6.68 | 34.3 | 6.80 | 6.71 | 34.2 | 6.92 | 6.74 | 33.9 | 7.18 | 6.81 | 34.9 | 6.3  | 6.58  | 34.7 | 6.47 | 6.63 | 34.5 | 6.68 | 6.68 | 34.3 | 6.80 | 6.71 | 34.2 | 6.92 | 6.74 | 33.9 | 7.18 | 6.81 |
|                 |                        | 96                         | 44.0   | 9.8  | 7.45  | 42.1 | 9.31 | 7.55 | 39.6 | 8.46 | 7.68 | 38.3 | 8.05 | 7.74 | 37.0 | 7.66 | 7.81 | 34.5 | 6.90 | 7.94 | 44.0 | 9.8  | 7.45  | 42.1 | 9.31 | 7.55 | 39.6 | 8.46 | 7.68 | 38.3 | 8.05 | 7.74 | 37.0 | 7.66 | 7.81 | 34.5 | 6.90 | 7.94 |
|                 | 15                     | 50                         | 44.6   | 9.76 | 10.00 | 42.1 | 8.92 | 10.2 | 39.6 | 8.12 | 10.5 | 38.3 | 7.73 | 10.6 | 37.0 | 7.36 | 10.8 | 34.5 | 6.64 | 11.0 | 44.6 | 9.76 | 10.00 | 42.1 | 8.92 | 10.2 | 39.6 | 8.12 | 10.5 | 38.3 | 7.73 | 10.6 | 37.0 | 7.36 | 10.8 | 34.5 | 6.64 | 11.0 |
|                 |                        | 60                         | 44.6   | 9.37 | 10.8  | 42.1 | 8.57 | 11.0 | 39.6 | 7.81 | 11.2 | 38.3 | 7.44 | 11.3 | 37.0 | 7.08 | 11.4 | 34.5 | 6.39 | 11.6 | 44.6 | 9.37 | 10.8  | 42.1 | 8.57 | 11.0 | 39.6 | 7.81 | 11.2 | 38.3 | 7.44 | 11.3 | 37.0 | 7.08 | 11.4 | 34.5 | 6.39 | 11.6 |
|                 |                        | 96                         | 44.6   | 8.46 | 12.3  | 42.1 | 7.75 | 12.4 | 39.6 | 7.08 | 12.6 | 38.3 | 6.75 | 12.6 | 37.0 | 6.43 | 12.7 | 34.5 | 5.82 | 12.9 | 44.6 | 8.46 | 12.3  | 42.1 | 7.75 | 12.4 | 39.6 | 7.08 | 12.6 | 38.3 | 6.75 | 12.6 | 37.0 | 6.43 | 12.7 | 34.5 | 5.82 | 12.9 |
|                 | 20                     | 50                         | 44.6   | 8.18 | 12.6  | 42.1 | 7.50 | 12.9 | 39.6 | 6.85 | 13.0 | 38.3 | 6.53 | 13.1 | 37.0 | 6.23 | 13.2 | 34.5 | 5.64 | 13.3 | 44.6 | 8.18 | 12.6  | 42.1 | 7.50 | 12.9 | 39.6 | 6.85 | 13.0 | 38.3 | 6.53 | 13.1 | 37.0 | 6.23 | 13.2 | 34.5 | 5.64 | 13.3 |
|                 |                        | 60                         | 44.6   | 7.48 | 14.7  | 42.1 | 6.87 | 15.0 | 39.6 | 6.28 | 15.2 | 38.3 | 6.00 | 15.4 | 37.0 | 5.73 | 15.5 | 34.5 | 5.20 | 15.8 | 44.6 | 7.48 | 14.7  | 42.1 | 6.87 | 15.0 | 39.6 | 6.28 | 15.2 | 38.3 | 6.00 | 15.4 | 37.0 | 5.73 | 15.5 | 34.5 | 5.20 | 15.8 |
|                 |                        | 96                         | 44.6   | 7.20 | 17.2  | 42.1 | 6.62 | 17.4 | 39.6 | 6.06 | 17.5 | 38.3 | 5.79 | 17.6 | 37.0 | 5.53 | 17.7 | 34.5 | 5.02 | 17.8 | 44.6 | 7.20 | 17.2  | 42.1 | 6.62 | 17.4 | 39.6 | 6.06 | 17.5 | 38.3 | 5.79 | 17.6 | 37.0 | 5.53 | 17.7 | 34.5 | 5.02 | 17.8 |
|                 | 25                     | 50                         | 44.6   | 7.14 | 17.8  | 42.1 | 6.56 | 17.9 | 39.6 | 6.01 | 18.0 | 38.3 | 5.74 | 18.1 | 37.0 | 5.48 | 18.1 | 34.5 | 4.99 | 18.2 | 44.6 | 7.14 | 17.8  | 42.1 | 6.56 | 17.9 | 39.6 | 6.01 | 18.0 | 38.3 | 5.74 | 18.1 | 37.0 | 5.48 | 18.1 | 34.5 | 4.99 | 18.2 |
|                 |                        | 60                         | 44.6   | 6.46 | 19.5  | 42.1 | 5.95 | 19.8 | 39.6 | 5.46 | 20.1 | 38.3 | 5.23 | 20.3 | 37.0 | 5.00 | 20.4 | 34.5 | 4.56 | 20.7 | 44.6 | 6.46 | 19.5  | 42.1 | 5.95 | 19.8 | 39.6 | 5.46 | 20.1 | 38.3 | 5.23 | 20.3 | 37.0 | 5.00 | 20.4 | 34.5 | 4.56 | 20.7 |
|                 |                        | 96                         | 44.6   | 6.40 | 20.4  | 42.1 | 5.89 | 20.7 | 39.6 | 5.41 | 20.9 | 38.3 | 5.18 | 21.0 | 37.0 | 4.95 | 21.2 | 34.5 | 4.51 | 21.4 | 44.6 | 6.40 | 20.4  | 42.1 | 5.89 | 20.7 | 39.6 | 5.41 | 20.9 | 38.3 | 5.18 | 21.0 | 37.0 | 4.95 | 21.2 | 34.5 | 4.51 | 21.4 |
| 30              | 50                     | 44.6                       | 6.23   | 22.1 | 42.1  | 5.74 | 22.3 | 39.6 | 5.28 | 22.4 | 38.3 | 5.05 | 22.5 | 37.0 | 4.83 | 22.6 | 34.5 | 4.41 | 22.8 | 44.6 | 6.23 | 22.1 | 42.1  | 5.74 | 22.3 | 39.6 | 5.28 | 22.4 | 38.3 | 5.05 | 22.5 | 37.0 | 4.83 | 22.6 | 34.5 | 4.41 | 22.8 |      |
|                 | 60                     | 44.6                       | 6.18   | 22.7 | 42.1  | 5.70 | 22.8 | 39.6 | 5.24 | 23.0 | 38.3 | 5.01 | 23.0 | 37.0 | 4.80 | 23.1 | 34.5 | 4.38 | 23.2 | 44.6 | 6.18 | 22.7 | 42.1  | 5.70 | 22.8 | 39.6 | 5.24 | 23.0 | 38.3 | 5.01 | 23.0 | 37.0 | 4.80 | 23.1 | 34.5 | 4.38 | 23.2 |      |
|                 | 96                     | 44.6                       | 5.67   | 24.4 | 42.1  | 5.24 | 24.7 | 39.6 | 4.83 | 25.0 | 38.3 | 4.63 | 25.2 | 37.0 | 4.43 | 25.3 | 34.5 | 4.05 | 25.6 | 44.6 | 5.67 | 24.4 | 42.1  | 5.24 | 24.7 | 39.6 | 4.83 | 25.0 | 38.3 | 4.63 | 25.2 | 37.0 | 4.43 | 25.3 | 34.5 | 4.05 | 25.6 |      |
| 35              | 50                     | 44.6                       | 5.62   | 25.3 | 42.1  | 5.19 | 25.6 | 39.6 | 4.78 | 25.8 | 38.3 | 4.58 | 26.0 | 37.0 | 4.39 | 26.1 | 34.5 | 4.02 | 26.4 | 44.6 | 5.62 | 25.3 | 42.1  | 5.19 | 25.6 | 39.6 | 4.78 | 25.8 | 38.3 | 4.58 | 26.0 | 37.0 | 4.39 | 26.1 | 34.5 | 4.02 | 26.4 |      |
|                 | 60                     | 44.6                       | 5.48   | 27.1 | 42.1  | 5.07 | 27.2 | 39.6 | 4.67 | 27.4 | 38.3 | 4.48 | 27.5 | 37.0 | 4.29 | 27.6 | 34.5 | 3.93 | 27.7 | 44.6 | 5.48 | 27.1 | 42.1  | 5.07 | 27.2 | 39.6 | 4.67 | 27.4 | 38.3 | 4.48 | 27.5 | 37.0 | 4.29 | 27.6 | 34.5 | 3.93 | 27.7 |      |
|                 | 96                     | 44.6                       | 5.44   | 27.7 | 42.1  | 5.03 | 27.8 | 39.6 | 4.63 | 27.9 | 38.3 | 4.44 | 28.0 | 37.0 | 4.26 | 28.0 | 34.5 | 3.90 | 28.2 | 44.6 | 5.44 | 27.7 | 42.1  | 5.03 | 27.8 | 39.6 | 4.63 | 27.9 | 38.3 | 4.44 | 28.0 | 37.0 | 4.26 | 28.0 | 34.5 | 3.90 | 28.2 |      |
| 40              | 50                     | 44.6                       | 5.05   | 29.3 | 42.1  | 4.68 | 29.6 | 39.6 | 4.32 | 30.0 | 38.3 | 4.15 | 30.1 | 37.0 | 3.98 | 30.3 | 34.5 | 3.66 | 30.6 | 44.6 | 5.05 | 29.3 | 42.1  | 4.68 | 29.6 | 39.6 | 4.32 | 30.0 | 38.3 | 4.15 | 30.1 | 37.0 | 3.98 | 30.3 | 34.5 | 3.66 | 30.6 |      |
|                 | 60                     | 44.6                       | 5.00   | 30.3 | 42.1  | 4.63 | 30.5 | 39.6 | 4.28 | 30.8 | 38.3 | 4.11 | 30.9 | 37.0 | 3.95 | 31.1 | 34.5 | 3.63 | 31.3 | 44.6 | 5.00 | 30.3 | 42.1  | 4.63 | 30.5 | 39.6 | 4.28 | 30.8 | 38.3 | 4.11 | 30.9 | 37.0 | 3.95 | 31.1 | 34.5 | 3.63 | 31.3 |      |
|                 | 96                     | 44.6                       | 4.88   | 32.0 | 42.1  | 4.53 | 32.2 | 39.6 | 4.19 | 32.4 | 38.3 | 4.02 | 32.4 | 37.0 | 3.86 | 32.5 | 34.5 | 3.55 | 32.7 | 44.6 | 4.88 | 32.0 | 42.1  | 4.53 | 32.2 | 39.6 | 4.19 | 32.4 | 38.3 | 4.02 | 32.4 | 37.0 | 3.86 | 32.5 | 34.5 | 3.55 | 32.7 |      |
| 45              | 50                     | 44.6                       | 4.84   | 32.6 | 42.1  | 4.49 | 32.8 | 39.6 | 4.16 | 32.9 | 38.3 | 3.99 | 33.0 | 37.0 | 3.83 | 33.0 | 34.5 | 3.53 | 33.2 | 44.6 | 4.84 | 32.6 | 42.1  | 4.49 | 32.8 | 39.6 | 4.16 | 32.9 | 38.3 | 3.99 | 33.0 | 37.0 | 3.83 | 33.0 | 34.5 | 3.53 | 33.2 |      |
|                 | 60                     | 44.6                       | 4.92   | 34.3 | 42.1  | 4.56 | 34.6 | 39.6 | 4.21 | 34.9 | 38.3 | 4.04 | 35.1 | 37.0 | 3.88 | 35.3 | 34.5 | 3.57 | 35.6 | 44.6 | 4.92 | 34.3 | 42.1  | 4.56 | 34.6 | 39.6 | 4.21 | 34.9 | 38.3 | 4.04 | 35.1 | 37.0 | 3.88 | 35.3 | 34.5 | 3.57 | 35.6 |      |
|                 | 96                     | 44.6                       | 4.88   | 35.3 | 42.1  | 4.52 | 35.5 | 39.6 | 4.17 | 35.8 | 38.3 | 4.01 | 35.9 | 37.0 | 3.85 | 36.0 | 34.5 | 3.54 | 36.3 | 44.6 | 4.88 | 35.3 | 42.1  | 4.52 | 35.5 | 39.6 | 4.17 | 35.8 | 38.3 | 4.01 | 35.9 | 37.0 | 3.85 | 36.0 | 34.5 | 3.54 | 36.3 |      |
| 50              | 50                     | 44.6                       | 4.76   | 37.0 | 42.1  | 4.41 | 37.2 | 39.6 | 4.08 | 37.4 | 38.3 | 3.92 | 37.4 | 37.0 | 3.76 | 37.5 | 34.5 | 3.46 | 37.7 | 44.6 | 4.76 | 37.0 | 42.1  | 4.41 | 37.2 | 39.6 | 4.08 | 37.4 | 38.3 | 3.92 | 37.4 | 37.0 | 3.76 | 37.5 | 34.5 | 3.46 | 37.7 |      |
|                 | 60                     | 44.6                       | 4.72   | 37.6 | 42.1  | 4.38 | 37.7 | 39.6 | 4.05 | 37.9 | 38.3 | 3.89 | 37.9 | 37.0 | 3.74 | 38.0 | 34.5 | 3.44 | 38.1 | 44.6 | 4.72 | 37.6 | 42.1  | 4.38 | 37.7 | 39.6 | 4.05 | 37.9 | 38.3 | 3.89 | 37.9 | 37.0 | 3.74 | 38.0 | 34.5 | 3.44 | 38.1 |      |
|                 | 96                     | 44.6                       | 4.80   | 39.3 | 42.1  | 4.45 | 39.6 | 39.6 | 4.11 | 39.9 | 38.3 | 3.94 | 40.1 | 37.0 | 3.78 | 40.2 | 34.5 | 3.48 | 40.6 | 44.6 | 4.80 | 39.3 | 42.1  | 4.45 | 39.6 | 39.6 | 4.11 | 39.9 | 38.3 | 3.94 | 40.1 | 37.0 | 3.78 | 40.2 | 34.5 | 3.48 | 40.6 |      |
| 60              | 50                     | 44.6                       | 4.75   | 40.2 | 42.1  | 4.40 | 40.5 | 39.6 | 4.07 | 40.8 | 38.3 | 3.91 | 40.9 | 37.0 | 3.75 | 41.0 | 34.5 | 3.45 | 41.3 | 44.6 | 4.75 | 40.2 | 42.1  | 4.40 | 40.5 | 39.6 | 4.07 | 40.8 | 38.3 | 3.91 | 40.9 | 37.0 | 3.75 | 41.0 | 34.5 | 3.45 | 41.3 |      |
|                 | 60                     | 44.6                       | 4.64   | 42.0 | 42.1  | 4.30 | 42.2 | 39.6 | 3.98 | 42.3 | 38.3 | 3.82 | 42.4 | 37.0 | 3.67 | 42.5 | 34.5 | 3.37 | 42.7 | 44.6 | 4.64 | 42.0 | 42.1  | 4.30 | 42.2 | 39.6 | 3.98 | 42.3 | 38.3 | 3.82 | 42.4 | 37.0 | 3.67 | 42.5 | 34.5 | 3.37 | 42.7 |      |
|                 | 96                     | 44.6                       | 4.61   | 42.6 | 42.1  | 4.27 | 42.7 | 39.6 | 3.95 | 42.9 | 38.3 | 3.80 | 42.9 | 37.0 | 3.64 | 43.0 | 34.5 | 3.35 | 43.1 | 44.6 | 4.61 | 42.6 | 42.1  | 4.27 | 42.7 | 39.6 | 3.95 | 42.9 | 38.3 | 3.80 | 42.9 | 37.0 | 3.64 | 43.0 | 34.5 | 3.35 | 43.1 |      |
| 70              | 50                     | 30.5                       | 5.31   | 6.40 | 30.3  | 5.47 | 6.44 | 30.0 | 5.65 | 6.50 | 29.9 | 5.74 | 6.53 | 29.8 | 5.85 | 6.57 | 29.5 | 6.07 | 6.64 | 30.5 | 5.31 | 6.40 | 30.3  | 5.47 | 6.44 | 30.0 | 5.65 | 6.50 | 29.9 | 5.74 | 6.53 | 29.8 | 5.85 | 6.57 | 29.5 | 6.07 | 6.64 |      |
|                 | 60                     | 34.3                       | 6.80   | 6.71 | 34.1  | 7.01 | 6.77 | 33.8 | 7.24 | 6.83 | 32.8 | 6.94 | 6.91 | 31.7 | 6.59 | 7.00 | 29.5 | 5.92 | 7.18 | 34.3 | 6.80 | 6.71 | 34.1  | 7.01 | 6.77 | 33.8 | 7.24 | 6.83 | 32.8 | 6.94 | 6.91 | 31.7 | 6.59 | 7.00 | 29.5 | 5.92 | 7.18 |      |
|                 | 96                     | 38.3                       | 8.05   | 7.74 | 36.1  | 7.37 | 7.86 | 33.9 | 6.73 | 7.97 | 32.8 | 6.42 | 8.03 | 31.7 | 6.12 | 8.09 | 29.5 | 5.54 | 8.21 | 38.3 | 8.05 | 7.74 | 36.1  | 7.37 | 7.86 | 33.9 | 6.73 | 7.97 | 32.8 | 6.42 | 8.03 | 31.7 | 6.12 | 8.09 | 29.5 | 5.54 | 8.21 |      |
| 10              | 50                     | 38.3                       | 7.78   | 8.18 | 36.1  | 7.14 | 8.27 | 33.9 | 6.53 | 8.37 | 32.8 | 6.23 | 8.41 | 31.7 | 5.95 | 8.46 | 29.5 | 5.39 | 8.56 | 38.3 | 7.78 | 8.18 | 36.1  | 7.14 | 8.27 | 33.9 | 6.53 | 8.37 | 32.8 | 6.23 | 8.41 | 31.7 | 5.95 | 8.46 | 29.5 | 5.39 | 8.56 |      |
|                 | 60                     | 38.3                       | 7.73   | 10.6 | 36.1  |      |      |      |      |      |      |      |      |      |      |      |      |      |      |      |      |      |       |      |      |      |      |      |      |      |      |      |      |      |      |      |      |      |

# 4 Capacity tables

## 4 - 3 Heating capacity tables

| RWEYQ20PY1      |                        | TC: Total Capacity: kW ; PI: Power Input: kW (compressor + outdoor fan motor) ; OWT: Outlet Water Temperatur: °C |                              |      |      |      |      |      |      |      |      |      |      |      |      |      |      |      |      |      |
|-----------------|------------------------|--|------------------------------|------|------|------|------|------|------|------|------|------|------|------|------|------|------|------|------|------|
| Combination (%) | Inlet Water Temp. (°C) | Water Volume (note2) L/min   | Indoor air temperature: °CWB |      |      |      |      |      |      |      |      |      |      |      |      |      |      |      |      |      |
|                 |                        |  | 16.0                         |      |      | 18.0 |      |      | 20.0 |      |      | 21.0 |      |      | 22.0 |      |      | 24.0 |      |      |
|                 |                        |  | TC                           | PI   | OWT  | TC   | PI   | OWT  | TC   | PI   | OWT  | TC   | PI   | OWT  | TC   | PI   | OWT  | TC   | PI   | OWT  |
| 130             | 10                     | 50   | 29.6                         | 7.80 | 6.88 | 30.8 | 7.16 | 6.61 | 31.9 | 6.62 | 6.38 | 32.4 | 6.40 | 6.28 | 32.8 | 6.20 | 6.19 | 33.5 | 5.90 | 6.05 |
|                 |                        | 60   | 36.7                         | 7.79 | 6.54 | 37.6 | 7.37 | 6.39 | 38.3 | 7.05 | 6.27 | 38.6 | 6.94 | 6.22 | 38.8 | 6.84 | 6.18 | 39.2 | 6.74 | 6.13 |
|                 |                        | 96   | 50.9                         | 9.21 | 6.89 | 51.1 | 9.20 | 6.87 | 51.2 | 9.28 | 6.87 | 51.2 | 9.35 | 6.87 | 51.2 | 9.44 | 6.88 | 51.0 | 9.7  | 6.91 |
|                 | 15                     | 50   | 53.5                         | 9.46 | 8.69 | 53.6 | 9.52 | 8.68 | 53.6 | 9.65 | 8.70 | 53.6 | 9.8  | 8.72 | 53.5 | 9.98 | 8.75 | 53.3 | 10.2 | 8.82 |
|                 |                        | 60   | 55.1                         | 9.49 | 9.56 | 55.1 | 9.58 | 9.56 | 55.1 | 9.74 | 9.59 | 55.0 | 9.9  | 9.61 | 54.9 | 10.0 | 9.64 | 54.6 | 10.3 | 9.71 |
|                 |                        | 96   | 59.0                         | 9.63 | 11.3 | 59.0 | 9.79 | 11.3 | 58.8 | 10.0 | 11.4 | 58.7 | 10.2 | 11.4 | 58.5 | 10.3 | 11.4 | 58.1 | 10.7 | 11.5 |
|                 | 20                     | 50   | 64.1                         | 9.91 | 12.2 | 63.9 | 10.1 | 12.3 | 63.6 | 10.4 | 12.4 | 63.4 | 10.6 | 12.4 | 63.2 | 10.8 | 12.5 | 62.6 | 11.2 | 12.6 |
|                 |                        | 60   | 64.6                         | 9.94 | 13.5 | 64.3 | 10.2 | 13.5 | 64.0 | 10.5 | 13.6 | 63.8 | 10.6 | 13.7 | 63.6 | 10.8 | 13.7 | 63.0 | 11.2 | 13.8 |
|                 |                        | 96   | 65.7                         | 10.0 | 15.8 | 65.5 | 10.3 | 15.9 | 65.1 | 10.6 | 15.9 | 64.9 | 10.7 | 16.0 | 64.6 | 10.9 | 16.0 | 64.1 | 11.3 | 16.1 |
|                 | 25                     | 50   | 70.7                         | 10.4 | 16.4 | 70.3 | 10.7 | 16.5 | 69.8 | 11.0 | 16.6 | 69.5 | 11.2 | 16.6 | 69.2 | 11.4 | 16.7 | 68.6 | 11.9 | 16.9 |
|                 |                        | 60   | 71.1                         | 10.4 | 17.8 | 70.7 | 10.7 | 17.8 | 70.2 | 11.1 | 17.9 | 70.0 | 11.3 | 18.0 | 69.7 | 11.5 | 18.1 | 69.0 | 11.9 | 18.2 |
|                 |                        | 96   | 72.3                         | 10.5 | 20.4 | 71.9 | 10.8 | 20.4 | 71.4 | 11.2 | 20.5 | 71.1 | 11.4 | 20.5 | 70.8 | 11.6 | 20.6 | 70.1 | 12.0 | 20.7 |
| 30              | 50                     | 77.1   | 10.9                         | 21.5 | 76.6 | 11.3 | 21.6 | 75.9 | 11.7 | 21.8 | 75.6 | 11.9 | 21.9 | 75.2 | 12.1 | 21.9 | 74.4 | 12.5 | 21.5 |      |
|                 | 60                     | 77.6   | 11.0                         | 22.0 | 77.0 | 11.3 | 22.2 | 76.4 | 11.7 | 22.3 | 76.1 | 11.9 | 22.3 | 75.7 | 12.1 | 22.4 | 74.4 | 12.5 | 22.8 |      |
|                 | 96                     | 78.9   | 11.1                         | 24.9 | 78.3 | 11.4 | 25.0 | 77.7 | 11.8 | 25.1 | 77.3 | 12.0 | 25.1 | 76.6 | 12.1 | 25.2 | 74.4 | 12.5 | 25.5 |      |
| 35              | 50                     | 83.5   | 11.5                         | 24.7 | 82.8 | 11.9 | 24.8 | 81.9 | 12.2 | 25.0 | 81.6 | 12.4 | 25.3 | 81.1 | 12.6 | 25.3 | 80.1 | 12.8 | 26.4 |      |
|                 | 60                     | 84.0   | 11.6                         | 26.3 | 83.4 | 11.9 | 26.5 | 81.9 | 12.1 | 26.7 | 81.6 | 12.3 | 26.9 | 81.1 | 12.6 | 26.9 | 80.1 | 12.8 | 27.6 |      |
|                 | 96                     | 85.4   | 11.7                         | 29.5 | 84.7 | 12.1 | 29.6 | 81.9 | 11.7 | 29.8 | 81.6 | 11.9 | 29.9 | 81.1 | 12.3 | 30.1 | 80.1 | 12.8 | 30.4 |      |
| 40              | 50                     | 89.9   | 12.1                         | 28.9 | 87.2 | 11.9 | 29.2 | 81.9 | 11.7 | 29.9 | 81.6 | 11.9 | 30.2 | 81.1 | 12.3 | 30.5 | 80.1 | 12.8 | 31.3 |      |
|                 | 60                     | 90.4   | 12.2                         | 30.7 | 87.2 | 11.7 | 31.0 | 81.9 | 11.6 | 31.6 | 81.6 | 11.8 | 31.9 | 81.1 | 12.3 | 32.1 | 80.1 | 12.8 | 32.6 |      |
|                 | 96                     | 91.9   | 12.3                         | 34.1 | 87.2 | 11.4 | 34.3 | 81.9 | 11.3 | 34.7 | 81.6 | 11.5 | 34.9 | 81.1 | 12.3 | 35.0 | 80.1 | 12.8 | 35.4 |      |
| 45              | 50                     | 92.4   | 12.0                         | 33.5 | 87.2 | 11.6 | 34.2 | 81.9 | 11.3 | 34.9 | 81.6 | 11.5 | 35.2 | 81.1 | 12.3 | 35.5 | 80.1 | 12.8 | 36.1 |      |
|                 | 60                     | 92.4   | 11.9                         | 35.4 | 87.2 | 11.4 | 36.0 | 81.9 | 11.2 | 36.6 | 81.6 | 11.4 | 36.8 | 81.1 | 12.3 | 37.1 | 80.1 | 12.8 | 37.6 |      |
|                 | 96                     | 92.4   | 11.6                         | 39.0 | 87.2 | 11.1 | 39.3 | 81.9 | 10.9 | 39.7 | 81.6 | 11.1 | 39.9 | 81.1 | 12.3 | 40.0 | 80.1 | 12.8 | 40.3 |      |
| 120             | 10                     | 50   | 31.2                         | 6.95 | 6.52 | 32.1 | 6.49 | 6.32 | 32.9 | 6.13 | 6.16 | 33.2 | 5.99 | 6.09 | 33.5 | 5.87 | 6.04 | 34.0 | 5.7  | 5.95 |
|                 |                        | 60   | 37.8                         | 7.25 | 6.35 | 38.4 | 6.99 | 6.24 | 38.9 | 6.81 | 6.17 | 39.1 | 6.76 | 6.14 | 39.2 | 6.73 | 6.12 | 39.4 | 6.7  | 6.10 |
|                 |                        | 96   | 51.2                         | 9.22 | 6.87 | 51.2 | 9.31 | 6.87 | 51.2 | 9.48 | 6.89 | 51.1 | 9.59 | 6.90 | 51.0 | 9.7  | 6.92 | 50.7 | 10.0 | 6.96 |
|                 | 15                     | 50   | 53.6                         | 9.56 | 8.68 | 53.6 | 9.70 | 8.71 | 53.5 | 9.9  | 8.76 | 53.4 | 10.1 | 8.79 | 53.2 | 10.2 | 8.83 | 52.9 | 10.5 | 8.93 |
|                 |                        | 60   | 55.1                         | 9.63 | 9.57 | 55.0 | 9.8  | 9.60 | 54.8 | 10.0 | 9.65 | 54.7 | 10.2 | 9.68 | 54.6 | 10.3 | 9.72 | 54.2 | 10.7 | 9.81 |
|                 |                        | 96   | 58.9                         | 9.86 | 11.3 | 58.7 | 10.1 | 11.4 | 58.4 | 10.4 | 11.4 | 58.2 | 10.5 | 11.4 | 58.0 | 10.7 | 11.5 | 57.6 | 11.1 | 11.5 |
|                 | 20                     | 50   | 63.8                         | 10.2 | 12.3 | 63.5 | 10.5 | 12.4 | 63.1 | 10.9 | 12.5 | 62.8 | 11.0 | 12.6 | 62.6 | 11.2 | 12.6 | 62.0 | 11.7 | 12.8 |
|                 |                        | 60   | 64.2                         | 10.3 | 13.6 | 63.9 | 10.6 | 13.6 | 63.5 | 10.9 | 13.7 | 63.2 | 11.1 | 13.8 | 63.0 | 11.3 | 13.8 | 62.4 | 11.7 | 13.9 |
|                 |                        | 96   | 65.3                         | 10.4 | 15.9 | 65.0 | 10.7 | 15.9 | 64.5 | 11.0 | 16.0 | 64.3 | 11.2 | 16.0 | 64.0 | 11.4 | 16.1 | 63.4 | 11.8 | 16.2 |
|                 | 25                     | 50   | 70.1                         | 10.8 | 16.5 | 69.6 | 11.1 | 16.6 | 69.1 | 11.5 | 16.7 | 68.8 | 11.7 | 16.8 | 68.5 | 11.9 | 16.9 | 65.9 | 11.5 | 17.2 |
|                 |                        | 60   | 70.6                         | 10.8 | 17.9 | 70.1 | 11.2 | 18.0 | 69.5 | 11.5 | 18.1 | 69.2 | 11.7 | 18.1 | 68.9 | 12.0 | 18.2 | 65.9 | 11.4 | 18.5 |
|                 |                        | 96   | 71.7                         | 11.0 | 20.5 | 71.2 | 11.3 | 20.5 | 70.7 | 11.7 | 20.6 | 70.4 | 11.9 | 20.6 | 70.0 | 12.1 | 20.7 | 65.9 | 11.1 | 20.9 |
| 30              | 50                     | 76.3   | 11.4                         | 20.7 | 75.8 | 11.8 | 20.8 | 75.1 | 12.2 | 21.0 | 73.2 | 11.7 | 21.2 | 70.7 | 11.1 | 21.5 | 65.9 | 10.0 | 22.0 |      |
|                 | 60                     | 76.8   | 11.5                         | 22.2 | 76.2 | 11.8 | 22.3 | 75.6 | 12.2 | 22.4 | 73.2 | 11.6 | 22.6 | 70.7 | 11.0 | 22.9 | 65.9 | 9.89 | 23.3 |      |
|                 | 96                     | 78.1   | 11.6                         | 25.0 | 77.5 | 11.9 | 25.1 | 75.6 | 11.9 | 25.2 | 73.2 | 11.3 | 25.4 | 70.7 | 10.7 | 25.5 | 65.9 | 9.62 | 25.8 |      |
| 35              | 50                     | 82.6   | 12.0                         | 24.9 | 80.5 | 11.9 | 25.2 | 75.6 | 10.8 | 25.7 | 73.2 | 10.3 | 26.0 | 70.7 | 9.76 | 26.3 | 65.9 | 8.78 | 26.8 |      |
|                 | 60                     | 83.1   | 12.1                         | 26.5 | 80.5 | 11.7 | 26.8 | 75.6 | 10.7 | 27.2 | 73.2 | 10.2 | 27.5 | 70.7 | 9.65 | 27.7 | 65.9 | 8.69 | 28.2 |      |
|                 | 96                     | 84.5   | 12.2                         | 29.6 | 80.5 | 11.4 | 29.8 | 75.6 | 10.4 | 30.1 | 73.2 | 9.88 | 30.3 | 70.7 | 9.39 | 30.4 | 65.9 | 8.46 | 30.7 |      |
| 40              | 50                     | 85.3   | 11.5                         | 29.4 | 80.5 | 11.4 | 30.1 | 75.6 | 10.4 | 30.7 | 73.2 | 9.91 | 30.9 | 70.7 | 9.43 | 31.2 | 65.9 | 8.51 | 31.8 |      |
|                 | 60                     | 85.3   | 11.3                         | 31.2 | 80.5 | 11.3 | 31.7 | 75.6 | 10.3 | 32.2 | 73.2 | 9.81 | 32.4 | 70.7 | 9.33 | 32.7 | 65.9 | 8.43 | 33.1 |      |
|                 | 96                     | 85.3   | 11.0                         | 34.5 | 80.5 | 11.0 | 34.8 | 75.6 | 10.0 | 35.1 | 73.2 | 9.54 | 35.3 | 70.7 | 9.09 | 35.4 | 65.9 | 8.21 | 35.7 |      |
| 45              | 50                     | 85.3   | 10.9                         | 35.6 | 80.5 | 10.9 | 35.8 | 75.6 | 9.93 | 36.1 | 73.2 | 9.46 | 36.2 | 70.7 | 9.01 | 36.3 | 65.9 | 8.14 | 36.6 |      |
|                 | 60                     | 85.3   | 11.2                         | 34.4 | 80.5 | 11.0 | 35.0 | 75.6 | 10.1 | 35.6 | 73.2 | 9.60 | 35.9 | 70.7 | 9.15 | 36.2 | 65.9 | 8.28 | 36.7 |      |
|                 | 96                     | 85.3   | 11.1                         | 36.1 | 80.5 | 10.9 | 36.7 | 75.6 | 9.96 | 37.2 | 73.2 | 9.50 | 37.4 | 70.7 | 9.06 | 37.6 | 65.9 | 8.20 | 38.1 |      |
| 110             | 10                     | 50   | 32.5                         | 6.31 | 6.24 | 33.2 | 6.02 | 6.11 | 33.7 | 5.8  | 6.00 | 33.9 | 5.7  | 5.96 | 34.1 | 5.7  | 5.93 | 34.3 | 5.6  | 5.89 |
|                 |                        | 60   | 38.7                         | 6.90 | 6.21 | 39.0 | 6.77 | 6.15 | 39.3 | 6.7  | 6.11 | 39.3 | 6.7  | 6.10 | 39.4 | 6.8  | 6.10 | 39.4 | 6.9  | 6.11 |
|                 |                        | 96   | 51.2                         | 9.38 | 6.88 | 51.1 | 9.56 | 6.90 | 50.9 | 9.8  | 6.93 | 50.8 | 9.9  | 6.95 | 50.6 | 10.1 | 6.97 | 50.3 | 10.5 | 7.03 |
|                 | 15                     | 50   | 53.7                         | 9.91 | 7.39 | 53.5 | 10.4 | 7.41 | 53.3 | 10.4 | 7.44 | 53.1 | 10.6 | 7.46 | 52.9 | 10.8 | 7.48 | 52.5 | 11.2 | 7.53 |
|                 |                        | 60   | 53.6                         | 9.8  | 8.73 | 53.4 | 10.0 | 8.78 | 53.1 | 10.3 | 8.86 | 53.0 | 10.5 | 8.91 | 52.8 | 10.6 | 8.96 | 52.4 | 11.0 | 9.07 |
|                 |                        | 96   | 55.0                         | 9.9  | 9.62 | 54.7 | 10.1 | 9.67 | 54.5 | 10.4 | 9.74 | 54.3 | 10.6 | 9.78 | 54.1 | 10.8 | 9.83 | 53.6 | 11.2 | 9.93 |
|                 | 20                     | 50   | 58.6                         | 10.2 | 11.4 | 58.3 | 10.5 | 11.4 | 57.9 | 10.8 | 11.5 | 57.7 | 11.0 | 11.5 | 57.5 | 11.2 | 11.5 | 56.9 | 11.6 | 11.6 |
|                 |                        | 60   | 59.9                         | 10.3 | 12.0 | 59.5 | 10.6 | 12.1 | 59.1 | 11.0 | 12.1 | 58.9 | 11.2 | 12.2 | 58.6 | 11.4 | 12.2 | 58.1 | 11.8 | 12.2 |
|                 |                        | 96   | 63.3                         | 10.7 | 12.5 | 62.9 | 11.0 | 12.6 | 62.4 | 11.4 | 12.7 | 62.1 | 11.5 | 12.7 | 61.9 | 11.8 | 12.8 | 60.4 | 11.8 | 13.0 |
|                 | 25                     | 50   | 63.7                         | 10.7 | 13.7 | 63.3 | 11.0 | 13.8 | 62.8 | 11.4 | 13.9 | 62.5 | 11.6 | 13.9 | 62.2 | 11.8 | 14.0 | 60.4 | 11.7 | 14.2 |
|                 |                        | 60   | 64.8                         | 10.8 | 16.0 | 64.4 | 11.1 | 16.0 | 63.8 | 11.5 | 16.1 | 63.6 | 11.7 | 16.1 | 63.3 | 11.9 | 16.2 | 60.4 | 11.3 | 16.3 |
|                 |                        | 96   | 65.1                         | 10.9 | 16.8 | 64.7 | 11.2 | 16.8 | 64.2 | 11.6 |      |      |      |      |      |      |      |      |      |      |

# 4 Capacity tables

## 4 - 3 Heating capacity tables

| RWEYQ20PY1      |                        | TC: Total Capacity: kW ; PI: Power Input: kW (compressor + outdoor fan motor) ; OWT: Outlet Water Temperatur: °C |                              |      |      |      |      |      |      |      |       |      |      |       |      |      |      |      |      |       |      |      |       |        |      |       |
|-----------------|------------------------|--|------------------------------|------|------|------|------|------|------|------|-------|------|------|-------|------|------|------|------|------|-------|------|------|-------|--------|------|-------|
| Combination (%) | Inlet Water Temp. (°C) | Water Volume (note2) L/min   | Indoor air temperature: °CWB |      |      |      |      |      |      |      |       |      |      |       |      |      |      |      |      |       |      |      |       |        |      |       |
|                 |                        |  | 16.0                         |      |      | 18.0 |      |      | 20.0 |      |       | 21.0 |      |       | 22.0 |      |      | 24.0 |      |       |      |      |       |        |      |       |
|                 |                        |  | TC                           | PI   | OWT  | TC   | PI   | OWT  | TC   | PI   | OWT   | TC   | PI   | OWT   | TC   | PI   | OWT  | TC   | PI   | OWT   |      |      |       |        |      |       |
| 100             | 10                     | 50   | 33.5                         | 5.88 | 6.04 | 33.9 | 5.7  | 5.96 | 34.2 | 5.6  | 5.91  | 34.3 | 5.6  | 5.89  | 34.4 | 5.6  | 5.88 | 34.4 | 5.7  | 5.88  | 34.4 | 5.7  | 5.88  | 34.4   | 5.7  | 5.88  |
|                 |                        | 60   | 39.2                         | 6.73 | 6.12 | 39.3 | 6.7  | 6.10 | 39.4 | 6.8  | 6.10  | 39.4 | 6.8  | 6.11  | 39.4 | 6.9  | 6.12 | 39.2 | 7.1  | 6.16  | 39.2 | 7.1  | 6.16  | 39.2   | 7.1  | 6.16  |
|                 |                        | 96   | 51.0                         | 9.7  | 6.92 | 50.8 | 9.9  | 6.95 | 50.5 | 10.2 | 7.00  | 50.3 | 10.4 | 7.02  | 50.1 | 10.6 | 7.05 | 49.7 | 11.0 | 7.11  | 49.7 | 11.0 | 7.11  | 49.7   | 11.0 | 7.11  |
|                 | 15                     | 50   | 53.2                         | 10.2 | 8.83 | 53.0 | 10.5 | 8.91 | 52.6 | 10.8 | 9.00  | 52.4 | 11.0 | 9.06  | 52.2 | 11.2 | 9.12 | 51.7 | 11.6 | 9.25  | 51.7 | 11.6 | 9.25  | 51.7   | 11.6 | 9.25  |
|                 |                        | 60   | 54.6                         | 10.3 | 9.71 | 54.3 | 10.6 | 9.78 | 53.9 | 10.9 | 9.87  | 53.7 | 11.1 | 9.92  | 53.5 | 11.3 | 9.97 | 53.0 | 11.8 | 10.08 | 53.0 | 11.8 | 10.08 | 53.0   | 11.8 | 10.08 |
|                 |                        | 96   | 58.1                         | 10.7 | 11.5 | 57.7 | 11.0 | 11.5 | 57.2 | 11.4 | 11.6  | 57.0 | 11.6 | 11.6  | 56.7 | 11.8 | 11.6 | 54.9 | 12.4 | 11.8  | 54.9 | 12.4 | 11.8  | 54.9   | 12.4 | 11.8  |
|                 | 20                     | 50   | 62.6                         | 11.2 | 12.6 | 62.1 | 11.5 | 12.7 | 61.6 | 11.9 | 12.9  | 61.0 | 12.0 | 13.0  | 59.0 | 11.4 | 13.2 | 54.9 | 10.2 | 13.6  | 54.9 | 10.2 | 13.6  | 54.9   | 10.2 | 13.6  |
|                 |                        | 60   | 63.0                         | 11.2 | 13.8 | 62.5 | 11.6 | 13.9 | 62.0 | 12.0 | 14.0  | 61.0 | 11.8 | 14.1  | 59.0 | 11.2 | 14.3 | 54.9 | 10.1 | 14.6  | 54.9 | 10.1 | 14.6  | 54.9   | 10.1 | 14.6  |
|                 |                        | 96   | 64.1                         | 11.4 | 16.1 | 63.6 | 11.7 | 16.1 | 63.0 | 12.1 | 16.2  | 61.0 | 11.5 | 16.3  | 59.0 | 10.9 | 16.4 | 54.9 | 9.80 | 16.6  | 54.9 | 9.80 | 16.6  | 54.9   | 9.80 | 16.6  |
|                 | 25                     | 50   | 68.5                         | 11.9 | 16.9 | 67.0 | 11.9 | 17.1 | 63.0 | 10.8 | 17.5  | 61.0 | 10.2 | 17.7  | 59.0 | 9.73 | 17.9 | 54.9 | 8.76 | 18.4  | 54.9 | 8.76 | 18.4  | 54.9   | 8.76 | 18.4  |
|                 |                        | 60   | 69.0                         | 11.9 | 18.2 | 67.0 | 11.7 | 18.4 | 63.0 | 10.6 | 18.7  | 61.0 | 10.1 | 18.9  | 59.0 | 9.63 | 19.1 | 54.9 | 8.67 | 19.5  | 54.9 | 8.67 | 19.5  | 54.9   | 8.67 | 19.5  |
|                 |                        | 96   | 70.1                         | 12.0 | 20.7 | 67.0 | 11.4 | 20.8 | 63.0 | 10.4 | 21.1  | 61.0 | 9.85 | 21.2  | 59.0 | 9.37 | 21.3 | 54.9 | 8.44 | 21.5  | 54.9 | 8.44 | 21.5  | 54.9   | 8.44 | 21.5  |
| 30              | 50                     | 71.1   | 11.2                         | 21.4 | 67.0 | 10.3 | 21.9 | 63.0 | 9.35 | 22.3 | 61.0  | 8.91 | 22.5 | 59.0  | 8.48 | 22.8 | 54.9 | 7.65 | 23.2 | 54.9  | 7.65 | 23.2 | 54.9  | 7.65   | 23.2 |       |
|                 | 60                     | 71.1   | 11.1                         | 22.8 | 67.0 | 10.2 | 23.2 | 63.0 | 9.25 | 23.6 | 61.0  | 8.81 | 23.8 | 59.0  | 8.39 | 24.0 | 54.9 | 7.57 | 24.3 | 54.9  | 7.57 | 24.3 | 54.9  | 7.57   | 24.3 |       |
|                 | 96                     | 71.1   | 10.8                         | 25.5 | 67.0 | 9.88 | 25.7 | 63.0 | 9.00 | 26.0 | 61.0  | 8.58 | 26.1 | 59.0  | 8.17 | 26.2 | 54.9 | 7.38 | 26.5 | 54.9  | 7.38 | 26.5 | 54.9  | 7.38   | 26.5 |       |
| 35              | 50                     | 71.1   | 9.83                         | 26.2 | 67.0 | 9.01 | 26.7 | 63.0 | 8.23 | 27.2 | 61.0  | 7.85 | 27.4 | 59.0  | 7.48 | 27.6 | 54.9 | 6.78 | 28.1 | 54.9  | 6.78 | 28.1 | 54.9  | 6.78   | 28.1 |       |
|                 | 60                     | 71.1   | 9.73                         | 27.7 | 67.0 | 8.92 | 28.1 | 63.0 | 8.14 | 28.4 | 61.0  | 7.77 | 28.6 | 59.0  | 7.41 | 28.8 | 54.9 | 6.71 | 29.2 | 54.9  | 6.71 | 29.2 | 54.9  | 6.71   | 29.2 |       |
|                 | 96                     | 71.1   | 9.46                         | 30.4 | 67.0 | 8.68 | 30.6 | 63.0 | 7.93 | 30.9 | 61.0  | 7.57 | 31.0 | 59.0  | 7.22 | 31.1 | 54.9 | 6.54 | 31.4 | 54.9  | 6.54 | 31.4 | 54.9  | 6.54   | 31.4 |       |
| 40              | 50                     | 71.1   | 9.50                         | 31.2 | 67.0 | 8.73 | 31.6 | 63.0 | 7.99 | 32.1 | 61.0  | 7.63 | 32.4 | 59.0  | 7.29 | 32.6 | 54.9 | 6.61 | 33.1 | 54.9  | 6.61 | 33.1 | 54.9  | 6.61   | 33.1 |       |
|                 | 60                     | 71.1   | 9.40                         | 32.6 | 67.0 | 8.64 | 33.0 | 63.0 | 7.91 | 33.4 | 61.0  | 7.56 | 33.6 | 59.0  | 7.22 | 33.8 | 54.9 | 6.54 | 34.2 | 54.9  | 6.54 | 34.2 | 54.9  | 6.54   | 34.2 |       |
|                 | 96                     | 71.1   | 9.15                         | 35.4 | 67.0 | 8.41 | 35.6 | 63.0 | 7.71 | 35.9 | 61.0  | 7.37 | 36.0 | 59.0  | 7.04 | 36.1 | 54.9 | 6.38 | 36.4 | 54.9  | 6.38 | 36.4 | 54.9  | 6.38   | 36.4 |       |
| 45              | 50                     | 71.1   | 9.08                         | 36.3 | 67.0 | 8.34 | 36.5 | 63.0 | 7.65 | 36.7 | 61.0  | 7.31 | 36.8 | 59.0  | 6.98 | 36.9 | 54.9 | 6.33 | 37.1 | 54.9  | 6.33 | 37.1 | 54.9  | 6.33   | 37.1 |       |
|                 | 60                     | 71.1   | 9.21                         | 36.1 | 67.0 | 8.48 | 36.6 | 63.0 | 7.79 | 37.1 | 61.0  | 7.44 | 37.3 | 59.0  | 7.11 | 37.6 | 54.9 | 6.44 | 38.1 | 54.9  | 6.44 | 38.1 | 54.9  | 6.44   | 38.1 |       |
|                 | 96                     | 71.1   | 8.89                         | 40.4 | 67.0 | 8.19 | 40.6 | 63.0 | 7.52 | 40.9 | 61.0  | 7.19 | 41.0 | 59.0  | 6.86 | 41.1 | 54.9 | 6.22 | 41.4 | 54.9  | 6.22 | 41.4 | 54.9  | 6.22   | 41.4 |       |
| 90              | 10                     | 50   | 34.1                         | 5.7  | 5.92 | 34.3 | 5.6  | 5.89 | 34.4 | 5.6  | 5.88  | 34.4 | 5.7  | 5.88  | 34.4 | 5.7  | 5.89 | 34.3 | 5.9  | 5.92  | 34.3 | 5.9  | 5.92  | 34.3   | 5.9  | 5.92  |
|                 |                        | 60   | 39.4                         | 6.8  | 6.10 | 39.4 | 6.9  | 6.11 | 39.3 | 7.0  | 6.14  | 39.2 | 7.1  | 6.16  | 39.2 | 7.2  | 6.18 | 38.9 | 7.4  | 6.24  | 38.9 | 7.4  | 6.24  | 38.9   | 7.4  | 6.24  |
|                 |                        | 96   | 50.6                         | 10.2 | 6.98 | 50.3 | 10.5 | 7.03 | 49.9 | 10.8 | 7.08  | 49.7 | 11.0 | 7.11  | 49.5 | 11.2 | 7.14 | 49.0 | 11.6 | 7.21  | 49.0 | 11.6 | 7.21  | 49.0   | 11.6 | 7.21  |
|                 | 15                     | 50   | 52.7                         | 10.7 | 8.98 | 52.4 | 11.0 | 9.08 | 52.0 | 11.4 | 9.19  | 51.7 | 11.6 | 9.25  | 51.5 | 11.8 | 9.3  | 49.4 | 11.4 | 9.5   | 49.4 | 11.4 | 9.5   | 49.4   | 11.4 | 9.5   |
|                 |                        | 60   | 54.0                         | 10.9 | 9.85 | 53.6 | 11.2 | 9.93 | 53.2 | 11.6 | 10.03 | 52.9 | 11.8 | 10.08 | 52.7 | 12.0 | 10.1 | 49.4 | 10.9 | 10.4  | 49.4 | 10.9 | 10.4  | 49.4   | 10.9 | 10.4  |
|                 |                        | 96   | 57.4                         | 11.3 | 11.6 | 56.9 | 11.6 | 11.6 | 56.4 | 12.0 | 11.7  | 54.9 | 11.6 | 11.8  | 53.1 | 11.0 | 11.9 | 49.4 | 9.85 | 12.0  | 49.4 | 9.85 | 12.0  | 49.4   | 9.85 | 12.0  |
|                 | 20                     | 50   | 61.7                         | 11.8 | 12.8 | 60.3 | 11.8 | 13.0 | 56.7 | 10.7 | 13.4  | 54.9 | 10.2 | 13.6  | 53.1 | 9.67 | 13.8 | 49.4 | 8.70 | 14.2  | 49.4 | 8.70 | 14.2  | 49.4   | 8.70 | 14.2  |
|                 |                        | 60   | 62.1                         | 11.9 | 14.0 | 60.3 | 11.6 | 14.2 | 56.7 | 10.6 | 14.5  | 54.9 | 10.1 | 14.6  | 53.1 | 9.57 | 14.8 | 49.4 | 8.61 | 15.1  | 49.4 | 8.61 | 15.1  | 49.4   | 8.61 | 15.1  |
|                 |                        | 96   | 63.1                         | 12.0 | 16.2 | 60.3 | 11.3 | 16.3 | 56.7 | 10.3 | 16.5  | 54.9 | 9.79 | 16.6  | 53.1 | 9.31 | 16.7 | 49.4 | 8.38 | 16.9  | 49.4 | 8.38 | 16.9  | 49.4   | 8.38 | 16.9  |
|                 | 25                     | 50   | 64.0                         | 11.0 | 17.4 | 60.3 | 10.1 | 17.8 | 56.7 | 9.18 | 18.2  | 54.9 | 8.75 | 18.4  | 53.1 | 8.33 | 18.6 | 49.4 | 7.52 | 19.0  | 49.4 | 7.52 | 19.0  | 49.4   | 7.52 | 19.0  |
|                 |                        | 60   | 64.0                         | 10.9 | 18.7 | 60.3 | 9.97 | 19.0 | 56.7 | 9.09 | 19.3  | 54.9 | 8.66 | 19.5  | 53.1 | 8.24 | 19.6 | 49.4 | 7.45 | 20.0  | 49.4 | 7.45 | 20.0  | 49.4   | 7.45 | 20.0  |
|                 |                        | 96   | 64.0                         | 10.6 | 21.0 | 60.3 | 9.70 | 21.2 | 56.7 | 8.84 | 21.4  | 54.9 | 8.43 | 21.5  | 53.1 | 8.03 | 21.6 | 49.4 | 7.26 | 21.9  | 49.4 | 7.26 | 21.9  | 49.4   | 7.26 | 21.9  |
| 30              | 50                     | 64.0   | 9.57                         | 22.2 | 60.3 | 8.77 | 22.6 | 56.7 | 8.01 | 23.0 | 54.9  | 7.65 | 23.2 | 53.1  | 7.29 | 23.4 | 49.4 | 6.61 | 23.9 | 49.4  | 6.61 | 23.9 | 49.4  | 6.61   | 23.9 |       |
|                 | 60                     | 64.0   | 9.46                         | 23.5 | 60.3 | 8.68 | 23.8 | 56.7 | 7.93 | 24.2 | 54.9  | 7.57 | 24.4 | 53.1  | 7.22 | 24.5 | 49.4 | 6.54 | 24.9 | 49.4  | 6.54 | 24.9 | 49.4  | 6.54   | 24.9 |       |
|                 | 96                     | 64.0   | 9.21                         | 25.9 | 60.3 | 8.45 | 26.1 | 56.7 | 7.72 | 26.3 | 54.9  | 7.38 | 26.5 | 53.1  | 7.04 | 26.6 | 49.4 | 6.38 | 26.8 | 49.4  | 6.38 | 26.8 | 49.4  | 6.38   | 26.8 |       |
| 35              | 50                     | 64.0   | 9.13                         | 26.7 | 60.3 | 8.38 | 26.9 | 56.7 | 7.66 | 27.1 | 54.9  | 7.31 | 27.2 | 53.1  | 6.98 | 27.2 | 49.4 | 6.33 | 27.4 | 49.4  | 6.33 | 27.4 | 49.4  | 6.33   | 27.4 |       |
|                 | 60                     | 64.0   | 8.42                         | 27.0 | 60.3 | 7.74 | 27.5 | 56.7 | 7.09 | 27.9 | 54.9  | 6.77 | 28.1 | 53.1  | 6.47 | 28.3 | 49.4 | 5.88 | 28.8 | 49.4  | 5.88 | 28.8 | 49.4  | 5.88   | 28.8 |       |
|                 | 96                     | 64.0   | 8.33                         | 28.4 | 60.3 | 7.66 | 28.7 | 56.7 | 7.02 | 29.1 | 54.9  | 6.71 | 29.2 | 53.1  | 6.41 | 29.4 | 49.4 | 5.83 | 29.8 | 49.4  | 5.83 | 29.8 | 49.4  | 5.83   | 29.8 |       |
| 40              | 50                     | 64.0   | 8.11                         | 30.8 | 60.3 | 7.46 | 31.1 | 56.7 | 6.84 | 31.3 | 54.9  | 6.54 | 53.1 | 6.25  | 31.5 | 49.4 | 5.69 | 31.7 | 49.4 | 5.69  | 31.7 | 49.4 | 5.69  | 31.7   |      |       |
|                 | 60                     | 64.0   | 8.04                         | 31.7 | 60.3 | 7.40 | 31.8 | 56.7 | 6.78 | 32.0 | 54.9  | 6.49 | 53.1 | 6.20  | 32.2 | 49.4 | 5.64 | 32.4 | 49.4 | 5.64  | 32.4 | 49.4 | 5.64  | 32.4   |      |       |
|                 | 96                     | 64.0   | 8.17                         | 32.0 | 60.3 | 7.53 | 32.4 | 56.7 | 6.91 | 32.9 | 54.9  | 6.60 | 53.1 | 6.31  | 33.3 | 49.4 | 5.73 | 33.7 | 49.4 | 5.73  | 33.7 | 49.4 | 5.73  | 33.7   |      |       |
| 45              | 50                     | 64.0   | 8.08                         | 33.3 | 60.3 | 7.45 | 33.7 | 56.7 | 6.84 | 34.0 | 54.9  | 6.54 | 53.1 | 6.25  | 34.4 | 49.4 | 5.68 | 34.8 | 49.4 | 5.68  | 34.8 | 49.4 | 5.68  | 34.8   |      |       |
|                 | 60                     | 64.0   | 7.88                         | 35.8 | 60.3 | 7.27 | 36.0 | 56.7 | 6.67 | 36.3 | 54.9  | 6.38 | 53.1 | 6.09  | 36.5 | 49.4 | 5.55 | 36.7 | 49.4 | 5.55  | 36.7 | 49.4 | 5.55  | 36.7   |      |       |
|                 | 96                     | 64.0   | 7.81                         | 36.6 | 60.3 | 7.21 | 36.8 | 56.7 | 6.61 | 37.0 | 54.9  | 6.33 | 53.1 | 6.04  | 37.2 | 49.4 | 5.50 | 37.4 | 49.4 | 5.50  | 37.4 | 49.4 | 5.50  | 37.4   |      |       |
| 80              | 10                     | 50   | 64.0                         | 7.95 | 37.0 | 60.3 | 7.34 | 37.4 | 56.7 | 6.74 | 37.8  | 54.9 | 6.44 | 53.1  | 6.15 | 38.2 | 49.4 | 5.59 | 38.7 | 49.4  | 5.59 | 38.7 | 49.4  | 5.59</ |      |       |

# 4 Capacity tables

## 4 - 3 Heating capacity tables

| RWEYQ20PY1      |                        |                            | TC: Total Capacity: kW ; PI: Power Input: kW (compressor + outdoor fan motor) ; OWT: Outlet Water Temperatur: °C |      |      |      |       |      |      |      |       |      |      |      |      |      |      |      |      |      |  |  |  |  |  |  |
|-----------------|------------------------|----------------------------|--|------|------|------|-------|------|------|------|-------|------|------|------|------|------|------|------|------|------|--|--|--|--|--|--|
| Combination (%) | Inlet Water Temp. (°C) | Water Volume (note2) L/min | Indoor air temperature: °CWB   |      |      |      |       |      |      |      |       |      |      |      |      |      |      |      |      |      |  |  |  |  |  |  |
|                 |                        |                            | 16.0   |      |      | 18.0 |       |      | 20.0 |      |       | 21.0 |      |      | 22.0 |      |      | 24.0 |      |      |  |  |  |  |  |  |
|                 |                        |                            | TC   | PI   | OWT  | TC   | PI    | OWT  | TC   | PI   | OWT   | TC   | PI   | OWT  | TC   | PI   | OWT  | TC   | PI   | OWT  |  |  |  |  |  |  |
| 70              | 10                     | 50                         | 34.4   | 5.8  | 5.91 | 34.2 | 6.0   | 5.95 | 34.1 | 6.1  | 6.00  | 34.0 | 6.24 | 6.03 | 33.9 | 6.35 | 6.06 | 33.6 | 6.58 | 6.13 |  |  |  |  |  |  |
|                 |                        | 60                         | 39.0   | 7.4  | 6.23 | 38.7 | 7.6   | 6.28 | 38.4 | 7.9  | 6.35  | 38.3 | 7.99 | 6.38 | 38.1 | 8.13 | 6.42 | 37.7 | 8.44 | 6.50 |  |  |  |  |  |  |
|                 |                        | 96                         | 49.0   | 11.6 | 7.20 | 46.9 | 10.9  | 7.31 | 44.1 | 9.95 | 7.45  | 42.7 | 9.47 | 7.52 | 41.3 | 9.00 | 7.59 | 38.4 | 8.11 | 7.74 |  |  |  |  |  |  |
|                 |                        | 120                        | 49.8   | 11.6 | 7.72 | 46.9 | 10.6  | 7.83 | 44.1 | 9.62 | 7.94  | 42.7 | 9.16 | 8.00 | 41.3 | 8.71 | 8.06 | 38.4 | 7.86 | 8.17 |  |  |  |  |  |  |
|                 | 15                     | 50                         | 49.8   | 11.5 | 9.51 | 46.9 | 10.49 | 9.78 | 44.1 | 9.55 | 10.05 | 42.7 | 9.09 | 10.2 | 41.3 | 8.65 | 10.3 | 38.4 | 7.80 | 10.6 |  |  |  |  |  |  |
|                 |                        | 60                         | 49.8   | 11.0 | 10.4 | 46.9 | 10.08 | 10.6 | 44.1 | 9.18 | 10.8  | 42.7 | 8.75 | 10.9 | 41.3 | 8.32 | 11.1 | 38.4 | 7.51 | 11.3 |  |  |  |  |  |  |
|                 |                        | 96                         | 49.8   | 9.95 | 12.0 | 46.9 | 9.12  | 12.2 | 44.1 | 8.32 | 12.3  | 42.7 | 7.94 | 12.4 | 41.3 | 7.56 | 12.5 | 38.4 | 6.84 | 12.6 |  |  |  |  |  |  |
|                 |                        | 120                        | 49.8   | 9.62 | 12.6 | 46.9 | 8.82  | 12.7 | 44.1 | 8.05 | 12.8  | 42.7 | 7.68 | 12.9 | 41.3 | 7.32 | 13.0 | 38.4 | 6.63 | 13.1 |  |  |  |  |  |  |
|                 | 20                     | 50                         | 49.8   | 8.79 | 14.1 | 46.9 | 8.07  | 14.4 | 44.1 | 7.39 | 14.7  | 42.7 | 7.06 | 14.9 | 41.3 | 6.73 | 15.1 | 38.4 | 6.11 | 15.4 |  |  |  |  |  |  |
|                 |                        | 60                         | 49.8   | 8.70 | 15.1 | 46.9 | 7.99  | 15.3 | 44.1 | 7.31 | 15.6  | 42.7 | 6.99 | 15.7 | 41.3 | 6.67 | 15.9 | 38.4 | 6.05 | 16.1 |  |  |  |  |  |  |
|                 |                        | 96                         | 49.8   | 8.47 | 16.9 | 46.9 | 7.78  | 17.1 | 44.1 | 7.13 | 17.2  | 42.7 | 6.81 | 17.3 | 41.3 | 6.50 | 17.4 | 38.4 | 5.91 | 17.6 |  |  |  |  |  |  |
|                 |                        | 120                        | 49.8   | 8.40 | 17.5 | 46.9 | 7.72  | 17.7 | 44.1 | 7.07 | 17.8  | 42.7 | 6.75 | 17.9 | 41.3 | 6.45 | 17.9 | 38.4 | 5.86 | 18.1 |  |  |  |  |  |  |
| 25              | 50                     | 49.8                       | 7.60   | 19.0 | 46.9 | 7.00 | 19.3  | 44.1 | 6.42 | 19.6 | 42.7  | 6.15 | 19.8 | 41.3 | 5.88 | 19.9 | 38.4 | 5.36 | 20.3 |      |  |  |  |  |  |  |
|                 | 60                     | 49.8                       | 7.52   | 20.0 | 46.9 | 6.93 | 20.2  | 44.1 | 6.36 | 20.5 | 42.7  | 6.09 | 20.6 | 41.3 | 5.82 | 20.8 | 38.4 | 5.31 | 21.0 |      |  |  |  |  |  |  |
|                 | 96                     | 49.8                       | 7.33   | 21.8 | 46.9 | 6.76 | 22.0  | 44.1 | 6.21 | 22.2 | 42.7  | 5.94 | 22.3 | 41.3 | 5.68 | 22.3 | 38.4 | 5.19 | 22.5 |      |  |  |  |  |  |  |
|                 | 120                    | 49.8                       | 7.27   | 22.5 | 46.9 | 6.70 | 22.6  | 44.1 | 6.16 | 22.7 | 42.7  | 5.90 | 22.8 | 41.3 | 5.64 | 22.9 | 38.4 | 5.15 | 23.0 |      |  |  |  |  |  |  |
| 30              | 50                     | 49.8                       | 6.67   | 23.8 | 46.9 | 6.16 | 24.2  | 44.1 | 5.67 | 24.5 | 42.7  | 5.44 | 24.7 | 41.3 | 5.21 | 24.8 | 38.4 | 4.77 | 25.2 |      |  |  |  |  |  |  |
|                 | 60                     | 49.8                       | 6.61   | 24.8 | 46.9 | 6.10 | 25.1  | 44.1 | 5.62 | 25.4 | 42.7  | 5.39 | 25.5 | 41.3 | 5.16 | 25.7 | 38.4 | 4.73 | 26.0 |      |  |  |  |  |  |  |
|                 | 96                     | 49.8                       | 6.44   | 26.8 | 46.9 | 5.96 | 26.9  | 44.1 | 5.49 | 27.1 | 42.7  | 5.27 | 27.2 | 41.3 | 5.05 | 27.3 | 38.4 | 4.62 | 27.5 |      |  |  |  |  |  |  |
|                 | 120                    | 49.8                       | 6.39   | 27.4 | 46.9 | 5.91 | 27.6  | 44.1 | 5.45 | 27.7 | 42.7  | 5.23 | 27.8 | 41.3 | 5.01 | 27.8 | 38.4 | 4.59 | 28.0 |      |  |  |  |  |  |  |
| 35              | 50                     | 49.8                       | 5.94   | 28.7 | 46.9 | 5.50 | 29.1  | 44.1 | 5.08 | 29.4 | 42.7  | 4.88 | 29.6 | 41.3 | 4.68 | 29.8 | 38.4 | 4.30 | 30.1 |      |  |  |  |  |  |  |
|                 | 60                     | 49.8                       | 5.88   | 29.8 | 46.9 | 5.45 | 30.0  | 44.1 | 5.04 | 30.3 | 42.7  | 4.84 | 30.5 | 41.3 | 4.64 | 30.6 | 38.4 | 4.26 | 30.9 |      |  |  |  |  |  |  |
|                 | 96                     | 49.8                       | 5.74   | 31.7 | 46.9 | 5.32 | 31.9  | 44.1 | 4.92 | 32.1 | 42.7  | 4.73 | 32.2 | 41.3 | 4.54 | 32.3 | 38.4 | 4.17 | 32.4 |      |  |  |  |  |  |  |
|                 | 120                    | 49.8                       | 5.70   | 32.4 | 46.9 | 5.28 | 32.5  | 44.1 | 4.89 | 32.7 | 42.7  | 4.69 | 32.7 | 41.3 | 4.51 | 32.8 | 38.4 | 4.15 | 33.0 |      |  |  |  |  |  |  |
| 40              | 50                     | 49.8                       | 5.79   | 33.7 | 46.9 | 5.36 | 34.0  | 44.1 | 4.95 | 34.4 | 42.7  | 4.76 | 34.6 | 41.3 | 4.56 | 34.7 | 38.4 | 4.19 | 35.1 |      |  |  |  |  |  |  |
|                 | 60                     | 49.8                       | 5.73   | 34.7 | 46.9 | 5.31 | 35.0  | 44.1 | 4.91 | 35.3 | 42.7  | 4.71 | 35.5 | 41.3 | 4.52 | 35.6 | 38.4 | 4.16 | 35.9 |      |  |  |  |  |  |  |
|                 | 96                     | 49.8                       | 5.60   | 36.7 | 46.9 | 5.19 | 36.9  | 44.1 | 4.80 | 37.1 | 42.7  | 4.61 | 37.2 | 41.3 | 4.43 | 37.3 | 38.4 | 4.07 | 37.4 |      |  |  |  |  |  |  |
|                 | 120                    | 49.8                       | 5.55   | 37.4 | 46.9 | 5.15 | 37.5  | 44.1 | 4.76 | 37.7 | 42.7  | 4.58 | 37.7 | 41.3 | 4.39 | 37.8 | 38.4 | 4.04 | 37.9 |      |  |  |  |  |  |  |
| 45              | 50                     | 49.8                       | 5.64   | 38.7 | 46.9 | 5.23 | 39.0  | 44.1 | 4.83 | 39.4 | 42.7  | 4.64 | 39.5 | 41.3 | 4.45 | 39.7 | 38.4 | 4.09 | 40.1 |      |  |  |  |  |  |  |
|                 | 60                     | 49.8                       | 5.59   | 39.7 | 46.9 | 5.18 | 40.0  | 44.1 | 4.79 | 40.3 | 42.7  | 4.60 | 40.5 | 41.3 | 4.41 | 40.6 | 38.4 | 4.05 | 40.9 |      |  |  |  |  |  |  |
|                 | 96                     | 49.8                       | 5.46   | 41.7 | 46.9 | 5.06 | 41.9  | 44.1 | 4.68 | 42.1 | 42.7  | 4.49 | 42.2 | 41.3 | 4.32 | 42.2 | 38.4 | 3.97 | 42.4 |      |  |  |  |  |  |  |
|                 | 120                    | 49.8                       | 5.42   | 42.4 | 46.9 | 5.02 | 42.5  | 44.1 | 4.64 | 42.6 | 42.7  | 4.46 | 42.7 | 41.3 | 4.28 | 42.8 | 38.4 | 3.94 | 42.9 |      |  |  |  |  |  |  |
| 60              | 10                     | 50                         | 34.0   | 6.24 | 6.03 | 33.8 | 6.43  | 6.08 | 33.5 | 6.64 | 6.15  | 33.4 | 6.75 | 6.19 | 33.2 | 6.88 | 6.22 | 32.9 | 7.13 | 6.31 |  |  |  |  |  |  |
|                 |                        | 60                         | 38.3   | 7.99 | 6.38 | 38.0 | 8.24  | 6.45 | 37.7 | 8.51 | 6.52  | 36.6 | 8.17 | 6.61 | 35.4 | 7.75 | 6.70 | 32.9 | 6.96 | 6.90 |  |  |  |  |  |  |
|                 |                        | 96                         | 42.7   | 9.46 | 7.52 | 40.2 | 8.67  | 7.64 | 37.8 | 7.92 | 7.77  | 36.6 | 7.55 | 7.83 | 35.4 | 7.20 | 7.90 | 32.9 | 6.52 | 8.03 |  |  |  |  |  |  |
|                 |                        | 120                        | 42.7   | 9.15 | 8.00 | 40.2 | 8.40  | 8.10 | 37.8 | 7.68 | 8.20  | 36.6 | 7.33 | 8.25 | 35.4 | 6.99 | 8.31 | 32.9 | 6.34 | 8.41 |  |  |  |  |  |  |
|                 | 15                     | 50                         | 42.7   | 9.09 | 10.2 | 40.2 | 8.34  | 10.4 | 37.8 | 7.62 | 10.7  | 36.6 | 7.28 | 10.8 | 35.4 | 6.94 | 10.9 | 32.9 | 6.29 | 11.2 |  |  |  |  |  |  |
|                 |                        | 60                         | 42.7   | 8.74 | 10.9 | 40.2 | 8.02  | 11.2 | 37.8 | 7.34 | 11.4  | 36.6 | 7.01 | 11.5 | 35.4 | 6.69 | 11.6 | 32.9 | 6.07 | 11.8 |  |  |  |  |  |  |
|                 |                        | 96                         | 42.7   | 7.93 | 12.4 | 40.2 | 7.29  | 12.5 | 37.8 | 6.69 | 12.7  | 36.6 | 6.40 | 12.7 | 35.4 | 6.11 | 12.8 | 32.9 | 5.56 | 13.0 |  |  |  |  |  |  |
|                 |                        | 120                        | 42.7   | 7.68 | 12.9 | 40.2 | 7.07  | 13.0 | 37.8 | 6.49 | 13.1  | 36.6 | 6.20 | 13.2 | 35.4 | 5.93 | 13.2 | 32.9 | 5.40 | 13.4 |  |  |  |  |  |  |
|                 | 20                     | 50                         | 42.7   | 7.05 | 14.9 | 40.2 | 6.50  | 15.2 | 37.8 | 5.98 | 15.4  | 36.6 | 5.73 | 15.6 | 35.4 | 5.48 | 15.7 | 32.9 | 5.01 | 16.0 |  |  |  |  |  |  |
|                 |                        | 60                         | 42.7   | 6.98 | 15.7 | 40.2 | 6.44  | 16.0 | 37.8 | 5.92 | 16.2  | 36.6 | 5.67 | 16.3 | 35.4 | 5.43 | 16.4 | 32.9 | 4.96 | 16.7 |  |  |  |  |  |  |
|                 |                        | 96                         | 42.7   | 6.80 | 17.3 | 40.2 | 6.28  | 17.5 | 37.8 | 5.78 | 17.6  | 36.6 | 5.54 | 17.7 | 35.4 | 5.30 | 17.8 | 32.9 | 4.85 | 17.9 |  |  |  |  |  |  |
|                 |                        | 120                        | 42.7   | 6.75 | 17.9 | 40.2 | 6.23  | 18.0 | 37.8 | 5.74 | 18.1  | 36.6 | 5.50 | 18.1 | 35.4 | 5.26 | 18.2 | 32.9 | 4.81 | 18.3 |  |  |  |  |  |  |
| 25              | 50                     | 42.7                       | 6.14   | 19.8 | 40.2 | 5.68 | 20.0  | 37.8 | 5.24 | 20.3 | 36.6  | 5.03 | 20.5 | 35.4 | 4.83 | 20.6 | 32.9 | 4.43 | 20.9 |      |  |  |  |  |  |  |
|                 | 60                     | 42.7                       | 6.08   | 20.6 | 40.2 | 5.63 | 20.9  | 37.8 | 5.20 | 21.1 | 36.6  | 4.99 | 21.2 | 35.4 | 4.78 | 21.3 | 32.9 | 4.39 | 21.6 |      |  |  |  |  |  |  |
|                 | 96                     | 42.7                       | 5.94   | 22.3 | 40.2 | 5.50 | 22.4  | 37.8 | 5.08 | 22.6 | 36.6  | 4.88 | 22.6 | 35.4 | 4.68 | 22.7 | 32.9 | 4.30 | 22.9 |      |  |  |  |  |  |  |
|                 | 120                    | 42.7                       | 5.89   | 22.8 | 40.2 | 5.46 | 22.9  | 37.8 | 5.04 | 23.0 | 36.6  | 4.84 | 23.1 | 35.4 | 4.64 | 23.2 | 32.9 | 4.27 | 23.3 |      |  |  |  |  |  |  |
| 30              | 50                     | 42.7                       | 5.44   | 24.7 | 40.2 | 5.05 | 25.0  | 37.8 | 4.67 | 25.3 | 36.6  | 4.49 | 25.4 | 35.4 | 4.32 | 25.5 | 32.9 | 3.97 | 25.8 |      |  |  |  |  |  |  |
|                 | 60                     | 42.7                       | 5.39   | 25.5 | 40.2 | 5.00 | 25.8  | 37.8 | 4.63 | 26.0 | 36.6  | 4.45 | 26.2 | 35.4 | 4.28 | 26.3 | 32.9 | 3.94 | 26.5 |      |  |  |  |  |  |  |
|                 | 96                     | 42.7                       | 5.26   | 27.2 | 40.2 | 4.89 | 27.4  | 37.8 | 4.53 | 27.5 | 36.6  | 4.36 | 27.6 | 35.4 | 4.19 | 27.7 | 32.9 | 3.86 | 27.8 |      |  |  |  |  |  |  |
|                 | 120                    | 42.7                       | 5.22   | 27.8 | 40.2 | 4.85 | 27.9  | 37.8 | 4.50 | 28.0 | 36.6  | 4.33 | 28.1 | 35.4 | 4.16 | 28.1 | 32.9 | 3.84 | 28.3 |      |  |  |  |  |  |  |
| 35              | 50                     | 42.7                       | 4.87   | 29.6 | 40.2 | 4.54 | 29.7  | 37.8 | 4.22 | 30.2 | 36.6  | 4.06 | 30.3 | 35.4 | 3.91 | 30.5 | 32.9 | 3.62 | 30.8 |      |  |  |  |  |  |  |
|                 | 60                     | 42.7                       | 4.83   | 30.5 | 40.2 | 4.50 | 30.7  | 37.8 | 4.18 | 31.0 | 36.6  | 4.03 | 31.1 | 35.4 | 3.88 | 31.2 | 32.9 | 3.59 | 31.5 |      |  |  |  |  |  |  |
|                 | 96                     | 42.7                       | 4.72   | 32.2 | 40.2 | 4.40 | 32.3  | 37.8 | 4.10 | 32.5 | 36.6  | 3.95 | 32.6 | 35.4 | 3.80 | 32.6 | 32.9 | 3.52 | 32.8 |      |  |  |  |  |  |  |
|                 | 120                    | 42.7                       | 4.69   | 32.7 | 40.2 | 4.37 | 32.9  | 37.8 | 4.07 | 33.0 | 36.6  | 3.92 | 33.1 | 35.4 | 3.78 | 33.1 | 32.9 | 3.50 | 33.2 |      |  |  |  |  |  |  |
| 40              | 50                     | 42.7                       | 4.75   | 34.6 | 40.2 | 4.43 | 34.9  | 37.8 | 4.11 | 35.2 | 36.6  | 3.96 | 35.3 | 35.4 | 3.81 | 35.5 | 32.9 | 3.52 | 35.8 |      |  |  |  |  |  |  |
|                 | 60                     | 42.7                       | 4.71   | 35.5 | 40.2 | 4.39 | 35.7  | 37.8 | 4.08 | 36.0 | 36.6  | 3.93 | 36.1 | 35.4 | 3.78 | 36.2 | 32.9 | 3.50 | 36.5 |      |  |  |  |  |  |  |
|                 | 96                     | 42.7                       | 4.61   | 37.2 | 40.2 | 4.29 | 37.3  | 37.8 | 3.99 | 37.5 | 36.6  | 3.85 | 37.6 | 35.4 | 3.71 | 37.6 | 32.9 | 3.43 | 37.8 |      |  |  |  |  |  |  |
|                 | 120                    | 42.7                       | 4.57   | 37.7 | 40.2 | 4.26 | 37.9  | 37.8 | 3.97 | 38.0 | 36.6  | 3.82 | 38.0 | 35.4 | 3.68 | 38.1 | 32.9 | 3.41 | 38.2 |      |  |  |  |  |  |  |
| 45              | 50                     | 42.7                       | 4.63   | 39.6 | 40.2 | 4.31 | 39.9  | 37.8 | 4.01 | 40.2 | 36.6  | 3.86 | 40.3 | 35.4 | 3.72 | 40.5 | 32.9 | 3.44 | 40.8 |      |  |  |  |  |  |  |
|                 | 60                     | 42.7                       | 4.59   | 40.5 | 40.2 | 4.28 | 40.7  | 37.8 | 3.98 | 41.0 | 36.6  | 3.83 | 41.1 | 35.4 | 3.69 | 41.2 | 32.9 | 3.41 | 41.5 |      |  |  |  |  |  |  |
|                 | 96                     | 42.7                       | 4.49   | 42.2 | 40.2 | 4.19 | 42.3  | 37.8 | 3.89 | 42.5 | 36.6  | 3.75 | 42.5 | 35.4 | 3.61 | 42.6 | 32.9 | 3.34 | 42.8 |      |  |  |  |  |  |  |
|                 | 120                    | 42.7                       | 4.46   | 42.7 | 40.2 | 4.16 | 42.8  | 37.8 | 3.87 | 43.0 | 36.6  | 3.73 | 43.0 | 35.4 | 3.59 | 43.1 | 32.9 | 3.32 | 43.2 |      |  |  |  |  |  |  |
| 50              | 10                     | 50                         | 33.2   | 6.86 | 6.22 | 33.0 | 7.07  | 6.29 | 31.5 | 6.68 | 6.44  | 30.5 | 6.35 | 6.54 | 29.5 | 6.04 | 6.64 | 27.5 | 5.42 | 6.84 |  |  |  |  |  |  |
|                 |                        | 60                         | 35.5   | 7.81 | 6.69 | 33.5 | 7.14  | 6.85 | 31.5 | 6.51 | 7.01  | 30.5 | 6.20 |      |      |      |      |      |      |      |  |  |  |  |  |  |

# 4 Capacity tables

## 4 - 3 Heating capacity tables

| RWEYQ24PY1      |                        |                            | TC: Total Capacity: kW ; PI: Power Input: kW (compressor + outdoor fan motor) ; OWT: Outlet Water Temperatur: °C |      |      |      |      |      |      |      |      |      |      |       |      |      |       |      |      |       |
|-----------------|------------------------|----------------------------|--|------|------|------|------|------|------|------|------|------|------|-------|------|------|-------|------|------|-------|
| Combination (%) | Inlet Water Temp. (°C) | Water Volume (note2) L/min | Indoor air temperature: °CWB   |      |      |      |      |      |      |      |      |      |      |       |      |      |       |      |      |       |
|                 |                        |                            | 16.0   |      |      | 18.0 |      |      | 20.0 |      |      | 21.0 |      |       | 22.0 |      |       | 24.0 |      |       |
|                 |                        |                            | TC   | PI   | OWT  | TC   | PI   | OWT  | TC   | PI   | OWT  | TC   | PI   | OWT   | TC   | PI   | OWT   | TC   | PI   | OWT   |
| 130             | 10                     | 50                         | 35.2   | 8.20 | 7.42 | 36.7 | 7.52 | 7.21 | 38.0 | 7.0  | 7.04 | 38.5 | 6.7  | 6.96  | 39.0 | 6.5  | 6.90  | 39.8 | 6.2  | 6.79  |
|                 |                        | 60                         | 43.7   | 8.19 | 7.17 | 44.7 | 7.75 | 7.05 | 45.6 | 7.4  | 6.96 | 45.9 | 7.3  | 6.93  | 46.2 | 7.2  | 6.89  | 46.6 | 7.1  | 6.85  |
|                 |                        | 96                         | 60.6   | 9.68 | 7.47 | 60.9 | 9.67 | 7.45 | 61.0 | 9.8  | 7.45 | 61.0 | 9.8  | 7.45  | 60.9 | 9.9  | 7.46  | 60.7 | 10.2 | 7.48  |
|                 | 15                     | 50                         | 63.7   | 10.0 | 9.86 | 63.9 | 10.0 | 9.85 | 63.8 | 10.1 | 9.87 | 63.8 | 10.3 | 9.88  | 63.7 | 10.4 | 9.88  | 63.4 | 10.7 | 9.96  |
|                 |                        | 60                         | 65.5   | 10.0 | 10.6 | 65.6 | 10.1 | 10.6 | 65.6 | 10.2 | 10.6 | 65.5 | 10.4 | 10.6  | 65.3 | 10.5 | 10.6  | 65.0 | 10.8 | 10.7  |
|                 |                        | 96                         | 70.3   | 10.1 | 12.0 | 70.2 | 10.3 | 12.0 | 70.0 | 10.5 | 12.0 | 69.8 | 10.7 | 12.1  | 69.6 | 10.8 | 12.1  | 69.2 | 11.2 | 12.1  |
|                 | 20                     | 50                         | 76.3   | 10.4 | 13.7 | 76.1 | 10.7 | 13.8 | 75.7 | 11.0 | 13.8 | 75.5 | 11.1 | 13.9  | 75.2 | 11.3 | 13.9  | 74.6 | 11.8 | 14.0  |
|                 |                        | 60                         | 76.9   | 10.4 | 14.7 | 76.6 | 10.7 | 14.8 | 76.2 | 11.0 | 14.8 | 76.0 | 11.2 | 14.8  | 75.7 | 11.4 | 14.9  | 75.1 | 11.8 | 15.0  |
|                 |                        | 96                         | 78.3   | 10.5 | 16.6 | 77.9 | 10.8 | 16.7 | 77.5 | 11.1 | 16.7 | 77.2 | 11.3 | 16.7  | 77.0 | 11.5 | 16.7  | 76.3 | 11.9 | 16.8  |
|                 | 25                     | 50                         | 84.1   | 10.9 | 18.0 | 83.6 | 11.2 | 18.1 | 83.1 | 11.6 | 18.2 | 82.7 | 11.8 | 18.2  | 82.4 | 12.0 | 18.3  | 81.6 | 12.5 | 18.4  |
|                 |                        | 60                         | 84.7   | 11.0 | 19.1 | 84.2 | 11.3 | 19.2 | 83.6 | 11.6 | 19.3 | 83.3 | 11.8 | 19.3  | 82.9 | 12.1 | 19.4  | 82.1 | 12.5 | 19.5  |
|                 |                        | 96                         | 86.1   | 11.1 | 21.3 | 85.6 | 11.4 | 21.3 | 85.0 | 11.8 | 21.4 | 84.7 | 12.0 | 21.4  | 84.3 | 12.2 | 21.4  | 83.5 | 12.6 | 21.5  |
| 30              | 50                     | 91.8                       | 11.5   | 22.3 | 91.1 | 11.9 | 22.0 | 90.4 | 12.3 | 22.5 | 90.0 | 12.5 | 22.6 | 89.6  | 12.7 | 22.7 | 88.9  | 11.9 | 23.0 |       |
|                 | 60                     | 92.4                       | 11.6   | 23.6 | 91.7 | 11.9 | 23.6 | 91.0 | 12.3 | 23.7 | 90.6 | 12.5 | 23.8 | 90.1  | 12.7 | 23.8 | 89.0  | 11.7 | 24.2 |       |
|                 | 96                     | 93.9                       | 11.7   | 25.9 | 93.2 | 12.0 | 26.0 | 92.5 | 12.4 | 26.0 | 92.0 | 12.6 | 26.0 | 91.2  | 12.7 | 26.1 | 89.0  | 11.4 | 26.3 |       |
| 35              | 50                     | 99.4                       | 12.1   | 26.7 | 98.6 | 12.5 | 26.8 | 97.5 | 12.8 | 26.9 | 94.4 | 12.2 | 27.1 | 91.2  | 11.6 | 27.4 | 85.0  | 10.4 | 27.9 |       |
|                 | 60                     | 100                        | 12.2   | 28.0 | 99.2 | 12.6 | 28.1 | 97.5 | 12.7 | 28.2 | 94.4 | 12.1 | 28.4 | 91.2  | 11.5 | 28.6 | 85.0  | 10.3 | 29.1 |       |
|                 | 96                     | 102                        | 12.3   | 30.6 | 101  | 12.7 | 30.6 | 97.5 | 12.3 | 30.8 | 94.4 | 11.7 | 30.9 | 91.2  | 11.1 | 31.0 | 85.0  | 10.0 | 31.3 |       |
| 40              | 50                     | 107                        | 12.8   | 31.0 | 104  | 12.5 | 31.3 | 97.5 | 12.3 | 31.9 | 94.4 | 11.7 | 32.1 | 91.2  | 11.2 | 32.3 | 85.0  | 10.0 | 32.8 |       |
|                 | 60                     | 108                        | 12.8   | 32.4 | 104  | 12.3 | 32.7 | 97.5 | 12.2 | 33.2 | 94.4 | 11.6 | 33.4 | 91.2  | 11.0 | 33.6 | 85.0  | 9.94 | 34.0 |       |
|                 | 96                     | 109                        | 12.9   | 35.2 | 104  | 12.0 | 35.4 | 97.5 | 11.9 | 35.7 | 94.4 | 11.3 | 35.9 | 91.2  | 10.7 | 36.0 | 85.0  | 9.68 | 36.3 |       |
| 45              | 50                     | 110                        | 12.7   | 35.7 | 104  | 12.1 | 36.2 | 97.5 | 11.9 | 36.8 | 94.4 | 11.3 | 37.1 | 91.2  | 10.8 | 37.3 | 85.0  | 9.74 | 37.8 |       |
|                 | 60                     | 110                        | 12.5   | 37.2 | 104  | 12.0 | 37.7 | 97.5 | 11.8 | 38.2 | 94.4 | 11.2 | 38.4 | 91.2  | 10.7 | 38.6 | 85.0  | 9.64 | 39.0 |       |
|                 | 96                     | 110                        | 12.2   | 40.1 | 104  | 11.7 | 40.4 | 97.5 | 11.5 | 40.7 | 94.4 | 10.9 | 40.8 | 91.2  | 10.4 | 41.0 | 85.0  | 9.39 | 41.2 |       |
| 120             | 10                     | 50                         | 37.2   | 7.31 | 7.15 | 38.3 | 6.8  | 7.00 | 39.2 | 6.4  | 6.87 | 39.6 | 6.3  | 6.82  | 39.9 | 6.2  | 6.78  | 40.5 | 6.0  | 6.71  |
|                 |                        | 60                         | 45.1   | 7.62 | 7.02 | 45.8 | 7.3  | 6.94 | 46.3 | 7.2  | 6.88 | 46.5 | 7.1  | 6.86  | 46.7 | 7.1  | 6.85  | 46.9 | 7.1  | 6.83  |
|                 |                        | 96                         | 60.9   | 9.7  | 7.45 | 61.0 | 9.8  | 7.45 | 60.9 | 10.0 | 7.47 | 60.8 | 10.1 | 7.48  | 60.7 | 10.2 | 7.49  | 60.4 | 10.5 | 7.52  |
|                 | 15                     | 50                         | 63.9   | 10.0 | 9.86 | 63.8 | 10.2 | 9.88 | 63.7 | 10.4 | 9.91 | 63.5 | 10.6 | 9.94  | 63.4 | 10.7 | 9.97  | 63.0 | 11.1 | 10.04 |
|                 |                        | 60                         | 65.6   | 10.1 | 10.6 | 65.5 | 10.3 | 10.6 | 65.3 | 10.6 | 10.6 | 65.1 | 10.7 | 10.7  | 65.0 | 10.9 | 10.7  | 64.5 | 11.3 | 10.8  |
|                 |                        | 96                         | 70.1   | 10.4 | 12.0 | 69.9 | 10.6 | 12.1 | 69.6 | 10.9 | 12.1 | 69.3 | 11.1 | 12.1  | 69.1 | 11.3 | 12.1  | 68.5 | 11.7 | 12.2  |
|                 | 20                     | 50                         | 76.0   | 10.8 | 13.8 | 75.6 | 11.1 | 13.8 | 75.1 | 11.4 | 13.9 | 74.8 | 11.6 | 14.0  | 74.5 | 11.8 | 14.0  | 73.8 | 12.3 | 14.1  |
|                 |                        | 60                         | 76.5   | 10.8 | 14.8 | 76.1 | 11.1 | 14.8 | 75.6 | 11.5 | 14.9 | 75.3 | 11.6 | 14.9  | 75.0 | 11.9 | 15.0  | 74.3 | 12.3 | 15.1  |
|                 |                        | 96                         | 77.8   | 10.9 | 16.7 | 77.4 | 11.2 | 16.7 | 76.8 | 11.6 | 16.8 | 76.5 | 11.8 | 16.8  | 76.2 | 12.0 | 16.8  | 75.5 | 12.4 | 16.9  |
|                 | 25                     | 50                         | 83.5   | 11.4 | 18.1 | 82.9 | 11.7 | 18.2 | 82.2 | 12.1 | 18.3 | 81.9 | 12.3 | 18.4  | 81.5 | 12.5 | 18.4  | 80.4 | 12.1 | 18.7  |
|                 |                        | 60                         | 84.0   | 11.4 | 19.2 | 83.4 | 11.8 | 19.3 | 82.8 | 12.1 | 19.4 | 82.4 | 12.3 | 19.4  | 82.0 | 12.6 | 19.5  | 80.4 | 12.0 | 19.7  |
|                 |                        | 96                         | 85.4   | 11.5 | 21.3 | 84.8 | 11.9 | 21.4 | 84.1 | 12.3 | 21.4 | 83.8 | 12.5 | 21.5  | 83.4 | 12.7 | 21.5  | 80.4 | 11.7 | 21.7  |
| 30              | 50                     | 89.9                       | 11.6   | 22.0 | 89.3 | 11.9 | 22.1 | 88.6 | 12.3 | 22.1 | 88.2 | 12.5 | 22.1 | 87.8  | 12.7 | 22.2 | 86.4  | 11.6 | 22.3 |       |
|                 | 60                     | 90.9                       | 12.0   | 22.5 | 90.2 | 12.4 | 22.6 | 89.4 | 12.8 | 22.7 | 87.1 | 12.3 | 22.9 | 84.2  | 11.7 | 23.1 | 78.4  | 10.5 | 23.5 |       |
|                 | 96                     | 91.5                       | 12.0   | 23.7 | 90.8 | 12.4 | 23.8 | 90.0 | 12.8 | 23.9 | 87.1 | 12.2 | 24.0 | 84.2  | 11.6 | 24.2 | 78.4  | 10.4 | 24.6 |       |
| 35              | 50                     | 93.0                       | 12.2   | 26.0 | 92.2 | 12.5 | 26.0 | 90.0 | 12.5 | 26.1 | 87.1 | 11.9 | 26.3 | 84.2  | 11.3 | 26.4 | 78.4  | 10.1 | 26.6 |       |
|                 | 60                     | 93.5                       | 12.2   | 26.8 | 92.7 | 12.6 | 26.8 | 90.0 | 12.4 | 26.9 | 87.1 | 11.8 | 27.0 | 84.2  | 11.2 | 27.1 | 78.4  | 10.0 | 27.3 |       |
|                 | 96                     | 98.3                       | 12.6   | 28.8 | 95.8 | 12.5 | 27.0 | 90.0 | 11.3 | 27.5 | 87.1 | 10.8 | 27.7 | 84.2  | 10.3 | 27.9 | 78.4  | 9.23 | 28.4 |       |
| 40              | 50                     | 98.9                       | 12.7   | 28.1 | 95.8 | 12.3 | 28.4 | 90.0 | 11.2 | 28.7 | 87.1 | 10.7 | 28.9 | 84.2  | 10.2 | 29.1 | 78.4  | 9.14 | 29.5 |       |
|                 | 60                     | 101                        | 12.8   | 30.6 | 95.8 | 12.0 | 30.8 | 90.0 | 10.9 | 31.1 | 87.1 | 10.4 | 31.2 | 84.2  | 9.87 | 31.3 | 78.4  | 8.89 | 31.5 |       |
|                 | 96                     | 101                        | 12.9   | 31.5 | 95.8 | 11.9 | 31.7 | 90.0 | 10.8 | 31.8 | 87.1 | 10.3 | 31.9 | 84.2  | 9.79 | 32.0 | 78.4  | 8.82 | 32.2 |       |
| 45              | 50                     | 102                        | 12.1   | 31.4 | 95.8 | 12.0 | 32.0 | 90.0 | 10.9 | 32.4 | 87.1 | 10.4 | 32.7 | 84.2  | 9.91 | 32.9 | 78.4  | 8.95 | 33.4 |       |
|                 | 60                     | 102                        | 11.9   | 32.9 | 95.8 | 11.9 | 33.3 | 90.0 | 10.8 | 33.7 | 87.1 | 10.3 | 33.9 | 84.2  | 9.81 | 34.1 | 78.4  | 8.86 | 34.5 |       |
|                 | 96                     | 102                        | 11.6   | 35.5 | 95.8 | 11.6 | 35.8 | 90.0 | 10.5 | 36.0 | 87.1 | 10.0 | 36.2 | 84.2  | 9.55 | 36.3 | 78.4  | 8.63 | 36.5 |       |
| 110             | 10                     | 50                         | 38.7   | 6.6  | 6.93 | 39.5 | 6.3  | 6.83 | 40.1 | 6.1  | 6.75 | 40.3 | 6.0  | 6.72  | 40.5 | 6.0  | 6.70  | 40.8 | 5.9  | 6.66  |
|                 |                        | 60                         | 46.0   | 7.2  | 6.91 | 46.5 | 7.1  | 6.87 | 46.7 | 7.1  | 6.84 | 46.8 | 7.1  | 6.83  | 46.9 | 7.1  | 6.83  | 46.9 | 7.2  | 6.84  |
|                 |                        | 96                         | 61.0   | 9.9  | 7.46 | 60.8 | 10.1 | 7.47 | 60.6 | 10.3 | 7.50 | 60.5 | 10.5 | 7.51  | 60.3 | 10.6 | 7.53  | 59.8 | 11.0 | 7.57  |
|                 | 15                     | 50                         | 63.8   | 10.3 | 9.89 | 63.6 | 10.5 | 9.93 | 63.3 | 10.8 | 9.99 | 63.1 | 11.0 | 10.02 | 62.9 | 11.2 | 10.06 | 62.3 | 11.6 | 10.15 |
|                 |                        | 60                         | 65.4   | 10.4 | 10.6 | 65.2 | 10.7 | 10.7 | 64.8 | 11.0 | 10.7 | 64.6 | 11.2 | 10.7  | 64.4 | 11.3 | 10.8  | 63.8 | 11.8 | 10.9  |
|                 |                        | 96                         | 69.8   | 10.7 | 12.1 | 69.4 | 11.0 | 12.1 | 68.9 | 11.4 | 12.1 | 68.7 | 11.6 | 12.2  | 68.4 | 11.8 | 12.2  | 67.8 | 12.2 | 12.2  |
|                 | 20                     | 50                         | 75.4   | 11.2 | 13.9 | 74.9 | 11.6 | 14.0 | 74.3 | 11.9 | 14.0 | 74.0 | 12.1 | 14.1  | 73.6 | 12.4 | 14.1  | 71.9 | 12.4 | 14.3  |
|                 |                        | 60                         | 75.9   | 11.3 | 14.9 | 75.4 | 11.6 | 14.9 | 74.8 | 12.0 | 15.0 | 74.4 | 12.2 | 15.0  | 74.1 | 12.4 | 15.1  | 71.9 | 12.3 | 15.3  |
|                 |                        | 96                         | 77.1   | 11.4 | 16.7 | 76.6 | 11.7 | 16.8 | 76.0 | 12.1 | 16.8 | 75.7 | 12.3 | 16.8  | 75.3 | 12.5 | 16.9  | 71.9 | 11.9 | 17.0  |
|                 | 25                     | 50                         | 82.6   | 11.9 | 18.2 | 82.0 | 12.2 | 18.3 | 81.3 | 12.7 | 18.4 | 79.9 | 12.5 | 18.6  | 77.2 | 11.8 | 18.8  | 71.9 | 10.6 | 19.1  |
|                 |                        | 60                         | 83.1   | 11.9 | 19.3 | 82.5 | 12.3 | 19.4 | 81.8 | 12.7 | 19.5 | 79.9 | 12.3 | 19.6  | 77.2 | 11.7 | 19.8  | 71.9 | 10.5 | 20.1  |
|                 |                        | 96                         | 84.5   | 12.1 | 21.4 | 83.8 | 12.4 | 21.4 | 82.5 | 12.6 | 21.5 | 79.9 | 12.0 | 21.6  | 77.2 | 11.4 | 21.7  | 71.9 | 10.2 | 21.9  |
| 30              | 50                     | 89.0                       | 12.1   | 22.1 | 88.3 | 12.5 | 22.1 | 82.5 | 12.5 | 22.2 | 79.9 | 11.9 | 22.3 | 77.2  | 11.3 | 22.4 | 71.9  | 10.1 | 22.5 |       |
|                 | 60                     | 89.8                       | 12.6   | 22.6 | 87.8 | 12.5 | 22.8 | 82.5 | 11.3 | 23.2 | 79.9 | 10.8 | 23.4 | 77.2  | 10.3 | 23.6 | 71.9  | 9.23 | 24.0 |       |
|                 | 96                     | 90.4                       | 12.6   | 23.8 | 87.8 | 12.4 | 24.0 | 82.5 | 11.2 | 24.3 | 79.9 | 10.7 | 24.5 | 77.2  | 10.2 | 24.7 | 71.9  | 9.13 | 25.0 |       |
| 35              | 50                     | 93.1                       | 12.7   | 26.1 | 87.8 | 12.0 | 26.2 | 82.5 | 10.9 | 26.4 | 79.9 | 10.4 | 26.5 | 77.2  | 9.88 | 26.7 | 71.9  | 8.89 | 26.9 |       |
|                 | 60                     | 92.3                       | 12.8   | 26.8 | 87.8 | 11.9 | 27.0 | 82.5 | 10.8 | 27.1 | 79.9 | 10.3 | 27.2 | 77.2  | 9.79 | 27.3 | 71.9  | 8.82 | 27.5 |       |
|                 | 96                     | 93.1                       | 12.0   | 27.2 | 87.8 | 10.9 | 27.7 | 82.5 | 9.95 | 28.1 | 79.9 | 9.48 | 28.3 |       |      |      |       |      |      |       |

# 4 Capacity tables

## 4 - 3 Heating capacity tables

| RWEYQ24PY1      |                        |                            | TC: Total Capacity: kW ; PI: Power Input: kW (compressor + outdoor fan motor) ; OWT: Outlet Water Temperatur: °C |       |       |      |      |       |      |      |       |      |      |       |      |       |       |      |      |       |
|-----------------|------------------------|----------------------------|--|-------|-------|------|------|-------|------|------|-------|------|------|-------|------|-------|-------|------|------|-------|
| Combination (%) | Inlet Water Temp. (°C) | Water Volume (note2) L/min | Indoor air temperature: °CWB   |       |       |      |      |       |      |      |       |      |      |       |      |       |       |      |      |       |
|                 |                        |                            | 16.0   |       |       | 18.0 |      |       | 20.0 |      |       | 21.0 |      |       | 22.0 |       |       | 24.0 |      |       |
|                 |                        |                            | TC   | PI    | OWT   | TC   | PI   | OWT   | TC   | PI   | OWT   | TC   | PI   | OWT   | TC   | PI    | OWT   | TC   | PI   | OWT   |
| 100             | 10                     | 50                         | 39.9   | 6.2   | 6.78  | 40.3 | 6.0  | 6.72  | 40.7 | 5.9  | 6.68  | 40.8 | 5.9  | 6.67  | 40.9 | 5.9   | 6.66  | 41.0 | 6.0  | 6.65  |
|                 |                        | 60                         | 46.6   | 7.1   | 6.85  | 46.8 | 7.1  | 6.83  | 46.9 | 7.1  | 6.83  | 46.9 | 7.2  | 6.84  | 46.9 | 7.3   | 6.85  | 46.7 | 7.4  | 6.87  |
|                 |                        | 96                         | 60.7   | 10.2  | 7.49  | 60.5 | 10.5 | 7.51  | 60.1 | 10.8 | 7.54  | 59.9 | 10.9 | 7.56  | 59.7 | 11.1  | 7.58  | 59.2 | 11.6 | 7.63  |
|                 | 15                     | 50                         | 63.4   | 10.7  | 9.97  | 63.1 | 11.0 | 10.02 | 62.7 | 11.3 | 10.10 | 62.4 | 11.5 | 10.14 | 62.2 | 11.7  | 10.18 | 61.6 | 12.2 | 10.28 |
|                 |                        | 60                         | 65.0   | 10.8  | 10.7  | 64.6 | 11.2 | 10.7  | 64.2 | 11.5 | 10.8  | 63.9 | 11.7 | 10.8  | 63.6 | 11.9  | 10.9  | 63.0 | 12.4 | 11.0  |
|                 |                        | 96                         | 69.1   | 11.2  | 12.1  | 68.7 | 11.6 | 12.2  | 68.1 | 12.0 | 12.2  | 67.9 | 12.2 | 12.2  | 67.5 | 12.4  | 12.3  | 65.4 | 12.2 | 12.4  |
|                 | 20                     | 50                         | 74.5   | 11.8  | 14.0  | 74.0 | 12.1 | 14.1  | 73.3 | 12.5 | 14.2  | 72.6 | 12.6 | 14.3  | 70.2 | 11.9  | 14.4  | 65.4 | 10.7 | 14.8  |
|                 |                        | 60                         | 75.0   | 11.8  | 15.0  | 74.4 | 12.2 | 15.0  | 73.8 | 12.6 | 15.1  | 72.6 | 12.4 | 15.2  | 70.2 | 11.8  | 15.4  | 65.4 | 10.6 | 15.6  |
|                 |                        | 96                         | 76.3   | 11.9  | 16.8  | 75.7 | 12.3 | 16.8  | 75.0 | 12.7 | 16.9  | 72.6 | 12.1 | 17.0  | 70.2 | 11.5  | 17.1  | 65.4 | 10.3 | 17.3  |
|                 | 25                     | 50                         | 81.6   | 12.5  | 18.4  | 79.8 | 12.5 | 18.6  | 75.0 | 11.3 | 18.9  | 72.6 | 10.8 | 19.1  | 70.2 | 10.2  | 19.3  | 65.4 | 9.21 | 19.6  |
|                 |                        | 60                         | 82.1   | 12.5  | 19.5  | 79.8 | 12.3 | 19.6  | 75.0 | 11.2 | 19.9  | 72.6 | 10.7 | 20.1  | 70.2 | 10.1  | 20.2  | 65.4 | 9.11 | 20.5  |
|                 |                        | 96                         | 83.4   | 12.7  | 21.5  | 79.8 | 12.0 | 21.6  | 75.0 | 10.9 | 21.8  | 72.6 | 10.4 | 21.9  | 70.2 | 9.85  | 22.0  | 65.4 | 8.87 | 22.2  |
| 30              | 50                     | 84.6                       | 11.8   | 23.0  | 79.8  | 10.8 | 23.4 | 75.0  | 9.83 | 23.8 | 72.6  | 9.36 | 24.0 | 70.2  | 8.91 | 24.1  | 65.4  | 8.04 | 24.5 |       |
|                 | 60                     | 84.6                       | 11.7   | 24.2  | 79.8  | 10.7 | 24.5 | 75.0  | 9.72 | 24.8 | 72.6  | 9.26 | 25.0 | 70.2  | 8.82 | 25.1  | 65.4  | 7.96 | 25.4 |       |
|                 | 96                     | 84.6                       | 11.3   | 26.4  | 79.8  | 10.4 | 26.5 | 75.0  | 9.46 | 26.7 | 72.6  | 9.02 | 26.8 | 70.2  | 8.59 | 26.9  | 65.4  | 7.76 | 27.1 |       |
| 35              | 50                     | 84.6                       | 10.3   | 27.9  | 79.8  | 9.47 | 28.3 | 75.0  | 8.65 | 28.7 | 72.6  | 8.25 | 28.9 | 70.2  | 7.87 | 29.0  | 65.4  | 7.12 | 29.4 |       |
|                 | 60                     | 84.6                       | 10.2   | 29.1  | 79.8  | 9.37 | 29.4 | 75.0  | 8.56 | 29.7 | 72.6  | 8.17 | 29.9 | 70.2  | 7.79 | 30.0  | 65.4  | 7.05 | 30.4 |       |
|                 | 96                     | 84.6                       | 9.95   | 31.3  | 79.8  | 9.12 | 31.5 | 75.0  | 8.34 | 31.7 | 72.6  | 7.96 | 31.8 | 70.2  | 7.59 | 31.9  | 65.4  | 6.88 | 32.1 |       |
| 40              | 50                     | 84.6                       | 9.99   | 32.9  | 79.8  | 9.17 | 33.3 | 75.0  | 8.40 | 33.6 | 72.6  | 8.03 | 33.8 | 70.2  | 7.66 | 34.0  | 65.4  | 6.95 | 34.4 |       |
|                 | 60                     | 84.6                       | 9.88   | 34.0  | 79.8  | 9.08 | 34.4 | 75.0  | 8.32 | 34.7 | 72.6  | 7.95 | 34.9 | 70.2  | 7.59 | 35.0  | 65.4  | 6.88 | 35.3 |       |
|                 | 96                     | 84.6                       | 9.62   | 36.3  | 79.8  | 8.85 | 36.5 | 75.0  | 8.11 | 36.7 | 72.6  | 7.75 | 36.8 | 70.2  | 7.40 | 36.9  | 65.4  | 6.71 | 37.1 |       |
| 45              | 50                     | 84.6                       | 9.69   | 37.8  | 79.8  | 8.92 | 38.2 | 75.0  | 8.19 | 38.6 | 72.6  | 7.82 | 38.8 | 70.2  | 7.65 | 38.9  | 65.4  | 6.77 | 39.4 |       |
|                 | 60                     | 84.6                       | 9.59   | 39.0  | 79.8  | 8.83 | 39.3 | 75.0  | 8.11 | 39.7 | 72.6  | 7.75 | 39.8 | 70.2  | 7.40 | 40.0  | 65.4  | 6.71 | 40.3 |       |
|                 | 96                     | 84.6                       | 9.34   | 41.3  | 79.8  | 8.61 | 41.5 | 75.0  | 7.90 | 41.7 | 72.6  | 7.55 | 41.8 | 70.2  | 7.21 | 41.9  | 65.4  | 6.54 | 42.1 |       |
| 90              | 10                     | 50                         | 40.6   | 6.0   | 6.69  | 40.8 | 5.9  | 6.66  | 41.0 | 5.9  | 6.65  | 41.0 | 6.0  | 6.65  | 41.0 | 6.0   | 6.66  | 40.9 | 6.2  | 6.68  |
|                 |                        | 60                         | 46.9   | 7.1   | 6.83  | 46.9 | 7.2  | 6.84  | 46.8 | 7.3  | 6.86  | 46.7 | 7.4  | 6.87  | 46.6 | 7.5   | 6.89  | 46.3 | 7.8  | 6.93  |
|                 |                        | 96                         | 60.2   | 10.7  | 7.54  | 59.8 | 11.0 | 7.57  | 59.4 | 11.4 | 7.61  | 59.2 | 11.6 | 7.63  | 58.9 | 11.8  | 7.65  | 58.3 | 12.2 | 7.71  |
|                 | 15                     | 50                         | 62.8   | 11.3  | 10.08 | 62.3 | 11.6 | 10.15 | 61.9 | 12.0 | 10.23 | 61.6 | 12.2 | 10.28 | 61.3 | 12.4  | 10.3  | 58.8 | 11.9 | 10.5  |
|                 |                        | 60                         | 64.3   | 11.4  | 10.8  | 63.8 | 11.8 | 10.9  | 63.3 | 12.2 | 10.9  | 63.0 | 12.4 | 11.0  | 62.7 | 12.6  | 11.0  | 58.8 | 11.5 | 11.2  |
|                 |                        | 96                         | 68.3   | 11.9  | 12.2  | 67.8 | 12.2 | 12.2  | 67.2 | 12.6 | 12.3  | 65.3 | 12.2 | 12.4  | 63.2 | 11.5  | 12.4  | 58.8 | 10.4 | 12.6  |
|                 | 20                     | 50                         | 73.5   | 12.4  | 14.2  | 71.8 | 12.4 | 14.3  | 67.5 | 11.2 | 14.6  | 65.3 | 10.7 | 14.8  | 63.2 | 10.2  | 14.9  | 58.8 | 9.15 | 15.3  |
|                 |                        | 60                         | 74.0   | 12.5  | 15.1  | 71.8 | 12.2 | 15.3  | 67.5 | 11.1 | 15.5  | 65.3 | 10.6 | 15.6  | 63.2 | 10.1  | 15.8  | 58.8 | 9.05 | 16.0  |
|                 |                        | 96                         | 75.2   | 12.6  | 16.9  | 71.8 | 11.9 | 17.0  | 67.5 | 10.8 | 17.2  | 65.3 | 10.3 | 17.3  | 63.2 | 9.79  | 17.3  | 58.8 | 8.81 | 17.5  |
|                 | 25                     | 50                         | 76.2   | 11.6  | 18.8  | 71.8 | 10.6 | 19.1  | 67.5 | 9.66 | 19.5  | 65.3 | 9.20 | 19.6  | 63.2 | 8.76  | 19.8  | 58.8 | 7.91 | 20.1  |
|                 |                        | 60                         | 76.2   | 11.5  | 19.8  | 71.8 | 10.5 | 20.1  | 67.5 | 9.55 | 20.4  | 65.3 | 9.10 | 20.5  | 63.2 | 8.67  | 20.7  | 58.8 | 7.83 | 20.9  |
|                 |                        | 96                         | 76.2   | 11.1  | 21.8  | 71.8 | 10.2 | 21.9  | 67.5 | 9.30 | 22.1  | 65.3 | 8.86 | 22.2  | 63.2 | 8.44  | 22.3  | 58.8 | 7.63 | 22.5  |
| 30              | 50                     | 76.2                       | 11.0   | 22.4  | 71.8  | 10.1 | 22.5 | 67.5  | 9.22 | 22.7 | 65.3  | 8.79 | 22.7 | 63.2  | 8.37 | 22.8  | 58.8  | 7.57 | 23.0 |       |
|                 | 60                     | 76.2                       | 10.1   | 23.7  | 71.8  | 9.22 | 24.0 | 67.5  | 8.42 | 24.4 | 65.3  | 8.04 | 24.5 | 63.2  | 7.66 | 24.7  | 58.8  | 6.94 | 25.0 |       |
|                 | 96                     | 76.2                       | 9.95   | 24.7  | 71.8  | 9.12 | 25.0 | 67.5  | 8.34 | 25.3 | 65.3  | 7.96 | 25.4 | 63.2  | 7.59 | 25.6  | 58.8  | 6.88 | 25.9 |       |
| 35              | 50                     | 76.2                       | 9.68   | 26.7  | 71.8  | 8.88 | 26.9 | 67.5  | 8.12 | 27.0 | 65.3  | 7.75 | 27.1 | 63.2  | 7.40 | 27.2  | 58.8  | 6.71 | 27.4 |       |
|                 | 60                     | 76.2                       | 9.60   | 27.4  | 71.8  | 8.81 | 27.5 | 67.5  | 8.05 | 27.6 | 65.3  | 7.69 | 27.7 | 63.2  | 7.34 | 27.8  | 58.8  | 6.65 | 27.9 |       |
|                 | 96                     | 76.2                       | 8.85   | 28.6  | 71.8  | 8.13 | 28.9 | 67.5  | 7.45 | 29.3 | 65.3  | 7.12 | 29.4 | 63.2  | 6.80 | 29.6  | 58.8  | 6.18 | 30.0 |       |
| 40              | 50                     | 76.2                       | 8.75   | 29.6  | 71.8  | 8.05 | 29.9 | 67.5  | 7.38 | 30.2 | 65.3  | 7.05 | 30.4 | 63.2  | 6.73 | 30.5  | 58.8  | 6.12 | 30.8 |       |
|                 | 60                     | 76.2                       | 8.53   | 31.6  | 71.8  | 7.84 | 31.8 | 67.5  | 7.19 | 32.0 | 65.3  | 6.88 | 32.1 | 63.2  | 6.57 | 32.2  | 58.8  | 5.98 | 32.4 |       |
|                 | 96                     | 76.2                       | 8.45   | 32.3  | 71.8  | 7.78 | 32.5 | 67.5  | 7.13 | 32.6 | 65.3  | 6.82 | 32.7 | 63.2  | 6.52 | 32.7  | 58.8  | 5.93 | 32.9 |       |
| 45              | 50                     | 76.2                       | 8.58   | 33.5  | 71.8  | 7.91 | 33.9 | 67.5  | 7.26 | 34.2 | 65.3  | 6.94 | 34.4 | 63.2  | 6.63 | 34.6  | 58.8  | 6.03 | 35.0 |       |
|                 | 60                     | 76.2                       | 8.50   | 34.6  | 71.8  | 7.83 | 34.9 | 67.5  | 7.19 | 35.2 | 65.3  | 6.87 | 35.3 | 63.2  | 6.57 | 35.5  | 58.8  | 5.97 | 35.8 |       |
|                 | 96                     | 76.2                       | 8.28   | 36.6  | 71.8  | 7.64 | 36.8 | 67.5  | 7.01 | 37.0 | 65.3  | 6.70 | 37.1 | 63.2  | 6.40 | 37.2  | 58.8  | 5.83 | 37.4 |       |
| 80              | 10                     | 50                         | 76.2   | 8.21  | 37.3  | 71.8 | 7.58 | 37.4  | 67.5 | 6.95 | 37.6  | 65.3 | 6.65 | 37.7  | 63.2 | 6.35  | 37.7  | 58.8 | 5.78 | 37.9  |
|                 |                        | 60                         | 76.2   | 8.36  | 38.5  | 71.8 | 7.71 | 38.9  | 67.5 | 7.08 | 39.2  | 65.3 | 6.77 | 39.4  | 63.2 | 6.46  | 39.6  | 58.8 | 5.88 | 39.9  |
|                 |                        | 96                         | 76.2   | 8.28  | 39.6  | 71.8 | 7.64 | 39.9  | 67.5 | 7.01 | 40.2  | 65.3 | 6.70 | 40.3  | 63.2 | 6.40  | 40.5  | 58.8 | 5.82 | 40.8  |
|                 | 15                     | 50                         | 76.2   | 8.08  | 41.6  | 71.8 | 7.45 | 41.8  | 67.5 | 6.84 | 42.0  | 65.3 | 6.54 | 42.1  | 63.2 | 6.24  | 42.2  | 58.8 | 5.68 | 42.4  |
|                 |                        | 60                         | 76.2   | 8.01  | 42.3  | 71.8 | 7.39 | 42.4  | 67.5 | 6.78 | 42.6  | 65.3 | 6.48 | 42.7  | 63.2 | 6.20  | 42.7  | 58.8 | 5.64 | 42.9  |
|                 |                        | 96                         | 41.0   | 5.94  | 6.65  | 41.0 | 6.0  | 6.66  | 40.9 | 6.1  | 6.67  | 40.9 | 6.2  | 6.69  | 40.8 | 6.3   | 6.70  | 40.5 | 6.5  | 6.74  |
|                 | 20                     | 50                         | 46.8   | 7.34  | 6.86  | 46.7 | 7.5  | 6.88  | 46.4 | 7.7  | 6.92  | 46.3 | 7.8  | 6.94  | 46.1 | 8.0   | 6.96  | 45.7 | 8.3  | 7.02  |
|                 |                        | 60                         | 59.4   | 11.34 | 7.61  | 59.0 | 11.7 | 7.65  | 58.5 | 12.1 | 7.69  | 58.1 | 12.2 | 7.72  | 56.1 | 11.6  | 7.78  | 52.3 | 10.4 | 7.92  |
|                 |                        | 96                         | 62.0   | 12.10 | 8.01  | 61.5 | 12.5 | 8.05  | 60.0 | 12.4 | 8.10  | 58.1 | 11.8 | 8.16  | 56.1 | 11.2  | 8.21  | 52.3 | 10.0 | 8.32  |
|                 | 25                     | 50                         | 61.9   | 11.96 | 10.23 | 61.4 | 12.3 | 10.31 | 60.0 | 12.3 | 10.44 | 58.1 | 11.7 | 10.57 | 56.1 | 11.1  | 10.70 | 52.3 | 9.98 | 10.96 |
|                 |                        | 60                         | 63.3   | 12.14 | 10.92 | 62.8 | 12.5 | 11.0  | 60.0 | 11.8 | 11.2  | 58.1 | 11.2 | 11.3  | 56.1 | 10.67 | 11.4  | 52.3 | 9.59 | 11.6  |
|                 |                        | 96                         | 67.2   | 12.61 | 12.3  | 63.9 | 11.7 | 12.4  | 60.0 | 10.7 |       |      |      |       |      |       |       |      |      |       |

# 4 Capacity tables

## 4 - 3 Heating capacity tables

| RWEYQ24PY1      |                        |                            | TC: Total Capacity: kW ; PI: Power Input: kW (compressor + outdoor fan motor) ; OWT: Outlet Water Temperatur: °C |       |       |       |       |       |       |       |       |      |      |      |      |      |      |      |      |      |      |      |      |      |      |       |      |      |      |      |      |      |      |      |      |      |      |      |      |      |      |      |       |      |       |       |      |       |       |      |      |      |      |      |      |      |      |      |
|-----------------|------------------------|----------------------------|--|-------|-------|-------|-------|-------|-------|-------|-------|------|------|------|------|------|------|------|------|------|------|------|------|------|------|-------|------|------|------|------|------|------|------|------|------|------|------|------|------|------|------|------|-------|------|-------|-------|------|-------|-------|------|------|------|------|------|------|------|------|------|
| Combination (%) | Inlet Water Temp. (°C) | Water Volume (note2) L/min | Indoor air temperature: °CWB   |       |       |       |       |       |       |       |       |      |      |      |      |      |      |      |      |      |      |      |      |      |      |       |      |      |      |      |      |      |      |      |      |      |      |      |      |      |      |      |       |      |       |       |      |       |       |      |      |      |      |      |      |      |      |      |
|                 |                        |                            | 16.0   |       |       | 18.0  |       |       | 20.0  |       |       | 21.0 |      |      | 22.0 |      |      | 24.0 |      |      |      |      |      |      |      |       |      |      |      |      |      |      |      |      |      |      |      |      |      |      |      |      |       |      |       |       |      |       |       |      |      |      |      |      |      |      |      |      |
|                 |                        |                            | TC   | PI    | OWT   | TC    | PI    | OWT   | TC    | PI    | OWT   | TC   | PI   | OWT  | TC   | PI   | OWT  | TC   | PI   | OWT  |      |      |      |      |      |       |      |      |      |      |      |      |      |      |      |      |      |      |      |      |      |      |       |      |       |       |      |       |       |      |      |      |      |      |      |      |      |      |
| 70              | 10                     | 50                         | 40.9   | 6.1   | 6.68  | 40.8  | 6.3   | 6.71  | 40.6  | 6.5   | 6.74  | 40.4 | 6.6  | 6.76 | 40.3 | 6.67 | 6.79 | 40.0 | 6.92 | 6.84 | 50   | 46.4 | 7.8  | 6.93 | 46.1 | 8.0   | 6.97 | 45.8 | 8.3  | 7.01 | 45.6 | 8.4  | 7.04 | 45.4 | 8.55 | 7.07 | 44.9 | 8.87 | 7.13 | 50   | 58.4 | 12.2 | 7.70  | 55.9 | 11.5  | 7.79  | 52.5 | 10.5  | 7.91  | 50.8 | 9.96 | 7.97 | 49.1 | 9.47 | 8.03 | 45.8 | 8.52 | 8.15 |
|                 |                        | 60                         | 46.4   | 7.8   | 6.93  | 46.1  | 8.0   | 6.97  | 45.8  | 8.3   | 7.01  | 45.6 | 8.4  | 7.04 | 45.4 | 8.55 | 7.07 | 44.9 | 8.87 | 7.13 | 60   | 59.2 | 12.2 | 8.13 | 55.9 | 11.1  | 8.22 | 52.5 | 10.1 | 8.31 | 50.8 | 9.63 | 8.36 | 49.1 | 9.16 | 8.41 | 45.8 | 8.26 | 8.51 | 60   | 59.2 | 12.1 | 10.49 | 55.9 | 11.03 | 10.71 | 52.5 | 10.04 | 10.94 | 50.8 | 9.56 | 11.1 | 49.1 | 9.09 | 11.2 | 45.8 | 8.20 | 11.4 |
|                 |                        | 96                         | 58.4   | 12.2  | 7.70  | 55.9  | 11.5  | 7.79  | 52.5  | 10.5  | 7.91  | 50.8 | 9.96 | 7.97 | 49.1 | 9.47 | 8.03 | 45.8 | 8.52 | 8.15 | 96   | 59.2 | 10.5 | 12.6 | 55.9 | 9.58  | 12.7 | 52.5 | 8.75 | 12.8 | 50.8 | 8.34 | 12.9 | 49.1 | 7.95 | 13.0 | 45.8 | 7.19 | 13.1 | 96   | 59.2 | 10.1 | 13.0  | 55.9 | 9.27  | 13.1  | 52.5 | 8.46  | 13.2  | 50.8 | 8.08 | 13.3 | 49.1 | 7.70 | 13.4 | 45.8 | 6.97 | 13.5 |
|                 | 15                     | 50                         | 59.2   | 12.1  | 10.49 | 55.9  | 11.03 | 10.71 | 52.5  | 10.04 | 10.94 | 50.8 | 9.56 | 11.1 | 49.1 | 9.09 | 11.2 | 45.8 | 8.20 | 11.4 | 50   | 59.2 | 11.6 | 11.2 | 55.9 | 10.59 | 11.4 | 52.5 | 9.65 | 11.6 | 50.8 | 9.19 | 11.7 | 49.1 | 8.75 | 11.8 | 45.8 | 7.90 | 12.0 | 50   | 59.2 | 10.5 | 12.6  | 55.9 | 9.58  | 12.7  | 52.5 | 8.75  | 12.8  | 50.8 | 8.34 | 12.9 | 49.1 | 7.95 | 13.0 | 45.8 | 7.19 | 13.1 |
|                 |                        | 60                         | 59.2   | 11.6  | 11.2  | 55.9  | 10.59 | 11.4  | 52.5  | 9.65  | 11.6  | 50.8 | 9.19 | 11.7 | 49.1 | 8.75 | 11.8 | 45.8 | 7.90 | 12.0 | 60   | 59.2 | 10.1 | 13.0 | 55.9 | 9.27  | 13.1 | 52.5 | 8.46 | 13.2 | 50.8 | 8.08 | 13.3 | 49.1 | 7.70 | 13.4 | 45.8 | 6.97 | 13.5 | 60   | 59.2 | 9.24 | 15.2  | 55.9 | 8.49  | 15.5  | 52.5 | 7.77  | 15.7  | 50.8 | 7.42 | 15.9 | 49.1 | 7.08 | 16.0 | 45.8 | 6.43 | 16.2 |
|                 |                        | 96                         | 59.2   | 10.5  | 12.6  | 55.9  | 9.58  | 12.7  | 52.5  | 8.75  | 12.8  | 50.8 | 8.34 | 12.9 | 49.1 | 7.95 | 13.0 | 45.8 | 7.19 | 13.1 | 96   | 59.2 | 8.90 | 17.5 | 55.9 | 8.18  | 17.6 | 52.5 | 7.49 | 17.8 | 50.8 | 7.16 | 17.8 | 49.1 | 6.83 | 17.9 | 45.8 | 6.21 | 18.0 | 96   | 59.2 | 8.83 | 18.0  | 55.9 | 8.11  | 18.1  | 52.5 | 7.43  | 18.2  | 50.8 | 7.10 | 18.3 | 49.1 | 6.78 | 18.3 | 45.8 | 6.16 | 18.4 |
|                 | 20                     | 50                         | 59.2   | 12.1  | 10.49 | 55.9  | 11.03 | 10.71 | 52.5  | 10.04 | 10.94 | 50.8 | 9.56 | 11.1 | 49.1 | 9.09 | 11.2 | 45.8 | 8.20 | 11.4 | 50   | 59.2 | 9.15 | 16.0 | 55.9 | 8.40  | 16.2 | 52.5 | 7.69 | 16.4 | 50.8 | 7.34 | 16.5 | 49.1 | 7.01 | 16.6 | 45.8 | 6.36 | 16.9 | 50   | 59.2 | 8.90 | 17.5  | 55.9 | 8.18  | 17.6  | 52.5 | 7.49  | 17.8  | 50.8 | 7.16 | 17.8 | 49.1 | 6.83 | 17.9 | 45.8 | 6.21 | 18.0 |
|                 |                        | 60                         | 59.2   | 11.6  | 11.2  | 55.9  | 10.59 | 11.4  | 52.5  | 9.65  | 11.6  | 50.8 | 9.19 | 11.7 | 49.1 | 8.75 | 11.8 | 45.8 | 7.90 | 12.0 | 60   | 59.2 | 8.83 | 18.0 | 55.9 | 8.11  | 18.1 | 52.5 | 7.43 | 18.2 | 50.8 | 7.10 | 18.3 | 49.1 | 6.78 | 18.3 | 45.8 | 6.16 | 18.4 | 60   | 59.2 | 7.99 | 20.1  | 55.9 | 7.36  | 20.4  | 52.5 | 6.75  | 20.6  | 50.8 | 6.46 | 20.8 | 49.1 | 6.18 | 20.9 | 45.8 | 5.63 | 21.2 |
|                 |                        | 96                         | 59.2   | 10.5  | 12.6  | 55.9  | 9.58  | 12.7  | 52.5  | 8.75  | 12.8  | 50.8 | 8.34 | 12.9 | 49.1 | 7.95 | 13.0 | 45.8 | 7.19 | 13.1 | 96   | 59.2 | 7.91 | 20.9 | 55.9 | 7.28  | 21.1 | 52.5 | 6.69 | 21.4 | 50.8 | 6.40 | 21.5 | 49.1 | 6.12 | 21.6 | 45.8 | 5.58 | 21.8 | 96   | 59.2 | 7.71 | 22.4  | 55.9 | 7.10  | 22.6  | 52.5 | 6.52  | 22.7  | 50.8 | 6.25 | 22.8 | 49.1 | 5.97 | 22.9 | 45.8 | 5.45 | 23.0 |
|                 | 25                     | 50                         | 59.2   | 12.1  | 10.49 | 55.9  | 11.03 | 10.71 | 52.5  | 10.04 | 10.94 | 50.8 | 9.56 | 11.1 | 49.1 | 9.09 | 11.2 | 45.8 | 8.20 | 11.4 | 50   | 59.2 | 7.64 | 22.9 | 55.9 | 7.04  | 23.1 | 52.5 | 6.47 | 23.2 | 50.8 | 6.20 | 23.2 | 49.1 | 5.93 | 23.3 | 45.8 | 5.41 | 23.4 | 50   | 59.2 | 7.71 | 22.4  | 55.9 | 7.10  | 22.6  | 52.5 | 6.52  | 22.7  | 50.8 | 6.25 | 22.8 | 49.1 | 5.97 | 22.9 | 45.8 | 5.45 | 23.0 |
|                 |                        | 60                         | 59.2   | 11.6  | 11.2  | 55.9  | 10.59 | 11.4  | 52.5  | 9.65  | 11.6  | 50.8 | 9.19 | 11.7 | 49.1 | 8.75 | 11.8 | 45.8 | 7.90 | 12.0 | 60   | 59.2 | 7.01 | 25.0 | 55.9 | 6.48  | 25.3 | 52.5 | 5.97 | 25.6 | 50.8 | 5.72 | 25.7 | 49.1 | 5.48 | 25.8 | 45.8 | 5.01 | 26.1 | 60   | 59.2 | 7.64 | 22.9  | 55.9 | 7.04  | 23.1  | 52.5 | 6.47  | 23.2  | 50.8 | 6.20 | 23.2 | 49.1 | 5.93 | 23.3 | 45.8 | 5.41 | 23.4 |
|                 |                        | 96                         | 59.2   | 10.5  | 12.6  | 55.9  | 9.58  | 12.7  | 52.5  | 8.75  | 12.8  | 50.8 | 8.34 | 12.9 | 49.1 | 7.95 | 13.0 | 45.8 | 7.19 | 13.1 | 96   | 59.2 | 6.94 | 25.8 | 55.9 | 6.42  | 26.1 | 52.5 | 5.91 | 26.3 | 50.8 | 5.67 | 26.4 | 49.1 | 5.43 | 26.5 | 45.8 | 4.97 | 26.8 | 96   | 59.2 | 7.71 | 22.4  | 55.9 | 7.10  | 22.6  | 52.5 | 6.52  | 22.7  | 50.8 | 6.25 | 22.8 | 49.1 | 5.97 | 22.9 | 45.8 | 5.45 | 23.0 |
| 30              | 50                     | 59.2                       | 12.1   | 10.49 | 55.9  | 11.03 | 10.71 | 52.5  | 10.04 | 10.94 | 50.8  | 9.56 | 11.1 | 49.1 | 9.09 | 11.2 | 45.8 | 8.20 | 11.4 | 50   | 59.2 | 6.77 | 27.4 | 55.9 | 6.26 | 27.5  | 52.5 | 5.77 | 27.7 | 50.8 | 5.53 | 27.7 | 49.1 | 5.30 | 27.8 | 45.8 | 4.86 | 28.0 | 50   | 59.2 | 7.64 | 22.9 | 55.9  | 7.04 | 23.1  | 52.5  | 6.47 | 23.2  | 50.8  | 6.20 | 23.2 | 49.1 | 5.93 | 23.3 | 45.8 | 5.41 | 23.4 |      |
|                 | 60                     | 59.2                       | 11.6   | 11.2  | 55.9  | 10.59 | 11.4  | 52.5  | 9.65  | 11.6  | 50.8  | 9.19 | 11.7 | 49.1 | 8.75 | 11.8 | 45.8 | 7.90 | 12.0 | 60   | 59.2 | 6.94 | 25.8 | 55.9 | 6.42 | 26.1  | 52.5 | 5.91 | 26.3 | 50.8 | 5.67 | 26.4 | 49.1 | 5.43 | 26.5 | 45.8 | 4.97 | 26.8 | 60   | 59.2 | 7.01 | 25.0 | 55.9  | 6.48 | 25.3  | 52.5  | 5.97 | 25.6  | 50.8  | 5.72 | 25.7 | 49.1 | 5.48 | 25.8 | 45.8 | 5.01 | 26.1 |      |
|                 | 96                     | 59.2                       | 10.5   | 12.6  | 55.9  | 9.58  | 12.7  | 52.5  | 8.75  | 12.8  | 50.8  | 8.34 | 12.9 | 49.1 | 7.95 | 13.0 | 45.8 | 7.19 | 13.1 | 96   | 59.2 | 6.77 | 27.4 | 55.9 | 6.26 | 27.5  | 52.5 | 5.77 | 27.7 | 50.8 | 5.53 | 27.7 | 49.1 | 5.30 | 27.8 | 45.8 | 4.86 | 28.0 | 96   | 59.2 | 7.71 | 22.4 | 55.9  | 7.10 | 22.6  | 52.5  | 6.52 | 22.7  | 50.8  | 6.25 | 22.8 | 49.1 | 5.97 | 22.9 | 45.8 | 5.45 | 23.0 |      |
| 35              | 50                     | 59.2                       | 12.1   | 10.49 | 55.9  | 11.03 | 10.71 | 52.5  | 10.04 | 10.94 | 50.8  | 9.56 | 11.1 | 49.1 | 9.09 | 11.2 | 45.8 | 8.20 | 11.4 | 50   | 59.2 | 6.24 | 29.9 | 55.9 | 5.78 | 30.2  | 52.5 | 5.34 | 30.5 | 50.8 | 5.13 | 30.6 | 49.1 | 4.92 | 30.8 | 45.8 | 4.52 | 31.1 | 50   | 59.2 | 7.64 | 22.9 | 55.9  | 7.04 | 23.1  | 52.5  | 6.47 | 23.2  | 50.8  | 6.20 | 23.2 | 49.1 | 5.93 | 23.3 | 45.8 | 5.41 | 23.4 |      |
|                 | 60                     | 59.2                       | 11.6   | 11.2  | 55.9  | 10.59 | 11.4  | 52.5  | 9.65  | 11.6  | 50.8  | 9.19 | 11.7 | 49.1 | 8.75 | 11.8 | 45.8 | 7.90 | 12.0 | 60   | 59.2 | 6.18 | 30.8 | 55.9 | 5.73 | 31.0  | 52.5 | 5.29 | 31.2 | 50.8 | 5.08 | 31.4 | 49.1 | 4.88 | 31.5 | 45.8 | 4.48 | 31.7 | 60   | 59.2 | 7.01 | 25.0 | 55.9  | 6.48 | 25.3  | 52.5  | 5.97 | 25.6  | 50.8  | 5.72 | 25.7 | 49.1 | 5.48 | 25.8 | 45.8 | 5.01 | 26.1 |      |
|                 | 96                     | 59.2                       | 10.5   | 12.6  | 55.9  | 9.58  | 12.7  | 52.5  | 8.75  | 12.8  | 50.8  | 8.34 | 12.9 | 49.1 | 7.95 | 13.0 | 45.8 | 7.19 | 13.1 | 96   | 59.2 | 6.04 | 32.4 | 55.9 | 5.60 | 32.5  | 52.5 | 5.17 | 32.6 | 50.8 | 4.97 | 32.7 | 49.1 | 4.77 | 32.8 | 45.8 | 4.39 | 32.9 | 96   | 59.2 | 7.71 | 22.4 | 55.9  | 7.10 | 22.6  | 52.5  | 6.52 | 22.7  | 50.8  | 6.25 | 22.8 | 49.1 | 5.97 | 22.9 | 45.8 | 5.45 | 23.0 |      |
| 40              | 50                     | 59.2                       | 12.1   | 10.49 | 55.9  | 11.03 | 10.71 | 52.5  | 10.04 | 10.94 | 50.8  | 9.56 | 11.1 | 49.1 | 9.09 | 11.2 | 45.8 | 8.20 | 11.4 | 50   | 59.2 | 5.99 | 32.9 | 55.9 | 5.55 | 33.0  | 52.5 | 5.14 | 33.1 | 50.8 | 4.94 | 33.2 | 49.1 | 4.74 | 33.2 | 45.8 | 4.36 | 33.4 | 50   | 59.2 | 6.94 | 25.8 | 55.9  | 6.42 | 26.1  | 52.5  | 5.91 | 26.3  | 50.8  | 5.67 | 26.4 | 49.1 | 5.43 | 26.5 | 45.8 | 4.97 | 26.8 |      |
|                 | 60                     | 59.2                       | 11.6   | 11.2  | 55.9  | 10.59 | 11.4  | 52.5  | 9.65  | 11.6  | 50.8  | 9.19 | 11.7 | 49.1 | 8.75 | 11.8 | 45.8 | 7.90 | 12.0 | 60   | 59.2 | 5.88 | 33.3 | 55.9 | 5.46 | 33.5  | 52.5 | 5.04 | 33.6 | 50.8 | 4.85 | 33.7 | 49.1 | 4.65 | 33.8 | 45.8 | 4.28 | 33.9 | 60   | 59.2 | 7.01 | 25.0 | 55.9  | 6.48 | 25.3  | 52.5  | 5.97 | 25.6  | 50.8  | 5.72 | 25.7 | 49.1 | 5.48 | 25.8 | 45.8 | 5.01 | 26.1 |      |
|                 | 96                     | 59.2                       | 10.5   | 12.6  | 55.9  | 9.58  | 12.7  | 52.5  | 8.75  | 12.8  | 50.8  | 8.34 | 12.9 | 49.1 | 7.95 | 13.0 | 45.8 | 7.19 | 13.1 | 96   | 59.2 | 5.69 | 32.9 | 55.9 | 5.55 | 33.0  | 52.5 | 5.14 | 33.1 | 50.8 | 4.94 | 33.2 | 49.1 | 4.74 | 33.2 | 45.8 | 4.36 | 33.4 | 96   | 59.2 | 6.77 | 27.4 | 55.9  | 6.26 | 27.5  | 52.5  | 5.77 | 27.7  | 50.8  | 5.53 | 27.7 | 49.1 | 5.30 | 27.8 | 45.8 | 4.86 | 28.0 |      |
| 45              | 50                     | 59.2                       | 12.1   | 10.49 | 55.9  | 11.03 | 10.71 | 52.5  | 10.04 | 10.94 | 50.8  | 9.56 | 11.1 | 49.1 | 9.09 | 11.2 | 45.8 | 8.20 | 11.4 | 50   | 59.2 | 5.74 | 33.9 | 55.9 | 5.32 | 34.2  | 52.5 | 4.92 | 34.6 | 50.8 | 4.73 | 34.7 | 49.1 | 4.54 | 34.8 | 45.8 | 4.17 | 34.9 | 50   | 59.2 | 6.94 | 25.8 | 55.9  | 6.42 | 26.1  | 52.5  | 5.91 | 26.3  | 50.8  | 5.67 | 26.4 | 49.1 | 5.43 | 26.5 | 45.8 | 4.97 | 26.8 |      |
|                 | 60                     | 59.2                       | 11.6   | 11.2  | 55.9  | 10.59 | 11.4  | 52.5  | 9.65  | 11.6  | 50.8  | 9.19 | 11.7 | 49.1 | 8.75 | 11.8 | 45.8 | 7.90 | 12.0 | 60   | 59.2 | 5.59 | 32.9 | 55.9 | 5.55 | 33.0  | 52.5 | 5.14 | 33.1 | 50.8 | 4.94 | 33.2 | 49.1 | 4.74 | 33.2 | 45.8 | 4.36 | 33.4 |      |      |      |      |       |      |       |       |      |       |       |      |      |      |      |      |      |      |      |      |



# 4 Capacity tables

## 4 - 3 Heating capacity tables

| RWEYQ26PY1      |                        | TC: Total Capacity: kW ; PI: Power Input: kW (compressor + outdoor fan motor) ; OWT: Outlet Water Temperatur: °C |                              |      |      |      |      |      |      |      |      |      |      |      |      |      |      |      |      |      |
|-----------------|------------------------|--|------------------------------|------|------|------|------|------|------|------|------|------|------|------|------|------|------|------|------|------|
| Combination (%) | Inlet Water Temp. (°C) | Water Volume (note2) L/min   | Indoor air temperature: °CWB |      |      |      |      |      |      |      |      |      |      |      |      |      |      |      |      |      |
|                 |                        |  | 16.0                         |      |      | 18.0 |      |      | 20.0 |      |      | 21.0 |      |      | 22.0 |      |      | 24.0 |      |      |
|                 |                        |  | TC                           | PI   | OWT  | TC   | PI   | OWT  | TC   | PI   | OWT  | TC   | PI   | OWT  | TC   | PI   | OWT  | TC   | PI   | OWT  |
| 130             | 10                     | 50   | 38.3                         | 9.4  | 7.24 | 39.9 | 8.6  | 7.01 | 41.3 | 8.0  | 6.82 | 41.9 | 7.7  | 6.74 | 42.4 | 7.4  | 6.66 | 43.3 | 7.1  | 6.54 |
|                 |                        | 60   | 47.5                         | 9.4  | 6.96 | 48.6 | 8.9  | 6.83 | 49.5 | 8.5  | 6.73 | 49.9 | 8.3  | 6.69 | 50.2 | 8.2  | 6.66 | 50.7 | 8.1  | 6.61 |
|                 |                        | 96   | 65.9                         | 11.1 | 7.27 | 66.1 | 11.1 | 7.26 | 66.3 | 11.1 | 7.26 | 66.3 | 11.2 | 7.26 | 66.2 | 11.3 | 7.27 | 66.0 | 11.6 | 7.29 |
|                 | 15                     | 50   | 69.2                         | 11.4 | 9.47 | 69.4 | 11.4 | 9.46 | 69.5 | 11.6 | 9.48 | 69.3 | 11.7 | 9.51 | 69.2 | 11.8 | 9.52 | 68.9 | 12.2 | 9.58 |
|                 |                        | 60   | 71.2                         | 11.4 | 10.2 | 71.3 | 11.5 | 10.2 | 71.2 | 11.7 | 10.3 | 71.1 | 11.8 | 10.3 | 71.0 | 12.0 | 10.3 | 70.6 | 12.4 | 10.4 |
|                 |                        | 96   | 76.4                         | 11.6 | 11.8 | 76.3 | 11.8 | 11.8 | 76.0 | 12.0 | 11.8 | 75.9 | 12.2 | 11.8 | 75.7 | 12.4 | 11.9 | 75.2 | 12.8 | 11.9 |
|                 | 20                     | 50   | 83.0                         | 11.9 | 13.2 | 82.7 | 12.2 | 13.3 | 82.3 | 12.5 | 13.3 | 82.0 | 12.7 | 13.4 | 81.7 | 12.9 | 13.4 | 81.0 | 13.4 | 13.5 |
|                 |                        | 60   | 83.5                         | 11.9 | 14.3 | 83.2 | 12.2 | 14.3 | 82.8 | 12.6 | 14.4 | 82.5 | 12.8 | 14.4 | 82.2 | 13.0 | 14.5 | 81.6 | 13.5 | 14.6 |
|                 |                        | 96   | 85.0                         | 12.0 | 16.4 | 84.7 | 12.3 | 16.4 | 84.2 | 12.7 | 16.4 | 83.9 | 12.9 | 16.5 | 83.6 | 13.1 | 16.5 | 82.9 | 13.6 | 16.6 |
|                 | 25                     | 50   | 91.4                         | 12.5 | 17.5 | 90.9 | 12.8 | 17.5 | 90.3 | 13.2 | 17.6 | 89.9 | 13.5 | 17.7 | 89.5 | 13.7 | 17.8 | 88.7 | 14.2 | 17.9 |
|                 |                        | 60   | 92.0                         | 12.5 | 18.7 | 91.5 | 12.9 | 18.7 | 90.9 | 13.3 | 18.8 | 90.5 | 13.5 | 18.9 | 90.1 | 13.8 | 18.9 | 89.2 | 14.3 | 19.0 |
|                 |                        | 96   | 93.6                         | 12.6 | 21.0 | 93.0 | 13.0 | 21.0 | 92.4 | 13.4 | 21.1 | 92.0 | 13.7 | 21.1 | 91.6 | 13.9 | 21.1 | 90.7 | 14.4 | 21.2 |
| 30              | 50                     | 99.7   | 13.1                         | 21.7 | 99.0 | 13.6 | 21.8 | 98.2 | 14.0 | 22.0 | 97.8 | 14.2 | 22.0 | 97.3 | 14.5 | 22.1 | 92.3 | 13.6 | 22.5 |      |
|                 | 60                     | 100  | 13.2                         | 23.1 | 99.7 | 13.6 | 23.1 | 98.9 | 14.1 | 23.2 | 98.4 | 14.3 | 23.3 | 98.0 | 14.6 | 23.4 | 92.3 | 13.4 | 23.7 |      |
|                 | 96                     | 102  | 13.3                         | 25.6 | 101  | 13.7 | 25.6 | 100  | 14.2 | 25.7 | 100  | 14.4 | 25.7 | 99.1 | 14.6 | 25.8 | 92.3 | 13.0 | 26.1 |      |
| 35              | 50                     | 103  | 13.4                         | 26.4 | 102  | 13.8 | 26.5 | 101  | 14.2 | 26.5 | 101  | 14.5 | 26.6 | 99.1 | 14.4 | 26.6 | 92.3 | 12.9 | 26.8 |      |
|                 | 60                     | 108  | 13.9                         | 26.0 | 107  | 14.3 | 26.1 | 106  | 14.7 | 26.3 | 103  | 13.9 | 26.5 | 99.1 | 13.2 | 26.8 | 92.3 | 11.9 | 27.3 |      |
|                 | 96                     | 109  | 13.9                         | 27.5 | 108  | 14.3 | 27.6 | 106  | 14.5 | 27.7 | 103  | 13.8 | 27.9 | 99.1 | 13.1 | 28.1 | 92.3 | 11.7 | 28.6 |      |
| 40              | 50                     | 110  | 14.1                         | 30.2 | 110  | 14.5 | 30.3 | 106  | 14.1 | 30.4 | 103  | 13.4 | 30.6 | 99.1 | 12.7 | 30.7 | 92.3 | 11.4 | 31.0 |      |
|                 | 60                     | 111  | 14.1                         | 31.1 | 110  | 14.5 | 31.2 | 106  | 14.0 | 31.3 | 103  | 13.3 | 31.4 | 99.1 | 12.6 | 31.6 | 92.3 | 11.3 | 31.8 |      |
|                 | 96                     | 116  | 14.6                         | 30.3 | 113  | 14.2 | 30.6 | 106  | 14.1 | 31.2 | 103  | 13.4 | 31.5 | 99.1 | 12.7 | 31.7 | 92.3 | 11.5 | 32.3 |      |
| 45              | 50                     | 117  | 14.6                         | 31.8 | 113  | 14.1 | 32.1 | 106  | 13.9 | 32.7 | 103  | 13.3 | 32.9 | 99.1 | 12.6 | 33.1 | 92.3 | 11.4 | 33.6 |      |
|                 | 60                     | 119  | 14.8                         | 34.8 | 113  | 13.7 | 35.1 | 106  | 13.6 | 35.4 | 103  | 12.9 | 35.5 | 99.1 | 12.3 | 35.7 | 92.3 | 11.1 | 36.0 |      |
|                 | 96                     | 120  | 14.8                         | 35.8 | 113  | 13.6 | 36.1 | 106  | 13.4 | 36.3 | 103  | 12.8 | 36.4 | 99.1 | 12.2 | 36.5 | 92.3 | 11.0 | 36.8 |      |
| 120             | 10                     | 50   | 40.4                         | 8.4  | 6.94 | 41.6 | 7.8  | 6.77 | 42.6 | 7.4  | 6.63 | 43.0 | 7.2  | 6.58 | 43.4 | 7.0  | 6.53 | 44.0 | 6.8  | 6.45 |
|                 |                        | 60   | 49.0                         | 8.7  | 6.79 | 49.7 | 8.4  | 6.71 | 50.3 | 8.2  | 6.65 | 50.5 | 8.1  | 6.62 | 50.7 | 8.1  | 6.61 | 50.9 | 8.1  | 6.59 |
|                 |                        | 96   | 66.2                         | 11.1 | 7.26 | 66.3 | 11.2 | 7.26 | 66.2 | 11.4 | 7.27 | 66.1 | 11.5 | 7.28 | 66.0 | 11.7 | 7.30 | 65.6 | 12.0 | 7.33 |
|                 | 15                     | 50   | 69.4                         | 11.5 | 9.47 | 69.4 | 11.7 | 9.49 | 69.2 | 11.9 | 9.53 | 69.0 | 12.1 | 9.56 | 68.9 | 12.2 | 9.59 | 68.4 | 12.7 | 9.67 |
|                 |                        | 60   | 71.3                         | 11.6 | 10.2 | 71.2 | 11.8 | 10.3 | 71.0 | 12.1 | 10.3 | 70.8 | 12.2 | 10.3 | 70.6 | 12.4 | 10.4 | 70.1 | 12.9 | 10.4 |
|                 |                        | 96   | 76.2                         | 11.8 | 11.8 | 76.0 | 12.1 | 11.8 | 75.6 | 12.5 | 11.9 | 75.3 | 12.7 | 11.9 | 75.1 | 12.9 | 11.9 | 74.5 | 13.3 | 12.0 |
|                 | 20                     | 50   | 82.5                         | 12.3 | 13.3 | 82.1 | 12.6 | 13.4 | 81.6 | 13.0 | 13.5 | 81.3 | 13.3 | 13.5 | 80.9 | 13.5 | 13.6 | 80.2 | 14.0 | 13.7 |
|                 |                        | 60   | 83.1                         | 12.3 | 14.4 | 82.7 | 12.7 | 14.4 | 82.1 | 13.1 | 14.5 | 81.8 | 13.3 | 14.5 | 81.5 | 13.5 | 14.6 | 80.7 | 14.1 | 14.7 |
|                 |                        | 96   | 84.5                         | 12.5 | 16.4 | 84.1 | 12.8 | 16.5 | 83.5 | 13.2 | 16.5 | 83.2 | 13.4 | 16.5 | 82.8 | 13.7 | 16.6 | 82.0 | 14.2 | 16.6 |
|                 | 25                     | 50   | 90.7                         | 13.0 | 17.6 | 90.1 | 13.4 | 17.7 | 89.4 | 13.8 | 17.8 | 89.0 | 14.0 | 17.8 | 88.6 | 14.3 | 17.9 | 85.2 | 13.9 | 18.2 |
|                 |                        | 60   | 91.3                         | 13.0 | 18.8 | 90.7 | 13.4 | 18.9 | 90.0 | 13.9 | 18.9 | 89.6 | 14.1 | 19.0 | 89.1 | 14.4 | 19.0 | 85.2 | 13.7 | 19.3 |
|                 |                        | 96   | 92.8                         | 13.2 | 21.0 | 92.2 | 13.6 | 21.1 | 91.4 | 14.0 | 21.1 | 91.0 | 14.3 | 21.2 | 90.6 | 14.5 | 21.2 | 85.2 | 13.3 | 21.4 |
| 30              | 50                     | 98.8   | 13.7                         | 21.9 | 98.0 | 14.1 | 22.0 | 97.2 | 14.6 | 22.1 | 94.7 | 14.1 | 22.3 | 91.5 | 13.4 | 22.5 | 85.2 | 12.0 | 23.0 |      |
|                 | 60                     | 99.4   | 13.8                         | 23.2 | 98.6 | 14.2 | 23.3 | 97.8 | 14.7 | 23.4 | 94.7 | 13.9 | 23.6 | 91.5 | 13.2 | 23.8 | 85.2 | 11.9 | 24.2 |      |
|                 | 96                     | 101  | 13.9                         | 25.7 | 100  | 14.3 | 25.7 | 97.8 | 14.3 | 25.8 | 94.7 | 13.5 | 26.0 | 91.5 | 12.9 | 26.1 | 85.2 | 11.6 | 26.3 |      |
| 35              | 50                     | 107  | 14.4                         | 26.2 | 104  | 14.3 | 26.4 | 97.8 | 13.0 | 26.9 | 94.7 | 12.3 | 27.1 | 91.5 | 11.7 | 27.4 | 85.2 | 10.5 | 27.9 |      |
|                 | 60                     | 108  | 14.5                         | 27.6 | 104  | 14.1 | 27.8 | 97.8 | 12.8 | 28.2 | 94.7 | 12.2 | 28.4 | 91.5 | 11.6 | 28.6 | 85.2 | 10.4 | 29.0 |      |
|                 | 96                     | 109  | 14.7                         | 30.3 | 104  | 13.7 | 30.5 | 97.8 | 12.5 | 30.8 | 94.7 | 11.9 | 30.9 | 91.5 | 11.3 | 31.0 | 85.2 | 10.2 | 31.3 |      |
| 40              | 50                     | 110  | 14.7                         | 31.2 | 104  | 13.6 | 31.4 | 97.8 | 12.4 | 31.6 | 94.7 | 11.8 | 31.7 | 91.5 | 11.2 | 31.8 | 85.2 | 10.1 | 32.0 |      |
|                 | 60                     | 110  | 13.8                         | 30.8 | 104  | 13.7 | 31.4 | 97.8 | 12.5 | 31.8 | 94.7 | 11.9 | 32.1 | 91.5 | 11.3 | 32.3 | 85.2 | 10.2 | 32.8 |      |
|                 | 96                     | 110  | 13.6                         | 32.3 | 104  | 13.6 | 32.8 | 97.8 | 12.4 | 33.2 | 94.7 | 11.8 | 33.4 | 91.5 | 11.2 | 33.6 | 85.2 | 10.1 | 34.0 |      |
| 45              | 50                     | 110  | 13.2                         | 35.2 | 104  | 13.2 | 35.5 | 97.8 | 12.0 | 35.7 | 94.7 | 11.5 | 35.9 | 91.5 | 10.9 | 36.0 | 85.2 | 9.86 | 36.2 |      |
|                 | 60                     | 110  | 13.1                         | 36.1 | 104  | 13.1 | 36.4 | 97.8 | 11.9 | 36.6 | 94.7 | 11.4 | 36.7 | 91.5 | 10.8 | 36.8 | 85.2 | 9.78 | 37.0 |      |
|                 | 96                     | 110  | 13.4                         | 35.7 | 104  | 13.2 | 36.3 | 97.8 | 12.1 | 36.8 | 94.7 | 11.5 | 37.1 | 91.5 | 11.0 | 37.3 | 85.2 | 9.94 | 37.8 |      |
| 110             | 10                     | 50   | 42.1                         | 7.6  | 6.70 | 42.9 | 7.2  | 6.59 | 43.6 | 7.0  | 6.50 | 43.8 | 6.9  | 6.47 | 44.1 | 6.8  | 6.44 | 44.4 | 6.8  | 6.41 |
|                 |                        | 60   | 50.0                         | 8.3  | 6.68 | 50.5 | 8.1  | 6.63 | 50.8 | 8.1  | 6.60 | 50.9 | 8.1  | 6.59 | 51.0 | 8.1  | 6.59 | 51.0 | 8.2  | 6.60 |
|                 |                        | 96   | 66.2                         | 11.3 | 7.26 | 66.1 | 11.5 | 7.28 | 65.9 | 11.8 | 7.31 | 65.7 | 11.9 | 7.32 | 65.5 | 12.1 | 7.34 | 65.0 | 12.6 | 7.39 |
|                 | 15                     | 50   | 69.4                         | 11.9 | 7.71 | 69.2 | 12.2 | 7.73 | 68.9 | 12.5 | 7.76 | 68.7 | 12.7 | 7.77 | 68.4 | 12.9 | 7.79 | 67.9 | 13.4 | 7.83 |
|                 |                        | 60   | 69.3                         | 11.8 | 9.50 | 69.1 | 12.0 | 9.55 | 68.7 | 12.4 | 9.61 | 68.5 | 12.6 | 9.65 | 68.3 | 12.8 | 9.69 | 67.8 | 13.2 | 9.79 |
|                 |                        | 96   | 71.1                         | 11.9 | 10.3 | 70.8 | 12.2 | 10.3 | 70.5 | 12.5 | 10.4 | 70.2 | 12.7 | 10.4 | 70.0 | 13.0 | 10.5 | 69.4 | 13.4 | 10.5 |
|                 | 20                     | 50   | 75.8                         | 12.3 | 11.8 | 75.4 | 12.6 | 11.9 | 74.9 | 13.0 | 11.9 | 74.6 | 13.2 | 11.9 | 74.3 | 13.5 | 12.0 | 73.6 | 14.0 | 12.0 |
|                 |                        | 60   | 77.4                         | 12.4 | 12.4 | 77.0 | 12.8 | 12.4 | 76.5 | 13.2 | 12.5 | 76.2 | 13.4 | 12.5 | 75.9 | 13.6 | 12.5 | 75.1 | 14.2 | 12.6 |
|                 |                        | 96   | 81.9                         | 12.8 | 13.4 | 81.4 | 13.2 | 13.5 | 80.7 | 13.6 | 13.6 | 80.4 | 13.9 | 13.6 | 80.0 | 14.1 | 13.7 | 78.1 | 14.2 | 13.9 |
|                 | 25                     | 50   | 82.4                         | 12.9 | 14.5 | 81.9 | 13.2 | 14.5 | 81.3 | 13.7 | 14.6 | 80.9 | 13.9 | 14.7 | 80.5 | 14.2 | 14.7 | 78.1 | 14.0 | 14.9 |
|                 |                        | 60   | 83.8                         | 13.0 | 16.5 | 83.2 | 13.4 | 16.5 | 82.6 | 13.8 | 16.6 | 82.2 | 14.1 | 16.6 | 81.8 | 14.3 | 16.6 | 78.1 | 13.6 | 16.8 |
|                 |                        | 96   | 84.3                         | 13.0 | 17.2 | 83.7 | 13.4 | 17.2 | 83.0 | 13.9 | 17.2 | 82.7 | 14.1 | 17.3 | 82.3 | 14.4 | 17.3 | 78.1 | 13.5 | 17.4 |
| 30              | 50                     | 89.8   | 13.6                         | 17.7 | 89.1 | 14.0 | 17.8 | 88.3 | 14.5 | 17.9 | 86.8 | 14.2 | 18.1 | 83.9 | 13.5 | 18.3 | 78.1 | 12.1 | 18.7 |      |
|                 | 60                     | 90.3   | 13.6                         | 18.9 | 89.7 | 14.0 | 19.0 | 88.9 | 14.5 | 19.1 | 86.8 | 14.1 | 19.2 | 83.9 | 13.4 | 19.4 | 78.1 | 12.0 | 19.7 |      |
|                 | 96                     | 91.8   | 13.8                         | 21.1 | 91.1 | 14.2 | 21.2 | 89.7 | 14.4 | 21.3 | 86.8 | 13.7 | 21.4 | 83.9 | 13.0 | 21.5 | 78.1 | 11.7 | 21.7 |      |
| 35              | 50                     | 92.3   | 13.8                         | 21.9 | 91.6 | 14.2 | 21.9 | 89.7 | 14.3 | 22.0 | 86.8 | 13.6 | 22.1 | 83.9 | 12.9 | 22.2 | 78.1 | 11.6 | 22.4 |      |
|                 | 60                     | 97.6   | 14.3                         | 22.0 | 95.4 | 14.3 | 22.2 | 89.7 | 13.0 | 22.7 | 86.8 | 12.3 | 22.9 | 83.9 | 11.7 | 23.1 | 78.1 | 10.5 | 23.5 |      |
|                 | 96                     | 98.2   | 14.4                         | 23.3 | 95.4 | 14.1 | 23.5 | 89.7 | 12.8 | 23.9 | 86.8 | 12.2 | 24.1 | 83.9 | 11.6 | 24.2 | 78.1 | 10.4 |      |      |

# 4 Capacity tables

## 4 - 3 Heating capacity tables

| RWEYQ26PY1      |                        |                            | TC: Total Capacity: kW ; PI: Power Input: kW (compressor + outdoor fan motor) ; OWT: Outlet Water Temperatur: °C |      |      |      |      |      |      |      |      |      |      |      |      |      |      |      |      |      |      |      |      |      |      |      |      |      |      |      |      |      |      |      |      |      |      |      |      |      |      |      |      |      |      |      |      |      |      |      |      |      |      |      |      |      |      |      |      |      |      |      |      |      |      |      |      |      |      |      |      |      |      |      |      |      |      |
|-----------------|------------------------|----------------------------|--|------|------|------|------|------|------|------|------|------|------|------|------|------|------|------|------|------|------|------|------|------|------|------|------|------|------|------|------|------|------|------|------|------|------|------|------|------|------|------|------|------|------|------|------|------|------|------|------|------|------|------|------|------|------|------|------|------|------|------|------|------|------|------|------|------|------|------|------|------|------|------|------|------|------|
| Combination (%) | Inlet Water Temp. (°C) | Water Volume (note2) L/min | Indoor air temperature: °CWB   |      |      |      |      |      |      |      |      |      |      |      |      |      |      |      |      |      |      |      |      |      |      |      |      |      |      |      |      |      |      |      |      |      |      |      |      |      |      |      |      |      |      |      |      |      |      |      |      |      |      |      |      |      |      |      |      |      |      |      |      |      |      |      |      |      |      |      |      |      |      |      |      |      |      |
|                 |                        |                            | 16.0   |      |      | 18.0 |      |      | 20.0 |      |      | 21.0 |      |      | 22.0 |      |      | 24.0 |      |      |      |      |      |      |      |      |      |      |      |      |      |      |      |      |      |      |      |      |      |      |      |      |      |      |      |      |      |      |      |      |      |      |      |      |      |      |      |      |      |      |      |      |      |      |      |      |      |      |      |      |      |      |      |      |      |      |      |
|                 |                        |                            | TC   | PI   | OWT  | TC   | PI   | OWT  | TC   | PI   | OWT  | TC   | PI   | OWT  | TC   | PI   | OWT  | TC   | PI   | OWT  |      |      |      |      |      |      |      |      |      |      |      |      |      |      |      |      |      |      |      |      |      |      |      |      |      |      |      |      |      |      |      |      |      |      |      |      |      |      |      |      |      |      |      |      |      |      |      |      |      |      |      |      |      |      |      |      |      |
| 100             | 10                     | 50                         | 43.3   | 7.1  | 6.54 | 43.8 | 6.9  | 6.47 | 44.2 | 6.8  | 6.42 | 44.3 | 6.8  | 6.41 | 44.4 | 6.8  | 6.40 | 44.5 | 6.8  | 6.40 | 50   | 50.7 | 8.1  | 6.61 | 50.9 | 8.1  | 6.59 | 51.0 | 8.1  | 6.59 | 51.0 | 8.2  | 6.59 | 50.9 | 8.3  | 6.60 | 50.8 | 8.5  | 6.63 | 50   | 66.0 | 11.6 | 7.30 | 65.7 | 11.9 | 7.32 | 65.3 | 12.3 | 7.36 | 65.1 | 12.5 | 7.38 | 64.9 | 12.7 | 7.41 | 64.3 | 13.2 | 7.46 | 50   | 69.0 | 12.4 | 7.74 | 68.7 | 12.7 | 7.77 | 68.2 | 13.1 | 7.81 | 68.0 | 13.3 | 7.82 | 67.7 | 13.6 | 7.85 | 67.1 | 14.1 | 7.89 |
|                 |                        | 60                         | 50.7   | 8.1  | 6.61 | 50.9 | 8.1  | 6.59 | 51.0 | 8.1  | 6.59 | 51.0 | 8.2  | 6.59 | 50.9 | 8.3  | 6.60 | 50.8 | 8.5  | 6.63 | 60   | 68.9 | 12.2 | 9.59 | 68.5 | 12.6 | 9.65 | 68.1 | 13.0 | 9.73 | 67.8 | 13.2 | 9.78 | 67.6 | 13.4 | 9.83 | 66.9 | 13.9 | 9.93 | 60   | 70.6 | 12.4 | 10.4 | 70.2 | 12.7 | 10.4 | 69.7 | 13.1 | 10.5 | 69.5 | 13.4 | 10.5 | 69.2 | 13.6 | 10.6 | 68.5 | 14.1 | 10.7 | 60   | 75.1 | 12.8 | 11.9 | 74.6 | 13.2 | 11.9 | 74.1 | 13.7 | 12.0 | 73.7 | 13.9 | 12.0 | 73.4 | 14.1 | 12.1 | 71.0 | 13.9 | 12.2 |
|                 |                        | 96                         | 66.0   | 11.6 | 7.30 | 65.7 | 11.9 | 7.32 | 65.3 | 12.3 | 7.36 | 65.1 | 12.5 | 7.38 | 64.9 | 12.7 | 7.41 | 64.3 | 13.2 | 7.46 | 96   | 82.9 | 13.6 | 16.6 | 82.2 | 14.1 | 16.6 | 81.5 | 14.5 | 16.7 | 80.9 | 14.8 | 16.8 | 78.9 | 13.8 | 16.8 | 76.3 | 13.1 | 16.9 | 96   | 83.3 | 13.7 | 17.2 | 82.6 | 14.1 | 17.3 | 81.5 | 14.4 | 17.3 | 80.9 | 14.7 | 17.4 | 78.9 | 13.7 | 17.4 | 76.3 | 13.0 | 17.5 | 96   | 88.6 | 14.3 | 17.9 | 86.7 | 14.2 | 18.1 | 81.5 | 14.2 | 18.1 | 81.5 | 14.2 | 18.1 | 78.9 | 13.7 | 17.4 | 76.3 | 13.0 | 17.5 |
|                 |                        | 120                        | 69.0   | 12.4 | 7.74 | 68.7 | 12.7 | 7.77 | 68.2 | 13.1 | 7.81 | 68.0 | 13.3 | 7.82 | 67.7 | 13.6 | 7.85 | 67.1 | 14.1 | 7.89 | 120  | 83.3 | 13.7 | 17.2 | 82.6 | 14.1 | 17.3 | 81.5 | 14.4 | 17.3 | 80.9 | 14.7 | 17.4 | 78.9 | 13.7 | 17.4 | 76.3 | 13.0 | 17.5 | 120  | 88.6 | 14.3 | 17.9 | 86.7 | 14.2 | 18.1 | 81.5 | 14.2 | 18.1 | 81.5 | 14.2 | 18.1 | 78.9 | 13.7 | 17.4 | 76.3 | 13.0 | 17.5 | 120  | 91.1 | 14.5 | 22.0 | 86.7 | 13.6 | 22.1 | 81.5 | 12.3 | 22.2 | 78.9 | 11.7 | 22.3 | 76.3 | 11.2 | 22.4 | 71.0 | 10.0 | 22.6 |
|                 | 15                     | 50                         | 50.7   | 8.1  | 6.61 | 50.9 | 8.1  | 6.59 | 51.0 | 8.1  | 6.59 | 51.0 | 8.2  | 6.59 | 50.9 | 8.3  | 6.60 | 50.8 | 8.5  | 6.63 | 50   | 68.9 | 12.2 | 9.59 | 68.5 | 12.6 | 9.65 | 68.1 | 13.0 | 9.73 | 67.8 | 13.2 | 9.78 | 67.6 | 13.4 | 9.83 | 66.9 | 13.9 | 9.93 | 50   | 70.6 | 12.4 | 10.4 | 70.2 | 12.7 | 10.4 | 69.7 | 13.1 | 10.5 | 69.5 | 13.4 | 10.5 | 69.2 | 13.6 | 10.6 | 68.5 | 14.1 | 10.7 | 50   | 75.1 | 12.8 | 11.9 | 74.6 | 13.2 | 11.9 | 74.1 | 13.7 | 12.0 | 73.7 | 13.9 | 12.0 | 73.4 | 14.1 | 12.1 | 71.0 | 13.9 | 12.2 |
|                 |                        | 60                         | 68.9   | 12.2 | 9.59 | 68.5 | 12.6 | 9.65 | 68.1 | 13.0 | 9.73 | 67.8 | 13.2 | 9.78 | 67.6 | 13.4 | 9.83 | 66.9 | 13.9 | 9.93 | 60   | 82.9 | 13.6 | 16.6 | 82.2 | 14.1 | 16.6 | 81.5 | 14.5 | 16.7 | 80.9 | 14.8 | 16.8 | 78.9 | 13.8 | 16.8 | 76.3 | 13.1 | 16.9 | 60   | 83.3 | 13.7 | 17.2 | 82.6 | 14.1 | 17.3 | 81.5 | 14.4 | 17.3 | 80.9 | 14.7 | 17.4 | 78.9 | 13.7 | 17.4 | 76.3 | 13.0 | 17.5 | 60   | 88.6 | 14.3 | 17.9 | 86.7 | 14.2 | 18.1 | 81.5 | 14.2 | 18.1 | 81.5 | 14.2 | 18.1 | 78.9 | 13.7 | 17.4 | 76.3 | 13.0 | 17.5 |
|                 |                        | 96                         | 66.0   | 11.6 | 7.30 | 65.7 | 11.9 | 7.32 | 65.3 | 12.3 | 7.36 | 65.1 | 12.5 | 7.38 | 64.9 | 12.7 | 7.41 | 64.3 | 13.2 | 7.46 | 96   | 82.9 | 13.6 | 16.6 | 82.2 | 14.1 | 16.6 | 81.5 | 14.5 | 16.7 | 80.9 | 14.8 | 16.8 | 78.9 | 13.8 | 16.8 | 76.3 | 13.1 | 16.9 | 96   | 83.3 | 13.7 | 17.2 | 82.6 | 14.1 | 17.3 | 81.5 | 14.4 | 17.3 | 80.9 | 14.7 | 17.4 | 78.9 | 13.7 | 17.4 | 76.3 | 13.0 | 17.5 | 96   | 88.6 | 14.3 | 17.9 | 86.7 | 14.2 | 18.1 | 81.5 | 14.2 | 18.1 | 81.5 | 14.2 | 18.1 | 78.9 | 13.7 | 17.4 | 76.3 | 13.0 | 17.5 |
|                 |                        | 120                        | 69.0   | 12.4 | 7.74 | 68.7 | 12.7 | 7.77 | 68.2 | 13.1 | 7.81 | 68.0 | 13.3 | 7.82 | 67.7 | 13.6 | 7.85 | 67.1 | 14.1 | 7.89 | 120  | 83.3 | 13.7 | 17.2 | 82.6 | 14.1 | 17.3 | 81.5 | 14.4 | 17.3 | 80.9 | 14.7 | 17.4 | 78.9 | 13.7 | 17.4 | 76.3 | 13.0 | 17.5 | 120  | 88.6 | 14.3 | 17.9 | 86.7 | 14.2 | 18.1 | 81.5 | 14.2 | 18.1 | 81.5 | 14.2 | 18.1 | 78.9 | 13.7 | 17.4 | 76.3 | 13.0 | 17.5 | 120  | 91.1 | 14.5 | 22.0 | 86.7 | 13.6 | 22.1 | 81.5 | 12.3 | 22.2 | 78.9 | 11.7 | 22.3 | 76.3 | 11.2 | 22.4 | 71.0 | 10.0 | 22.6 |
|                 | 20                     | 50                         | 50.7   | 8.1  | 6.61 | 50.9 | 8.1  | 6.59 | 51.0 | 8.1  | 6.59 | 51.0 | 8.2  | 6.59 | 50.9 | 8.3  | 6.60 | 50.8 | 8.5  | 6.63 | 50   | 68.9 | 12.2 | 9.59 | 68.5 | 12.6 | 9.65 | 68.1 | 13.0 | 9.73 | 67.8 | 13.2 | 9.78 | 67.6 | 13.4 | 9.83 | 66.9 | 13.9 | 9.93 | 50   | 70.6 | 12.4 | 10.4 | 70.2 | 12.7 | 10.4 | 69.7 | 13.1 | 10.5 | 69.5 | 13.4 | 10.5 | 69.2 | 13.6 | 10.6 | 68.5 | 14.1 | 10.7 | 50   | 75.1 | 12.8 | 11.9 | 74.6 | 13.2 | 11.9 | 74.1 | 13.7 | 12.0 | 73.7 | 13.9 | 12.0 | 73.4 | 14.1 | 12.1 | 71.0 | 13.9 | 12.2 |
|                 |                        | 60                         | 68.9   | 12.2 | 9.59 | 68.5 | 12.6 | 9.65 | 68.1 | 13.0 | 9.73 | 67.8 | 13.2 | 9.78 | 67.6 | 13.4 | 9.83 | 66.9 | 13.9 | 9.93 | 60   | 82.9 | 13.6 | 16.6 | 82.2 | 14.1 | 16.6 | 81.5 | 14.5 | 16.7 | 80.9 | 14.8 | 16.8 | 78.9 | 13.8 | 16.8 | 76.3 | 13.1 | 16.9 | 60   | 83.3 | 13.7 | 17.2 | 82.6 | 14.1 | 17.3 | 81.5 | 14.4 | 17.3 | 80.9 | 14.7 | 17.4 | 78.9 | 13.7 | 17.4 | 76.3 | 13.0 | 17.5 | 60   | 88.6 | 14.3 | 17.9 | 86.7 | 14.2 | 18.1 | 81.5 | 14.2 | 18.1 | 81.5 | 14.2 | 18.1 | 78.9 | 13.7 | 17.4 | 76.3 | 13.0 | 17.5 |
|                 |                        | 96                         | 66.0   | 11.6 | 7.30 | 65.7 | 11.9 | 7.32 | 65.3 | 12.3 | 7.36 | 65.1 | 12.5 | 7.38 | 64.9 | 12.7 | 7.41 | 64.3 | 13.2 | 7.46 | 96   | 82.9 | 13.6 | 16.6 | 82.2 | 14.1 | 16.6 | 81.5 | 14.5 | 16.7 | 80.9 | 14.8 | 16.8 | 78.9 | 13.8 | 16.8 | 76.3 | 13.1 | 16.9 | 96   | 83.3 | 13.7 | 17.2 | 82.6 | 14.1 | 17.3 | 81.5 | 14.4 | 17.3 | 80.9 | 14.7 | 17.4 | 78.9 | 13.7 | 17.4 | 76.3 | 13.0 | 17.5 | 96   | 88.6 | 14.3 | 17.9 | 86.7 | 14.2 | 18.1 | 81.5 | 14.2 | 18.1 | 81.5 | 14.2 | 18.1 | 78.9 | 13.7 | 17.4 | 76.3 | 13.0 | 17.5 |
|                 |                        | 120                        | 69.0   | 12.4 | 7.74 | 68.7 | 12.7 | 7.77 | 68.2 | 13.1 | 7.81 | 68.0 | 13.3 | 7.82 | 67.7 | 13.6 | 7.85 | 67.1 | 14.1 | 7.89 | 120  | 83.3 | 13.7 | 17.2 | 82.6 | 14.1 | 17.3 | 81.5 | 14.4 | 17.3 | 80.9 | 14.7 | 17.4 | 78.9 | 13.7 | 17.4 | 76.3 | 13.0 | 17.5 | 120  | 88.6 | 14.3 | 17.9 | 86.7 | 14.2 | 18.1 | 81.5 | 14.2 | 18.1 | 81.5 | 14.2 | 18.1 | 78.9 | 13.7 | 17.4 | 76.3 | 13.0 | 17.5 | 120  | 91.1 | 14.5 | 22.0 | 86.7 | 13.6 | 22.1 | 81.5 | 12.3 | 22.2 | 78.9 | 11.7 | 22.3 | 76.3 | 11.2 | 22.4 | 71.0 | 10.0 | 22.6 |
| 25              | 50                     | 50.7                       | 8.1  | 6.61 | 50.9 | 8.1  | 6.59 | 51.0 | 8.1  | 6.59 | 51.0 | 8.2  | 6.59 | 50.9 | 8.3  | 6.60 | 50.8 | 8.5  | 6.63 | 50   | 68.9 | 12.2 | 9.59 | 68.5 | 12.6 | 9.65 | 68.1 | 13.0 | 9.73 | 67.8 | 13.2 | 9.78 | 67.6 | 13.4 | 9.83 | 66.9 | 13.9 | 9.93 | 50   | 70.6 | 12.4 | 10.4 | 70.2 | 12.7 | 10.4 | 69.7 | 13.1 | 10.5 | 69.5 | 13.4 | 10.5 | 69.2 | 13.6 | 10.6 | 68.5 | 14.1 | 10.7 | 50   | 75.1 | 12.8 | 11.9 | 74.6 | 13.2 | 11.9 | 74.1 | 13.7 | 12.0 | 73.7 | 13.9 | 12.0 | 73.4 | 14.1 | 12.1 | 71.0 | 13.9 | 12.2 |      |
|                 | 60                     | 68.9                       | 12.2   | 9.59 | 68.5 | 12.6 | 9.65 | 68.1 | 13.0 | 9.73 | 67.8 | 13.2 | 9.78 | 67.6 | 13.4 | 9.83 | 66.9 | 13.9 | 9.93 | 60   | 82.9 | 13.6 | 16.6 | 82.2 | 14.1 | 16.6 | 81.5 | 14.5 | 16.7 | 80.9 | 14.8 | 16.8 | 78.9 | 13.8 | 16.8 | 76.3 | 13.1 | 16.9 | 60   | 83.3 | 13.7 | 17.2 | 82.6 | 14.1 | 17.3 | 81.5 | 14.4 | 17.3 | 80.9 | 14.7 | 17.4 | 78.9 | 13.7 | 17.4 | 76.3 | 13.0 | 17.5 | 60   | 88.6 | 14.3 | 17.9 | 86.7 | 14.2 | 18.1 | 81.5 | 14.2 | 18.1 | 81.5 | 14.2 | 18.1 | 78.9 | 13.7 | 17.4 | 76.3 | 13.0 | 17.5 |      |
|                 | 96                     | 66.0                       | 11.6   | 7.30 | 65.7 | 11.9 | 7.32 | 65.3 | 12.3 | 7.36 | 65.1 | 12.5 | 7.38 | 64.9 | 12.7 | 7.41 | 64.3 | 13.2 | 7.46 | 96   | 82.9 | 13.6 | 16.6 | 82.2 | 14.1 | 16.6 | 81.5 | 14.5 | 16.7 | 80.9 | 14.8 | 16.8 | 78.9 | 13.8 | 16.8 | 76.3 | 13.1 | 16.9 | 96   | 83.3 | 13.7 | 17.2 | 82.6 | 14.1 | 17.3 | 81.5 | 14.4 | 17.3 | 80.9 | 14.7 | 17.4 | 78.9 | 13.7 | 17.4 | 76.3 | 13.0 | 17.5 | 96   | 88.6 | 14.3 | 17.9 | 86.7 | 14.2 | 18.1 | 81.5 | 14.2 | 18.1 | 81.5 | 14.2 | 18.1 | 78.9 | 13.7 | 17.4 | 76.3 | 13.0 | 17.5 |      |
|                 | 120                    | 69.0                       | 12.4   | 7.74 | 68.7 | 12.7 | 7.77 | 68.2 | 13.1 | 7.81 | 68.0 | 13.3 | 7.82 | 67.7 | 13.6 | 7.85 | 67.1 | 14.1 | 7.89 | 120  | 83.3 | 13.7 | 17.2 | 82.6 | 14.1 | 17.3 | 81.5 | 14.4 | 17.3 | 80.9 | 14.7 | 17.4 | 78.9 | 13.7 | 17.4 | 76.3 | 13.0 | 17.5 | 120  | 88.6 | 14.3 | 17.9 | 86.7 | 14.2 | 18.1 | 81.5 | 14.2 | 18.1 | 81.5 | 14.2 | 18.1 | 78.9 | 13.7 | 17.4 | 76.3 | 13.0 | 17.5 | 120  | 91.1 | 14.5 | 22.0 | 86.7 | 13.6 | 22.1 | 81.5 | 12.3 | 22.2 | 78.9 | 11.7 | 22.3 | 76.3 | 11.2 | 22.4 | 71.0 | 10.0 | 22.6 |      |
| 30              | 50                     | 50.7                       | 8.1  | 6.61 | 50.9 | 8.1  | 6.59 | 51.0 | 8.1  | 6.59 | 51.0 | 8.2  | 6.59 | 50.9 | 8.3  | 6.60 | 50.8 | 8.5  | 6.63 | 50   | 68.9 | 12.2 | 9.59 | 68.5 | 12.6 | 9.65 | 68.1 | 13.0 | 9.73 | 67.8 | 13.2 | 9.78 | 67.6 | 13.4 | 9.83 | 66.9 | 13.9 | 9.93 | 50   | 70.6 | 12.4 | 10.4 | 70.2 | 12.7 | 10.4 | 69.7 | 13.1 | 10.5 | 69.5 | 13.4 | 10.5 | 69.2 | 13.6 | 10.6 | 68.5 | 14.1 | 10.7 | 50   | 75.1 | 12.8 | 11.9 | 74.6 | 13.2 | 11.9 | 74.1 | 13.7 | 12.0 | 73.7 | 13.9 | 12.0 | 73.4 | 14.1 | 12.1 | 71.0 | 13.9 | 12.2 |      |
|                 | 60                     | 68.9                       | 12.2   | 9.59 | 68.5 | 12.6 | 9.65 | 68.1 | 13.0 | 9.73 | 67.8 | 13.2 | 9.78 | 67.6 |      |      |      |      |      |      |      |      |      |      |      |      |      |      |      |      |      |      |      |      |      |      |      |      |      |      |      |      |      |      |      |      |      |      |      |      |      |      |      |      |      |      |      |      |      |      |      |      |      |      |      |      |      |      |      |      |      |      |      |      |      |      |      |

# 4 Capacity tables

## 4 - 3 Heating capacity tables

| RWEYQ26PY1      |                        | TC: Total Capacity: kW ; PI: Power Input: kW (compressor + outdoor fan motor) ; OWT: Outlet Water Temperatur: °C |                              |       |       |      |       |       |      |       |       |      |       |      |      |       |      |      |      |      |  |  |  |  |  |  |
|-----------------|------------------------|--|------------------------------|-------|-------|------|-------|-------|------|-------|-------|------|-------|------|------|-------|------|------|------|------|--|--|--|--|--|--|
| Combination (%) | Inlet Water Temp. (°C) | Water Volume (note2) L/min   | Indoor air temperature: °CWB |       |       |      |       |       |      |       |       |      |       |      |      |       |      |      |      |      |  |  |  |  |  |  |
|                 |                        |  | 16.0                         |       |       | 18.0 |       |       | 20.0 |       |       | 21.0 |       |      | 22.0 |       |      | 24.0 |      |      |  |  |  |  |  |  |
|                 |                        |  | TC                           | PI    | OWT   | TC   | PI    | OWT   | TC   | PI    | OWT   | TC   | PI    | OWT  | TC   | PI    | OWT  | TC   | PI   | OWT  |  |  |  |  |  |  |
| 70              | 10                     | 50   | 44.4                         | 7.0   | 6.42  | 44.3 | 7.2   | 6.45  | 44.1 | 7.4   | 6.49  | 43.9 | 7.5   | 6.52 | 43.8 | 7.6   | 6.54 | 43.4 | 7.9  | 6.61 |  |  |  |  |  |  |
|                 |                        | 60   | 50.4                         | 8.9   | 6.69  | 50.1 | 9.1   | 6.74  | 49.7 | 9.4   | 6.79  | 49.5 | 9.6   | 6.82 | 49.3 | 9.8   | 6.85 | 48.8 | 10.1 | 6.92 |  |  |  |  |  |  |
|                 |                        | 96   | 63.4                         | 13.9  | 7.53  | 60.7 | 13.1  | 7.63  | 57.1 | 11.9  | 7.76  | 55.2 | 11.4  | 7.82 | 53.4 | 10.8  | 7.88 | 49.7 | 9.74 | 8.01 |  |  |  |  |  |  |
|                 | 15                     | 50   | 64.4                         | 13.8  | 10.17 | 60.7 | 12.6  | 10.40 | 57.1 | 11.5  | 10.64 | 55.2 | 10.92 | 10.8 | 53.4 | 10.39 | 10.9 | 49.7 | 9.37 | 11.1 |  |  |  |  |  |  |
|                 |                        | 60   | 64.4                         | 13.2  | 10.9  | 60.7 | 12.1  | 11.1  | 57.1 | 11.0  | 11.3  | 55.2 | 10.50 | 11.4 | 53.4 | 10.00 | 11.5 | 49.7 | 9.02 | 11.8 |  |  |  |  |  |  |
|                 |                        | 96   | 64.4                         | 12.0  | 12.4  | 60.7 | 10.9  | 12.5  | 57.1 | 10.0  | 12.7  | 55.2 | 9.53  | 12.7 | 53.4 | 9.08  | 12.8 | 49.7 | 8.22 | 12.9 |  |  |  |  |  |  |
|                 | 20                     | 50   | 64.4                         | 11.6  | 12.9  | 60.7 | 10.6  | 13.4  | 57.1 | 9.67  | 13.1  | 55.2 | 9.23  | 13.2 | 53.4 | 8.80  | 13.2 | 49.7 | 7.97 | 13.3 |  |  |  |  |  |  |
|                 |                        | 60   | 64.4                         | 10.4  | 14.9  | 60.7 | 9.70  | 15.1  | 57.1 | 8.87  | 15.4  | 55.2 | 8.47  | 15.5 | 53.4 | 8.09  | 15.7 | 49.7 | 7.34 | 16.0 |  |  |  |  |  |  |
|                 |                        | 96   | 64.4                         | 10.2  | 17.3  | 60.7 | 9.35  | 17.4  | 57.1 | 8.56  | 17.6  | 55.2 | 8.18  | 17.7 | 53.4 | 7.81  | 17.7 | 49.7 | 7.10 | 17.9 |  |  |  |  |  |  |
|                 | 25                     | 50   | 64.4                         | 10.1  | 17.8  | 60.7 | 9.27  | 18.0  | 57.1 | 8.49  | 18.1  | 55.2 | 8.11  | 18.1 | 53.4 | 7.74  | 18.2 | 49.7 | 7.04 | 18.3 |  |  |  |  |  |  |
|                 |                        | 60   | 64.4                         | 9.13  | 19.7  | 60.7 | 8.40  | 20.0  | 57.1 | 7.71  | 20.3  | 55.2 | 7.38  | 20.4 | 53.4 | 7.06  | 20.6 | 49.7 | 6.43 | 20.9 |  |  |  |  |  |  |
|                 |                        | 96   | 64.4                         | 9.03  | 20.6  | 60.7 | 8.32  | 20.8  | 57.1 | 7.64  | 21.1  | 55.2 | 7.31  | 21.2 | 53.4 | 6.99  | 21.3 | 49.7 | 6.37 | 21.5 |  |  |  |  |  |  |
| 30              | 50                     | 64.4   | 8.80                         | 22.2  | 60.7  | 8.11 | 22.4  | 57.1  | 7.45 | 22.5  | 55.2  | 7.13 | 22.6  | 53.4 | 6.82 | 22.7  | 49.7 | 6.23 | 22.8 |      |  |  |  |  |  |  |
|                 | 60                     | 64.4   | 8.73                         | 22.8  | 60.7  | 8.05 | 22.9  | 57.1  | 7.39 | 23.0  | 55.2  | 7.08 | 23.1  | 53.4 | 6.77 | 23.1  | 49.7 | 6.18 | 23.3 |      |  |  |  |  |  |  |
|                 | 96                     | 64.4   | 8.01                         | 24.6  | 60.7  | 7.40 | 24.9  | 57.1  | 6.81 | 25.2  | 55.2  | 6.53 | 25.3  | 53.4 | 6.26 | 25.5  | 49.7 | 5.73 | 25.8 |      |  |  |  |  |  |  |
| 35              | 50                     | 64.4   | 7.93                         | 25.5  | 60.7  | 7.33 | 25.7  | 57.1  | 6.75 | 26.0  | 55.2  | 6.47 | 26.1  | 53.4 | 6.20 | 26.2  | 49.7 | 5.68 | 26.5 |      |  |  |  |  |  |  |
|                 | 60                     | 64.4   | 7.74                         | 27.2  | 60.7  | 7.15 | 27.3  | 57.1  | 6.59 | 27.5  | 55.2  | 6.32 | 27.6  | 53.4 | 6.06 | 27.6  | 49.7 | 5.55 | 27.8 |      |  |  |  |  |  |  |
|                 | 96                     | 64.4   | 7.68                         | 27.7  | 60.7  | 7.10 | 27.9  | 57.1  | 6.54 | 28.0  | 55.2  | 6.28 | 28.1  | 53.4 | 6.01 | 28.1  | 49.7 | 5.51 | 28.2 |      |  |  |  |  |  |  |
| 40              | 50                     | 64.4   | 7.13                         | 29.5  | 60.7  | 6.60 | 29.8  | 57.1  | 6.10 | 30.1  | 55.2  | 5.86 | 30.3  | 53.4 | 5.62 | 30.4  | 49.7 | 5.16 | 30.7 |      |  |  |  |  |  |  |
|                 | 60                     | 64.4   | 7.06                         | 30.4  | 60.7  | 6.54 | 30.7  | 57.1  | 6.05 | 30.9  | 55.2  | 5.81 | 31.1  | 53.4 | 5.57 | 31.2  | 49.7 | 5.12 | 31.4 |      |  |  |  |  |  |  |
|                 | 96                     | 64.4   | 6.89                         | 32.1  | 60.7  | 6.39 | 32.3  | 57.1  | 5.91 | 32.5  | 55.2  | 5.68 | 32.5  | 53.4 | 5.45 | 32.6  | 49.7 | 5.01 | 32.8 |      |  |  |  |  |  |  |
| 45              | 50                     | 64.4   | 6.84                         | 32.7  | 60.7  | 6.34 | 32.8  | 57.1  | 5.87 | 33.0  | 55.2  | 5.64 | 33.0  | 53.4 | 5.41 | 33.1  | 49.7 | 4.98 | 33.2 |      |  |  |  |  |  |  |
|                 | 60                     | 64.4   | 6.95                         | 34.5  | 60.7  | 6.44 | 34.8  | 57.1  | 5.95 | 35.1  | 55.2  | 5.71 | 35.3  | 53.4 | 5.48 | 35.4  | 49.7 | 5.03 | 35.7 |      |  |  |  |  |  |  |
|                 | 96                     | 64.4   | 6.89                         | 35.4  | 60.7  | 6.38 | 35.7  | 57.1  | 5.90 | 35.9  | 55.2  | 5.66 | 36.1  | 53.4 | 5.43 | 36.2  | 49.7 | 4.99 | 36.4 |      |  |  |  |  |  |  |
| 60              | 10                     | 50   | 64.4                         | 6.72  | 37.1  | 60.7 | 6.23  | 37.3  | 57.1 | 5.76  | 37.4  | 55.2 | 5.54  | 37.5 | 53.4 | 5.31  | 37.6 | 49.7 | 4.89 | 37.8 |  |  |  |  |  |  |
|                 |                        | 60   | 64.4                         | 6.67  | 37.7  | 60.7 | 6.18  | 37.8  | 57.1 | 5.72  | 38.0  | 55.2 | 5.50  | 38.0 | 53.4 | 5.28  | 38.1 | 49.7 | 4.85 | 38.2 |  |  |  |  |  |  |
|                 |                        | 96   | 64.4                         | 6.78  | 39.5  | 60.7 | 6.28  | 39.8  | 57.1 | 5.80  | 40.1  | 55.2 | 5.57  | 40.3 | 53.4 | 5.34  | 40.4 | 49.7 | 4.91 | 40.7 |  |  |  |  |  |  |
|                 | 15                     | 50   | 64.4                         | 6.71  | 40.4  | 60.7 | 6.22  | 40.7  | 57.1 | 5.75  | 40.9  | 55.2 | 5.52  | 41.0 | 53.4 | 5.30  | 41.2 | 49.7 | 4.87 | 41.4 |  |  |  |  |  |  |
|                 |                        | 60   | 64.4                         | 6.55  | 42.1  | 60.7 | 6.08  | 42.3  | 57.1 | 5.62  | 42.4  | 55.2 | 5.40  | 42.5 | 53.4 | 5.18  | 42.6 | 49.7 | 4.77 | 42.8 |  |  |  |  |  |  |
|                 |                        | 96   | 64.4                         | 6.50  | 42.7  | 60.7 | 6.03  | 42.8  | 57.1 | 5.58  | 43.0  | 55.2 | 5.36  | 43.0 | 53.4 | 5.15  | 43.1 | 49.7 | 4.73 | 43.2 |  |  |  |  |  |  |
|                 | 20                     | 50   | 43.9                         | 7.5   | 6.52  | 43.7 | 7.7   | 6.57  | 43.3 | 7.97  | 6.62  | 43.2 | 8.11  | 6.65 | 43.0 | 8.26  | 6.68 | 42.5 | 8.57 | 6.75 |  |  |  |  |  |  |
|                 |                        | 60   | 49.5                         | 9.6   | 6.82  | 49.1 | 9.9   | 6.88  | 48.7 | 10.22 | 6.94  | 47.3 | 9.81  | 7.01 | 45.8 | 9.31  | 7.10 | 42.6 | 8.35 | 7.27 |  |  |  |  |  |  |
|                 |                        | 96   | 55.2                         | 11.4  | 7.82  | 52.0 | 10.4  | 7.93  | 48.9 | 9.50  | 8.04  | 47.3 | 9.07  | 8.10 | 45.8 | 8.64  | 8.15 | 42.6 | 7.82 | 8.27 |  |  |  |  |  |  |
|                 | 25                     | 50   | 55.2                         | 11.0  | 8.24  | 52.0 | 10.1  | 8.33  | 48.9 | 9.22  | 8.42  | 47.3 | 8.80  | 8.47 | 45.8 | 8.39  | 8.51 | 42.6 | 7.61 | 8.61 |  |  |  |  |  |  |
|                 |                        | 60   | 55.2                         | 10.91 | 10.8  | 52.0 | 10.01 | 11.0  | 48.9 | 9.15  | 11.2  | 47.3 | 8.74  | 11.3 | 45.8 | 8.33  | 11.4 | 42.6 | 7.56 | 11.7 |  |  |  |  |  |  |
|                 |                        | 96   | 55.2                         | 10.49 | 11.4  | 52.0 | 9.63  | 11.6  | 48.9 | 8.81  | 11.8  | 47.3 | 8.42  | 11.9 | 45.8 | 8.03  | 12.0 | 42.6 | 7.29 | 12.2 |  |  |  |  |  |  |
| 30              | 50                     | 55.2   | 9.52                         | 12.7  | 52.0  | 8.76 | 12.8  | 48.9  | 8.03 | 13.0  | 47.3  | 7.68 | 13.0  | 45.8 | 7.34 | 13.1  | 42.6 | 6.68 | 13.2 |      |  |  |  |  |  |  |
|                 | 60                     | 55.2   | 9.22                         | 13.2  | 52.0  | 8.49 | 13.3  | 48.9  | 7.79 | 13.4  | 47.3  | 7.45 | 13.4  | 45.8 | 7.12 | 13.5  | 42.6 | 6.49 | 13.6 |      |  |  |  |  |  |  |
|                 | 96                     | 55.2   | 8.47                         | 15.5  | 52.0  | 7.81 | 15.8  | 48.9  | 7.18 | 16.0  | 47.3  | 6.88 | 16.1  | 45.8 | 6.58 | 16.3  | 42.6 | 6.01 | 16.5 |      |  |  |  |  |  |  |
| 35              | 50                     | 55.2   | 8.38                         | 16.3  | 52.0  | 7.73 | 16.5  | 48.9  | 7.11 | 16.7  | 47.3  | 6.81 | 16.8  | 45.8 | 6.52 | 16.9  | 42.6 | 5.96 | 17.1 |      |  |  |  |  |  |  |
|                 | 60                     | 55.2   | 8.17                         | 17.7  | 52.0  | 7.54 | 17.8  | 48.9  | 6.94 | 17.9  | 47.3  | 6.65 | 18.0  | 45.8 | 6.37 | 18.0  | 42.6 | 5.82 | 18.2 |      |  |  |  |  |  |  |
|                 | 96                     | 55.2   | 8.10                         | 18.1  | 52.0  | 7.48 | 18.2  | 48.9  | 6.89 | 18.3  | 47.3  | 6.60 | 18.4  | 45.8 | 6.32 | 18.4  | 42.6 | 5.78 | 18.5 |      |  |  |  |  |  |  |
| 40              | 50                     | 55.2   | 7.38                         | 20.4  | 52.0  | 6.83 | 20.7  | 48.9  | 6.30 | 20.9  | 47.3  | 6.04 | 21.1  | 45.8 | 5.80 | 21.2  | 42.6 | 5.32 | 21.4 |      |  |  |  |  |  |  |
|                 | 60                     | 55.2   | 7.31                         | 21.2  | 52.0  | 6.76 | 21.4  | 48.9  | 6.24 | 21.6  | 47.3  | 5.99 | 21.7  | 45.8 | 5.74 | 21.8  | 42.6 | 5.27 | 22.0 |      |  |  |  |  |  |  |
|                 | 96                     | 55.2   | 7.13                         | 22.6  | 52.0  | 6.60 | 22.7  | 48.9  | 6.10 | 22.9  | 47.3  | 5.85 | 22.9  | 45.8 | 5.62 | 23.0  | 42.6 | 5.16 | 23.1 |      |  |  |  |  |  |  |
| 45              | 50                     | 55.2   | 7.07                         | 23.1  | 52.0  | 6.55 | 23.2  | 48.9  | 6.05 | 23.3  | 47.3  | 5.81 | 23.3  | 45.8 | 5.58 | 23.4  | 42.6 | 5.12 | 23.5 |      |  |  |  |  |  |  |
|                 | 60                     | 55.2   | 6.53                         | 25.4  | 52.0  | 6.06 | 25.6  | 48.9  | 5.61 | 25.9  | 47.3  | 5.39 | 26.0  | 45.8 | 5.18 | 26.1  | 42.6 | 4.77 | 26.4 |      |  |  |  |  |  |  |
|                 | 96                     | 55.2   | 6.47                         | 26.1  | 52.0  | 6.00 | 26.3  | 48.9  | 5.56 | 26.5  | 47.3  | 5.35 | 26.7  | 45.8 | 5.14 | 26.8  | 42.6 | 4.73 | 27.0 |      |  |  |  |  |  |  |
| 50              | 10                     | 50   | 55.2                         | 6.32  | 27.6  | 52.0 | 5.87  | 27.7  | 48.9 | 5.44  | 27.8  | 47.3 | 5.23  | 27.9 | 45.8 | 5.03  | 28.0 | 42.6 | 4.64 | 28.1 |  |  |  |  |  |  |
|                 |                        | 60   | 55.2                         | 6.27  | 28.1  | 52.0 | 5.83  | 28.2  | 48.9 | 5.40  | 28.3  | 47.3 | 5.20  | 28.3 | 45.8 | 5.00  | 28.4 | 42.6 | 4.61 | 28.5 |  |  |  |  |  |  |
|                 |                        | 96   | 55.2                         | 5.85  | 30.3  | 52.0 | 5.45  | 30.5  | 48.9 | 5.06  | 30.8  | 47.3 | 4.88  | 30.9 | 45.8 | 4.69  | 31.1 | 42.6 | 4.34 | 31.3 |  |  |  |  |  |  |
|                 | 15                     | 50   | 55.2                         | 5.80  | 31.1  | 52.0 | 5.40  | 31.3  | 48.9 | 5.02  | 31.5  | 47.3 | 4.84  | 31.6 | 45.8 | 4.66  | 31.7 | 42.6 | 4.31 | 32.0 |  |  |  |  |  |  |
|                 |                        | 60   | 55.2                         | 5.67  | 32.5  | 52.0 | 5.29  | 32.7  | 48.9 | 4.92  | 32.8  | 47.3 | 4.74  | 32.9 | 45.8 | 4.56  | 33.0 | 42.6 | 4.22 | 33.1 |  |  |  |  |  |  |
|                 |                        | 96   | 55.2                         | 5.63  | 33.0  | 52.0 | 5.25  | 33.1  | 48.9 | 4.88  | 33.2  | 47.3 | 4.71  | 33.3 | 45.8 | 4.53  | 33.4 | 42.6 | 4.20 | 33.5 |  |  |  |  |  |  |
|                 | 20                     | 50   | 55.2                         | 5.71  | 33.3  | 52.0 | 5.31  | 33.5  | 48.9 | 4.94  | 33.8  | 47.3 | 4.76  | 33.9 | 45.8 | 4.58  | 34.1 | 42.6 | 4.23 | 36.3 |  |  |  |  |  |  |
|                 |                        | 60   | 55.2                         | 5.66  | 36.1  | 52.0 | 5.27  | 36.3  | 48.9 | 4.90  | 36.5  | 47.3 | 4.72  | 36.6 | 45.8 | 4.54  | 36.7 | 42.6 | 4.20 | 36.9 |  |  |  |  |  |  |
|                 |                        | 96   | 55.2                         | 5.53  | 37.5  | 52.0 | 5.16  | 37.7  | 48.9 | 4.79  | 37.8  | 47.3 | 4.62  | 37.9 | 45.8 | 4.45  | 37.9 | 42.6 | 4.12 | 38.1 |  |  |  |  |  |  |
|                 | 25                     | 50   | 55.2                         | 5.49  | 38.0  | 52.0 | 5.12  | 38.1  | 48.9 | 4.76  | 38.2  | 47.3 | 4.59  | 38.3 | 45.8 | 4.42  | 38.4 | 42.6 | 4.09 | 38.5 |  |  |  |  |  |  |
|                 |                        | 60   | 55.2                         | 5.18  | 40.2  | 52.0 | 5.18  | 40.5  | 48.9 | 4.81  | 40.8  | 47.3 | 4.64  | 40.9 | 45.8 | 4.46  | 41.1 | 42.6 | 4.13 | 41.3 |  |  |  |  |  |  |
|                 |                        | 96   | 55.2                         | 5.52  | 41.0  | 52.0 | 5.14  | 41.3  | 48.9 | 4.77  | 41.5  | 47.3 | 4.60  | 41.6 | 45.8 | 4.43  | 41.7 | 42.6 | 4.10 | 41.9 |  |  |  |  |  |  |
| 30              | 50                     | 55.2   | 5.39                         | 42.5  | 52.0  | 5.03 | 42.7  | 48.9  | 4.67 | 42.8  | 47.3  | 4.50 | 42.9  | 45.8 | 4.34 | 42.9  | 42.6 | 4.02 | 43.1 |      |  |  |  |  |  |  |
|                 | 60                     | 55.2   | 5.36                         | 43.0  | 52.0  | 4.99 | 43.1  | 48.9  | 4.64 | 43.2  | 47.3  | 4.47 | 43.3  | 45.8 | 4.31 | 43.4  | 42.6 | 3.99 | 43.5 |      |  |  |  |  |  |  |
|                 | 96                     | 46.0   | 8.23                         | 6.68  | 42.6  | 8.49 | 6.74  | 40.8  | 8.02 | 6.87  | 39.4  | 7.63 | 6.96  | 38.1 | 7.25 | 7.05  | 35.5 | 6.51 | 7.23 |      |  |  |  |  |  |  |
| 35              | 50                     | 46.0   | 9.38                         | 7.09  | 43.4  | 8.58 | 7.23  | 40.8  | 7.81 | 7.38  | 39.4  | 7.44 | 7.45  | 38.1 | 7.09 | 7.53  | 35.5 | 6.40 | 7.68 |      |  |  |  |  |  |  |
|                 | 60                     | 46.0   | 8.70                         | 8.14  | 43.4  | 8.02 | 8.24  | 40.8  | 7.36 | 8.34  | 39.4  | 7.04 | 8.39  | 38.1 | 6.73 | 8.44  | 35.5 | 6.14 | 8.54 |      |  |  |  |  |  |  |
|                 | 96                     | 46.0   | 8.45                         | 8.51  | 43.4  | 7.80 | 8.58  | 40.8  |      |       |       |      |       |      |      |       |      |      |      |      |  |  |  |  |  |  |

# 4 Capacity tables

## 4 - 3 Heating capacity tables

| RWEYQ28PY1      |                        | TC: Total Capacity: kW ; PI: Power Input: kW (compressor + outdoor fan motor) ; OWT: Outlet Water Temperatur: °C |                              |       |        |       |       |        |       |       |        |       |       |        |       |       |        |       |       |        |
|-----------------|------------------------|--|------------------------------|-------|--------|-------|-------|--------|-------|-------|--------|-------|-------|--------|-------|-------|--------|-------|-------|--------|
| Combination (%) | Inlet Water Temp. (°C) | Water Volume (note2) L/min   | Indoor air temperature: °CWB |       |        |       |       |        |       |       |        |       |       |        |       |       |        |       |       |        |
|                 |                        |  | 16.0                         |       |        | 18.0  |       |        | 20.0  |       |        | 21.0  |       |        | 22.0  |       |        | 24.0  |       |        |
|                 |                        |  | TC kW                        | PI kW | OWT °C | TC kW | PI kW | OWT °C | TC kW | PI kW | OWT °C | TC kW | PI kW | OWT °C | TC kW | PI kW | OWT °C | TC kW | PI kW | OWT °C |
| 130             | 10                     | 50   | 41.3                         | 10.5  | 7.06   | 43.1  | 9.7   | 6.81   | 44.5  | 8.94  | 6.60   | 45.2  | 8.64  | 6.51   | 45.8  | 8.37  | 6.43   | 46.7  | 7.96  | 6.29   |
|                 |                        | 60   | 51.3                         | 10.5  | 6.75   | 52.5  | 10.0  | 6.61   | 53.5  | 9.53  | 6.50   | 53.9  | 9.37  | 6.46   | 54.2  | 9.24  | 6.42   | 54.7  | 9.10  | 6.37   |
|                 |                        | 96   | 71.1                         | 12.4  | 7.08   | 71.4  | 12.4  | 7.06   | 71.5  | 12.5  | 7.06   | 71.5  | 12.6  | 7.07   | 71.5  | 12.7  | 7.08   | 71.3  | 13.1  | 7.10   |
|                 |                        | 120  | 75.0                         | 12.9  | 7.53   | 75.1  | 13.0  | 7.53   | 75.1  | 13.2  | 7.54   | 75.0  | 13.3  | 7.54   | 74.9  | 13.5  | 7.55   | 74.6  | 13.9  | 7.58   |
|                 | 15                     | 50   | 74.8                         | 12.8  | 9.08   | 74.9  | 12.9  | 9.07   | 74.9  | 13.0  | 9.09   | 74.8  | 13.2  | 9.11   | 74.7  | 13.3  | 9.13   | 74.4  | 13.7  | 9.20   |
|                 |                        | 60   | 76.9                         | 12.8  | 9.90   | 77.0  | 12.9  | 9.90   | 76.9  | 13.2  | 9.92   | 76.8  | 13.3  | 9.94   | 76.7  | 13.5  | 10.0   | 76.3  | 13.9  | 10.0   |
|                 |                        | 96   | 82.5                         | 13.0  | 11.5   | 82.4  | 13.2  | 11.6   | 82.1  | 13.5  | 11.6   | 81.9  | 13.7  | 11.6   | 81.7  | 13.9  | 11.6   | 81.2  | 14.4  | 11.7   |
|                 |                        | 120  | 84.4                         | 13.1  | 12.2   | 84.2  | 13.3  | 12.2   | 83.9  | 13.7  | 12.2   | 83.7  | 13.9  | 12.2   | 83.5  | 14.1  | 12.2   | 82.9  | 14.6  | 12.3   |
|                 | 20                     | 50   | 89.6                         | 13.4  | 12.7   | 89.3  | 13.7  | 12.8   | 88.8  | 14.1  | 12.9   | 88.5  | 14.3  | 12.9   | 88.2  | 14.6  | 13.0   | 87.5  | 15.1  | 13.1   |
|                 |                        | 60   | 90.2                         | 13.4  | 13.9   | 89.9  | 13.7  | 13.9   | 89.4  | 14.1  | 14.0   | 89.1  | 14.4  | 14.0   | 88.8  | 14.6  | 14.1   | 88.1  | 15.2  | 14.2   |
|                 |                        | 96   | 91.8                         | 13.5  | 16.1   | 91.4  | 13.9  | 16.1   | 90.9  | 14.3  | 16.2   | 90.6  | 14.5  | 16.2   | 90.3  | 14.8  | 16.2   | 89.5  | 15.3  | 16.3   |
|                 |                        | 120  | 92.3                         | 13.6  | 16.9   | 92.0  | 13.9  | 16.9   | 91.4  | 14.3  | 16.9   | 91.1  | 14.6  | 17.0   | 90.8  | 14.8  | 17.0   | 90.0  | 15.4  | 17.0   |
|                 | 25                     | 50   | 98.7                         | 14.0  | 16.9   | 98.1  | 14.4  | 17.0   | 97.5  | 14.9  | 17.1   | 97.1  | 15.2  | 17.2   | 96.7  | 15.4  | 17.2   | 96.8  | 16.0  | 17.4   |
|                 |                        | 60   | 99.4                         | 14.1  | 18.2   | 98.8  | 14.5  | 18.3   | 98.1  | 15.0  | 18.4   | 97.7  | 15.2  | 18.4   | 97.3  | 15.5  | 18.5   | 96.4  | 16.1  | 18.6   |
|                 |                        | 96   | 101                          | 14.2  | 20.7   | 100   | 14.6  | 20.7   | 99.7  | 15.1  | 20.8   | 99.3  | 15.4  | 20.8   | 98.9  | 15.6  | 20.9   | 97.9  | 16.2  | 20.9   |
|                 |                        | 120  | 102                          | 14.3  | 21.5   | 101   | 14.7  | 21.6   | 100   | 15.2  | 21.6   | 99.9  | 15.4  | 21.6   | 99.4  | 15.7  | 21.7   | 98.4  | 16.3  | 21.7   |
|                 | 30                     | 50   | 108                          | 14.8  | 21.1   | 107   | 15.2  | 21.2   | 106   | 15.7  | 21.4   | 106   | 16.0  | 21.4   | 105   | 16.3  | 21.5   | 99.7  | 15.3  | 21.9   |
|                 |                        | 60   | 108                          | 14.8  | 22.6   | 108   | 15.3  | 22.6   | 107   | 15.8  | 22.8   | 106   | 16.1  | 22.8   | 106   | 16.4  | 22.9   | 99.7  | 15.1  | 23.3   |
|                 |                        | 96   | 110                          | 15.0  | 25.3   | 109   | 15.5  | 25.3   | 108   | 16.0  | 25.4   | 108   | 16.2  | 25.4   | 107   | 16.4  | 25.5   | 99.7  | 14.7  | 25.8   |
|                 |                        | 120  | 111                          | 15.0  | 26.2   | 110   | 15.5  | 26.2   | 109   | 16.0  | 26.3   | 109   | 16.3  | 26.3   | 107   | 16.2  | 26.4   | 99.7  | 14.5  | 26.6   |
|                 | 35                     | 50   | 117                          | 15.6  | 25.3   | 116   | 16.1  | 25.5   | 114   | 16.5  | 25.6   | 111   | 15.7  | 25.9   | 107   | 14.9  | 26.2   | 99.7  | 13.4  | 26.8   |
|                 |                        | 60   | 117                          | 15.6  | 26.9   | 116   | 16.1  | 27.0   | 114   | 16.3  | 27.2   | 111   | 15.5  | 27.4   | 107   | 14.7  | 27.6   | 99.7  | 13.2  | 28.1   |
|                 |                        | 96   | 119                          | 15.8  | 29.9   | 118   | 16.3  | 29.9   | 114   | 15.8  | 30.1   | 111   | 15.1  | 30.2   | 107   | 14.3  | 30.4   | 99.7  | 12.9  | 30.7   |
|                 |                        | 120  | 120                          | 15.9  | 30.9   | 119   | 16.3  | 30.9   | 114   | 15.7  | 31.1   | 111   | 14.9  | 31.2   | 107   | 14.2  | 31.3   | 99.7  | 12.7  | 31.5   |
| 40              | 50                     | 126  | 16.4                         | 29.6  | 122    | 16.0  | 29.9  | 114    | 15.9  | 30.6  | 111    | 15.1  | 30.9  | 107    | 14.3  | 31.1  | 99.7   | 12.9  | 31.7  |        |
|                 | 60                     | 126  | 16.5                         | 31.3  | 122    | 15.8  | 31.6  | 114    | 15.7  | 32.1  | 111    | 14.9  | 32.4  | 107    | 14.2  | 32.6  | 99.7   | 12.8  | 33.1  |        |
|                 | 96                     | 128  | 16.6                         | 34.4  | 122    | 15.4  | 34.7  | 114    | 15.2  | 35.1  | 111    | 14.5  | 35.2  | 107    | 13.8  | 35.4  | 99.7   | 12.4  | 35.7  |        |
|                 | 120                    | 129  | 16.7                         | 35.5  | 122    | 15.2  | 35.8  | 114    | 15.1  | 36.0  | 111    | 14.4  | 36.2  | 107    | 13.7  | 36.3  | 99.7   | 12.3  | 36.5  |        |
| 45              | 50                     | 129  | 16.3                         | 34.2  | 122    | 15.6  | 34.9  | 114    | 15.3  | 35.5  | 111    | 14.6  | 35.8  | 107    | 13.9  | 36.1  | 99.7   | 12.5  | 36.7  |        |
|                 | 60                     | 129  | 16.1                         | 36.0  | 122    | 15.4  | 36.5  | 114    | 15.1  | 37.1  | 111    | 14.4  | 37.3  | 107    | 13.7  | 37.6  | 99.7   | 12.4  | 38.0  |        |
|                 | 96                     | 129  | 15.6                         | 39.4  | 122    | 15.0  | 39.7  | 114    | 14.7  | 40.0  | 111    | 14.0  | 40.2  | 107    | 13.4  | 40.3  | 99.7   | 12.1  | 40.6  |        |
|                 | 120                    | 129  | 15.5                         | 40.5  | 122    | 14.9  | 40.7  | 114    | 14.6  | 41.0  | 111    | 13.9  | 41.1  | 107    | 13.2  | 41.3  | 99.7   | 12.0  | 41.5  |        |
| 120             | 10                     | 50   | 43.6                         | 9.39  | 6.73   | 44.9  | 8.77  | 6.55   | 46.0  | 8.28  | 6.40   | 46.4  | 8.09  | 6.34   | 46.8  | 7.92  | 6.28   | 47.5  | 7.70  | 6.20   |
|                 |                        | 60   | 52.9                         | 9.79  | 6.57   | 53.7  | 9.43  | 6.48   | 54.3  | 9.20  | 6.41   | 54.6  | 9.13  | 6.38   | 54.7  | 9.09  | 6.36   | 55.0  | 9.10  | 6.35   |
|                 |                        | 96   | 71.5                         | 12.5  | 7.06   | 71.5  | 12.6  | 7.07   | 71.5  | 12.8  | 7.08   | 71.4  | 12.9  | 7.09   | 71.2  | 13.1  | 7.11   | 70.8  | 13.5  | 7.15   |
|                 |                        | 120  | 75.1                         | 13.1  | 7.53   | 75.1  | 13.3  | 7.54   | 74.9  | 13.6  | 7.56   | 74.7  | 13.7  | 7.57   | 74.5  | 13.9  | 7.59   | 74.0  | 14.4  | 7.63   |
|                 | 15                     | 50   | 74.9                         | 12.9  | 9.07   | 74.9  | 13.1  | 9.10   | 74.7  | 13.4  | 9.14   | 74.5  | 13.6  | 9.17   | 74.3  | 13.8  | 9.21   | 73.9  | 14.2  | 9.30   |
|                 |                        | 60   | 77.0                         | 13.0  | 9.9    | 76.9  | 13.2  | 9.9    | 76.6  | 13.6  | 10.0   | 76.4  | 13.7  | 10.0   | 76.2  | 14.0  | 10.0   | 75.7  | 14.5  | 10.1   |
|                 |                        | 96   | 82.3                         | 13.3  | 11.6   | 82.0  | 13.6  | 11.6   | 81.6  | 14.0  | 11.6   | 81.4  | 14.2  | 11.7   | 81.1  | 14.5  | 11.7   | 80.4  | 15.0  | 11.7   |
|                 |                        | 120  | 84.1                         | 13.5  | 12.2   | 83.8  | 13.8  | 12.2   | 83.4  | 14.2  | 12.2   | 83.1  | 14.4  | 12.3   | 82.8  | 14.7  | 12.3   | 82.1  | 15.2  | 12.3   |
|                 | 20                     | 50   | 89.1                         | 13.8  | 12.8   | 88.7  | 14.2  | 12.9   | 88.1  | 14.7  | 13.0   | 87.8  | 14.9  | 13.0   | 87.4  | 15.2  | 13.1   | 86.6  | 15.7  | 13.2   |
|                 |                        | 60   | 89.7                         | 13.9  | 14.0   | 89.3  | 14.3  | 14.0   | 88.7  | 14.7  | 14.1   | 88.3  | 15.0  | 14.2   | 88.0  | 15.2  | 14.2   | 87.1  | 15.8  | 14.3   |
|                 |                        | 96   | 91.3                         | 14.0  | 16.2   | 90.8  | 14.4  | 16.2   | 90.2  | 14.9  | 16.3   | 89.8  | 15.1  | 16.3   | 89.4  | 15.4  | 16.3   | 88.6  | 16.0  | 16.4   |
|                 |                        | 120  | 91.8                         | 14.0  | 16.9   | 91.3  | 14.4  | 16.9   | 90.6  | 14.9  | 17.0   | 90.3  | 15.2  | 17.0   | 89.9  | 15.4  | 17.0   | 89.0  | 16.0  | 17.1   |
|                 | 25                     | 50   | 97.9                         | 14.6  | 17.0   | 97.3  | 15.0  | 17.1   | 96.5  | 15.5  | 17.3   | 96.1  | 15.8  | 17.3   | 95.6  | 16.1  | 17.4   | 92.0  | 15.6  | 17.7   |
|                 |                        | 60   | 98.6                         | 14.6  | 18.3   | 97.9  | 15.1  | 18.4   | 97.1  | 15.6  | 18.5   | 96.7  | 15.9  | 18.6   | 96.2  | 16.1  | 18.6   | 92.0  | 15.4  | 18.9   |
|                 |                        | 96   | 100                          | 14.8  | 20.7   | 99.5  | 15.3  | 20.8   | 98.7  | 15.8  | 20.9   | 98.3  | 16.0  | 20.9   | 97.8  | 16.3  | 20.9   | 92.0  | 15.0  | 21.2   |
|                 |                        | 120  | 101                          | 14.8  | 21.6   | 100   | 15.3  | 21.6   | 99.2  | 15.8  | 21.7   | 98.8  | 16.1  | 21.7   | 98.3  | 16.4  | 21.7   | 92.0  | 14.8  | 21.9   |
|                 | 30                     | 50   | 107                          | 15.4  | 21.3   | 106   | 15.9  | 21.4   | 105   | 16.4  | 21.5   | 102   | 15.9  | 21.7   | 98.8  | 15.0  | 22.0   | 92.0  | 13.5  | 22.5   |
|                 |                        | 60   | 107                          | 15.5  | 22.7   | 106   | 16.0  | 22.8   | 106   | 16.5  | 22.9   | 102   | 15.7  | 23.1   | 98.8  | 14.9  | 23.3   | 92.0  | 13.4  | 23.7   |
|                 |                        | 96   | 109                          | 15.6  | 25.3   | 108   | 16.1  | 25.4   | 106   | 16.0  | 25.5   | 102   | 15.2  | 25.7   | 98.8  | 14.5  | 25.8   | 92.0  | 13.0  | 26.1   |
|                 |                        | 120  | 110                          | 15.7  | 26.3   | 109   | 16.2  | 26.3   | 106   | 15.9  | 26.4   | 102   | 15.1  | 26.5   | 98.8  | 14.3  | 26.6   | 92.0  | 12.9  | 26.8   |
|                 | 35                     | 50   | 115                          | 16.2  | 25.5   | 112   | 16.0  | 25.8   | 106   | 14.6  | 26.3   | 102   | 13.9  | 26.6   | 98.8  | 13.2  | 26.8   | 92.0  | 11.9  | 27.3   |
|                 |                        | 60   | 116                          | 16.3  | 27.1   | 112   | 15.9  | 27.3   | 106   | 14.4  | 27.7   | 102   | 13.7  | 28.0   | 98.8  | 13.0  | 28.2   | 92.0  | 11.7  | 28.6   |
|                 |                        | 96   | 118                          | 16.5  | 30.0   | 112   | 15.4  | 30.2   | 106   | 14.0  | 30.4   | 102   | 13.3  | 30.6   | 98.8  | 12.7  | 30.7   | 92.0  | 11.4  | 31.0   |
|                 |                        | 120  | 119                          | 16.5  | 30.9   | 112   | 15.3  | 31.1   | 106   | 13.9  | 31.3   | 102   | 13.2  | 31.5   | 98.8  | 12.6  | 31.6   | 92.0  | 11.3  | 31.8   |
| 40              | 50                     | 119  | 15.5                         | 30.1  | 112    | 15.4  | 30.7  | 106    | 14.0  | 31.3  | 102    | 13.4  | 31.5  | 98.8   | 12.7  | 31.8  | 92.0   | 11.5  | 32.3  |        |
|                 | 60                     | 119  | 15.3                         | 31.7  | 112    | 15.3  | 32.3  | 106    | 13.9  | 32.7  | 102    | 13.2  | 32.9  | 98.8   | 12.6  | 33.1  | 92.0   | 11.4  | 33.6  |        |
|                 | 96                     | 119  | 14.9                         | 34.8  | 112    | 14.8  | 35.1  | 106    | 13.5  | 35.4  | 102    | 12.9  | 35.6  | 98.8   | 12.3  | 35.7  | 92.0   | 11.1  | 36.0  |        |
|                 | 120                    | 119  | 14.8                         | 35.8  | 112    | 14.7  | 36.1  | 106    | 13.4  | 36.3  | 102    | 12.8  | 36.4  | 98.8   | 12.2  | 36.6  | 92.0   | 11.0  | 36.8  |        |
| 45              | 50                     | 119  | 15.1                         | 35.   |        |       |       |        |       |       |        |       |       |        |       |       |        |       |       |        |

# 4 Capacity tables

## 4 - 3 Heating capacity tables

| RWEYQ28PY1      |                        | TC: Total Capacity: kW ; PI: Power Input: kW (compressor + outdoor fan motor) ; OWT: Outlet Water Temperatur: °C |                              |      |      |      |      |      |      |      |      |      |      |      |      |      |      |      |      |      |      |      |      |      |      |      |      |      |      |      |      |      |      |      |      |      |      |      |      |      |      |      |      |      |      |      |      |      |      |      |      |      |      |      |      |      |      |      |      |      |      |      |      |      |      |      |      |      |      |      |      |      |      |      |      |      |      |      |      |      |      |      |      |      |      |      |      |      |      |      |      |      |      |      |      |      |      |      |      |      |      |      |      |      |      |      |      |      |      |      |      |      |      |      |      |
|-----------------|------------------------|--|------------------------------|------|------|------|------|------|------|------|------|------|------|------|------|------|------|------|------|------|------|------|------|------|------|------|------|------|------|------|------|------|------|------|------|------|------|------|------|------|------|------|------|------|------|------|------|------|------|------|------|------|------|------|------|------|------|------|------|------|------|------|------|------|------|------|------|------|------|------|------|------|------|------|------|------|------|------|------|------|------|------|------|------|------|------|------|------|------|------|------|------|------|------|------|------|------|------|------|------|------|------|------|------|------|------|------|------|------|------|------|------|------|------|------|
| Combination (%) | Inlet Water Temp. (°C) | Water Volume (note2) L/min   | Indoor air temperature: °CWB |      |      |      |      |      |      |      |      |      |      |      |      |      |      |      |      |      |      |      |      |      |      |      |      |      |      |      |      |      |      |      |      |      |      |      |      |      |      |      |      |      |      |      |      |      |      |      |      |      |      |      |      |      |      |      |      |      |      |      |      |      |      |      |      |      |      |      |      |      |      |      |      |      |      |      |      |      |      |      |      |      |      |      |      |      |      |      |      |      |      |      |      |      |      |      |      |      |      |      |      |      |      |      |      |      |      |      |      |      |      |      |      |
|                 |                        |  | 16.0                         |      |      |      |      |      | 18.0 |      |      |      |      |      | 20.0 |      |      |      |      |      | 21.0 |      |      |      |      |      | 22.0 |      |      |      |      |      | 24.0 |      |      |      |      |      |      |      |      |      |      |      |      |      |      |      |      |      |      |      |      |      |      |      |      |      |      |      |      |      |      |      |      |      |      |      |      |      |      |      |      |      |      |      |      |      |      |      |      |      |      |      |      |      |      |      |      |      |      |      |      |      |      |      |      |      |      |      |      |      |      |      |      |      |      |      |      |      |      |      |      |      |      |
|                 |                        |  | TC                           | PI   | OWT  | TC   | PI   | OWT  | TC   | PI   | OWT  | TC   | PI   | OWT  | TC   | PI   | OWT  | TC   | PI   | OWT  | TC   | PI   | OWT  | TC   | PI   | OWT  | TC   | PI   | OWT  | TC   | PI   | OWT  |      |      |      |      |      |      |      |      |      |      |      |      |      |      |      |      |      |      |      |      |      |      |      |      |      |      |      |      |      |      |      |      |      |      |      |      |      |      |      |      |      |      |      |      |      |      |      |      |      |      |      |      |      |      |      |      |      |      |      |      |      |      |      |      |      |      |      |      |      |      |      |      |      |      |      |      |      |      |      |      |      |      |      |
| 100             | 10                     | 50   | 46.8                         | 7.94 | 6.29 | 47.3 | 7.74 | 6.22 | 47.7 | 7.62 | 6.17 | 47.9 | 7.60 | 6.15 | 48.0 | 7.60 | 6.14 | 48.1 | 7.67 | 6.14 | 50   | 46.8 | 7.94 | 6.29 | 47.3 | 7.74 | 6.22 | 47.7 | 7.62 | 6.17 | 47.9 | 7.60 | 6.15 | 48.0 | 7.60 | 6.14 | 48.1 | 7.67 | 6.14 | 50   | 46.8 | 7.94 | 6.29 | 47.3 | 7.74 | 6.22 | 47.7 | 7.62 | 6.17 | 47.9 | 7.60 | 6.15 | 48.0 | 7.60 | 6.14 | 48.1 | 7.67 | 6.14 | 50   | 46.8 | 7.94 | 6.29 | 47.3 | 7.74 | 6.22 | 47.7 | 7.62 | 6.17 | 47.9 | 7.60 | 6.15 | 48.0 | 7.60 | 6.14 | 48.1 | 7.67 | 6.14 | 50   | 46.8 | 7.94 | 6.29 | 47.3 | 7.74 | 6.22 | 47.7 | 7.62 | 6.17 | 47.9 | 7.60 | 6.15 | 48.0 | 7.60 | 6.14 | 48.1 | 7.67 | 6.14 | 50   | 46.8 | 7.94 | 6.29 | 47.3 | 7.74 | 6.22 | 47.7 | 7.62 | 6.17 | 47.9 | 7.60 | 6.15 | 48.0 | 7.60 | 6.14 | 48.1 | 7.67 | 6.14 |
|                 |                        | 15   | 50                           | 74.4 | 13.7 | 9.21 | 74.0 | 14.1 | 9.28 | 73.5 | 14.6 | 9.37 | 73.2 | 14.8 | 9.42 | 72.9 | 15.1 | 9.47 | 72.3 | 15.6 | 9.59 | 50   | 74.4 | 13.7 | 9.21 | 74.0 | 14.1 | 9.28 | 73.5 | 14.6 | 9.37 | 73.2 | 14.8 | 9.42 | 72.9 | 15.1 | 9.47 | 72.3 | 15.6 | 9.59 | 50   | 74.4 | 13.7 | 9.21 | 74.0 | 14.1 | 9.28 | 73.5 | 14.6 | 9.37 | 73.2 | 14.8 | 9.42 | 72.9 | 15.1 | 9.47 | 72.3 | 15.6 | 9.59 | 50   | 74.4 | 13.7 | 9.21 | 74.0 | 14.1 | 9.28 | 73.5 | 14.6 | 9.37 | 73.2 | 14.8 | 9.42 | 72.9 | 15.1 | 9.47 | 72.3 | 15.6 | 9.59 | 50   | 74.4 | 13.7 | 9.21 | 74.0 | 14.1 | 9.28 | 73.5 | 14.6 | 9.37 | 73.2 | 14.8 | 9.42 | 72.9 | 15.1 | 9.47 | 72.3 | 15.6 | 9.59 |      |      |      |      |      |      |      |      |      |      |      |      |      |      |      |      |      |      |
|                 |                        |  | 20                           | 50   | 88.0 | 15.2 | 14.2 | 87.4 | 15.7 | 14.3 | 86.1 | 16.1 | 13.3 | 85.2 | 16.2 | 13.4 | 82.3 | 15.3 | 13.6 | 76.7 | 13.8 | 14.0 | 50   | 88.0 | 15.2 | 14.2 | 87.4 | 15.7 | 14.3 | 86.1 | 16.1 | 13.3 | 85.2 | 16.2 | 13.4 | 82.3 | 15.3 | 13.6 | 76.7 | 13.8 | 14.0 | 50   | 88.0 | 15.2 | 14.2 | 87.4 | 15.7 | 14.3 | 86.1 | 16.1 | 13.3 | 85.2 | 16.2 | 13.4 | 82.3 | 15.3 | 13.6 | 76.7 | 13.8 | 14.0 | 50   | 88.0 | 15.2 | 14.2 | 87.4 | 15.7 | 14.3 | 86.1 | 16.1 | 13.3 | 85.2 | 16.2 | 13.4 | 82.3 | 15.3 | 13.6 | 76.7 | 13.8 | 14.0 | 50   | 88.0 | 15.2 | 14.2 | 87.4 | 15.7 | 14.3 | 86.1 | 16.1 | 13.3 | 85.2 | 16.2 | 13.4 | 82.3 | 15.3 | 13.6 | 76.7 | 13.8 | 14.0 |      |      |      |      |      |      |      |      |      |      |      |      |      |      |      |      |      |
|                 | 25                     |  |                              | 50   | 95.7 | 16.0 | 17.4 | 93.7 | 16.0 | 17.6 | 88.0 | 14.5 | 18.0 | 85.2 | 13.8 | 18.2 | 82.3 | 13.1 | 18.4 | 76.7 | 11.8 | 18.8 | 50   | 95.7 | 16.0 | 17.4 | 93.7 | 16.0 | 17.6 | 88.0 | 14.5 | 18.0 | 85.2 | 13.8 | 18.2 | 82.3 | 13.1 | 18.4 | 76.7 | 11.8 | 18.8 | 50   | 95.7 | 16.0 | 17.4 | 93.7 | 16.0 | 17.6 | 88.0 | 14.5 | 18.0 | 85.2 | 13.8 | 18.2 | 82.3 | 13.1 | 18.4 | 76.7 | 11.8 | 18.8 | 50   | 95.7 | 16.0 | 17.4 | 93.7 | 16.0 | 17.6 | 88.0 | 14.5 | 18.0 | 85.2 | 13.8 | 18.2 | 82.3 | 13.1 | 18.4 | 76.7 | 11.8 | 18.8 | 50   | 95.7 | 16.0 | 17.4 | 93.7 | 16.0 | 17.6 | 88.0 | 14.5 | 18.0 | 85.2 | 13.8 | 18.2 | 82.3 | 13.1 | 18.4 | 76.7 | 11.8 | 18.8 |      |      |      |      |      |      |      |      |      |      |      |      |      |      |      |      |      |
|                 |                        | 30   |                              | 50   | 99.3 | 15.2 | 22.0 | 93.7 | 13.9 | 22.4 | 88.0 | 12.6 | 22.8 | 85.2 | 12.0 | 23.0 | 82.3 | 11.4 | 23.2 | 76.7 | 10.3 | 23.7 | 50   | 99.3 | 15.2 | 22.0 | 93.7 | 13.9 | 22.4 | 88.0 | 12.6 | 22.8 | 85.2 | 12.0 | 23.0 | 82.3 | 11.4 | 23.2 | 76.7 | 10.3 | 23.7 | 50   | 99.3 | 15.2 | 22.0 | 93.7 | 13.9 | 22.4 | 88.0 | 12.6 | 22.8 | 85.2 | 12.0 | 23.0 | 82.3 | 11.4 | 23.2 | 76.7 | 10.3 | 23.7 | 50   | 99.3 | 15.2 | 22.0 | 93.7 | 13.9 | 22.4 | 88.0 | 12.6 | 22.8 | 85.2 | 12.0 | 23.0 | 82.3 | 11.4 | 23.2 | 76.7 | 10.3 | 23.7 | 50   | 99.3 | 15.2 | 22.0 | 93.7 | 13.9 | 22.4 | 88.0 | 12.6 | 22.8 | 85.2 | 12.0 | 23.0 | 82.3 | 11.4 | 23.2 | 76.7 | 10.3 | 23.7 |      |      |      |      |      |      |      |      |      |      |      |      |      |      |      |      |      |
|                 |                        |  | 35                           | 50   | 99.3 | 13.3 | 28.8 | 93.7 | 12.2 | 27.2 | 88.0 | 11.1 | 27.7 | 85.2 | 10.6 | 27.9 | 82.3 | 10.1 | 28.1 | 76.7 | 9.15 | 28.5 | 50   | 99.3 | 13.3 | 28.8 | 93.7 | 12.2 | 27.2 | 88.0 | 11.1 | 27.7 | 85.2 | 10.6 | 27.9 | 82.3 | 10.1 | 28.1 | 76.7 | 9.15 | 28.5 | 50   | 99.3 | 13.3 | 28.8 | 93.7 | 12.2 | 27.2 | 88.0 | 11.1 | 27.7 | 85.2 | 10.6 | 27.9 | 82.3 | 10.1 | 28.1 | 76.7 | 9.15 | 28.5 | 50   | 99.3 | 13.3 | 28.8 | 93.7 | 12.2 | 27.2 | 88.0 | 11.1 | 27.7 | 85.2 | 10.6 | 27.9 | 82.3 | 10.1 | 28.1 | 76.7 | 9.15 | 28.5 | 50   | 99.3 | 13.3 | 28.8 | 93.7 | 12.2 | 27.2 | 88.0 | 11.1 | 27.7 | 85.2 | 10.6 | 27.9 | 82.3 | 10.1 | 28.1 | 76.7 | 9.15 | 28.5 |      |      |      |      |      |      |      |      |      |      |      |      |      |      |      |      |      |
|                 | 40                     |  |                              | 50   | 99.3 | 12.7 | 33.1 | 93.7 | 11.7 | 33.5 | 88.0 | 10.7 | 33.8 | 85.2 | 10.2 | 34.0 | 82.3 | 9.75 | 34.2 | 76.7 | 8.84 | 34.6 | 50   | 99.3 | 12.7 | 33.1 | 93.7 | 11.7 | 33.5 | 88.0 | 10.7 | 33.8 | 85.2 | 10.2 | 34.0 | 82.3 | 9.75 | 34.2 | 76.7 | 8.84 | 34.6 | 50   | 99.3 | 12.7 | 33.1 | 93.7 | 11.7 | 33.5 | 88.0 | 10.7 | 33.8 | 85.2 | 10.2 | 34.0 | 82.3 | 9.75 | 34.2 | 76.7 | 8.84 | 34.6 | 50   | 99.3 | 12.7 | 33.1 | 93.7 | 11.7 | 33.5 | 88.0 | 10.7 | 33.8 | 85.2 | 10.2 | 34.0 | 82.3 | 9.75 | 34.2 | 76.7 | 8.84 | 34.6 | 50   | 99.3 | 12.7 | 33.1 | 93.7 | 11.7 | 33.5 | 88.0 | 10.7 | 33.8 | 85.2 | 10.2 | 34.0 | 82.3 | 9.75 | 34.2 | 76.7 | 8.84 | 34.6 |      |      |      |      |      |      |      |      |      |      |      |      |      |      |      |      |      |
|                 |                        | 45   |                              | 50   | 99.3 | 12.4 | 36.7 | 93.7 | 11.5 | 37.1 | 88.0 | 10.5 | 37.6 | 85.2 | 10.1 | 37.8 | 82.3 | 9.60 | 38.0 | 76.7 | 8.70 | 38.5 | 50   | 99.3 | 12.4 | 36.7 | 93.7 | 11.5 | 37.1 | 88.0 | 10.5 | 37.6 | 85.2 | 10.1 | 37.8 | 82.3 | 9.60 | 38.0 | 76.7 | 8.70 | 38.5 | 50   | 99.3 | 12.4 | 36.7 | 93.7 | 11.5 | 37.1 | 88.0 | 10.5 | 37.6 | 85.2 | 10.1 | 37.8 | 82.3 | 9.60 | 38.0 | 76.7 | 8.70 | 38.5 | 50   | 99.3 | 12.4 | 36.7 | 93.7 | 11.5 | 37.1 | 88.0 | 10.5 | 37.6 | 85.2 | 10.1 | 37.8 | 82.3 | 9.60 | 38.0 | 76.7 | 8.70 | 38.5 | 50   | 99.3 | 12.4 | 36.7 | 93.7 | 11.5 | 37.1 | 88.0 | 10.5 | 37.6 | 85.2 | 10.1 | 37.8 | 82.3 | 9.60 | 38.0 | 76.7 | 8.70 | 38.5 |      |      |      |      |      |      |      |      |      |      |      |      |      |      |      |      |      |
|                 |                        |  | 50                           | 50   | 47.7 | 7.64 | 6.18 | 47.9 | 7.60 | 6.15 | 48.1 | 7.63 | 6.14 | 48.1 | 7.67 | 6.14 | 48.1 | 7.73 | 6.14 | 48.0 | 7.91 | 6.17 | 50   | 47.7 | 7.64 | 6.18 | 47.9 | 7.60 | 6.15 | 48.1 | 7.63 | 6.14 | 48.1 | 7.67 | 6.14 | 48.1 | 7.73 | 6.14 | 48.0 | 7.91 | 6.17 | 50   | 47.7 | 7.64 | 6.18 | 47.9 | 7.60 | 6.15 | 48.1 | 7.63 | 6.14 | 48.1 | 7.67 | 6.14 | 48.1 | 7.73 | 6.14 | 48.0 | 7.91 | 6.17 | 50   | 47.7 | 7.64 | 6.18 | 47.9 | 7.60 | 6.15 | 48.1 | 7.63 | 6.14 | 48.1 | 7.67 | 6.14 | 48.1 | 7.73 | 6.14 | 48.0 | 7.91 | 6.17 | 50   | 47.7 | 7.64 | 6.18 | 47.9 | 7.60 | 6.15 | 48.1 | 7.63 | 6.14 | 48.1 | 7.67 | 6.14 | 48.1 | 7.73 | 6.14 | 48.0 | 7.91 | 6.17 |      |      |      |      |      |      |      |      |      |      |      |      |      |      |      |      |      |
|                 | 55                     |  |                              | 50   | 55.0 | 9.13 | 6.35 | 55.0 | 9.25 | 6.35 | 54.9 | 9.44 | 6.38 | 54.8 | 9.56 | 6.40 | 54.7 | 9.70 | 6.42 | 54.4 | 10.0 | 6.47 | 50   | 55.0 | 9.13 | 6.35 | 55.0 | 9.25 | 6.35 | 54.9 | 9.44 | 6.38 | 54.8 | 9.56 | 6.40 | 54.7 | 9.70 | 6.42 | 54.4 | 10.0 | 6.47 | 50   | 55.0 | 9.13 | 6.35 | 55.0 | 9.25 | 6.35 | 54.9 | 9.44 | 6.38 | 54.8 | 9.56 | 6.40 | 54.7 | 9.70 | 6.42 | 54.4 | 10.0 | 6.47 | 50   | 55.0 | 9.13 | 6.35 | 55.0 | 9.25 | 6.35 | 54.9 | 9.44 | 6.38 | 54.8 | 9.56 | 6.40 | 54.7 | 9.70 | 6.42 | 54.4 | 10.0 | 6.47 | 50   | 55.0 | 9.13 | 6.35 | 55.0 | 9.25 | 6.35 | 54.9 | 9.44 | 6.38 | 54.8 | 9.56 | 6.40 | 54.7 | 9.70 | 6.42 | 54.4 | 10.0 | 6.47 |      |      |      |      |      |      |      |      |      |      |      |      |      |      |      |      |      |

CA08A496A

# 4 Capacity tables

## 4 - 3 Heating capacity tables

| RWEYQ28PY1      |                        | TC: Total Capacity: kW ; PI: Power Input: kW (compressor + outdoor fan motor) ; OWT: Outlet Water Temperatur: °C |                              |      |      |      |      |       |      |       |       |      |      |      |      |      |      |      |       |      |  |  |  |  |  |  |
|-----------------|------------------------|--|------------------------------|------|------|------|------|-------|------|-------|-------|------|------|------|------|------|------|------|-------|------|--|--|--|--|--|--|
| Combination (%) | Inlet Water Temp. (°C) | Water Volume (note2) L/min   | Indoor air temperature: °CWB |      |      |      |      |       |      |       |       |      |      |      |      |      |      |      |       |      |  |  |  |  |  |  |
|                 |                        |  | 16.0                         |      |      | 18.0 |      |       | 20.0 |       |       | 21.0 |      |      | 22.0 |      |      | 24.0 |       |      |  |  |  |  |  |  |
|                 |                        |  | TC                           | PI   | OWT  | TC   | PI   | OWT   | TC   | PI    | OWT   | TC   | PI   | OWT  | TC   | PI   | OWT  | TC   | PI    | OWT  |  |  |  |  |  |  |
| 70              | 10                     | 50   | 48.0                         | 7.89 | 6.17 | 47.8 | 8.07 | 6.20  | 47.6 | 8.30  | 6.25  | 47.4 | 8.43 | 6.27 | 47.3 | 8.57 | 6.30 | 46.9 | 8.89  | 6.37 |  |  |  |  |  |  |
|                 |                        | 60   | 54.4                         | 10.0 | 6.46 | 54.1 | 10.3 | 6.51  | 53.7 | 10.6  | 6.57  | 53.5 | 10.8 | 6.60 | 53.2 | 11.0 | 6.64 | 52.7 | 11.4  | 6.71 |  |  |  |  |  |  |
|                 |                        | 96   | 68.5                         | 15.6 | 7.37 | 65.6 | 14.8 | 7.47  | 61.6 | 13.4  | 7.60  | 59.6 | 12.8 | 7.67 | 57.6 | 12.2 | 7.74 | 53.7 | 11.0  | 7.87 |  |  |  |  |  |  |
|                 |                        | 120  | 69.5                         | 15.6 | 7.85 | 65.6 | 14.3 | 7.96  | 61.6 | 13.0  | 8.06  | 59.6 | 12.4 | 8.12 | 57.6 | 11.8 | 8.17 | 53.7 | 10.6  | 8.29 |  |  |  |  |  |  |
|                 | 15                     | 50   | 69.5                         | 15.5 | 9.84 | 65.6 | 14.2 | 10.09 | 61.6 | 12.9  | 10.35 | 59.6 | 12.3 | 10.5 | 57.6 | 11.7 | 10.6 | 53.7 | 10.54 | 10.9 |  |  |  |  |  |  |
|                 |                        | 60   | 69.5                         | 14.9 | 10.7 | 65.6 | 13.6 | 10.9  | 61.6 | 12.4  | 11.1  | 59.6 | 11.8 | 11.2 | 57.6 | 11.2 | 11.3 | 53.7 | 10.15 | 11.5 |  |  |  |  |  |  |
|                 |                        | 96   | 69.5                         | 13.4 | 12.2 | 65.6 | 12.3 | 12.4  | 61.6 | 11.2  | 12.5  | 59.6 | 10.7 | 12.6 | 57.6 | 10.2 | 12.6 | 53.7 | 9.24  | 12.8 |  |  |  |  |  |  |
|                 |                        | 120  | 69.5                         | 13.0 | 12.8 | 65.6 | 11.9 | 12.9  | 61.6 | 10.9  | 13.0  | 59.6 | 10.4 | 13.0 | 57.6 | 9.9  | 13.1 | 53.7 | 8.96  | 13.2 |  |  |  |  |  |  |
|                 | 20                     | 50   | 69.5                         | 11.9 | 14.5 | 65.6 | 10.9 | 14.8  | 61.6 | 9.98  | 15.1  | 59.6 | 9.53 | 15.2 | 57.6 | 9.09 | 15.4 | 53.7 | 8.25  | 15.7 |  |  |  |  |  |  |
|                 |                        | 60   | 69.5                         | 11.8 | 15.4 | 65.6 | 10.8 | 15.6  | 61.6 | 9.87  | 15.9  | 59.6 | 9.43 | 16.0 | 57.6 | 9.00 | 16.1 | 53.7 | 8.18  | 16.4 |  |  |  |  |  |  |
|                 |                        | 96   | 69.5                         | 11.4 | 17.1 | 65.6 | 10.5 | 17.3  | 61.6 | 9.62  | 17.4  | 59.6 | 9.20 | 17.5 | 57.6 | 8.78 | 17.6 | 53.7 | 7.98  | 17.7 |  |  |  |  |  |  |
|                 |                        | 120  | 69.5                         | 11.3 | 17.7 | 65.6 | 10.4 | 17.8  | 61.6 | 9.54  | 17.9  | 59.6 | 9.12 | 18.0 | 57.6 | 8.71 | 18.1 | 53.7 | 7.92  | 18.2 |  |  |  |  |  |  |
| 25              | 50                     | 69.5   | 10.3                         | 19.3 | 65.6 | 9.45 | 19.6 | 61.6  | 8.88 | 19.9  | 59.6  | 8.30 | 20.1 | 57.6 | 7.94 | 20.3 | 53.7 | 7.23 | 20.6  |      |  |  |  |  |  |  |
|                 | 60                     | 69.5   | 10.2                         | 20.3 | 65.6 | 9.36 | 20.5 | 61.6  | 8.99 | 20.8  | 59.6  | 8.22 | 20.9 | 57.6 | 7.86 | 21.0 | 53.7 | 7.17 | 21.3  |      |  |  |  |  |  |  |
|                 | 96                     | 69.5   | 9.90                         | 22.0 | 65.6 | 9.12 | 22.2 | 61.6  | 8.38 | 22.4  | 59.6  | 8.02 | 22.4 | 57.6 | 7.67 | 22.5 | 53.7 | 7.00 | 22.7  |      |  |  |  |  |  |  |
|                 | 120                    | 69.5   | 9.82                         | 22.6 | 65.6 | 9.05 | 22.8 | 61.6  | 8.32 | 22.9  | 59.6  | 7.96 | 22.9 | 57.6 | 7.62 | 23.0 | 53.7 | 6.95 | 23.1  |      |  |  |  |  |  |  |
| 30              | 50                     | 69.5   | 9.01                         | 24.2 | 65.6 | 8.32 | 24.5 | 61.6  | 7.66 | 24.8  | 59.6  | 7.35 | 25.0 | 57.6 | 7.04 | 25.2 | 53.7 | 6.44 | 25.5  |      |  |  |  |  |  |  |
|                 | 60                     | 69.5   | 8.92                         | 25.2 | 65.6 | 8.24 | 25.4 | 61.6  | 7.59 | 25.7  | 59.6  | 7.28 | 25.8 | 57.6 | 6.97 | 26.0 | 53.7 | 6.38 | 26.2  |      |  |  |  |  |  |  |
|                 | 96                     | 69.5   | 8.70                         | 27.0 | 65.6 | 8.04 | 27.1 | 61.6  | 7.41 | 27.3  | 59.6  | 7.11 | 27.4 | 57.6 | 6.81 | 27.5 | 53.7 | 6.24 | 27.6  |      |  |  |  |  |  |  |
|                 | 120                    | 69.5   | 8.63                         | 27.6 | 65.6 | 7.98 | 27.7 | 61.6  | 7.36 | 27.8  | 59.6  | 7.06 | 27.9 | 57.6 | 6.76 | 28.0 | 53.7 | 6.20 | 28.1  |      |  |  |  |  |  |  |
| 35              | 50                     | 69.5   | 8.02                         | 29.1 | 65.6 | 7.43 | 29.4 | 61.6  | 6.86 | 29.8  | 59.6  | 6.59 | 29.9 | 57.6 | 6.32 | 30.1 | 53.7 | 5.81 | 30.4  |      |  |  |  |  |  |  |
|                 | 60                     | 69.5   | 7.94                         | 30.1 | 65.6 | 7.36 | 30.4 | 61.6  | 6.80 | 30.6  | 59.6  | 6.53 | 30.8 | 57.6 | 6.27 | 30.9 | 53.7 | 5.76 | 31.2  |      |  |  |  |  |  |  |
|                 | 96                     | 69.5   | 7.75                         | 31.9 | 65.6 | 7.19 | 32.1 | 61.6  | 6.65 | 32.3  | 59.6  | 6.39 | 32.4 | 57.6 | 6.13 | 32.4 | 53.7 | 5.64 | 32.6  |      |  |  |  |  |  |  |
|                 | 120                    | 69.5   | 7.69                         | 32.5 | 65.6 | 7.13 | 32.7 | 61.6  | 6.60 | 32.8  | 59.6  | 6.34 | 32.9 | 57.6 | 6.09 | 32.9 | 53.7 | 5.60 | 33.1  |      |  |  |  |  |  |  |
| 40              | 50                     | 69.5   | 7.82                         | 34.1 | 65.6 | 7.24 | 34.4 | 61.6  | 6.69 | 34.8  | 59.6  | 6.42 | 34.9 | 57.6 | 6.16 | 35.1 | 53.7 | 5.66 | 35.4  |      |  |  |  |  |  |  |
|                 | 60                     | 69.5   | 7.74                         | 35.1 | 65.6 | 7.17 | 35.4 | 61.6  | 6.63 | 35.6  | 59.6  | 6.37 | 35.8 | 57.6 | 6.11 | 35.9 | 53.7 | 5.61 | 36.2  |      |  |  |  |  |  |  |
|                 | 96                     | 69.5   | 7.56                         | 36.9 | 65.6 | 7.01 | 37.1 | 61.6  | 6.48 | 37.3  | 59.6  | 6.23 | 37.3 | 57.6 | 5.98 | 37.4 | 53.7 | 5.50 | 37.6  |      |  |  |  |  |  |  |
|                 | 120                    | 69.5   | 7.50                         | 37.5 | 65.6 | 6.96 | 37.7 | 61.6  | 6.43 | 37.8  | 59.6  | 6.18 | 37.9 | 57.6 | 5.93 | 37.9 | 53.7 | 5.46 | 38.1  |      |  |  |  |  |  |  |
| 45              | 50                     | 69.5   | 7.62                         | 39.1 | 65.6 | 7.06 | 39.4 | 61.6  | 6.52 | 39.7  | 59.6  | 6.26 | 39.9 | 57.6 | 6.01 | 40.1 | 53.7 | 5.52 | 40.4  |      |  |  |  |  |  |  |
|                 | 60                     | 69.5   | 7.55                         | 40.1 | 65.6 | 6.99 | 40.3 | 61.6  | 6.46 | 40.6  | 59.6  | 6.21 | 40.7 | 57.6 | 5.96 | 40.9 | 53.7 | 5.47 | 41.2  |      |  |  |  |  |  |  |
|                 | 96                     | 69.5   | 7.37                         | 41.9 | 65.6 | 6.83 | 42.1 | 61.6  | 6.32 | 42.2  | 59.6  | 6.07 | 42.3 | 57.6 | 5.83 | 42.4 | 53.7 | 5.36 | 42.6  |      |  |  |  |  |  |  |
|                 | 120                    | 69.5   | 7.31                         | 42.5 | 65.6 | 6.78 | 42.7 | 61.6  | 6.27 | 42.8  | 59.6  | 6.03 | 42.9 | 57.6 | 5.79 | 42.9 | 53.7 | 5.32 | 43.1  |      |  |  |  |  |  |  |
| 60              | 10                     | 50   | 47.4                         | 8.4  | 6.27 | 47.2 | 8.7  | 6.32  | 46.8 | 9.0   | 6.38  | 46.6 | 9.1  | 6.42 | 46.4 | 9.3  | 6.45 | 45.9 | 9.63  | 6.53 |  |  |  |  |  |  |
|                 |                        | 60   | 53.5                         | 10.8 | 6.60 | 53.1 | 11.1 | 6.66  | 52.6 | 11.5  | 6.73  | 51.1 | 11.0 | 6.81 | 49.4 | 10.5 | 6.90 | 46.0 | 9.39  | 7.08 |  |  |  |  |  |  |
|                 |                        | 96   | 59.6                         | 12.8 | 7.67 | 56.2 | 11.7 | 7.79  | 52.8 | 10.7  | 7.90  | 51.1 | 10.2 | 7.96 | 49.4 | 9.72 | 8.02 | 46.0 | 8.80  | 8.15 |  |  |  |  |  |  |
|                 |                        | 120  | 59.6                         | 12.4 | 8.12 | 56.2 | 11.3 | 8.21  | 52.8 | 10.4  | 8.31  | 51.1 | 9.9  | 8.36 | 49.4 | 9.44 | 8.41 | 46.0 | 8.56  | 8.51 |  |  |  |  |  |  |
|                 | 15                     | 50   | 59.6                         | 12.3 | 10.5 | 56.2 | 11.3 | 10.7  | 52.8 | 10.29 | 10.9  | 51.1 | 9.82 | 11.1 | 49.4 | 9.37 | 11.2 | 46.0 | 8.50  | 11.4 |  |  |  |  |  |  |
|                 |                        | 60   | 59.6                         | 11.8 | 11.2 | 56.2 | 10.8 | 11.4  | 52.8 | 9.91  | 11.6  | 51.1 | 9.47 | 11.7 | 49.4 | 9.03 | 11.8 | 46.0 | 8.20  | 12.0 |  |  |  |  |  |  |
|                 |                        | 96   | 59.6                         | 10.7 | 12.6 | 56.2 | 9.85 | 12.7  | 52.8 | 9.03  | 12.8  | 51.1 | 8.64 | 12.9 | 49.4 | 8.25 | 13.0 | 46.0 | 7.51  | 13.1 |  |  |  |  |  |  |
|                 |                        | 120  | 59.6                         | 10.4 | 13.0 | 56.2 | 9.54 | 13.1  | 52.8 | 8.76  | 13.2  | 51.1 | 8.38 | 13.3 | 49.4 | 8.01 | 13.4 | 46.0 | 7.30  | 13.5 |  |  |  |  |  |  |
|                 | 20                     | 50   | 59.6                         | 9.52 | 15.2 | 56.2 | 8.78 | 15.5  | 52.8 | 8.07  | 15.7  | 51.1 | 7.73 | 15.9 | 49.4 | 7.40 | 16.0 | 46.0 | 6.76  | 16.2 |  |  |  |  |  |  |
|                 |                        | 60   | 59.6                         | 9.43 | 16.0 | 56.2 | 8.70 | 16.2  | 52.8 | 8.00  | 16.4  | 51.1 | 7.66 | 16.5 | 49.4 | 7.33 | 16.7 | 46.0 | 6.70  | 16.9 |  |  |  |  |  |  |
|                 |                        | 96   | 59.6                         | 9.19 | 17.5 | 56.2 | 8.48 | 17.6  | 52.8 | 7.81  | 17.8  | 51.1 | 7.48 | 17.8 | 49.4 | 7.16 | 17.9 | 46.0 | 6.55  | 18.0 |  |  |  |  |  |  |
|                 |                        | 120  | 59.6                         | 9.11 | 18.0 | 56.2 | 8.41 | 18.1  | 52.8 | 7.75  | 18.2  | 51.1 | 7.42 | 18.3 | 49.4 | 7.11 | 18.3 | 46.0 | 6.50  | 18.4 |  |  |  |  |  |  |
| 25              | 50                     | 59.6   | 8.29                         | 20.1 | 56.2 | 7.68 | 20.4 | 52.8  | 7.08 | 20.6  | 51.1  | 6.80 | 20.8 | 49.4 | 6.52 | 20.9 | 46.0 | 5.98 | 21.2  |      |  |  |  |  |  |  |
|                 | 60                     | 59.6   | 8.22                         | 20.9 | 56.2 | 7.60 | 21.1 | 52.8  | 7.02 | 21.4  | 51.1  | 6.74 | 21.5 | 49.4 | 6.46 | 21.6 | 46.0 | 5.93 | 21.8  |      |  |  |  |  |  |  |
|                 | 96                     | 59.6   | 8.02                         | 22.4 | 56.2 | 7.42 | 22.6 | 52.8  | 6.86 | 22.7  | 51.1  | 6.58 | 22.8 | 49.4 | 6.32 | 22.9 | 46.0 | 5.80 | 23.0  |      |  |  |  |  |  |  |
|                 | 120                    | 59.6   | 7.96                         | 22.9 | 56.2 | 7.37 | 23.1 | 52.8  | 6.81 | 23.2  | 51.1  | 6.54 | 23.2 | 49.4 | 6.27 | 23.3 | 46.0 | 5.76 | 23.4  |      |  |  |  |  |  |  |
| 30              | 50                     | 59.6   | 7.34                         | 25.0 | 56.2 | 6.81 | 25.3 | 52.8  | 6.31 | 25.6  | 51.1  | 6.07 | 25.7 | 49.4 | 5.83 | 25.8 | 46.0 | 5.37 | 26.1  |      |  |  |  |  |  |  |
|                 | 60                     | 59.6   | 7.27                         | 25.8 | 56.2 | 6.75 | 26.1 | 52.8  | 6.25 | 26.3  | 51.1  | 6.01 | 26.4 | 49.4 | 5.78 | 26.5 | 46.0 | 5.32 | 26.8  |      |  |  |  |  |  |  |
|                 | 96                     | 59.6   | 7.10                         | 27.4 | 56.2 | 6.60 | 27.5 | 52.8  | 6.12 | 27.7  | 51.1  | 5.88 | 27.8 | 49.4 | 5.66 | 27.8 | 46.0 | 5.22 | 28.0  |      |  |  |  |  |  |  |
|                 | 120                    | 59.6   | 7.05                         | 27.9 | 56.2 | 6.55 | 28.0 | 52.8  | 6.08 | 28.1  | 51.1  | 5.84 | 28.2 | 49.4 | 5.62 | 28.3 | 46.0 | 5.18 | 28.4  |      |  |  |  |  |  |  |
| 35              | 50                     | 59.6   | 6.58                         | 29.9 | 56.2 | 6.13 | 30.2 | 52.8  | 5.69 | 30.5  | 51.1  | 5.48 | 30.6 | 49.4 | 5.28 | 30.8 | 46.0 | 4.88 | 31.1  |      |  |  |  |  |  |  |
|                 | 60                     | 59.6   | 6.52                         | 30.8 | 56.2 | 6.08 | 31.0 | 52.8  | 5.65 | 31.2  | 51.1  | 5.44 | 31.4 | 49.4 | 5.24 | 31.5 | 46.0 | 4.84 | 31.7  |      |  |  |  |  |  |  |
|                 | 96                     | 59.6   | 6.38                         | 32.4 | 56.2 | 5.95 | 32.5 | 52.8  | 5.53 | 32.6  | 51.1  | 5.33 | 32.7 | 49.4 | 5.13 | 32.8 | 46.0 | 4.75 | 32.9  |      |  |  |  |  |  |  |
|                 | 120                    | 59.6   | 6.33                         | 32.9 | 56.2 | 5.91 | 33.0 | 52.8  | 5.49 | 33.1  | 51.1  | 5.29 | 33.2 | 49.4 | 5.10 | 33.2 | 46.0 | 4.72 | 33.4  |      |  |  |  |  |  |  |
| 40              | 50                     | 59.6   | 6.42                         | 34.9 | 56.2 | 5.98 | 35.2 | 52.8  | 5.55 | 35.5  | 51.1  | 5.35 | 35.6 | 49.4 | 5.15 | 35.8 | 46.0 | 4.76 | 36.1  |      |  |  |  |  |  |  |
|                 | 60                     | 59.6   | 6.36                         | 35.8 | 56.2 | 5.93 | 36.0 | 52.8  | 5.51 | 36.2  | 51.1  | 5.30 | 36.4 | 49.4 | 5.11 | 36.5 | 46.0 | 4.72 | 36.7  |      |  |  |  |  |  |  |
|                 | 96                     | 59.6   | 6.22                         | 37.3 | 56.2 | 5.80 | 37.1 | 52.8  | 5.39 | 37.6  | 51.1  | 5.20 | 37.7 | 49.4 | 5.00 | 37.8 | 46.0 | 4.63 | 37.9  |      |  |  |  |  |  |  |
|                 | 120                    | 59.6   | 6.18                         | 37.9 | 56.2 | 5.76 | 38.0 | 52.8  | 5.36 | 38.1  | 51.1  | 5.16 | 38.2 |      |      |      |      |      |       |      |  |  |  |  |  |  |

# 4 Capacity tables

## 4 - 3 Heating capacity tables

| RWEYQ30PY1      |                        |                            |                              |      |      |      |      |      |        |      |      |      |      |      |      |      |      | TC: Total Capacity: kW ; PI: Power Input: kW (compressor + outdoor fan motor) ; OWT: Outlet Water Temperatur: °C |      |      |  |  |  |  |  |  |  |  |  |  |  |  |  |  |  |
|-----------------|------------------------|----------------------------|------------------------------|------|------|------|------|------|--------|------|------|------|------|------|------|------|------|--|------|------|--|--|--|--|--|--|--|--|--|--|--|--|--|--|--|
| Combination (%) | Inlet Water Temp. (°C) | Water Volume (note2) L/min | Indoor air temperature: °CWB |      |      |      |      |      |        |      |      |      |      |      |      |      |      |  |      |      |  |  |  |  |  |  |  |  |  |  |  |  |  |  |  |
|                 |                        |                            | 16.0                         |      |      | 18.0 |      |      | 20.0   |      |      | 21.0 |      |      | 22.0 |      |      | 24.0   |      |      |  |  |  |  |  |  |  |  |  |  |  |  |  |  |  |
|                 |                        |                            | TC                           | PI   | OWT  | TC   | PI   | OWT  | TC     | PI   | OWT  | TC   | PI   | OWT  | TC   | PI   | OWT  | TC   | PI   | OWT  |  |  |  |  |  |  |  |  |  |  |  |  |  |  |  |
| 130             | 10                     | 50                         | 44.4                         | 11.7 | 6.88 | 46.2 | 10.7 | 6.61 | 47.8   | 9.93 | 6.38 | 48.5 | 9.60 | 6.28 | 49.2 | 9.30 | 6.19 | 50.2   | 8.84 | 6.05 |  |  |  |  |  |  |  |  |  |  |  |  |  |  |  |
|                 |                        | 60                         | 55.1                         | 11.7 | 6.54 | 56.4 | 11.1 | 6.39 | 57.4   | 10.6 | 6.27 | 57.8 | 10.4 | 6.22 | 58.2 | 10.3 | 6.18 | 58.7   | 10.1 | 6.13 |  |  |  |  |  |  |  |  |  |  |  |  |  |  |  |
|                 |                        | 96                         | 76.4                         | 13.8 | 6.89 | 76.7 | 13.8 | 6.87 | 76.8   | 13.9 | 6.87 | 76.8 | 14.0 | 6.87 | 76.8 | 14.2 | 6.88 | 76.5   | 14.5 | 6.91 |  |  |  |  |  |  |  |  |  |  |  |  |  |  |  |
|                 | 15                     | 50                         | 80.3                         | 14.2 | 8.69 | 80.5 | 14.3 | 8.68 | 80.4   | 14.5 | 8.70 | 80.4 | 14.6 | 8.72 | 80.3 | 14.8 | 8.75 | 79.9   | 15.2 | 8.82 |  |  |  |  |  |  |  |  |  |  |  |  |  |  |  |
|                 |                        | 60                         | 82.6                         | 14.2 | 9.56 | 82.7 | 14.4 | 9.56 | 82.6   | 14.6 | 9.59 | 82.5 | 14.8 | 9.61 | 82.3 | 15.0 | 9.64 | 81.9   | 15.4 | 9.7  |  |  |  |  |  |  |  |  |  |  |  |  |  |  |  |
|                 |                        | 96                         | 88.5                         | 14.4 | 11.3 | 88.4 | 14.7 | 11.3 | 88.2   | 15.0 | 11.4 | 88.0 | 15.2 | 11.4 | 87.7 | 15.5 | 11.4 | 87.1   | 16.0 | 11.5 |  |  |  |  |  |  |  |  |  |  |  |  |  |  |  |
|                 | 20                     | 50                         | 96.2                         | 14.9 | 12.2 | 95.9 | 15.2 | 12.3 | 95.4   | 15.6 | 12.4 | 95.1 | 15.9 | 12.4 | 94.7 | 16.2 | 12.5 | 94.0   | 16.8 | 12.6 |  |  |  |  |  |  |  |  |  |  |  |  |  |  |  |
|                 |                        | 60                         | 96.9                         | 14.9 | 13.5 | 96.5 | 15.3 | 13.5 | 96.0   | 15.7 | 13.6 | 95.7 | 16.0 | 13.7 | 95.4 | 16.2 | 13.7 | 94.6   | 16.8 | 13.8 |  |  |  |  |  |  |  |  |  |  |  |  |  |  |  |
|                 |                        | 96                         | 98.6                         | 15.0 | 15.8 | 98.2 | 15.4 | 15.9 | 97.7   | 15.9 | 15.9 | 97.3 | 16.1 | 16.0 | 97.0 | 16.4 | 16.0 | 96.1   | 17.0 | 16.1 |  |  |  |  |  |  |  |  |  |  |  |  |  |  |  |
|                 | 25                     | 50                         | 106                          | 15.6 | 17.8 | 105  | 16.0 | 17.8 | 105    | 16.5 | 17.8 | 104  | 16.8 | 17.8 | 104  | 17.1 | 17.8 | 103  | 17.8 | 16.9 |  |  |  |  |  |  |  |  |  |  |  |  |  |  |  |
|                 |                        | 60                         | 107                          | 15.6 | 18.8 | 106  | 16.1 | 17.8 | 105    | 16.6 | 17.9 | 105  | 16.9 | 18.0 | 104  | 17.2 | 18.1 | 103  | 17.8 | 18.2 |  |  |  |  |  |  |  |  |  |  |  |  |  |  |  |
|                 |                        | 96                         | 109                          | 15.8 | 20.4 | 108  | 16.3 | 20.4 | 107    | 16.6 | 20.5 | 107  | 17.1 | 20.5 | 106  | 17.4 | 20.6 | 105  | 18.0 | 20.7 |  |  |  |  |  |  |  |  |  |  |  |  |  |  |  |
| 30              | 50                     | 116                        | 16.4                         | 20.5 | 115  | 16.9 | 20.6 | 114  | 17.5   | 20.8 | 113  | 17.8 | 20.9 | 113  | 18.1 | 20.9 | 107  | 16.9   | 21.4 |      |  |  |  |  |  |  |  |  |  |  |  |  |  |  |  |
|                 | 60                     | 116                        | 16.5                         | 22.0 | 116  | 17.0 | 22.2 | 115  | 17.6   | 22.3 | 114  | 17.9 | 22.3 | 114  | 18.2 | 22.4 | 107  | 16.8   | 22.8 |      |  |  |  |  |  |  |  |  |  |  |  |  |  |  |  |
|                 | 96                     | 118                        | 16.7                         | 24.9 | 117  | 17.2 | 25.0 | 117  | 17.7   | 25.1 | 116  | 18.0 | 25.1 | 115  | 18.2 | 25.2 | 107  | 16.3   | 25.5 |      |  |  |  |  |  |  |  |  |  |  |  |  |  |  |  |
| 35              | 50                     | 125                        | 17.3                         | 24.7 | 124  | 17.8 | 24.8 | 123  | 18.3   | 25.0 | 119  | 17.4 | 25.3 | 115  | 16.5 | 25.6 | 107  | 14.8   | 26.2 |      |  |  |  |  |  |  |  |  |  |  |  |  |  |  |  |
|                 | 60                     | 126                        | 17.4                         | 26.3 | 125  | 17.9 | 26.5 | 123  | 18.1   | 26.7 | 119  | 17.2 | 26.9 | 115  | 16.3 | 27.1 | 107  | 14.7   | 27.6 |      |  |  |  |  |  |  |  |  |  |  |  |  |  |  |  |
|                 | 96                     | 128                        | 17.6                         | 29.5 | 127  | 18.1 | 29.6 | 123  | 17.6   | 29.8 | 119  | 16.7 | 29.9 | 115  | 15.9 | 30.1 | 107  | 14.3   | 30.4 |      |  |  |  |  |  |  |  |  |  |  |  |  |  |  |  |
| 40              | 50                     | 135                        | 18.2                         | 28.9 | 131  | 17.8 | 29.2 | 123  | 17.6   | 29.9 | 119  | 16.8 | 30.2 | 115  | 15.9 | 30.5 | 107  | 14.3   | 31.1 |      |  |  |  |  |  |  |  |  |  |  |  |  |  |  |  |
|                 | 60                     | 136                        | 18.3                         | 30.7 | 131  | 17.6 | 31.1 | 123  | 17.4   | 31.6 | 119  | 16.6 | 31.9 | 115  | 15.8 | 32.1 | 107  | 14.2   | 32.6 |      |  |  |  |  |  |  |  |  |  |  |  |  |  |  |  |
|                 | 96                     | 138                        | 18.5                         | 34.1 | 131  | 17.1 | 34.3 | 123  | 16.9   | 34.7 | 119  | 16.1 | 34.9 | 115  | 15.3 | 35.0 | 107  | 13.8   | 35.4 |      |  |  |  |  |  |  |  |  |  |  |  |  |  |  |  |
| 45              | 50                     | 139                        | 18.5                         | 35.2 | 131  | 16.9 | 35.5 | 123  | 16.8   | 35.8 | 119  | 16.0 | 35.9 | 115  | 15.2 | 36.0 | 107  | 13.7   | 36.3 |      |  |  |  |  |  |  |  |  |  |  |  |  |  |  |  |
|                 | 60                     | 139                        | 18.1                         | 33.5 | 131  | 17.3 | 34.2 | 123  | 17.0   | 34.9 | 119  | 16.2 | 35.2 | 115  | 15.4 | 35.5 | 107  | 13.9   | 36.1 |      |  |  |  |  |  |  |  |  |  |  |  |  |  |  |  |
|                 | 96                     | 139                        | 17.9                         | 35.4 | 131  | 17.1 | 36.0 | 123  | 16.8   | 36.6 | 119  | 16.0 | 36.8 | 115  | 15.2 | 37.1 | 107  | 13.8   | 37.6 |      |  |  |  |  |  |  |  |  |  |  |  |  |  |  |  |
| 120             | 10                     | 50                         | 46.8                         | 10.4 | 6.52 | 48.2 | 9.74 | 6.32 | 49.4   | 9.20 | 6.16 | 49.9 | 8.98 | 6.09 | 50.3 | 8.80 | 6.04 | 51.0   | 8.55 | 5.95 |  |  |  |  |  |  |  |  |  |  |  |  |  |  |  |
|                 |                        | 60                         | 56.8                         | 10.9 | 6.35 | 57.7 | 10.5 | 6.24 | 58.3   | 10.2 | 6.17 | 58.6 | 10.1 | 6.14 | 58.8 | 10.1 | 6.12 | 59.1   | 10.1 | 6.10 |  |  |  |  |  |  |  |  |  |  |  |  |  |  |  |
|                 |                        | 96                         | 76.8                         | 13.8 | 6.87 | 76.8 | 14.0 | 6.87 | 76.7   | 14.2 | 6.89 | 76.6 | 14.4 | 6.90 | 76.5 | 14.6 | 6.92 | 76.1   | 15.0 | 6.96 |  |  |  |  |  |  |  |  |  |  |  |  |  |  |  |
|                 | 15                     | 50                         | 80.5                         | 14.3 | 8.68 | 80.4 | 14.6 | 8.71 | 80.2   | 14.9 | 8.76 | 80.0 | 15.1 | 8.79 | 79.8 | 15.3 | 8.83 | 79.3   | 15.8 | 8.93 |  |  |  |  |  |  |  |  |  |  |  |  |  |  |  |
|                 |                        | 60                         | 82.7                         | 14.4 | 9.57 | 82.5 | 14.7 | 9.60 | 82.3   | 15.1 | 9.65 | 82.1 | 15.3 | 9.68 | 81.8 | 15.5 | 9.72 | 81.3   | 16.1 | 9.81 |  |  |  |  |  |  |  |  |  |  |  |  |  |  |  |
|                 |                        | 96                         | 88.4                         | 14.8 | 11.3 | 88.1 | 15.1 | 11.4 | 87.6   | 15.6 | 11.4 | 87.4 | 15.8 | 11.4 | 87.1 | 16.1 | 11.5 | 86.4   | 16.7 | 11.5 |  |  |  |  |  |  |  |  |  |  |  |  |  |  |  |
|                 | 20                     | 50                         | 95.7                         | 15.4 | 12.3 | 95.2 | 15.8 | 12.4 | 94.6   | 16.3 | 12.5 | 94.2 | 16.6 | 12.6 | 93.9 | 16.8 | 12.6 | 93.0   | 17.5 | 12.8 |  |  |  |  |  |  |  |  |  |  |  |  |  |  |  |
|                 |                        | 60                         | 96.4                         | 15.4 | 13.6 | 95.8 | 15.8 | 13.6 | 95.2   | 16.3 | 13.7 | 94.9 | 16.6 | 13.8 | 94.5 | 16.9 | 13.8 | 93.6   | 17.6 | 13.9 |  |  |  |  |  |  |  |  |  |  |  |  |  |  |  |
|                 |                        | 96                         | 98.0                         | 15.6 | 15.9 | 97.5 | 16.0 | 15.9 | 96.8   | 16.5 | 16.0 | 96.4 | 16.8 | 16.0 | 96.0 | 17.1 | 16.1 | 95.1   | 17.7 | 16.2 |  |  |  |  |  |  |  |  |  |  |  |  |  |  |  |
|                 | 25                     | 50                         | 105                          | 16.2 | 16.5 | 104  | 16.7 | 16.6 | 104    | 17.3 | 16.7 | 103  | 17.5 | 16.8 | 103  | 17.9 | 16.9 | 98.8   | 17.3 | 17.2 |  |  |  |  |  |  |  |  |  |  |  |  |  |  |  |
|                 |                        | 60                         | 106                          | 16.3 | 17.9 | 105  | 16.8 | 18.0 | 104    | 17.3 | 18.1 | 104  | 17.6 | 18.1 | 103  | 17.9 | 18.2 | 98.8   | 17.1 | 18.5 |  |  |  |  |  |  |  |  |  |  |  |  |  |  |  |
|                 |                        | 96                         | 108                          | 16.4 | 20.5 | 107  | 16.9 | 20.5 | 106    | 17.5 | 20.6 | 106  | 17.8 | 20.6 | 105  | 18.1 | 20.7 | 98.8   | 16.6 | 20.9 |  |  |  |  |  |  |  |  |  |  |  |  |  |  |  |
| 30              | 50                     | 115                        | 17.1                         | 20.7 | 114  | 17.6 | 20.8 | 113  | 18.2   | 21.0 | 110  | 17.6 | 21.2 | 106  | 16.7 | 21.5 | 98.8 | 15.0   | 22.0 |      |  |  |  |  |  |  |  |  |  |  |  |  |  |  |  |
|                 | 60                     | 115                        | 17.2                         | 22.2 | 114  | 17.7 | 22.3 | 113  | 18.3   | 22.4 | 110  | 17.4 | 22.6 | 106  | 16.5 | 22.9 | 98.8 | 14.8   | 23.3 |      |  |  |  |  |  |  |  |  |  |  |  |  |  |  |  |
|                 | 96                     | 117                        | 17.4                         | 25.0 | 116  | 17.9 | 25.1 | 113  | 17.8   | 25.2 | 110  | 16.9 | 25.4 | 106  | 16.1 | 25.5 | 98.8 | 14.4   | 25.8 |      |  |  |  |  |  |  |  |  |  |  |  |  |  |  |  |
| 35              | 50                     | 124                        | 18.0                         | 24.9 | 121  | 17.8 | 25.2 | 113  | 16.2   | 25.7 | 110  | 15.4 | 26.0 | 106  | 14.6 | 26.3 | 98.8 | 13.2   | 26.8 |      |  |  |  |  |  |  |  |  |  |  |  |  |  |  |  |
|                 | 60                     | 125                        | 18.1                         | 26.5 | 121  | 17.6 | 26.8 | 113  | 16.0   | 27.2 | 110  | 15.2 | 27.5 | 106  | 14.5 | 27.7 | 98.8 | 13.0   | 28.2 |      |  |  |  |  |  |  |  |  |  |  |  |  |  |  |  |
|                 | 96                     | 127                        | 18.3                         | 29.6 | 121  | 17.1 | 29.8 | 113  | 15.6   | 30.1 | 110  | 14.8 | 30.3 | 106  | 14.1 | 30.4 | 98.8 | 12.7   | 30.7 |      |  |  |  |  |  |  |  |  |  |  |  |  |  |  |  |
| 40              | 50                     | 128                        | 17.2                         | 29.4 | 121  | 17.1 | 30.1 | 113  | 15.6   | 30.7 | 110  | 14.9 | 30.9 | 106  | 14.1 | 31.2 | 98.8 | 12.8   | 31.8 |      |  |  |  |  |  |  |  |  |  |  |  |  |  |  |  |
|                 | 60                     | 128                        | 17.0                         | 31.2 | 121  | 17.0 | 31.7 | 113  | 15.4   | 32.2 | 110  | 14.7 | 32.4 | 106  | 14.0 | 32.7 | 98.8 | 12.6   | 33.1 |      |  |  |  |  |  |  |  |  |  |  |  |  |  |  |  |
|                 | 96                     | 128                        | 16.5                         | 34.5 | 121  | 16.5 | 34.8 | 113  | 15.0   | 35.1 | 110  | 14.3 | 35.3 | 106  | 13.6 | 35.4 | 98.8 | 12.3   | 35.7 |      |  |  |  |  |  |  |  |  |  |  |  |  |  |  |  |
| 45              | 50                     | 128                        | 16.4                         | 35.6 | 121  | 16.3 | 35.8 | 113  | 14.9   | 36.1 | 110  | 14.2 | 36.2 | 106  | 13.5 | 36.3 | 98.8 | 12.2   | 36.6 |      |  |  |  |  |  |  |  |  |  |  |  |  |  |  |  |
|                 | 60                     | 128                        | 16.8                         | 34.4 | 121  | 16.5 | 35.0 | 113  | 15.1   | 35.6 | 110  | 14.4 | 35.9 | 106  | 13.7 | 36.2 | 98.8 | 12.4   | 36.7 |      |  |  |  |  |  |  |  |  |  |  |  |  |  |  |  |
|                 | 96                     | 128                        | 16.6                         | 36.1 | 121  | 16.4 | 36.7 | 113  | 14.9   | 37.2 | 110  | 14.3 | 37.4 | 106  | 13.6 | 37.6 | 98.8 | 12.3   | 38.1 |      |  |  |  |  |  |  |  |  |  |  |  |  |  |  |  |
| 110             | 10                     | 50                         | 48.8                         | 9.47 | 6.24 | 49.8 | 9.03 | 6.11 | 50.5   | 8.71 | 6.00 | 50.8 | 8.60 | 5.96 | 51.1 | 8.51 | 5.93 | 51.5   | 8.44 | 5.89 |  |  |  |  |  |  |  |  |  |  |  |  |  |  |  |
|                 |                        | 60                         | 58.0                         | 10.3 | 6.21 | 58.5 | 10.2 | 6.15 | 58.9   | 10.1 | 6.11 | 59.0 | 10.1 | 6.10 | 59.1 | 10.1 | 6.10 | 59.1   | 10.3 | 6.11 |  |  |  |  |  |  |  |  |  |  |  |  |  |  |  |
|                 |                        | 96                         | 76.8                         | 14.1 | 6.88 | 76.7 | 14.3 | 6.90 | 76.4   | 14.7 | 6.93 | 76.2 | 14.9 | 6.95 | 76.0 | 15.2 | 6.97 | 75.4   | 15.7 | 7.03 |  |  |  |  |  |  |  |  |  |  |  |  |  |  |  |
|                 | 15                     | 50                         | 80.3                         | 14.7 | 8.73 | 80.1 | 15.0 | 8.78 | 79.7   | 15.4 | 8.86 | 79.5 | 15.7 | 8.91 | 79.2 | 15.9 | 8.96 | 78.6   | 16.5 | 9.07 |  |  |  |  |  |  |  |  |  |  |  |  |  |  |  |
|                 |                        | 60                         | 82.4                         | 14.9 | 9.62 | 82.1 | 15.2 | 9.67 | 81.7   | 15.7 | 9.74 | 81.4 | 15.9 | 9.78 | 81.1 | 16.2 | 9.83 | 80.4   | 16.8 | 9.93 |  |  |  |  |  |  |  |  |  |  |  |  |  |  |  |
|                 |                        | 96                         | 87.9                         | 15.3 | 11.4 | 87.4 | 15.7 | 11.4 | 86.9   | 16.2 | 11.5 | 86.5 | 16.5 | 11.5 | 86.2 | 16.8 | 11.5 | 85.4   | 17.4 | 11.6 |  |  |  |  |  |  |  |  |  |  |  |  |  |  |  |
|                 | 20                     | 50                         | 94.9                         | 16.0 | 12.5 | 94.3 | 16.5 | 12.6 | 93.6   | 17.0 | 12.7 | 93.2 | 17.3 | 12.7 | 92.8 | 17.6 | 12.8 | 90.6   | 17.7 | 13.0 |  |  |  |  |  |  |  |  |  |  |  |  |  |  |  |
|                 |                        | 60                         | 95.6                         | 16.1 | 13.7 | 94.9 | 16.6 | 13.8 | 94.2   | 17.1 | 13.9 | 93.8 | 17.4 | 13.9 | 93.4 | 17.7 | 14.0 | 90.6   | 17.5 | 14.2 |  |  |  |  |  |  |  |  |  |  |  |  |  |  |  |
|                 |                        | 96                         | 97.2                         | 16.2 | 16.0 | 96.5 | 16.7 | 16.0 | 95.8   | 17.3 | 16.1 | 95.3 | 17.6 | 16.1 | 94.9 | 17.9 | 16.2 | 90.6   | 17.0 | 16.3 |  |  |  |  |  |  |  |  |  |  |  |  |  |  |  |
|                 | 25                     | 50                         | 104                          | 16.9 | 16.7 | 103  | 17.5 | 16.8 | 102    | 18.1 | 16.9 | 101  | 17.8 | 17.1 | 97.3 | 16.9 | 17.3 | 90.6   | 15.1 | 17.8 |  |  |  |  |  |  |  |  |  |  |  |  |  |  |  |
|                 |                        | 60                         | 105                          | 17.0 | 18.0 | 104  | 17.5 | 18.1 | 103    | 18.1 | 18.2 | 101  | 17.6 | 18.4 | 97.3 | 16.7 | 18.6 | 90.6   | 15.0 | 19.0 |  |  |  |  |  |  |  |  |  |  |  |  |  |  |  |
|                 |                        | 96                         | 106                          | 17.2 | 20.6 | 106  | 17.7 | 20.6 | 104    | 18.0 | 20.7 | 101  | 17.1 | 20.8 | 97.3 | 16.2 | 21.0 | 90.6   | 14.6 | 21.2 |  |  |  |  |  |  |  |  |  |  |  |  |  |  |  |
| 30              | 50                     | 113                        | 17.9                         | 20.9 | 111  | 17.8 | 21.1 | 104  | 16.2   | 21.6 | 101  | 15.4 | 21.9 | 97.3 | 14.6 | 22.1 | 90.6 | 13.2   | 22.6 |      |  |  |  |  |  |  |  |  |  |  |  |  |  |  |  |
|                 | 60                     | 114                        | 18.0                         | 22.4 | 111  | 17.6 | 22.6 | 104  | 16.0   | 23.0 | 101  | 15.2 | 23.2 | 97.3 | 14.5 | 23.4 | 90.6 | 13.0   | 23.8 |      |  |  |  |  |  |  |  |  |  |  |  |  |  |  |  |
|                 | 96                     | 116                        | 18.2                         | 25.1 | 111  | 17.1 | 25.3 | 104  | 15.6   | 25.6 | 101  | 14.8 | 25.7 | 97.3 | 14.1 | 25.9 | 90.6 | 12.7   | 26.1 |      |  |  |  |  |  |  |  |  |  |  |  |  |  |  |  |
| 35              | 50                     | 117                        | 17.1                         | 25.4 | 111  | 15.6 | 25.9 | 104  | 14.2   | 26.4 | 101  | 13.5 | 26.7 | 97.3 | 12.9 | 26.9 | 90.6 | 11.6   | 27.5 |      |  |  |  |  |  |  |  |  |  |  |  |  |  |  |  |
|                 | 60                     | 117                        | 16.9                         | 27.0 | 111  | 15.4 | 27.4 | 104  | 14.0   | 27.8 | 101  | 13.4 | 28.1 | 97.3 | 12.7 | 28.3 | 90.6 | 11.5   | 28.7 |      |  |  |  |  |  |  |  |  |  |  |  |  |  |  |  |
|                 | 96                     | 117                        | 16.4                         | 30.0 | 111  | 15.0 | 30.2 | 104  | 13.7   | 30.5 | 101  | 13.0 | 30.6 | 97.3 | 12.4 | 30.8 | 90.6 | 11.2   | 31.1 |      |  |  |  |  |  |  |  |  |  |  |  |  |  |  |  |
| 40              | 50                     | 117                        | 16.2                         | 31.0 | 111  | 14.9 | 31.2 | 104  | 13.5</ |      |      |      |      |      |      |      |      |  |      |      |  |  |  |  |  |  |  |  |  |  |  |  |  |  |  |

# 4 Capacity tables

## 4 - 3 Heating capacity tables

| RWEYQ30PY1      |                        |                            | TC: Total Capacity: kW ; PI: Power Input: kW (compressor + outdoor fan motor) ; OWT: Outlet Water Temperatur: °C |      |       |      |      |      |      |      |      |      |      |      |      |      |      |      |      |      |  |  |  |  |  |  |
|-----------------|------------------------|----------------------------|--|------|-------|------|------|------|------|------|------|------|------|------|------|------|------|------|------|------|--|--|--|--|--|--|
| Combination (%) | Inlet Water Temp. (°C) | Water Volume (note2) L/min | Indoor air temperature: °CWB   |      |       |      |      |      |      |      |      |      |      |      |      |      |      |      |      |      |  |  |  |  |  |  |
|                 |                        |                            | 16.0   |      |       | 18.0 |      |      | 20.0 |      |      | 21.0 |      |      | 22.0 |      |      | 24.0 |      |      |  |  |  |  |  |  |
|                 |                        |                            | TC   | PI   | OWT   | TC   | PI   | OWT  | TC   | PI   | OWT  | TC   | PI   | OWT  | TC   | PI   | OWT  | TC   | PI   | OWT  |  |  |  |  |  |  |
| 100             | 10                     | 50                         | 50.2   | 8.8  | 6.04  | 50.8 | 8.6  | 5.96 | 51.3 | 8.5  | 5.91 | 51.4 | 8.4  | 5.89 | 51.5 | 8.4  | 5.88 | 51.6 | 8.5  | 5.88 |  |  |  |  |  |  |
|                 |                        | 60                         | 58.8   | 10.1 | 6.12  | 59.0 | 10.1 | 6.10 | 59.1 | 10.2 | 6.10 | 59.1 | 10.3 | 6.11 | 59.1 | 10.3 | 6.12 | 58.9 | 10.6 | 6.16 |  |  |  |  |  |  |
|                 |                        | 96                         | 76.5   | 14.5 | 6.92  | 76.2 | 14.9 | 6.95 | 75.7 | 15.4 | 7.00 | 75.5 | 15.6 | 7.02 | 75.2 | 15.9 | 7.05 | 74.5 | 16.5 | 7.11 |  |  |  |  |  |  |
|                 | 15                     | 50                         | 79.9   | 15.3 | 8.83  | 79.5 | 15.7 | 8.91 | 78.9 | 16.2 | 9.00 | 78.6 | 16.5 | 9.06 | 78.3 | 16.7 | 9.12 | 77.6 | 17.4 | 9.25 |  |  |  |  |  |  |
|                 |                        | 60                         | 81.9   | 15.5 | 9.71  | 81.4 | 15.9 | 9.78 | 80.9 | 16.4 | 9.87 | 80.5 | 16.7 | 9.92 | 80.2 | 17.0 | 10.0 | 79.4 | 17.6 | 10.1 |  |  |  |  |  |  |
|                 |                        | 96                         | 87.1   | 16.0 | 11.5  | 86.5 | 16.5 | 11.5 | 85.9 | 17.1 | 11.6 | 85.5 | 17.4 | 11.6 | 85.1 | 17.7 | 11.6 | 82.4 | 17.4 | 11.8 |  |  |  |  |  |  |
|                 | 20                     | 50                         | 93.9   | 16.8 | 12.6  | 93.2 | 17.3 | 12.7 | 92.4 | 17.9 | 12.9 | 91.5 | 18.0 | 13.0 | 88.4 | 17.0 | 13.2 | 82.4 | 15.3 | 13.6 |  |  |  |  |  |  |
|                 |                        | 60                         | 94.5   | 16.9 | 13.8  | 93.8 | 17.4 | 13.9 | 93.0 | 18.0 | 14.0 | 91.5 | 17.8 | 14.1 | 88.4 | 16.8 | 14.3 | 82.4 | 15.1 | 14.6 |  |  |  |  |  |  |
|                 |                        | 96                         | 96.1   | 17.0 | 16.1  | 95.3 | 17.6 | 16.1 | 94.5 | 18.2 | 16.2 | 91.5 | 17.3 | 16.3 | 88.4 | 16.4 | 16.4 | 82.4 | 14.7 | 16.6 |  |  |  |  |  |  |
|                 | 25                     | 50                         | 103  | 17.8 | 16.9  | 101  | 17.8 | 17.1 | 94.5 | 16.1 | 17.5 | 91.5 | 15.4 | 17.7 | 88.4 | 14.6 | 17.9 | 82.4 | 13.1 | 18.4 |  |  |  |  |  |  |
|                 |                        | 60                         | 103  | 17.9 | 18.2  | 101  | 17.6 | 18.4 | 94.5 | 16.0 | 18.7 | 91.5 | 15.2 | 18.9 | 88.4 | 14.4 | 19.1 | 82.4 | 13.0 | 19.5 |  |  |  |  |  |  |
|                 |                        | 96                         | 105  | 18.1 | 20.7  | 101  | 17.1 | 20.8 | 94.5 | 15.5 | 21.1 | 91.5 | 14.8 | 21.2 | 88.4 | 14.1 | 21.3 | 82.4 | 12.7 | 21.5 |  |  |  |  |  |  |
| 30              | 50                     | 107                        | 16.8   | 21.4 | 101   | 15.4 | 21.9 | 94.5 | 14.0 | 22.3 | 91.5 | 13.4 | 22.5 | 88.4 | 12.7 | 22.8 | 82.4 | 11.5 | 23.2 |      |  |  |  |  |  |  |
|                 | 60                     | 107                        | 16.7   | 22.8 | 101   | 15.2 | 23.2 | 94.5 | 13.9 | 23.6 | 91.5 | 13.2 | 23.8 | 88.4 | 12.6 | 24.0 | 82.4 | 11.4 | 24.3 |      |  |  |  |  |  |  |
|                 | 96                     | 107                        | 16.2   | 25.5 | 101   | 14.8 | 25.7 | 94.5 | 13.5 | 26.0 | 91.5 | 12.9 | 26.1 | 88.4 | 12.3 | 26.2 | 82.4 | 11.1 | 26.5 |      |  |  |  |  |  |  |
| 35              | 50                     | 107                        | 14.7   | 26.2 | 101   | 13.5 | 26.7 | 94.5 | 12.3 | 27.2 | 91.5 | 11.8 | 27.4 | 88.4 | 11.2 | 27.6 | 82.4 | 10.2 | 28.1 |      |  |  |  |  |  |  |
|                 | 60                     | 107                        | 14.6   | 27.7 | 101   | 13.4 | 28.1 | 94.5 | 12.2 | 28.4 | 91.5 | 11.7 | 28.6 | 88.4 | 11.1 | 28.8 | 82.4 | 10.1 | 29.2 |      |  |  |  |  |  |  |
|                 | 96                     | 107                        | 14.2   | 30.4 | 101   | 13.0 | 30.6 | 94.5 | 11.9 | 30.9 | 91.5 | 11.4 | 31.0 | 88.4 | 10.8 | 31.1 | 82.4 | 9.82 | 31.4 |      |  |  |  |  |  |  |
| 40              | 50                     | 107                        | 14.3   | 31.2 | 101   | 13.1 | 31.6 | 94.5 | 12.0 | 32.1 | 91.5 | 11.5 | 32.4 | 88.4 | 10.9 | 32.6 | 82.4 | 9.91 | 33.1 |      |  |  |  |  |  |  |
|                 | 60                     | 107                        | 14.1   | 32.6 | 101   | 13.0 | 33.0 | 94.5 | 11.9 | 33.4 | 91.5 | 11.3 | 33.6 | 88.4 | 10.8 | 33.8 | 82.4 | 9.81 | 34.2 |      |  |  |  |  |  |  |
|                 | 96                     | 107                        | 13.7   | 35.4 | 101   | 12.6 | 35.6 | 94.5 | 11.6 | 35.9 | 91.5 | 11.1 | 36.0 | 88.4 | 10.6 | 36.1 | 82.4 | 9.57 | 36.4 |      |  |  |  |  |  |  |
| 45              | 50                     | 107                        | 13.8   | 36.1 | 101   | 12.7 | 36.6 | 94.5 | 11.7 | 37.1 | 91.5 | 11.2 | 37.3 | 88.4 | 10.7 | 37.6 | 82.4 | 9.66 | 38.1 |      |  |  |  |  |  |  |
|                 | 60                     | 107                        | 13.7   | 37.6 | 101   | 12.6 | 38.0 | 94.5 | 11.6 | 38.4 | 91.5 | 11.1 | 38.6 | 88.4 | 10.6 | 38.8 | 82.4 | 9.57 | 39.2 |      |  |  |  |  |  |  |
|                 | 96                     | 107                        | 13.3   | 40.4 | 101   | 12.3 | 40.6 | 94.5 | 11.3 | 40.9 | 91.5 | 10.8 | 41.0 | 88.4 | 10.3 | 41.1 | 82.4 | 9.33 | 41.4 |      |  |  |  |  |  |  |
| 90              | 10                     | 50                         | 51.2   | 8.49 | 5.92  | 51.5 | 8.44 | 5.89 | 51.6 | 8.47 | 5.88 | 51.6 | 8.52 | 5.88 | 51.6 | 8.59 | 5.89 | 51.5 | 8.78 | 5.92 |  |  |  |  |  |  |
|                 |                        | 60                         | 59.1   | 10.1 | 6.10  | 59.1 | 10.3 | 6.11 | 59.0 | 10.5 | 6.14 | 58.9 | 10.6 | 6.16 | 58.7 | 10.8 | 6.18 | 58.4 | 11.1 | 6.24 |  |  |  |  |  |  |
|                 |                        | 96                         | 75.9   | 15.3 | 6.98  | 75.4 | 15.7 | 7.03 | 74.8 | 16.2 | 7.08 | 74.5 | 16.5 | 7.11 | 74.2 | 16.8 | 7.14 | 73.5 | 17.4 | 7.21 |  |  |  |  |  |  |
|                 | 15                     | 50                         | 79.1   | 16.1 | 8.98  | 78.6 | 16.5 | 9.08 | 77.9 | 17.1 | 9.19 | 77.6 | 17.4 | 9.25 | 77.2 | 17.7 | 9.31 | 74.1 | 17.0 | 9.55 |  |  |  |  |  |  |
|                 |                        | 60                         | 81.0   | 16.3 | 9.85  | 80.4 | 16.8 | 9.93 | 79.8 | 17.4 | 10.0 | 79.4 | 17.6 | 10.1 | 79.0 | 18.0 | 10.1 | 74.1 | 16.4 | 10.4 |  |  |  |  |  |  |
|                 |                        | 96                         | 86.0   | 16.9 | 11.6  | 85.4 | 17.5 | 11.6 | 84.6 | 18.0 | 11.7 | 82.3 | 17.3 | 11.8 | 79.6 | 16.5 | 11.9 | 74.1 | 14.8 | 12.0 |  |  |  |  |  |  |
|                 | 20                     | 50                         | 92.6   | 17.7 | 12.8  | 90.5 | 17.7 | 13.0 | 85.1 | 16.0 | 13.4 | 82.3 | 15.3 | 13.6 | 79.6 | 14.5 | 13.8 | 74.1 | 13.1 | 14.2 |  |  |  |  |  |  |
|                 |                        | 60                         | 93.2   | 17.8 | 14.0  | 90.5 | 17.5 | 14.2 | 85.1 | 15.9 | 14.5 | 82.3 | 15.1 | 14.6 | 79.6 | 14.4 | 14.8 | 74.1 | 12.9 | 15.1 |  |  |  |  |  |  |
|                 |                        | 96                         | 94.7   | 18.0 | 16.2  | 90.5 | 17.0 | 16.3 | 85.1 | 15.4 | 16.5 | 82.3 | 14.7 | 16.6 | 79.6 | 14.0 | 16.7 | 74.1 | 12.6 | 16.9 |  |  |  |  |  |  |
|                 | 25                     | 50                         | 96.0   | 16.5 | 17.4  | 90.5 | 15.1 | 17.8 | 85.1 | 13.8 | 18.2 | 82.3 | 13.1 | 18.4 | 79.6 | 12.5 | 18.6 | 74.1 | 11.3 | 19.0 |  |  |  |  |  |  |
|                 |                        | 60                         | 96.0   | 16.4 | 18.7  | 90.5 | 15.0 | 19.0 | 85.1 | 13.6 | 19.3 | 82.3 | 13.0 | 19.5 | 79.6 | 12.4 | 19.6 | 74.1 | 11.2 | 20.0 |  |  |  |  |  |  |
|                 |                        | 96                         | 96.0   | 15.9 | 21.0  | 90.5 | 14.6 | 21.2 | 85.1 | 13.3 | 21.4 | 82.3 | 12.6 | 21.5 | 79.6 | 12.0 | 21.6 | 74.1 | 10.9 | 21.9 |  |  |  |  |  |  |
| 30              | 50                     | 96.0                       | 15.8   | 21.8 | 90.5  | 14.4 | 22.0 | 85.1 | 13.2 | 22.1 | 82.3 | 12.5 | 22.2 | 79.6 | 11.9 | 22.3 | 74.1 | 10.8 | 22.5 |      |  |  |  |  |  |  |
|                 | 60                     | 96.0                       | 14.4   | 22.2 | 90.5  | 13.2 | 22.6 | 85.1 | 12.0 | 23.0 | 82.3 | 11.5 | 23.2 | 79.6 | 10.9 | 23.4 | 74.1 | 9.91 | 23.9 |      |  |  |  |  |  |  |
|                 | 96                     | 96.0                       | 14.2   | 23.5 | 90.5  | 13.0 | 23.8 | 85.1 | 11.9 | 24.2 | 82.3 | 11.4 | 24.4 | 79.6 | 10.8 | 24.5 | 74.1 | 9.81 | 24.9 |      |  |  |  |  |  |  |
| 35              | 50                     | 96.0                       | 13.8   | 25.9 | 90.5  | 12.7 | 26.1 | 85.1 | 11.6 | 26.3 | 82.3 | 11.1 | 26.5 | 79.6 | 10.6 | 26.6 | 74.1 | 9.57 | 26.8 |      |  |  |  |  |  |  |
|                 | 60                     | 96.0                       | 13.7   | 26.7 | 90.5  | 12.6 | 26.9 | 85.1 | 11.5 | 27.1 | 82.3 | 11.0 | 27.2 | 79.6 | 10.5 | 27.2 | 74.1 | 9.50 | 27.4 |      |  |  |  |  |  |  |
|                 | 96                     | 96.0                       | 12.6   | 27.0 | 90.5  | 11.6 | 27.5 | 85.1 | 10.6 | 27.9 | 82.3 | 10.2 | 28.1 | 79.6 | 9.70 | 28.3 | 74.1 | 8.82 | 28.8 |      |  |  |  |  |  |  |
| 40              | 50                     | 96.0                       | 12.5   | 28.4 | 90.5  | 11.5 | 28.7 | 85.1 | 10.5 | 29.1 | 82.3 | 10.1 | 29.2 | 79.6 | 9.61 | 29.4 | 74.1 | 8.74 | 29.8 |      |  |  |  |  |  |  |
|                 | 60                     | 96.0                       | 12.2   | 30.8 | 90.5  | 11.2 | 31.1 | 85.1 | 10.3 | 31.3 | 82.3 | 9.81 | 31.4 | 79.6 | 9.37 | 31.5 | 74.1 | 8.53 | 31.7 |      |  |  |  |  |  |  |
|                 | 96                     | 96.0                       | 12.1   | 31.7 | 90.5  | 11.1 | 31.8 | 85.1 | 10.2 | 32.0 | 82.3 | 9.73 | 32.1 | 79.6 | 9.30 | 32.2 | 74.1 | 8.47 | 32.4 |      |  |  |  |  |  |  |
| 45              | 50                     | 96.0                       | 12.3   | 32.0 | 90.5  | 11.3 | 32.4 | 85.1 | 10.4 | 32.9 | 82.3 | 9.91 | 33.1 | 79.6 | 9.46 | 33.3 | 74.1 | 8.60 | 33.7 |      |  |  |  |  |  |  |
|                 | 60                     | 96.0                       | 12.1   | 33.3 | 90.5  | 11.2 | 33.7 | 85.1 | 10.3 | 34.0 | 82.3 | 9.81 | 34.2 | 79.6 | 9.37 | 34.4 | 74.1 | 8.52 | 34.8 |      |  |  |  |  |  |  |
|                 | 96                     | 96.0                       | 11.8   | 35.8 | 90.5  | 10.9 | 36.0 | 85.1 | 10.0 | 36.3 | 82.3 | 9.57 | 36.4 | 79.6 | 9.14 | 36.5 | 74.1 | 8.32 | 36.7 |      |  |  |  |  |  |  |
| 80              | 10                     | 50                         | 96.0   | 11.7 | 36.6  | 90.5 | 10.8 | 36.8 | 85.1 | 9.92 | 37.0 | 82.3 | 9.49 | 37.1 | 79.6 | 9.07 | 37.2 | 74.1 | 8.25 | 37.4 |  |  |  |  |  |  |
|                 |                        | 60                         | 96.0   | 11.9 | 37.0  | 90.5 | 11.0 | 37.4 | 85.1 | 10.1 | 37.8 | 82.3 | 9.66 | 38.1 | 79.6 | 9.27 | 38.3 | 74.1 | 8.39 | 38.7 |  |  |  |  |  |  |
|                 |                        | 96                         | 96.0   | 11.8 | 38.3  | 90.5 | 10.9 | 38.7 | 85.1 | 10.0 | 39.0 | 82.3 | 9.56 | 39.2 | 79.6 | 9.13 | 39.4 | 74.1 | 8.31 | 39.8 |  |  |  |  |  |  |
|                 | 15                     | 50                         | 96.0   | 11.5 | 40.8  | 90.5 | 10.6 | 41.0 | 85.1 | 9.75 | 41.3 | 82.3 | 9.33 | 41.4 | 79.6 | 8.91 | 41.5 | 74.1 | 8.11 | 41.7 |  |  |  |  |  |  |
|                 |                        | 60                         | 96.0   | 10.5 | 41.6  | 90.5 | 10.5 | 41.8 | 85.1 | 9.67 | 42.0 | 82.3 | 9.25 | 42.1 | 79.6 | 8.84 | 42.2 | 74.1 | 8.05 | 42.4 |  |  |  |  |  |  |
|                 |                        | 96                         | 96.0   | 10.5 | 41.6  | 90.5 | 10.5 | 41.8 | 85.1 | 9.67 | 42.0 | 82.3 | 9.25 | 42.1 | 79.6 | 8.84 | 42.2 | 74.1 | 8.05 | 42.4 |  |  |  |  |  |  |
|                 | 20                     | 50                         | 51.6   | 8.47 | 5.88  | 51.6 | 8.56 | 5.88 | 51.6 | 8.72 | 5.91 | 51.5 | 8.83 | 5.92 | 51.4 | 8.95 | 5.95 | 51.1 | 9.24 | 6.00 |  |  |  |  |  |  |
|                 |                        | 60                         | 59.0   | 10.5 | 6.14  | 58.8 | 10.7 | 6.17 | 58.5 | 11.0 | 6.22 | 58.3 | 11.2 | 6.25 | 58.1 | 11.4 | 6.28 | 57.6 | 11.8 | 6.35 |  |  |  |  |  |  |
|                 |                        | 96                         | 74.9   | 16.2 | 7.08  | 74.3 | 16.7 | 7.13 | 73.7 | 17.2 | 7.19 | 73.2 | 17.4 | 7.23 | 70.7 | 16.5 | 7.30 | 65.9 | 14.8 | 7.46 |  |  |  |  |  |  |
|                 | 25                     | 50                         | 78.0   | 17.1 | 9.18  | 77.3 | 17.6 | 9.29 | 75.6 | 17.6 | 9.45 | 73.2 | 16.7 | 9.60 | 70.7 | 15.9 | 9.76 | 65.9 | 14.2 | 10.1 |  |  |  |  |  |  |
|                 |                        | 60                         | 79.8   | 17.3 | 10.02 | 79.2 | 17.9 | 10.1 | 75.6 | 16.9 | 10.3 | 73.2 | 16.0 | 10.5 | 70.7 | 15.2 | 10.6 | 65.9 | 13.7 | 10.8 |  |  |  |  |  |  |
|                 |                        | 96                         | 84.7   | 18.0 | 11.7  | 80.5 | 16.7 | 11.8 | 75.6 | 15.2 | 12.0 | 73.2 | 14.5 | 12.1 | 70.7 | 13.8 | 12.2 | 65.9 | 12.4 | 12.3 |  |  |  |  |  |  |
| 30              | 50                     | 85.3                       | 16.1   | 13.4 | 80.5  | 14.7 | 13.7 | 75.6 | 13.4 | 14.1 | 73.2 | 12.8 | 14.2 | 70.7 | 12.2 | 14.4 | 65.9 | 11.0 | 14.8 |      |  |  |  |  |  |  |
|                 | 60                     | 85.3                       | 15.9   | 14.5 | 80.5  | 14.6 | 14.8 | 75.6 | 13.3 | 15.0 | 73.2 | 12.7 | 15.2 | 70.7 | 12.1 | 15.3 | 65.9 | 10.9 | 15.6 |      |  |  |  |  |  |  |
|                 | 96                     | 85.3                       | 15.5   | 16.5 | 80.5  | 14.2 | 16.7 | 75.6 | 12.9 | 16.9 | 73.2 | 12.3 | 17.0 | 70.7 | 11.8 | 17.1 | 65.9 | 10.6 | 17.3 |      |  |  |  |  |  |  |
| 35              | 50                     | 85.3                       | 15.4   | 17.2 | 80.5  | 14.1 | 17.4 | 75.6 | 12.8 | 12.5 | 73.2 | 12.2 | 17.6 | 70.7 | 11.7 | 17.6 | 65.9 | 10.5 | 17.8 |      |  |  |  |  |  |  |
|                 | 60                     | 85.3                       | 13.8   | 18.2 | 80.5  | 12.7 | 18.5 | 75.6 | 11.6 | 18.9 | 73.2 | 11.1 | 19.1 | 70.7 | 10.6 | 19.3 | 65.9 | 9.58 | 19.6 |      |  |  |  |  |  |  |
|                 | 96                     | 85.3                       | 13.7   | 19.3 | 80.5  | 12.6 | 19.6 | 75.6 | 11.5 | 19.9 | 73.2 |      |      |      |      |      |      |      |      |      |  |  |  |  |  |  |



# 4 Capacity tables

## 4 - 3 Heating capacity tables

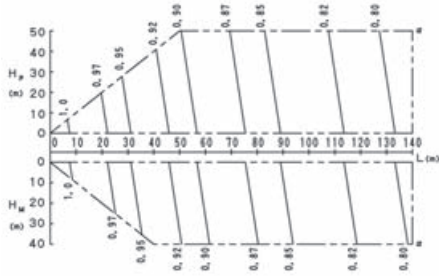
| RWEYQ30PY1      |                        |                            | TC: Total Capacity: kW ; PI: Power Input: kW (compressor + outdoor fan motor) ; OWT: Outlet Water Temperatur: °C |      |      |      |      |      |      |      |       |      |       |      |      |       |      |      |      |      |  |  |  |  |  |  |
|-----------------|------------------------|----------------------------|--|------|------|------|------|------|------|------|-------|------|-------|------|------|-------|------|------|------|------|--|--|--|--|--|--|
| Combination (%) | Inlet Water Temp. (°C) | Water Volume (note2) L/min | Indoor air temperature: °CWB   |      |      |      |      |      |      |      |       |      |       |      |      |       |      |      |      |      |  |  |  |  |  |  |
|                 |                        |                            | 16.0   |      |      | 18.0 |      |      | 20.0 |      |       | 21.0 |       |      | 22.0 |       |      | 24.0 |      |      |  |  |  |  |  |  |
|                 |                        |                            | TC   | PI   | OWT  | TC   | PI   | OWT  | TC   | PI   | OWT   | TC   | PI    | OWT  | TC   | PI    | OWT  | TC   | PI   | OWT  |  |  |  |  |  |  |
| 70              | 10                     | 50                         | 51.5   | 8.76 | 5.91 | 51.4 | 8.97 | 5.95 | 51.1 | 9.22 | 6.00  | 51.0 | 9.36  | 6.03 | 50.8 | 9.52  | 6.06 | 50.4 | 9.88 | 6.13 |  |  |  |  |  |  |
|                 |                        | 60                         | 58.4   | 11.1 | 6.23 | 58.1 | 11.4 | 6.28 | 57.7 | 11.8 | 6.35  | 57.4 | 12.0  | 6.38 | 57.2 | 12.2  | 6.42 | 56.6 | 12.7 | 6.50 |  |  |  |  |  |  |
|                 |                        | 96                         | 73.6   | 17.4 | 7.20 | 70.4 | 16.4 | 7.31 | 66.2 | 14.9 | 7.45  | 64.0 | 14.2  | 7.52 | 61.9 | 13.5  | 7.59 | 57.6 | 12.2 | 7.74 |  |  |  |  |  |  |
|                 | 15                     | 50                         | 74.7   | 17.2 | 9.51 | 70.4 | 15.7 | 9.78 | 66.2 | 14.3 | 10.05 | 64.0 | 13.6  | 10.2 | 61.9 | 13.0  | 10.3 | 57.6 | 11.7 | 10.6 |  |  |  |  |  |  |
|                 |                        | 60                         | 74.7   | 16.5 | 10.4 | 70.4 | 15.1 | 10.6 | 66.2 | 13.8 | 10.8  | 64.0 | 13.1  | 10.9 | 61.9 | 12.5  | 11.1 | 57.6 | 11.3 | 11.3 |  |  |  |  |  |  |
|                 |                        | 96                         | 74.7   | 14.9 | 12.0 | 70.4 | 13.7 | 12.2 | 66.2 | 12.5 | 12.3  | 64.0 | 11.9  | 12.4 | 61.9 | 11.3  | 12.5 | 57.6 | 10.3 | 12.6 |  |  |  |  |  |  |
|                 | 20                     | 50                         | 74.7   | 14.4 | 12.6 | 70.4 | 13.2 | 12.7 | 66.2 | 12.1 | 12.8  | 64.0 | 11.5  | 12.9 | 61.9 | 11.0  | 13.0 | 57.6 | 10.0 | 13.1 |  |  |  |  |  |  |
|                 |                        | 60                         | 74.7   | 13.2 | 14.1 | 70.4 | 12.1 | 14.4 | 66.2 | 11.1 | 14.7  | 64.0 | 10.6  | 14.9 | 61.9 | 10.1  | 15.1 | 57.6 | 9.17 | 15.4 |  |  |  |  |  |  |
|                 |                        | 96                         | 74.7   | 13.1 | 15.1 | 70.4 | 12.0 | 15.3 | 66.2 | 11.0 | 15.6  | 64.0 | 10.5  | 15.7 | 61.9 | 10.0  | 15.9 | 57.6 | 9.08 | 16.1 |  |  |  |  |  |  |
|                 | 25                     | 50                         | 74.7   | 12.7 | 16.9 | 70.4 | 11.7 | 17.1 | 66.2 | 10.7 | 17.2  | 64.0 | 10.2  | 17.3 | 61.9 | 9.75  | 17.4 | 57.6 | 8.86 | 17.6 |  |  |  |  |  |  |
|                 |                        | 60                         | 74.7   | 12.6 | 17.5 | 70.4 | 11.6 | 17.7 | 66.2 | 10.6 | 17.8  | 64.0 | 10.1  | 17.9 | 61.9 | 9.67  | 17.9 | 57.6 | 8.79 | 18.1 |  |  |  |  |  |  |
|                 |                        | 96                         | 74.7   | 11.4 | 19.0 | 70.4 | 10.5 | 19.3 | 66.2 | 9.64 | 19.6  | 64.0 | 9.22  | 19.8 | 61.9 | 8.82  | 19.9 | 57.6 | 8.04 | 20.3 |  |  |  |  |  |  |
| 30              | 50                     | 74.7                       | 11.3   | 20.0 | 70.4 | 10.4 | 20.2 | 66.2 | 9.54 | 20.5 | 64.0  | 9.13 | 20.6  | 61.9 | 8.73 | 20.8  | 57.6 | 7.96 | 21.0 |      |  |  |  |  |  |  |
|                 | 60                     | 74.7                       | 11.0   | 21.8 | 70.4 | 10.1 | 22.0 | 66.2 | 9.31 | 22.2 | 64.0  | 8.91 | 22.3  | 61.9 | 8.53 | 22.3  | 57.6 | 7.78 | 22.5 |      |  |  |  |  |  |  |
|                 | 96                     | 74.7                       | 10.9   | 22.5 | 70.4 | 10.1 | 22.6 | 66.2 | 9.24 | 22.7 | 64.0  | 8.84 | 22.8  | 61.9 | 8.46 | 22.9  | 57.6 | 7.72 | 23.0 |      |  |  |  |  |  |  |
| 35              | 50                     | 74.7                       | 10.0   | 23.8 | 70.4 | 9.24 | 24.2 | 66.2 | 8.51 | 24.5 | 64.0  | 8.16 | 24.7  | 61.9 | 7.82 | 24.8  | 57.6 | 7.15 | 25.2 |      |  |  |  |  |  |  |
|                 | 60                     | 74.7                       | 9.91   | 24.8 | 70.4 | 9.15 | 25.1 | 66.2 | 8.43 | 25.4 | 64.0  | 8.08 | 25.5  | 61.9 | 7.74 | 25.7  | 57.6 | 7.09 | 26.0 |      |  |  |  |  |  |  |
|                 | 96                     | 74.7                       | 9.66   | 26.8 | 70.4 | 8.93 | 26.9 | 66.2 | 8.24 | 27.1 | 64.0  | 7.90 | 27.2  | 61.9 | 7.57 | 27.3  | 57.6 | 6.93 | 27.5 |      |  |  |  |  |  |  |
| 40              | 50                     | 74.7                       | 9.59   | 27.4 | 70.4 | 8.86 | 27.6 | 66.2 | 8.17 | 27.7 | 64.0  | 7.84 | 27.8  | 61.9 | 7.51 | 27.8  | 57.6 | 6.88 | 28.0 |      |  |  |  |  |  |  |
|                 | 60                     | 74.7                       | 8.90   | 28.7 | 70.4 | 8.25 | 29.1 | 66.2 | 7.62 | 29.4 | 64.0  | 7.32 | 29.6  | 61.9 | 7.02 | 29.8  | 57.6 | 6.45 | 30.1 |      |  |  |  |  |  |  |
|                 | 96                     | 74.7                       | 8.82   | 29.8 | 70.4 | 8.17 | 30.0 | 66.2 | 7.55 | 30.3 | 64.0  | 7.25 | 30.5  | 61.9 | 6.96 | 30.6  | 57.6 | 6.40 | 30.9 |      |  |  |  |  |  |  |
| 45              | 50                     | 74.7                       | 8.61   | 31.7 | 70.4 | 7.98 | 31.9 | 66.2 | 7.38 | 32.1 | 64.0  | 7.09 | 32.2  | 61.9 | 6.81 | 32.3  | 57.6 | 6.26 | 32.4 |      |  |  |  |  |  |  |
|                 | 60                     | 74.7                       | 8.55   | 32.4 | 70.4 | 7.92 | 32.5 | 66.2 | 7.33 | 32.7 | 64.0  | 7.04 | 32.7  | 61.9 | 6.76 | 32.8  | 57.6 | 6.22 | 33.0 |      |  |  |  |  |  |  |
|                 | 96                     | 74.7                       | 8.68   | 33.7 | 70.4 | 8.04 | 34.0 | 66.2 | 7.43 | 34.4 | 64.0  | 7.13 | 34.6  | 61.9 | 6.85 | 34.7  | 57.6 | 6.29 | 35.1 |      |  |  |  |  |  |  |
| 60              | 10                     | 50                         | 74.7   | 8.60 | 34.7 | 70.4 | 7.97 | 35.0 | 66.2 | 7.36 | 35.3  | 64.0 | 7.07  | 35.5 | 61.9 | 6.79  | 35.6 | 57.6 | 6.24 | 35.9 |  |  |  |  |  |  |
|                 |                        | 60                         | 74.7   | 8.40 | 36.7 | 70.4 | 7.78 | 36.9 | 66.2 | 7.20 | 37.1  | 64.0 | 6.92  | 37.2 | 61.9 | 6.64  | 37.3 | 57.6 | 6.10 | 37.4 |  |  |  |  |  |  |
|                 |                        | 96                         | 74.7   | 8.33 | 37.4 | 70.4 | 7.73 | 37.5 | 66.2 | 7.15 | 37.7  | 64.0 | 6.87  | 37.7 | 61.9 | 6.59  | 37.8 | 57.6 | 6.06 | 37.9 |  |  |  |  |  |  |
|                 | 15                     | 50                         | 74.7   | 8.47 | 38.7 | 70.4 | 7.84 | 39.0 | 66.2 | 7.24 | 39.4  | 64.0 | 6.96  | 39.5 | 61.9 | 6.67  | 39.7 | 57.6 | 6.13 | 40.1 |  |  |  |  |  |  |
|                 |                        | 60                         | 74.7   | 8.39 | 39.7 | 70.4 | 7.77 | 40.0 | 66.2 | 7.18 | 40.3  | 64.0 | 6.89  | 40.5 | 61.9 | 6.62  | 40.6 | 57.6 | 6.08 | 40.9 |  |  |  |  |  |  |
|                 |                        | 96                         | 74.7   | 8.19 | 41.7 | 70.4 | 7.59 | 41.9 | 66.2 | 7.02 | 42.1  | 64.0 | 6.74  | 42.2 | 61.9 | 6.47  | 42.2 | 57.6 | 5.95 | 42.4 |  |  |  |  |  |  |
|                 | 20                     | 50                         | 74.7   | 8.12 | 42.4 | 70.4 | 7.53 | 42.5 | 66.2 | 6.97 | 42.6  | 64.0 | 6.69  | 42.7 | 61.9 | 6.43  | 42.8 | 57.6 | 5.91 | 42.9 |  |  |  |  |  |  |
|                 |                        | 60                         | 51.0   | 9.37 | 6.03 | 50.6 | 9.65 | 6.08 | 50.3 | 10.0 | 6.15  | 50.0 | 10.1  | 6.19 | 49.8 | 10.3  | 6.22 | 49.3 | 10.7 | 6.31 |  |  |  |  |  |  |
|                 |                        | 96                         | 64.0   | 14.2 | 7.52 | 60.3 | 13.0 | 7.64 | 56.7 | 11.9 | 7.77  | 54.9 | 11.3  | 7.83 | 53.1 | 10.8  | 7.90 | 49.4 | 9.77 | 8.03 |  |  |  |  |  |  |
|                 | 25                     | 50                         | 64.0   | 13.7 | 8.00 | 60.3 | 12.6 | 8.10 | 56.7 | 11.5 | 8.20  | 54.9 | 11.0  | 8.25 | 53.1 | 10.5  | 8.31 | 49.4 | 9.51 | 8.41 |  |  |  |  |  |  |
|                 |                        | 60                         | 64.0   | 13.6 | 10.2 | 60.3 | 12.5 | 10.4 | 56.7 | 11.4 | 10.7  | 54.9 | 10.91 | 10.8 | 53.1 | 10.41 | 10.9 | 49.4 | 9.44 | 11.2 |  |  |  |  |  |  |
|                 |                        | 96                         | 64.0   | 13.1 | 10.9 | 60.3 | 12.0 | 11.2 | 56.7 | 11.0 | 11.4  | 54.9 | 10.52 | 11.5 | 53.1 | 10.04 | 11.6 | 49.4 | 9.11 | 11.8 |  |  |  |  |  |  |
| 30              | 50                     | 64.0                       | 11.9   | 12.4 | 60.3 | 10.9 | 12.5 | 56.7 | 10.0 | 12.7 | 54.9  | 9.59 | 12.7  | 53.1 | 9.17 | 12.8  | 49.4 | 8.34 | 13.0 |      |  |  |  |  |  |  |
|                 | 60                     | 64.0                       | 11.5   | 12.9 | 60.3 | 10.6 | 13.0 | 56.7 | 9.73 | 13.1 | 54.9  | 9.31 | 13.2  | 53.1 | 8.90 | 13.2  | 49.4 | 8.11 | 13.4 |      |  |  |  |  |  |  |
|                 | 96                     | 64.0                       | 10.6   | 14.9 | 60.3 | 9.75 | 15.2 | 56.7 | 8.97 | 15.4 | 54.9  | 8.59 | 15.6  | 53.1 | 8.22 | 15.7  | 49.4 | 7.51 | 16.0 |      |  |  |  |  |  |  |
| 35              | 50                     | 64.0                       | 10.5   | 15.7 | 60.3 | 9.66 | 16.0 | 56.7 | 8.88 | 16.2 | 54.9  | 8.51 | 16.3  | 53.1 | 8.14 | 16.4  | 49.4 | 7.44 | 16.7 |      |  |  |  |  |  |  |
|                 | 60                     | 64.0                       | 10.2   | 17.3 | 60.3 | 9.42 | 17.5 | 56.7 | 8.67 | 17.6 | 54.9  | 8.31 | 17.7  | 53.1 | 7.95 | 17.8  | 49.4 | 7.27 | 17.9 |      |  |  |  |  |  |  |
|                 | 96                     | 64.0                       | 10.1   | 17.9 | 60.3 | 9.35 | 18.0 | 56.7 | 8.60 | 18.1 | 54.9  | 8.24 | 18.1  | 53.1 | 7.89 | 18.2  | 49.4 | 7.22 | 18.3 |      |  |  |  |  |  |  |
| 40              | 50                     | 64.0                       | 9.21   | 19.8 | 60.3 | 8.53 | 20.0 | 56.7 | 7.87 | 20.3 | 54.9  | 7.56 | 20.5  | 53.1 | 7.24 | 20.6  | 49.4 | 6.64 | 20.9 |      |  |  |  |  |  |  |
|                 | 60                     | 64.0                       | 9.13   | 20.6 | 60.3 | 8.45 | 20.9 | 56.7 | 7.80 | 21.1 | 54.9  | 7.48 | 21.2  | 53.1 | 7.18 | 21.3  | 49.4 | 6.58 | 21.6 |      |  |  |  |  |  |  |
|                 | 96                     | 64.0                       | 8.91   | 22.3 | 60.3 | 8.25 | 22.4 | 56.7 | 7.62 | 22.6 | 54.9  | 7.31 | 22.6  | 53.1 | 7.02 | 22.7  | 49.4 | 6.44 | 22.9 |      |  |  |  |  |  |  |
| 45              | 50                     | 64.0                       | 8.84   | 22.8 | 60.3 | 8.18 | 22.9 | 56.7 | 7.56 | 23.0 | 54.9  | 7.26 | 23.1  | 53.1 | 6.97 | 23.2  | 49.4 | 6.40 | 23.3 |      |  |  |  |  |  |  |
|                 | 60                     | 64.0                       | 8.15   | 24.7 | 60.3 | 7.57 | 25.0 | 56.7 | 7.01 | 25.3 | 54.9  | 6.74 | 25.4  | 53.1 | 6.47 | 25.5  | 49.4 | 5.96 | 25.8 |      |  |  |  |  |  |  |
|                 | 96                     | 64.0                       | 8.08   | 25.5 | 60.3 | 7.50 | 25.8 | 56.7 | 6.95 | 26.0 | 54.9  | 6.68 | 26.2  | 53.1 | 6.42 | 26.3  | 49.4 | 5.91 | 26.5 |      |  |  |  |  |  |  |
| 50              | 10                     | 50                         | 64.0   | 7.89 | 27.2 | 60.3 | 7.33 | 27.4 | 56.7 | 6.80 | 27.5  | 54.9 | 6.54  | 27.6 | 53.1 | 6.28  | 27.7 | 49.4 | 5.79 | 27.8 |  |  |  |  |  |  |
|                 |                        | 60                         | 64.0   | 7.83 | 27.8 | 60.3 | 7.28 | 27.9 | 56.7 | 6.75 | 28.0  | 54.9 | 6.49  | 28.1 | 53.1 | 6.24  | 28.1 | 49.4 | 5.76 | 28.3 |  |  |  |  |  |  |
|                 |                        | 96                         | 64.0   | 7.31 | 29.6 | 60.3 | 6.81 | 29.7 | 56.7 | 6.33 | 30.2  | 54.9 | 6.09  | 30.3 | 53.1 | 5.86  | 30.5 | 49.4 | 5.42 | 30.8 |  |  |  |  |  |  |
|                 | 15                     | 50                         | 64.0   | 7.25 | 30.5 | 60.3 | 6.75 | 30.7 | 56.7 | 6.27 | 31.0  | 54.9 | 6.04  | 31.1 | 53.1 | 5.82  | 31.2 | 49.4 | 5.38 | 31.5 |  |  |  |  |  |  |
|                 |                        | 60                         | 64.0   | 7.09 | 32.2 | 60.3 | 6.61 | 32.3 | 56.7 | 6.14 | 32.5  | 54.9 | 5.92  | 32.6 | 53.1 | 5.70  | 32.6 | 49.4 | 5.28 | 32.8 |  |  |  |  |  |  |
|                 |                        | 96                         | 64.0   | 7.04 | 32.7 | 60.3 | 6.56 | 32.9 | 56.7 | 6.10 | 33.0  | 54.9 | 5.88  | 33.1 | 53.1 | 5.66  | 33.1 | 49.4 | 5.24 | 33.2 |  |  |  |  |  |  |
|                 | 20                     | 50                         | 64.0   | 7.13 | 34.6 | 60.3 | 6.64 | 34.9 | 56.7 | 6.17 | 35.2  | 54.9 | 5.94  | 35.3 | 53.1 | 5.72  | 35.5 | 49.4 | 5.29 | 35.8 |  |  |  |  |  |  |
|                 |                        | 60                         | 64.0   | 7.07 | 35.5 | 60.3 | 6.58 | 35.7 | 56.7 | 6.12 | 36.0  | 54.9 | 5.89  | 36.1 | 53.1 | 5.67  | 36.2 | 49.4 | 5.25 | 36.5 |  |  |  |  |  |  |
|                 |                        | 96                         | 64.0   | 6.91 | 37.2 | 60.3 | 6.44 | 37.3 | 56.7 | 5.99 | 37.5  | 54.9 | 5.77  | 37.6 | 53.1 | 5.56  | 37.6 | 49.4 | 5.15 | 37.8 |  |  |  |  |  |  |
|                 | 25                     | 50                         | 64.0   | 6.86 | 37.7 | 60.3 | 6.40 | 37.9 | 56.7 | 5.95 | 38.0  | 54.9 | 5.73  | 38.0 | 53.1 | 5.52  | 38.1 | 49.4 | 5.11 | 38.2 |  |  |  |  |  |  |
|                 |                        | 60                         | 64.0   | 6.95 | 39.6 | 60.3 | 6.47 | 39.9 | 56.7 | 6.01 | 40.2  | 54.9 | 5.79  | 40.3 | 53.1 | 5.57  | 40.5 | 49.4 | 5.15 | 40.8 |  |  |  |  |  |  |
|                 |                        | 96                         | 64.0   | 6.89 | 40.5 | 60.3 | 6.42 | 40.7 | 56.7 | 5.96 | 41.0  | 54.9 | 5.74  | 41.1 | 53.1 | 5.53  | 41.2 | 49.4 | 5.12 | 41.5 |  |  |  |  |  |  |
| 30              | 50                     | 64.0                       | 6.74   | 42.2 | 60.3 | 6.28 | 42.3 | 56.7 | 5.84 | 42.5 | 54.9  | 5.63 | 42.5  | 53.1 | 5.42 | 42.6  | 49.4 | 5.02 | 42.8 |      |  |  |  |  |  |  |
|                 | 60                     | 64.0                       | 6.69   | 42.7 | 60.3 | 6.25 | 42.8 | 56.7 | 5.80 | 43.0 | 54.9  | 5.59 | 43.0  | 53.1 | 5.38 | 43.1  | 49.4 | 4.99 | 43.2 |      |  |  |  |  |  |  |
|                 | 96                     | 49.9                       | 10.3   | 6.22 | 49.5 | 10.6 | 6.29 | 47.3 | 10.0 | 6.44 | 45.7  | 9.53 | 6.54  | 44.2 | 9.05 | 6.64  | 41.2 | 8.14 | 6.84 |      |  |  |  |  |  |  |
| 35              | 50                     | 53.3                       | 11.7   | 6.69 | 50.3 | 10.7 | 6.85 | 47.3 | 9.76 | 7.01 | 45.7  | 9.30 | 7.10  | 44.2 | 8.85 | 7.18  | 41.2 | 7.97 | 7.36 |      |  |  |  |  |  |  |
|                 | 60                     | 53.3                       | 10.9   | 7.89 | 50.3 | 10.0 | 8.00 | 47.3 | 9.19 | 8.11 | 45.7  | 8.80 | 8.16  | 44.2 | 8.41 | 8.22  | 41.2 | 7.69 | 8.33 |      |  |  |  |  |  |  |
|                 | 96                     | 53.3                       | 10.6   | 8.30 | 50.3 | 9.74 | 8.39 |      |      |      |       |      |       |      |      |       |      |      |      |      |  |  |  |  |  |  |

# 4 Capacity tables

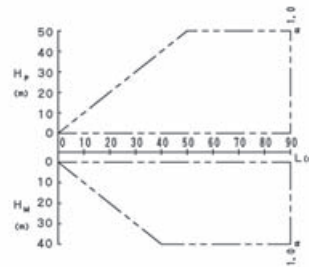
## 4 - 4 Capacity correction factor

### RWEYQ8P

• Correction ratio for cooling capacity



• Correction ratio for heating capacity



3D062332

### NOTES

1 These figures illustrate the rate of change in capacity for a standard indoor unit system at maximum load (with the thermostat set to maximum) under standard conditions. Moreover, under partial load conditions, there is only a minor deviation from the rate of change in capacity shown in the above figures.

2 With this outdoor unit, evaporating pressure constant control when cooling and condensing pressure constant control when heating is carried out.

3 Method of calculating A/C (cooling/heating) capacity:

The maximum A/C capacity of the system will be either the total A/C capacity of the indoor units obtained from capacity characteristic table or the maximum A/C capacity of the outside units as mentioned below, whichever smaller.

#### Calculating A/C capacity of outside units

• Condition: Indoor unit combination ratio does not exceed 100%

Maximum A/C capacity of outside units = A/C capacity of outside units obtained from capacity characteristic table at the 100% combination x capacity change rate due to piping length to the farthest indoor unit.

• Condition: Indoor unit combination ratio exceeds 100%

Maximum A/C capacity of outside units = A/C capacity of outside units obtained from capacity characteristic table at the combination x capacity change rate due to piping length to the farthest indoor unit.

4 When overall equivalent pipe length is 80m or more, the diameter of the main liquid pipes (outside unit-branch sections) must be increased.

Diameter of above case

| Model     | liquid pipe |
|-----------|-------------|
| RWEYQ8PY1 | ø12.7       |

5 Read cooling/heating capacity rate of change in the above figures based on the following equivalent length.

Overall equivalent piping length = Equivalent length of main pipe x Correction factor + Equivalent length after branching

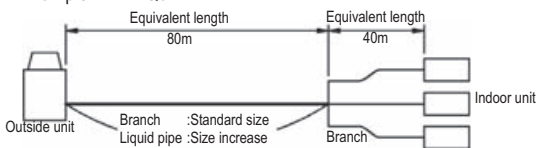
Choose a correction factor from the following table.

When cooling capacity is calculated: gas pipe size

When heating capacity is calculated: liquid pipe size.

| Rate of change (object piping) | Correction factor |               |
|--------------------------------|-------------------|---------------|
|                                | Standard size     | Size increase |
| Cooling (gas pipe)             | 1.0               |               |
| Heating (liquid pipe)          | 1.0               | 0.5           |

Example RWEYQ8PY1



In the above case

(Cooling) Overall equivalent length = 80m x 1.0 + 40m x 1.0 = 120m

(Heating) Overall equivalent length = 80m x 0.5 + 40m x 1.0 = 80m

The correction factor in:

cooling capacity when height difference = 0 is thus approximately 0.78

heating capacity when height difference = 0 is thus approximately 1.0

6 Explanation of symbols

$H_p$ : Level difference (m) between indoor and outside units where indoor unit in inferior position

$H_M$ : Level difference (m) between indoor and outside units where indoor unit in superior position

L: Equivalent pipe length (m)

$\alpha$ : Capacity correction factor

Diameter of pipe

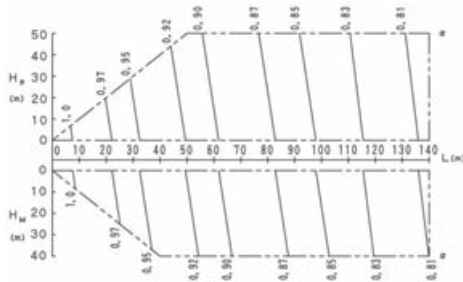
| Model     | liquid |
|-----------|--------|
| RWEYQ8PY1 | ø9.5   |

# 4 Capacity tables

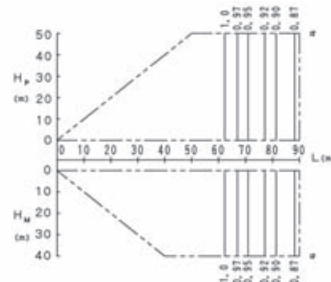
## 4 - 4 Capacity correction factor

### RWEYQ10,20P

• Correction ratio for cooling capacity



• Correction ratio for heating capacity



3D048283C

#### NOTES

- These figures illustrate the rate of change in capacity for a standard indoor unit system at maximum load (with the thermostat set to maximum) under standard conditions. Moreover, under partial load conditions, there is only a minor deviation from the rate of change in capacity shown in the above figures.
- With this outdoor unit, evaporating pressure constant control when cooling and condensing pressure constant control when heating is carried out.
- Method of calculating A/C (cooling/heating) capacity:  
The maximum A/C capacity of the system will be either the total A/C capacity of the indoor units obtained from capacity characteristic table or the maximum A/C capacity of the outside units as mentioned below, whichever smaller.

#### Calculating A/C capacity of outside units

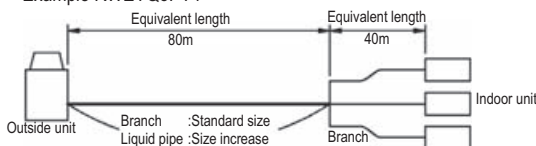
- Condition: Indoor unit combination ratio does not exceed 100%  
Maximum A/C capacity of outside units = A/C capacity of outside units obtained from capacity characteristic table at the 100% combination x capacity change rate due to piping length to the farthest indoor unit.
  - Condition: Indoor unit combination ratio exceeds 100%  
Maximum A/C capacity of outside units = A/C capacity of outside units obtained from capacity characteristic table at the combination x capacity change rate due to piping length to the farthest indoor unit.
- When overall equivalent pipe length is 80m or more, the diameter of the main liquid pipes (outside unit-branch sections) must be increased.  
Diameter of above case

| Model      | liquid pipe |
|------------|-------------|
| RWEYQ10PY1 | ø12.7       |
| RWEYQ20PY1 | ø19.1       |

- Read cooling/heating capacity rate of change in the above figures based on the following equivalent length.  
Overall equivalent piping length = Equivalent length of main pipe x Correction factor + Equivalent length after branching  
Choose a correction factor from the following table.  
When cooling capacity is calculated: gas pipe size  
When heating capacity is calculated: liquid pipe size.

| Rate of change (object piping) | Correction factor |               |
|--------------------------------|-------------------|---------------|
|                                | Standard size     | Size increase |
| Cooling (gas pipe)             | 1.0               | -             |
| Heating (liquid pipe)          | 1.0               | 0.5           |

#### Example RWEYQ8PY1



In the above case  
 (Cooling) Overall equivalent length = 80m x 1.0 + 40m x 1.0 = 120m  
 (Heating) Overall equivalent length = 80m x 0.5 + 40m x 1.0 = 80m  
 The correction factor in:  
 cooling capacity when height difference = 0 is thus approximately 0.78  
 heating capacity when height difference = 0 is thus approximately 1.0

- Explanation of symbols  
 H<sub>p</sub>: Level difference (m) between indoor and outside units where indoor unit in inferior position  
 H<sub>m</sub>: Level difference (m) between indoor and outside units where indoor unit in superior position  
 L: Equivalent pipe length (m)  
 α: Capacity correction factor

#### Diameter of pipe

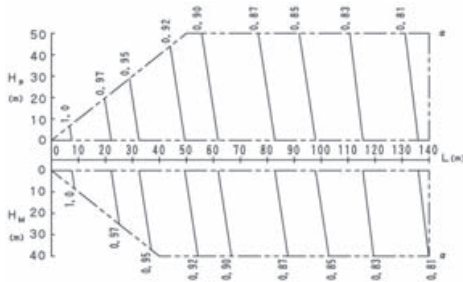
| Model      | liquid |
|------------|--------|
| RWEYQ10PY1 | ø9.5   |
| RWEYQ20PY1 | ø15.9  |

# 4 Capacity tables

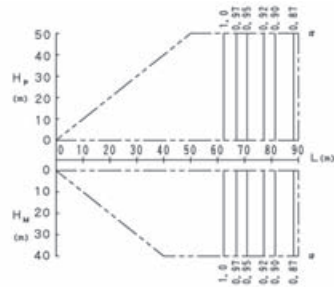
## 4 - 4 Capacity correction factor

### RWEYQ16,18,24,26,28,30P

• Correction ratio for cooling capacity



• Correction ratio for heating capacity



3D048284C

#### NOTES

1 These figures illustrate the rate of change in capacity for a standard indoor unit system at maximum load (with the thermostat set to maximum) under standard conditions. Moreover, under partial load conditions, there is only a minor deviation from the rate of change in capacity shown in the above figures.

2 With this outdoor unit, evaporating pressure constant control when cooling and condensing pressure constant control when heating is carried out.

3 Method of calculating A/C (cooling/heating) capacity:

The maximum A/C capacity of the system will be either the total A/C capacity of the indoor units obtained from capacity characteristic table or the maximum A/C capacity of the outside units as mentioned below, whichever smaller.

#### Calculating A/C capacity of outside units

• Condition: Indoor unit combination ratio does not exceed 100%

Maximum A/C capacity of outside units = A/C capacity of outside units obtained from capacity characteristic table at the 100% combination x capacity change rate due to piping length to the farthest indoor unit.

• Condition: Indoor unit combination ratio exceeds 100%

Maximum A/C capacity of outside units = A/C capacity of outside units obtained from capacity characteristic table at the combination x capacity change rate due to piping length to the farthest indoor unit.

4 When overall equivalent pipe length is 80m or more, the diameter of the main liquid pipes (outside unit-branch sections) must be increased.  
Diameter of above case

| Model            | liquid pipe |
|------------------|-------------|
| RWEYQ16PY1       | ø15.9       |
| RWEYQ18,24PY1    | ø19.1       |
| RWEYQ26,28,30PY1 | ø22.2       |

5 Read cooling/heating capacity rate of change in the above figures based on the following equivalent length.

Overall equivalent piping length = Equivalent length of main pipe x Correction factor + Equivalent length after branching

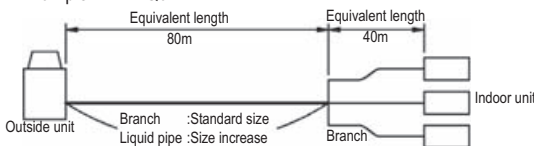
Choose a correction factor from the following table.

When cooling capacity is calculated: gas pipe size

When heating capacity is calculated: liquid pipe size.

| Rate of change<br>(object piping) | Correction factor |               |
|-----------------------------------|-------------------|---------------|
|                                   | Standard size     | Size increase |
| Cooling (gas pipe)                | 1.0               | -             |
| Heating (liquid pipe)             | 1.0               | 0.5           |

Example RWEYQ8PY1



In the above case

(Cooling) Overall equivalent length = 80m x 1.0 + 40m x 1.0 = 120m

(Heating) Overall equivalent length = 80m x 0.5 + 40m x 1.0 = 80m

The correction factor in:

cooling capacity when height difference = 0 is thus approximately 0.78

heating capacity when height difference = 0 is thus approximately 1.0

6 Explanation of symbols

H<sub>P</sub>: Level difference (m) between indoor and outside units where indoor unit in inferior position

H<sub>M</sub>: Level difference (m) between indoor and outside units where indoor unit in superior position

L: Equivalent pipe length (m)

α: Capacity correction factor

Diameter of pipe

| Model            | liquid |
|------------------|--------|
| RWEYQ16PY1       | ø12.7  |
| RWEYQ18,24PY1    | ø15.9  |
| RWEYQ26,28,30PY1 | ø19.1  |

# 5 Dimensional drawing & centre of gravity

## 5 - 1 Dimensional drawing

**RWEYQ8-10P**

4 - Ø17 Hole (Foundation bolt hole)

(Pitch of foundation bolt hole)

744

400 (Pitch of foundation bolt hole)

60

38 10 69 42 107 71 96 51 270

8 3 2 1 9

60 (After attaching accessories pipe)

780

1000

480

76 19 95 390 6

Manufacturer's label

550

390 6 (Plug) 19

Front view

Right side view

Rear view

| Nr | Name                        | Description  |
|----|-----------------------------|--|
| 1  | Liquid pipe                 | see note 2   |
| 2  | Suction gas pipe connection | see note 2   |
| 3  | HP/LP gas pipe              | see note 2   |
| 4  | Water inlet                 | PT 1 <sup>1</sup> / <sub>4</sub> B internal thread |
| 5  | Water outlet                | PT1 <sup>1</sup> / <sub>4</sub> B internal thread  |
| 6  | Drain outlet                | PS <sup>1</sup> / <sub>2</sub> B internal thread   |
| 7  | Earth terminal              | M5   |
| 8  | Power cord through hole     | Ø29  |
| 9  | Wiring through hole         | Ø29  |

**NOTE**

- Earth terminal is in the switch box.
- Piping size is as follows.

| Model name       | RWEYQ8PY1 |               | RWEYQ10PY1 |               |
|------------------|-----------|---------------|------------|---------------|
| Operation system | Heat pump | Heat recovery | Heat pump  | Heat recovery |
| Liquid pipe      | Ø9.5      | Ø9.5          | Ø9.5       | Ø9.5          |
| Suction gas pipe | Ø19.1     | Ø19.1         | Ø22.2      | Ø22.2         |
| HP/LP gas pipe   | Ø19.1     | Ø15.9         | Ø22.2      | Ø19.1         |

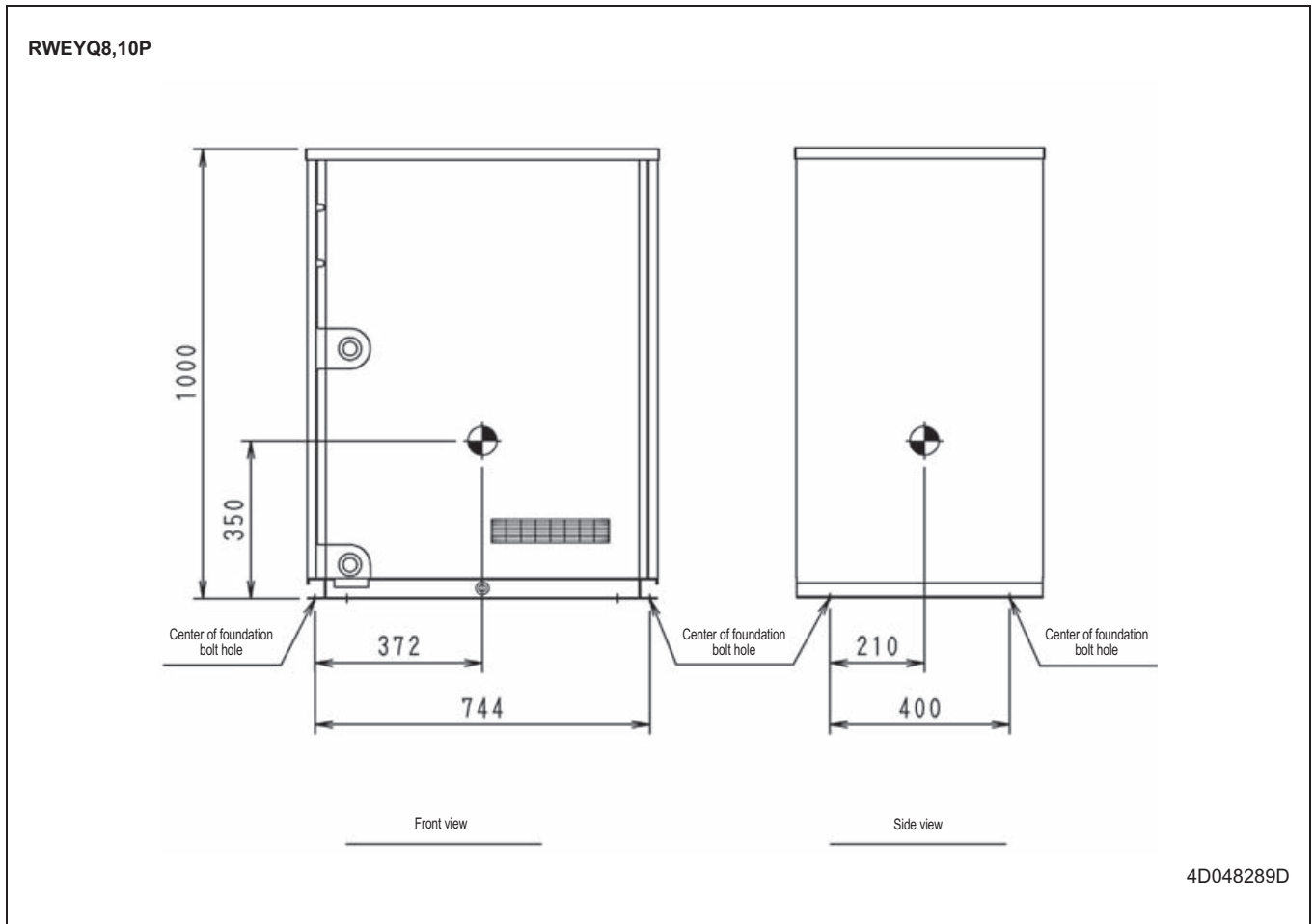
\*connection method Liquid Pipe: flare connection  
 Suction gas pipe } : brazing connection  
 HP/LP gas pipe }

\*In the case of heat pump system, suction gas pipe is not used

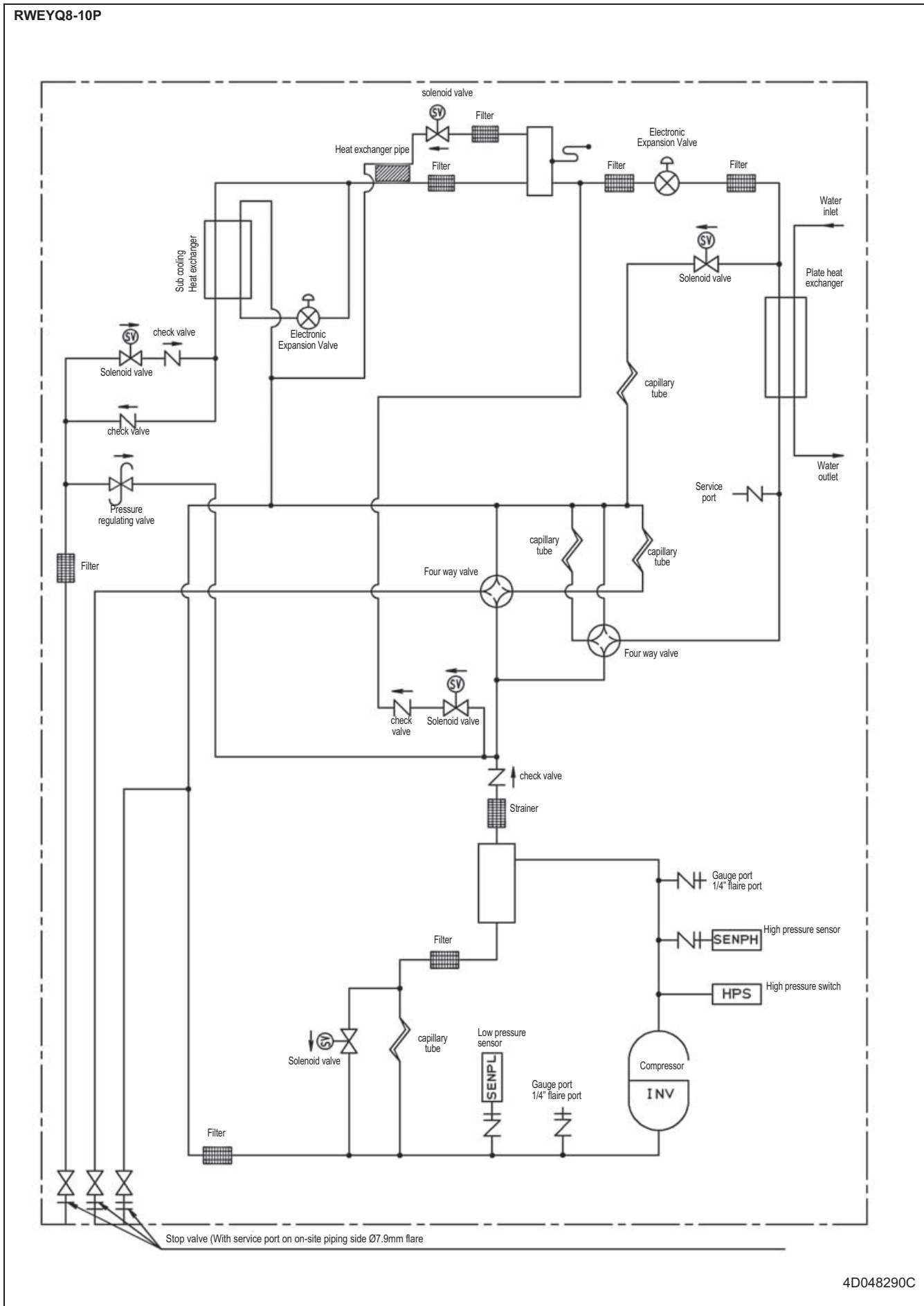
3D062150

## 5 Dimensional drawing & centre of gravity

### 5 - 2 Centre of gravity



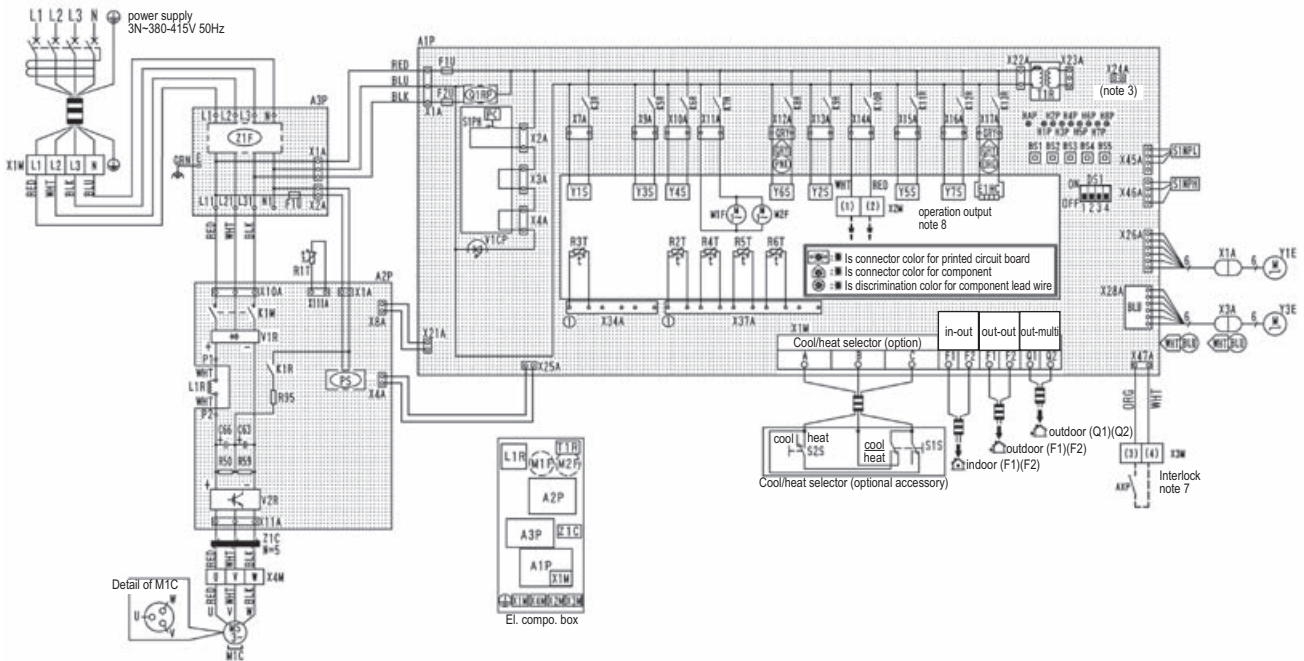
# 6 Piping diagram



# 7 Wiring diagram

## 7 - 1 Wiring diagram

RWEYQ8-10P



|          |   |          |                                 |     |   |
|----------|---|----------|---------------------------------|-----|---|
| A1P      | Printed circuit board (Main)  | K12R     | Magnetic relay (Y7S)(A1P)       | X1M | Terminal strip (Control)(A1P)                 |
| A2P      | Printed circuit board (INV)   | K13R     | Magnetic relay (E1HC)(A1P)      | X2M | Terminal strip (operation output)             |
| A3P      | Printed circuit board (Noise filter)  | L1R      | Reactor                         | X3M | Terminal strip (interlock)                    |
| BS1~5    | Push button switch (Mode, set, return, test, reset)   | M1C      | Motor (compressor)              | X4M | Terminal strip (M1C)                          |
| C63, C66 | Capacitor   | M1F, M2F | Motor (fan, inverter cooling)   | Y1E | Electronic expansion valve (main)             |
| DS1      | Dip switch  | PS       | Switching power supply          | Y3E | Electronic expansion valve (Sub cool)         |
| E1HC     | Crankcase heater  | R50, R59 | Resistor                        | Y1S | Solenoid valve (hot gas bypass)               |
| F1U, F2U | Fuse (250V, 5A, ⊕)(A3P)   | R95      | Resistor (current limiting)     | Y2S | Solenoid valve (oil recovery)                 |
| H1P~8P   | Pilotlamp (service monitor-green) (A1P)<br>[H2P] prepare, test ----- flickering<br>malfunction detection ----- light up | R1T      | Thermistor (Fin)(A2P)           | Y3S | Solenoid valve (receiver pressurization)      |
| HAP      | Pilotlamp (service monitor green) (A1P)   | R2T      | Thermistor (Suction)            | Y4S | Solenoid valve (receiver gas purge)           |
| K1M      | Magnetic contactor (M1C)(A2P)   | R3T      | Thermistor (M1C discharge)      | Y5S | Solenoid valve (4 way valve) (main)           |
| K1R      | Magnetic relay (A2P)  | R4T      | Thermistor (hex gas pipe)       | Y6S | Solenoid valve (liquid pipe)                  |
| K3R      | Magnetic relay (Y1S)(A1P)   | R5T      | Thermistor (sub cooling hex)    | Y7S | Solenoid valve (4 way valve) (heat exchanger) |
| K5R      | Magnetic relay (Y3S)(A1P)   | R6T      | Thermistor (Receiver liq. pipe) | Z1C | Noise filter (ferrite core)                   |
| K6R      | Magnetic relay (Y4S)(A1P)   | S1NPH    | Pressure sensor (High)          | Z1F | Noise filter (with surge absorber)            |
| K7R      | Magnetic relay (M1F, M2F)(A1P)  | S1NPL    | Pressure sensor (Low)           |     |   |
| K8R      | Magnetic relay (Y6S)(A1P)   | S1PH     | Pressure switch (High)          |     | COOL/HEAT SELECTOR                            |
| K9R      | Magnetic relay (Y2S)(A1P)   | T1R      | Transformer (220-240V/20V)      | S1S | Selector switch (fan/cool - heat)             |
| K10R     | Magnetic relay (operation output) (A1P)   | V1CP     | Safety devices input            | S2S | Selector switch (cool/heat)                   |
| K11R     | Magnetic relay (Y5S)(A1P)   | V1R      | Diode bridge (A2P)              |     |   |
|          |   | V2R      | Power module (A2P)              |     |   |
|          |   | X1A, X3A | Connector (Y1E, Y3E)            |     |   |
|          |   | X1M      | Terminal strip (power supply)   |     |   |
|          |   |          |                                 |     | RED: red                                      |
|          |   |          |                                 |     | GRY: grey                                     |
|          |   |          |                                 |     | BLK: black                                    |
|          |   |          |                                 |     | PNK: pink                                     |
|          |   |          |                                 |     | WHT: white                                    |
|          |   |          |                                 |     | ORG: orange                                   |
|          |   |          |                                 |     | BLU: blue                                     |

3D061377C

### NOTES

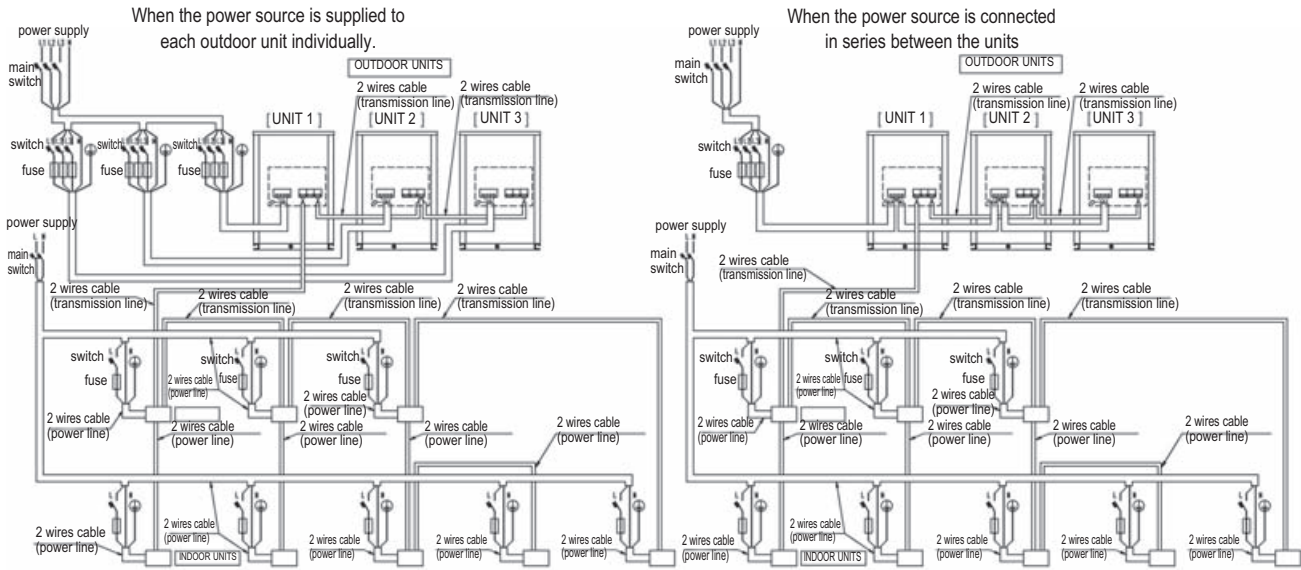
- This wiring diagram is applied only to the outdoor unit
- □ □ □: Terminal strip □ □ □ □: connector ○ ○: terminal ⊕ ⊕: Field wiring ⊕: protective earth (screw)
- When using the optional adapter, refer to the installation manual.
- Refer to the installation manual, for connection wiring to indoor-outdoor transmission F1-F2, outdoor-outdoor transmission F1-F2, outdoor-multi transmission Q1-Q2
- Refer to 'service precaution' label (on el.compo.box cover), how to use BS1~BS5 and DS1 switch.
- When operating, don't shortcircuit the protection device (S1PH).
- Be sure to connect an interlock circuit between the terminal (3)-(4) of terminal strip (X3M)
- Install a heat source water pump operation circuit between the terminal (1)-(2) of terminal strip (X2M), when interlocking a heat source water pump and system operation.
- Cool/heat selector cannot be connected when operating heat recovery system.



# 7 Wiring diagram

## 7 - 2 External connection diagram

### RWEYQ-P-[HEAT RECOVERY]

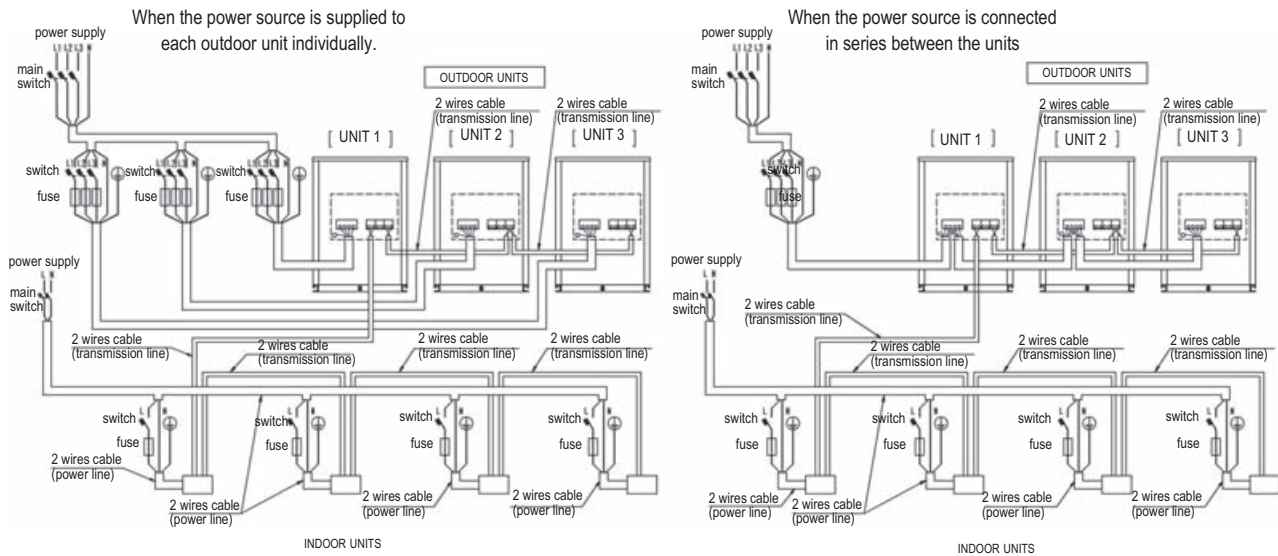


#### NOTES

- 1 All wiring, components and materials to be procured on the site must comply with the applicable local and national codes
- 2 Use copper conductors only.
- 3 As for details, see wiring diagram.
- 4 Install circuit breaker for safety.
- 5 All field wiring and components must be provided by licensed electrician.
- 6 Unit shall be grounded in compliance with the applicable local and national codes
- 7 Wiring shown are general points-of-connection guides only and are not intended for or to include all details for a specific installation.
- 8 Be sure to install the switch and the fuse to the power line of each equipment.
- 9 Install the main switch that can interrupt all the power sources in an integrated manner because this system consists of the equipment utilizing the multiple power sources.
- 10 If there exists the possibility of reversed phase, lose phase, momentary blackout or the power goes on and off while the product is operating, attach a reversed phase protection circuit locally. Running the product in reversed phase may break the compressor and other parts.

3D048823D

### RWEYQ-P-[HEAT PUMP]



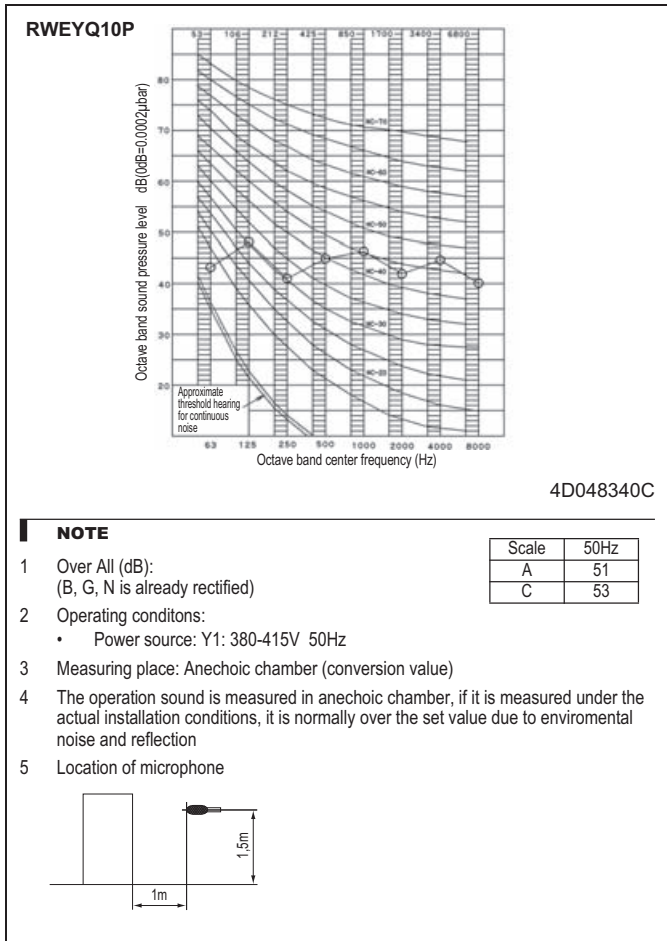
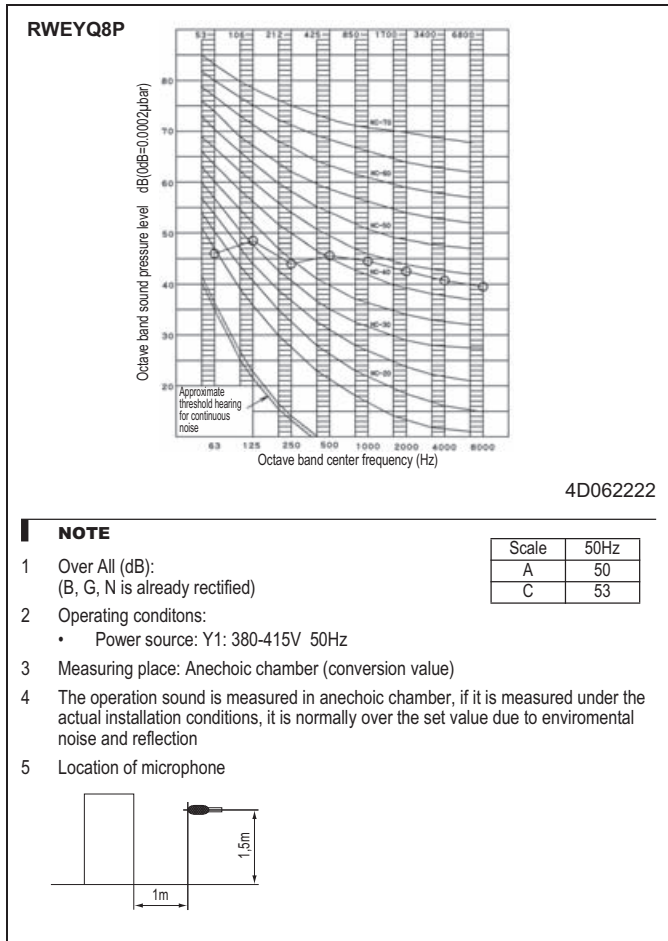
#### NOTES

- 1 All wiring, components and materials to be procured on the site must comply with the applicable local and national codes
- 2 Use copper conductors only.
- 3 As for details, see wiring diagram.
- 4 Install circuit breaker for safety.
- 5 All field wiring and components must be provided by licensed electrician.
- 6 Unit shall be grounded in compliance with the applicable local and national codes
- 7 Wiring shown are general points-of-connection guides only and are not intended for or to include all details for a specific installation.
- 8 Be sure to install the switch and the fuse to the power line of each equipment.
- 9 Install the main switch that can interrupt all the power sources in an integrated manner because this system consists of the equipment utilizing the multiple power sources.
- 10 If there exists the possibility of reversed phase, lose phase, momentary blackout or the power goes on and off while the product is operating, attach a reversed phase protection circuit locally. Running the product in reversed phase may break the compressor and other parts.

3D048824D

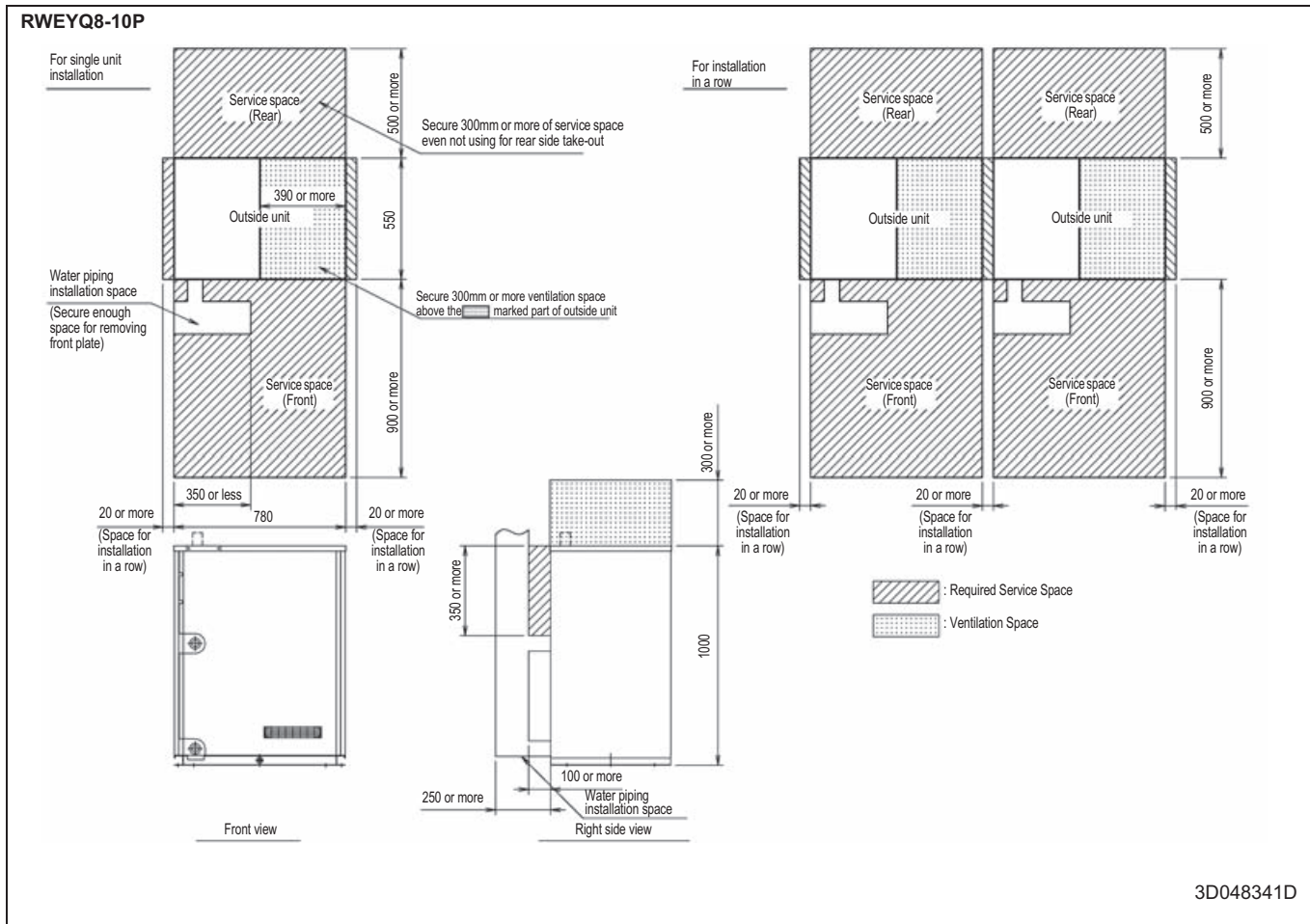
# 8 Sound data

## 8 - 1 Sound pressure spectrum



# 9 Installation

## 9 - 1 Service space



# 9 Installation

## 9 - 2 Refrigerant pipe selection

### RWEYQ-P

**Example of connection**  
(Connection of 6 indoor units Heat pump system)  
Outside unit  
BS unit  
Indoor unit  
Gas piping  
Liquid piping  
Suction piping  
Discharge piping

• Piping between outside unit and BS unit  
— (Thick line), 3-piping  
— (Thin line), 2-piping  
• Piping between BS unit and indoor unit  
— (Thick line), 3-piping  
— (Thin line), 2-piping

In case of multi outside unit system, re-merge the outside unit as the first outside branch seen from the indoor unit side.

**Branch with REFINET joint**

Example 1: Single outside unit system

Example 2: Multi outside unit system

**Branch with REFINET joint and REFINET header**

Example 3: Branch with REFINET header

Example 4: Multi outside unit system

**Branch with REFINET header**

Example 5: Multi outside unit system

Example 6: Multi outside unit system

**Refrigerant branch kit selection**

Refrigerant branch kits can only be used with R410A.

| Indoor capacity index | Refrigerant branch kit name |
|-----------------------|-----------------------------|
| < 200                 | KHRQ22M29H                  |
| 200 ≤ x < 290         | KHRQ22M29H                  |
| 290 ≤ x < 640         | KHRQ22M64H                  |
| 640 ≤                 | KHRQ22M75H                  |

How to select REFINET joint:  
• When using REFINET joints at the first branch counted from the outside unit side.  
• Choose from the following table in accordance with the capacity of the outside unit.  
(Example 1, 2, 4, 5: REFINET joints)

| Indoor capacity index | Heat recovery system |
|-----------------------|----------------------|
| < 200                 | KHRQ22M29H           |
| 200 ≤ x < 290         | KHRQ22M29H           |
| 290 ≤ x < 640         | KHRQ22M64H           |
| 640 ≤                 | KHRQ22M75H           |

How to select outside branch kit (Needed when the outside unit type is RWEYQ20 or more):  
• Select from the table below according to the number of outside units.

| Number of units of outside unit | Heat recovery system |
|---------------------------------|----------------------|
| 2 unit                          | BHPF22MA56           |
| 3 unit                          | BHPF22MA84           |

**Pipe size selection**

⚠ Caution  
The thickness of the pipes in the table shows the requirements of Japanese High Pressure Gas Control law. (As of Jun. 2003).  
The thickness and material shall be selected in accordance with local code.

For a multi outside unit system, make the settings in accordance with the following figure.

Piping between outside unit (A) and refrigerant branch kit (part A)  
Piping between outside branches (part B)  
Piping between outside branch and outside unit (part C)

**How to calculate the additional refrigerant to be charged**

Additional refrigerant to be charged R (kg)  
(R should be rounded off in units of 0.1 kg.)

Example for refrigerant branch using REFINET joint and REFINET header for RWEYQ30 (Heat recovery system)  
If the outside unit is RWEYQ30 and the piping lengths are as at right

$R = \left( \frac{\text{Total length (m) of liquid piping} \times 0.026}{\text{Piping size } \phi 15.9} \right) + \left( \frac{\text{Total length (m) of liquid piping} \times 0.12}{\text{Piping size } \phi 12.7} \right) + \left( \frac{\text{Total length (m) of liquid piping} \times 0.022}{\text{Piping size } \phi 9.5} \right) + \left( \frac{\text{Total length (m) of liquid piping} \times 0.022}{\text{Piping size } \phi 6.4} \right) + \left( \frac{\text{Total length (m) of liquid piping} \times 0.022}{\text{Piping size } \phi 4.8} \right) + \left( \frac{\text{Total length (m) of liquid piping} \times 0.022}{\text{Piping size } \phi 3.2} \right)$

System name: RWEYQ30, 10  
Heat recovery system: 4 kg  
RWEYQ30, 18, 20: 6.5 kg  
RWEYQ30, 24, 26, 30: 9 kg

# 9 Installation

## 9 - 2 Refrigerant pipe selection

RWEYQ-P

Note 1. When the equivalent pipe length between outside and indoor units is 80m or more, the size of main pipes on the liquid side (refer to figure 21) must be increased according to the right table.  
(Never increase suction gas pipe and HP/LP gas pipe.)

(Refer to figure 21)

- 1. Outside unit
- 2. Main pipes
- 3. Increase only liquid pipe size
- 4. First refrigerant branch kit
- 5. Indoor unit

| System        | Liquid pipe   |
|---------------|---------------|
| RWEYQ8-10PY1  | φ9.5 → φ12.7  |
| RWEYQ16PY1    | φ12.7 → φ15.9 |
| RWEYQ18-24PY1 | φ15.9 → φ19.1 |
| RWEYQ26-30PY1 | φ19.1 → φ22.2 |

Note 2. Allowable length after the first refrigerant branch kit to indoor units is 40m or less, however it can be extended up to 90m if all the following conditions are satisfied. (In case of "Branch with REFNET joint"\*)

| Required Conditions   | Example Drawings  |
|---|---|
| <p>1. It is necessary to increase the liquid and suction gas pipe size between the first branch kit and the final branch kit. (Reducers must be procured on site)<br/>However, the pipes that are same pipe size with main pipe must not be increased.</p> <p>2. For calculation of Total extension length, the actual length of above pipes must be doubled. (except main pipe and the pipes that are not increased)</p> <p>3. Indoor unit to the nearest branch kit ≤ 40 m</p> <p>4. The difference between [Outside unit to the farthest indoor unit] and [Outside unit to the nearest indoor unit] ≤ 40 m</p> | <p>REFNET joint (A-G)</p> <p>Indoor units (1 - 8)</p> <p>Outside unit</p>   |
| <p>[8] <math>b+c+d+e+f+g+p \leq 90</math> m<br/>increase the liquid and suction gas pipe size of b, c, d, e, f, g</p>   | <p>Increase the liquid and suction gas pipe size as follows<br/> <math>\phi 9.5 \rightarrow \phi 12.7</math>   <math>\phi 15.9 \rightarrow \phi 19.1</math>   <math>\phi 22.2 \rightarrow \phi 25.4^*</math>   <math>\phi 34.9 \rightarrow \phi 38.1^*</math><br/> <math>\phi 12.7 \rightarrow \phi 15.9</math>   <math>\phi 19.1 \rightarrow \phi 22.2</math>   <math>\phi 28.6 \rightarrow \phi 31.8^*</math></p> |
| <p><math>a+b \times 2+c \times 2+d \times 2+e \times 2+f \times 2+g \times 2+h+i+j+k+l+m+n+p \leq 300</math> m</p> <p><math>h, i, j, \dots, p \leq 40</math> m</p> <p>The farthest indoor unit [8]<br/>The nearest indoor unit [1]<br/><math>(a+b+c+d+e+f+g+p)-(a+h) \leq 40</math> m</p>   |   |

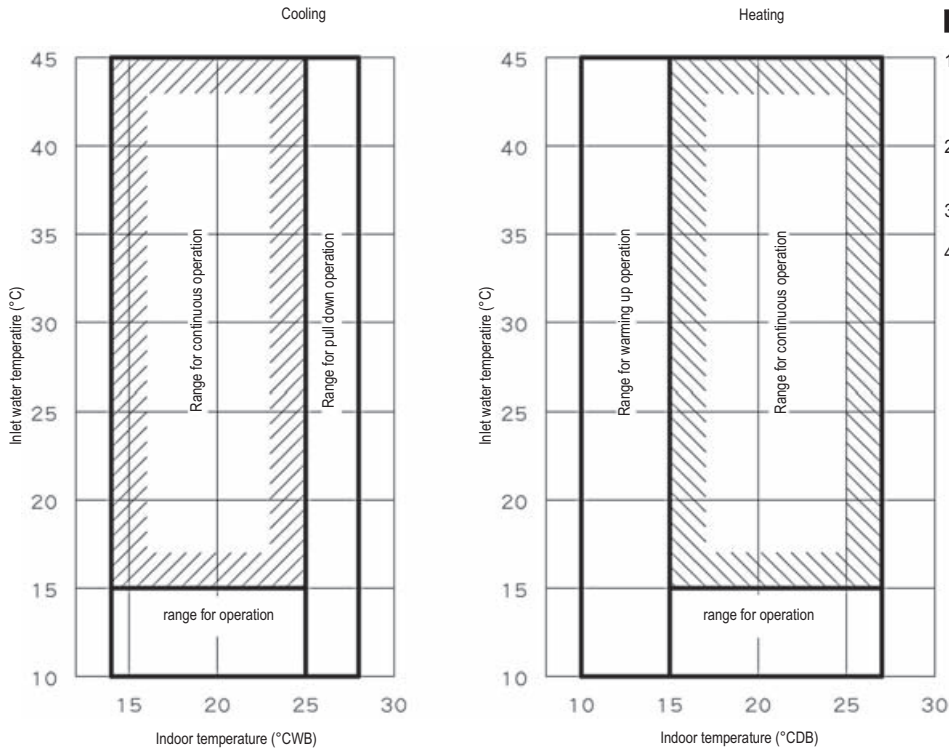
\*If available on the site, use this size. Otherwise it can not be increased.

This table is about a heat recovery system (3-piping: suction gas, HP/LP gas and liquid pipes).  
In a case of heat pump system (2-piping: gas and liquid pipes), select the pipe size from suction gas pipe for gas pipes and from liquid gas pipe for liquid pipes. And BS unit is not required.

3P153897-8L

# 10 Operation range

RWEYQ-P



**NOTES**

- 1 This figure shows the range which can be operated, when it is the water volume shown below.  
50~150L/min
- 2 Design in the following condition range,  
water temperature 20~35°C  
water volume 60L/min or more
- 3 When cooling load is small, thermostat-off may be carried out for freeze-up protection.
- 4 Hold ambient temperature at 0~40°C and humidity at 80%RH or less.

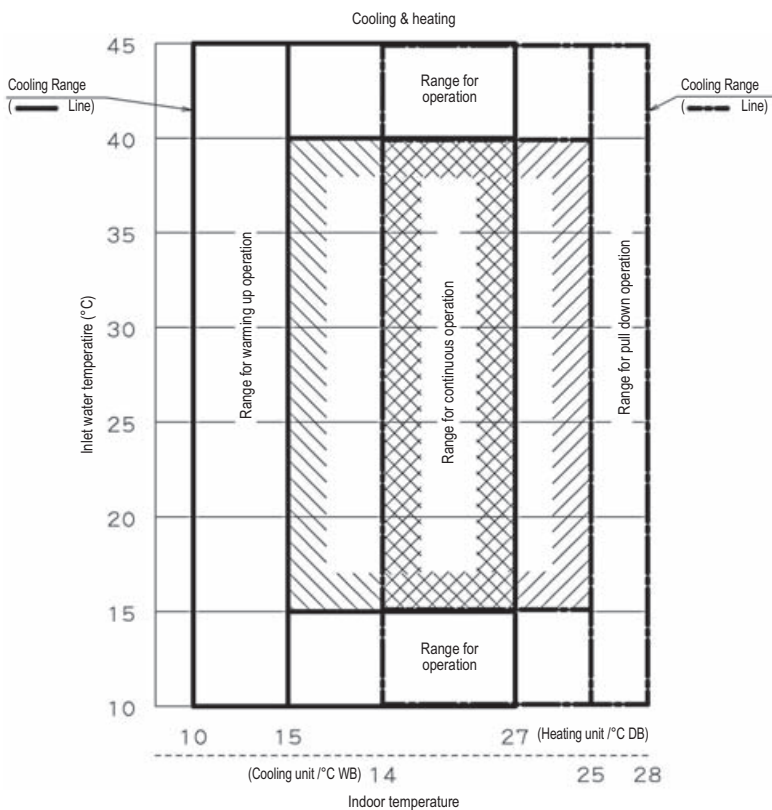
Range for continuous operation

: cooling

: heating

3D046586F

RWEYQ-P



**NOTES**

- 1 This figure shows the range which can be operated, when it is the water volume shown below.  
50~150L/min
- 2 Design in the following condition range,  
water temperature 20~35°C  
water volume 60L/min or more
- 3 When cooling load is small, thermostat-off may be carried out for freeze-up protection.
- 4 Hold ambient temperature at 0~40°C and humidity at 80%RH or less.

Range for continuous operation

: cooling

: heating

3D049377B

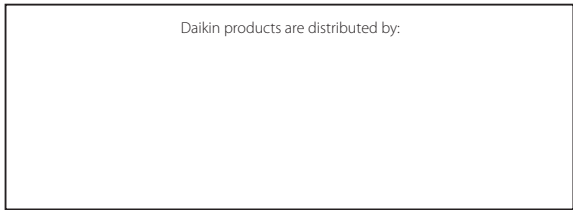


Daikin's unique position as a manufacturer of air conditioning equipment, compressors and refrigerants has led to its close involvement in environmental issues. For several years Daikin has had the intention to become a leader in the provision of products that have limited impact on the environment. This challenge demands the eco design and development of a wide range of products and an energy management system, resulting in energy conservation and a reduction of waste.



The present publication is drawn up by way of information only and does not constitute an offer binding upon Daikin Europe N.V. Daikin Europe N.V. has compiled the content of this publication to the best of its knowledge. No express or implied warranty is given for the completeness, accuracy, reliability or fitness for particular purpose of its content and the products and services presented therein. Specifications are subject to change without prior notice. Daikin Europe N.V. explicitly rejects any liability for any direct or indirect damage, in the broadest sense, arising from or related to the use and/or interpretation of this publication. All content is copyrighted by Daikin Europe N.V.

Daikin products are distributed by:



VRV® products are not within the scope of the Eurovent certification programme.

