

SERVICE MANUAL

SPLIT TYPE AIR CONDITIONER

CASSETTE type (50Hz)

Models

Indoor unit	Outdoor unit
AUY12AGA	AOY12AGAL
AUY12RGA	AOY12RGAL
AUG12AGA	AOG12AGAL
AUG12RGA	AOG12RGAL
AUT12AGA	AOT12AGAL
AUT12RGA	AOT12RGAL
AUY14AGA	AOY14AGAL
AUY14RGA	AOY14RGAL
AUG14AGA	AOG14AGAL
AUG14RGA	AOG14RGAL
AUT14AGA	AOT14AGAL
AUT14RGA	AOT14RGAL
AUY18AGA	AOY18ANCL
AUY18RGA	AOY18RNCL
AUG18AGA	AOG18ANCL
AUG18RGA	AOG18RNCL
AUT18AGA	AOT18ANCL
AUT18RGA	AOT18RNCL

CONTENTS

SPECIFICATIONS	1
OUTLINE AND DIMENSIONS	3
CIRCUIT DIAGRAM	5
REFRIGERANT SYSTEM DIAGRAM	8
ERROR CONTENTS.....	10
INDOOR PCB CIRCUIT DIAGRAM	11
DISASSEMBLY ILLUSTRATION	15
PARTS LIST	24

SPECIFICATIONS

TYPE		COOL	COOL & HEAT	COOL	COOL & HEAT	COOL	COOL & HEAT
INDOOR UNIT		AUY12AGA AUG12AGA	AUY12RGA AUG12RGA	AUY14AGA AUG14AGA	AUY14RGA AUG14RGA	AUY18AGA AUG18AGA	AUY18RGA AUG18RGA
OUTDOOR UNIT		AOG12AGAL AOY12AGAL	AOG12RGAL AOY12RGAL	AOG14AGAL AOY14AGAL	AOG14RGAL AOY14RGAL	AOG18ANCL AOY18ANCL	AOG18RNCL AOY18RNCL
COOLING CAPACITY	(kW)	3.65 - 3.70	3.60 - 3.65	4.00 - 4.10	3.90 - 4.00	4.95 - 5.10	4.85 - 5.00
HEATING CAPACITY	(kW)	—	4.00 - 4.10	—	4.50 - 4.70	—	5.30 - 5.45

ELECTRICAL DATA

POWER SOURCE	(V)	220 - 240V						
FREQUENCY	(Hz)	50						
RUNNING CURRENT	(A)	COOLING	5.8 - 5.5	5.9 - 5.5	7.4 - 7.4	7.4 - 7.4	8.7 - 8.5	8.2 - 8.0
		HEATING	—	5.8 - 5.5	—	7.4 - 7.4	—	8.4 - 8.5
INPUT WATTS	(kW)	COOLING	1.27 - 1.30	1.27 - 1.30	1.55 - 1.60	1.55 - 1.60	1.90 - 2.00	1.80 - 1.90
		HEATING	—	1.25 - 1.28	—	1.55 - 1.65	—	1.90 - 2.00
E.E.R.	(kW/kW)	COOLING	2.87 - 2.85	2.83 - 2.81	2.58 - 2.56	2.52 - 2.50	2.61 - 2.55	2.69 - 2.68
		HEATING	—	3.20 - 3.20	—	2.90 - 2.85	—	2.79 - 2.73
STARTING CURRENT	(A)	29	29	41	41	42	42	
MOISTURE REMOVAL	(R /hr)	1.6	1.6	1.8	1.8	2.1	2.1	
AIR CIRCULATION-Hi	(m³/hr)	550	550	550	550	650	650	
REFRIGERANT	R-22 (g)	950	950	1,000	950	1,450	1,600	

COMPRESSOR

TYPE	Hermetic type		
DISCRIMINATION	QJ236PD24B	QJ282PC24A	2JS318D5BA02
POWER SOURCE	220 - 240V 50Hz	220 - 240V 50Hz	220 - 240V 50Hz

FAN MOTOR

POWER SOURCE	(V)	240		
INDOOR UNIT	DISCRIMINATION	MFA-14GTT	MFA-14GTT	MFA-18GTT
	HI-SPEED (r.p.m.)	750	750	820
	MED-SPEED (r.p.m.)	670	670	740
	LO-SPEED (r.p.m.)	590	590	620
OUTDOOR UNIT	DISCRIMINATION	MFB-14DTT	MFB-14DTT	MFB-252TAT
	HI / LO (r.p.m.)	580 / 280	580 / 280	740 / 280

DIMENSIONS

INDOOR UNIT	H x W x D (mm)	235 x 580 x 580 + 70
OUTDOOR UNIT	H x W x D (mm)	643 x 840 x 336
GRILLE	H x W x D (mm)	35 x 650 x 650

WEIGHT

INDOOR UNIT	GROSS / NET (kg)	18 / 23					
OUTDOOR UNIT	GROSS / NET (kg)	51 / 59	52 / 60	51 / 59	52 / 60	59 / 67	68 / 76
GRILLE	GROSS / NET (kg)	2.2 / 4.3					

ADDITIONAL REFRIGERANT CHARGE

FULLCHARGE AMOUNT	PIPE LENGTH	5 m (16 ft)	1,000 g (35.3 oz)	1,000 g (35.3 oz)	1,000 g (35.3 oz)	1,000 g (35.3 oz)	1,170 g (41.3 oz)	1,800 g (63.5 oz)
	10 m (33 ft)	1,000 g (35.3 oz)	1,075 g (37.9 oz)	1,050 g (37.0 oz)	1,075 g (37.9 oz)	1,245 g (43.9 oz)	1,950 g (68.8 oz)	
	15 m (49 ft)	1,050 g (37.0 oz)	1,150 g (40.6 oz)	1,100 g (38.8 oz)	1,150 g (40.6 oz)	1,320 g (46.6 oz)	2,100 g (74.1 oz)	
	20 m (66 ft)	1,110 g (38.8 oz)	1,225 g (43.2 oz)	1,150 g (40.6 oz)	1,225 g (43.2 oz)	1,395 g (49.2 oz)	2,250 g (79.4 oz)	
Additional refrigerant	g / m (oz. / ft)	10 (0.35)	15 (0.53)	10 (0.35)	15 (0.53)	15 (0.53)	30 (1.06)	

TYPE		COOL	COOL & HEAT	COOL	COOL & HEAT	COOL	COOL & HEAT
INDOOR UNIT		AUT12AGA	AUT12RGA	AUT14AGA	AUT14RGA	AUT18AGA	AUT18RGA
OUTDOOR UNIT		AOT12AGAL	AOT12RGAL	AOT14AGAL	AOT14RGAL	AOT18ANCL	AOT18RNCL
COOLING CAPACITY	[W(A)]	3,700	3,650	4,100	4,000	5,100	5,000
HEATING CAPACITY	[W(A)]	—	4,100	—	4,700	—	5,450

ELECTRICAL DATA

POWER SOURCE	(V)	240 - (220)						
FREQUENCY	(Hz)	50						
RUNNING CURRENT	(A)	COOLING	5.5	5.5	7.4	7.4	8.5	8.0
		HEATING	—	5.5	—	7.4	—	8.5
INPUT WATTS	(W)	COOLING	1,300	1,300	1,600	1,600	2,000	1,900
		HEATING	—	1,280	—	1,650	—	2,000
E.E.R.	(kW/kW)	COOLING	2.85	2.81	2.56	2.50	2.55	2.63
		HEATING	—	3.20	—	2.85	—	2.73
STARTING CURRENT	(A)		29	29	41	41	42	42
MOISTURE REMOVAL	(R /hr)		1.6	1.6	1.8	1.8	2.1	2.1
AIR CIRCULATION-Hi	(m³/hr)		550	550	550	550	650	650
REFRIGERANT	R-22 (g)		950	950	1,000	950	1,450	1,600

COMPRESSOR

TYPE	Hermetic type		
DISCRIMINATION	QJ236PD24B	QJ282PC24A	2JS318D5BA02
POWER SOURCE	240 - (220) 50Hz	240 - (220) 50Hz	240 - (220) 50Hz

FAN MOTOR

POWER SOURCE	(V)	240		
INDOOR UNIT	DISCRIMINATION	MFA-14GTT	MFA-14GTT	MFA-18GTT
	HI-SPEED (r.p.m.)	750	750	820
	MED-SPEED (r.p.m.)	670	670	740
	LO-SPEED (r.p.m.)	590	590	620
OUTDOOR UNIT	DISCRIMINATION	MFB-14DTT	MFB-14DTT	MFB-252TAT
	HI / LO (r.p.m.)	580 / 280	580 / 280	740 / 280

DIMENSIONS

INDOOR UNIT	H x W x D (mm)	235 x 580 x 580 + 70
OUTDOOR UNIT	H x W x D (mm)	643 x 840 x 336
GRILLE	H x W x D (mm)	35 x 650 x 650

WEIGHT

INDOOR UNIT	GROSS / NET (kg)	18 / 23					
OUTDOOR UNIT	GROSS / NET (kg)	51 / 59	52 / 60	51 / 59	52 / 60	66 / 73	68 / 76
GRILLE	GROSS / NET (kg)	2.2 / 4.3					

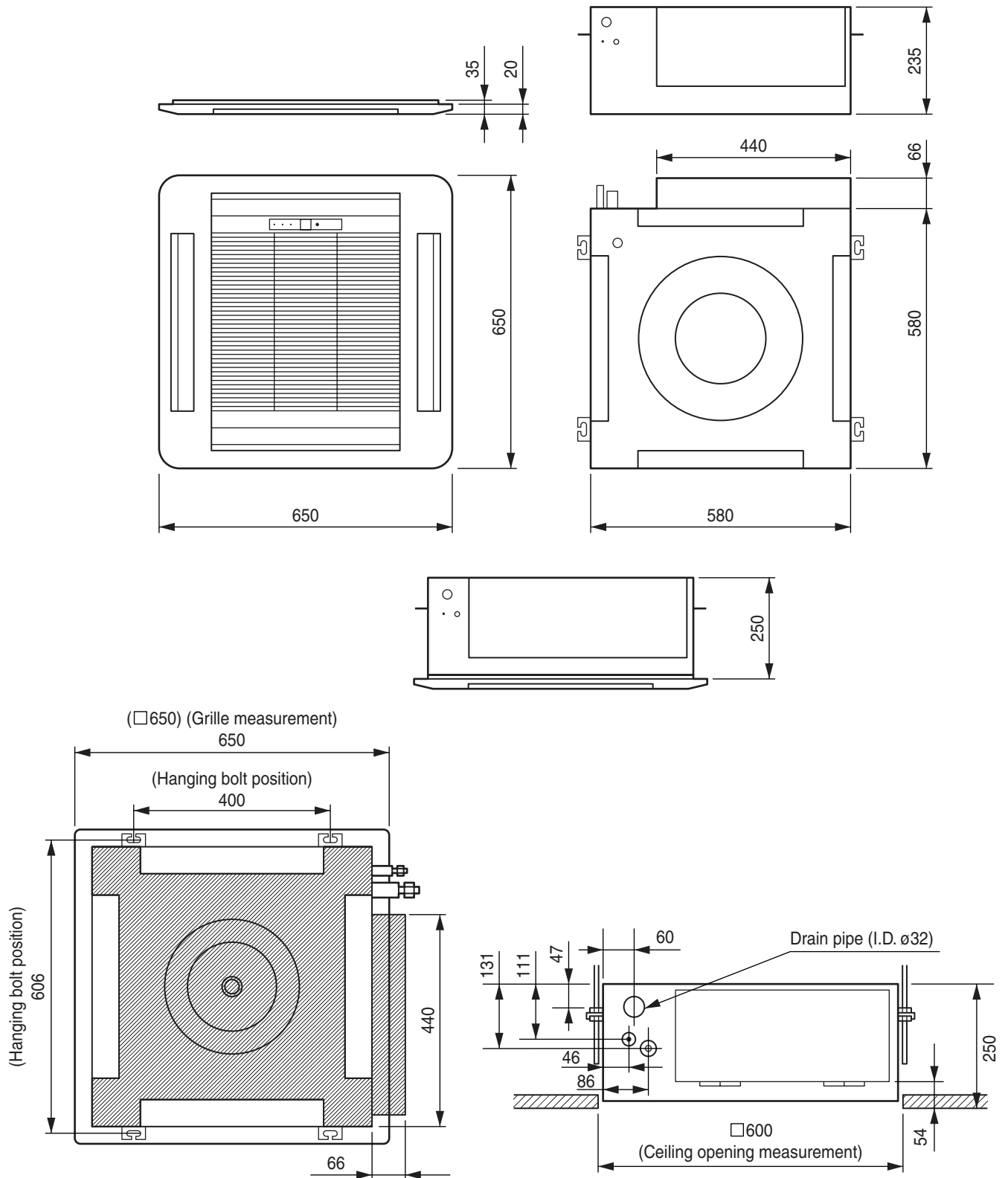
ADDITIONAL REFRIGERANT CHARGE

FULLCHARGE AMOUNT	PIPE LENGTH	5 m (16 ft)	950 g (33.5 oz)	1,000 g (35.3 oz)	1,000 g (35.3 oz)	1,000 g (35.3 oz)	1,170 g (41.3 oz)	1,800 g (63.5 oz)
		10 m (33 ft)	1,000 g (35.3 oz)	1,075 g (37.9 oz)	1,050 g (37.0 oz)	1,075 g (37.9 oz)	1,245 g (43.9 oz)	1,950 g (68.8 oz)
		15 m (49 ft)	1,050 g (37.0 oz)	1,150 g (40.6 oz)	1,100 g (38.8 oz)	1,150 g (40.6 oz)	1,320 g (46.6 oz)	2,100 g (74.1 oz)
		20 m (66 ft)	1,110 g (38.8 oz)	1,225 g (43.2 oz)	1,150 g (40.6 oz)	1,225 g (43.2 oz)	1,395 g (49.2 oz)	2,250 g (79.4 oz)
Additional refrigerant		g / m (oz. / ft)	10 (0.35)	15 (0.53)	10 (0.35)	15 (0.53)	15 (0.53)	30 (1.06)

OUTLINE AND DIMENSIONS

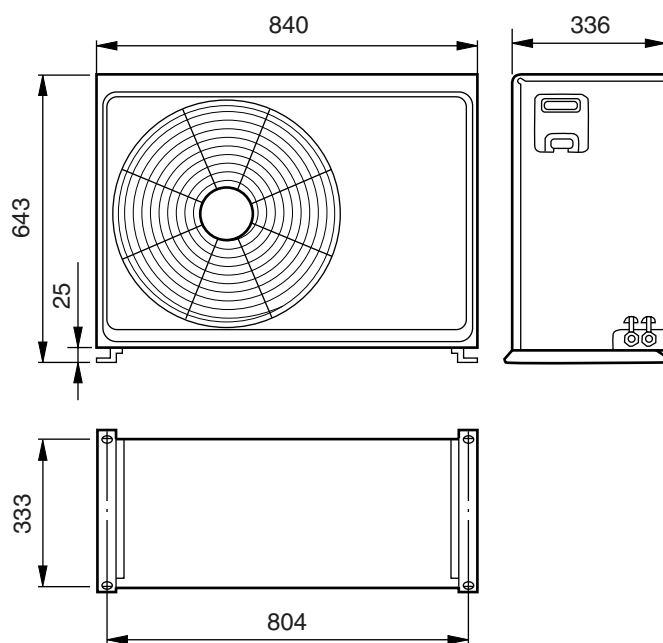
(unit : mm)

INDOOR UNIT



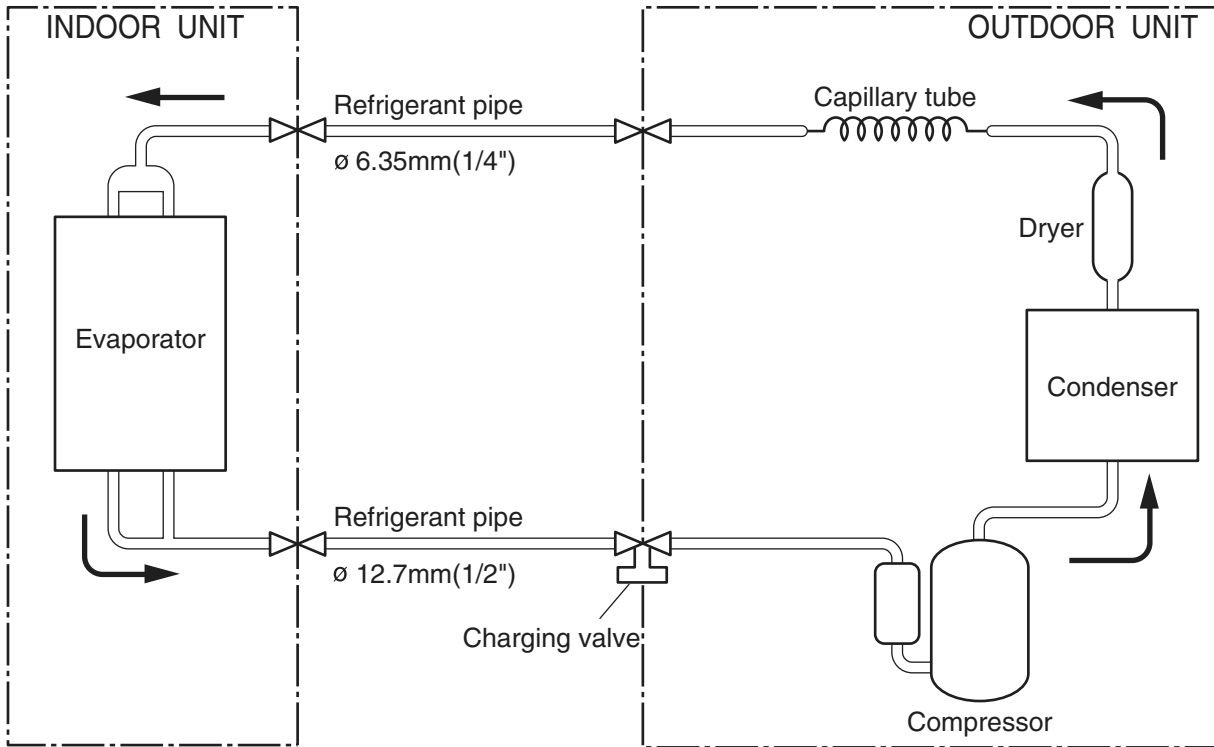
OUTDOOR UNIT

(unit : mm)

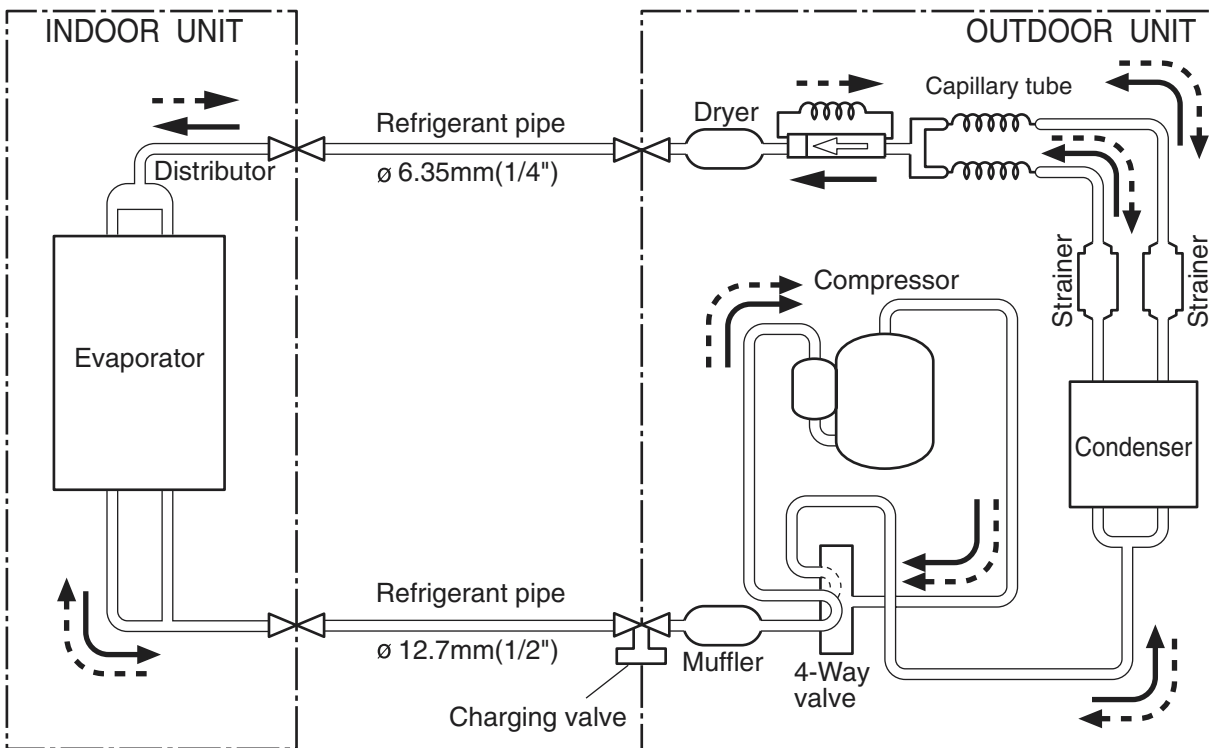


REFRIGERANT SYSTEM DIAGRAM

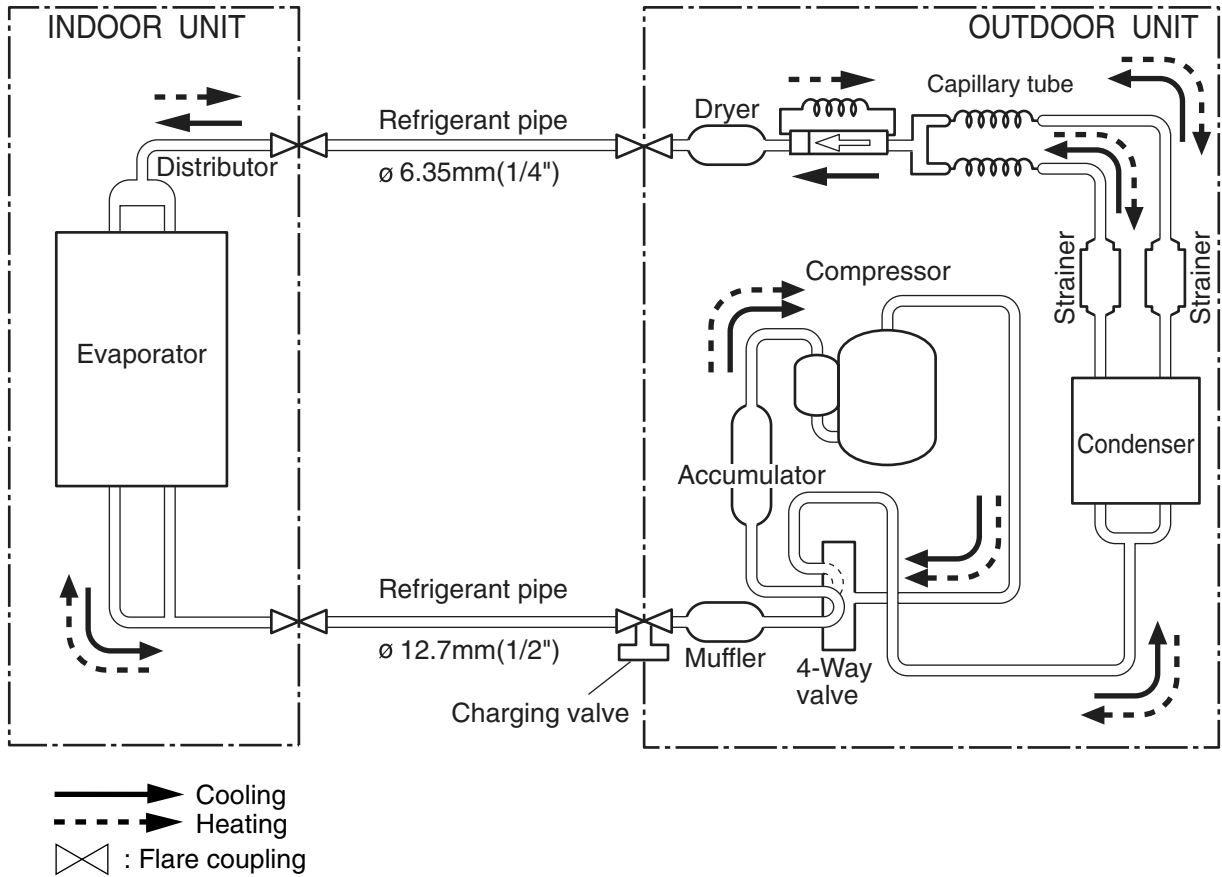
**Models : AU Y12AGA / AO Y12AGAL, AUG12AGA / AOG12AGAL, AUT12AGA / AOT12AGAL,
 AU Y14AGA / AO Y14AGAL, AUG14AGA / AOG14AGAL, AUT14AGA / AOT14AGAL,
 AU Y18AGA / AO Y18ANCL, AUG18AGA / AOG18ANCL, AUT18AGA / AOT18ANCL**



**Models : AU Y12RGA / AO Y12RGAL, AUG12RGA / AOG12RGAL, AUT12RGA / AOT12RGAL,
 AU Y14RGA / AO Y14RGAL, AUG14RGA / AOG14RGAL, AUT14RGA / AOT14RGAL**

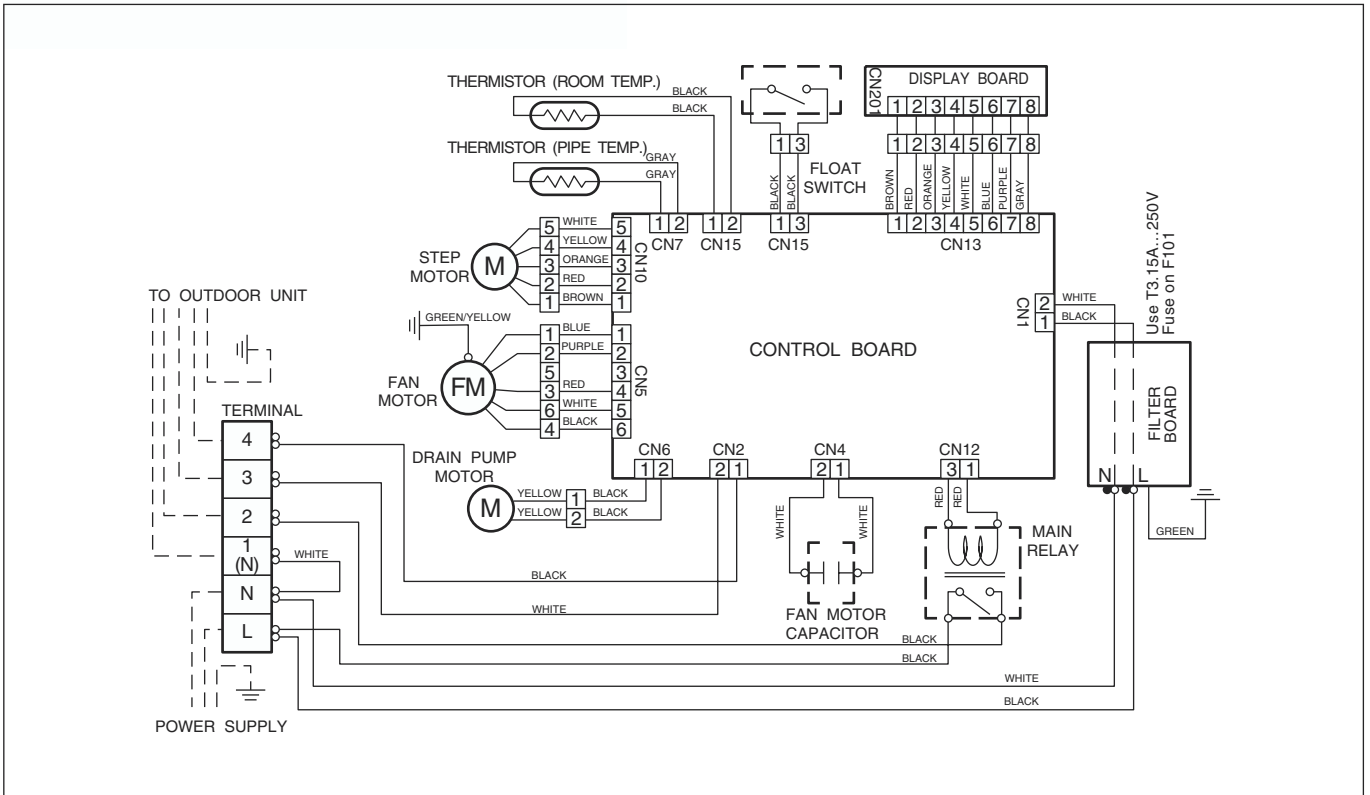


Models : AUY18RGA / AOY18RNCL, AUG18RGA / AOG18RNCL,
AUT18RGA / AOT18RNCL

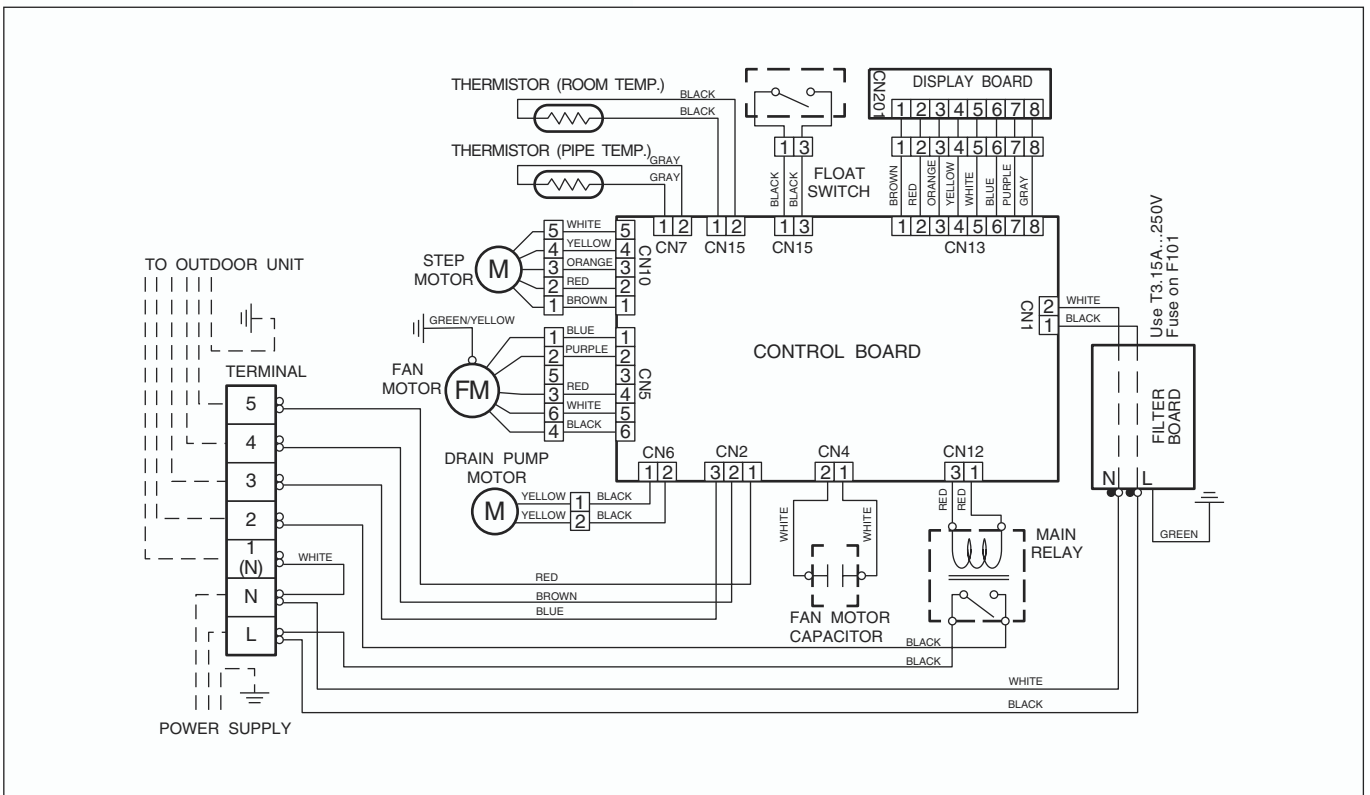


C I R C U I T D I A G R A M

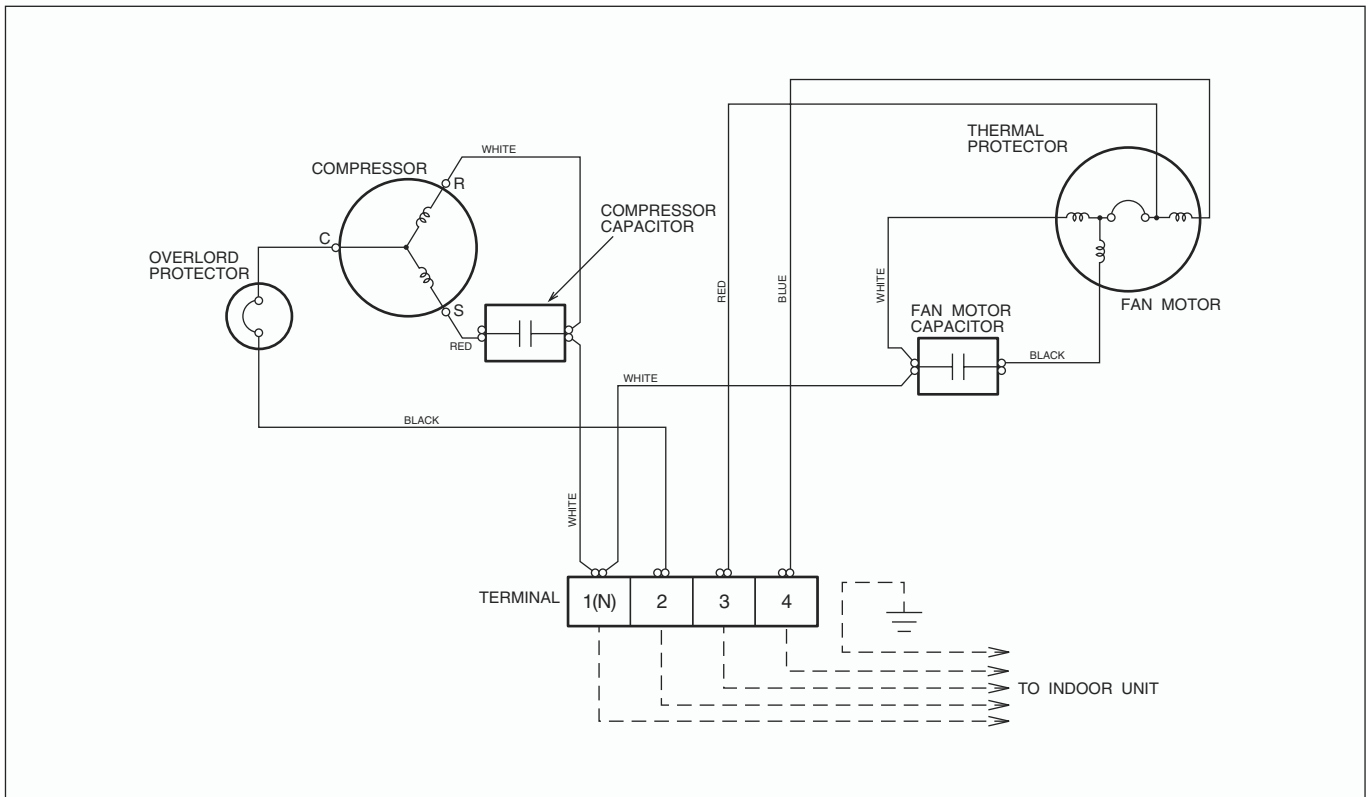
**Models : AU Y12AGA, AU G12AGA, AU T12AGA,
AU Y14AGA, AU G14AGA, AU T14AGA,
AU Y18AGA, AU G18AGA, AU T18AGA**



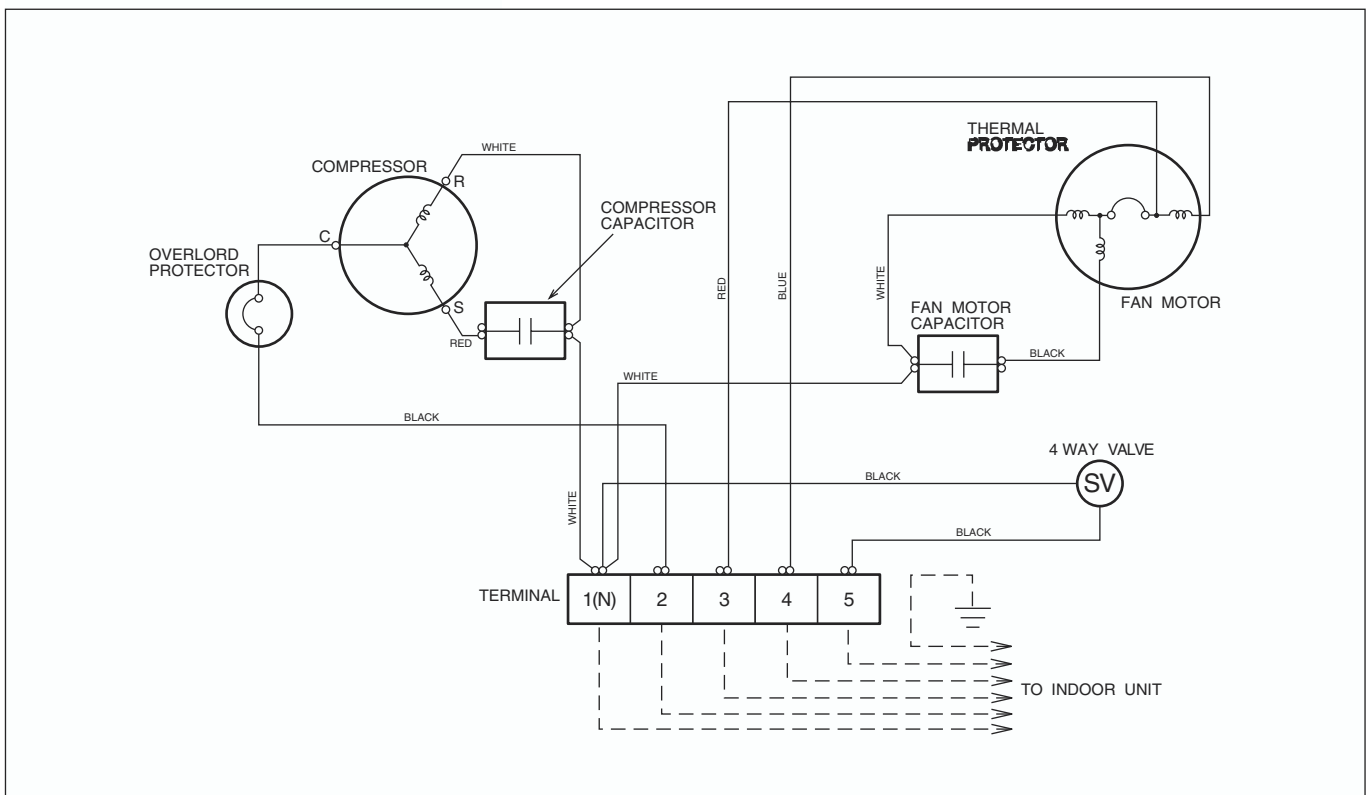
**Models : AU Y12RGA, AU G12RGA, AU T12RGA,
AU Y14RGA, AU G14RGA, AU T14RGA,
AU Y18RGA, AU G18RGA, AU T18RGA**



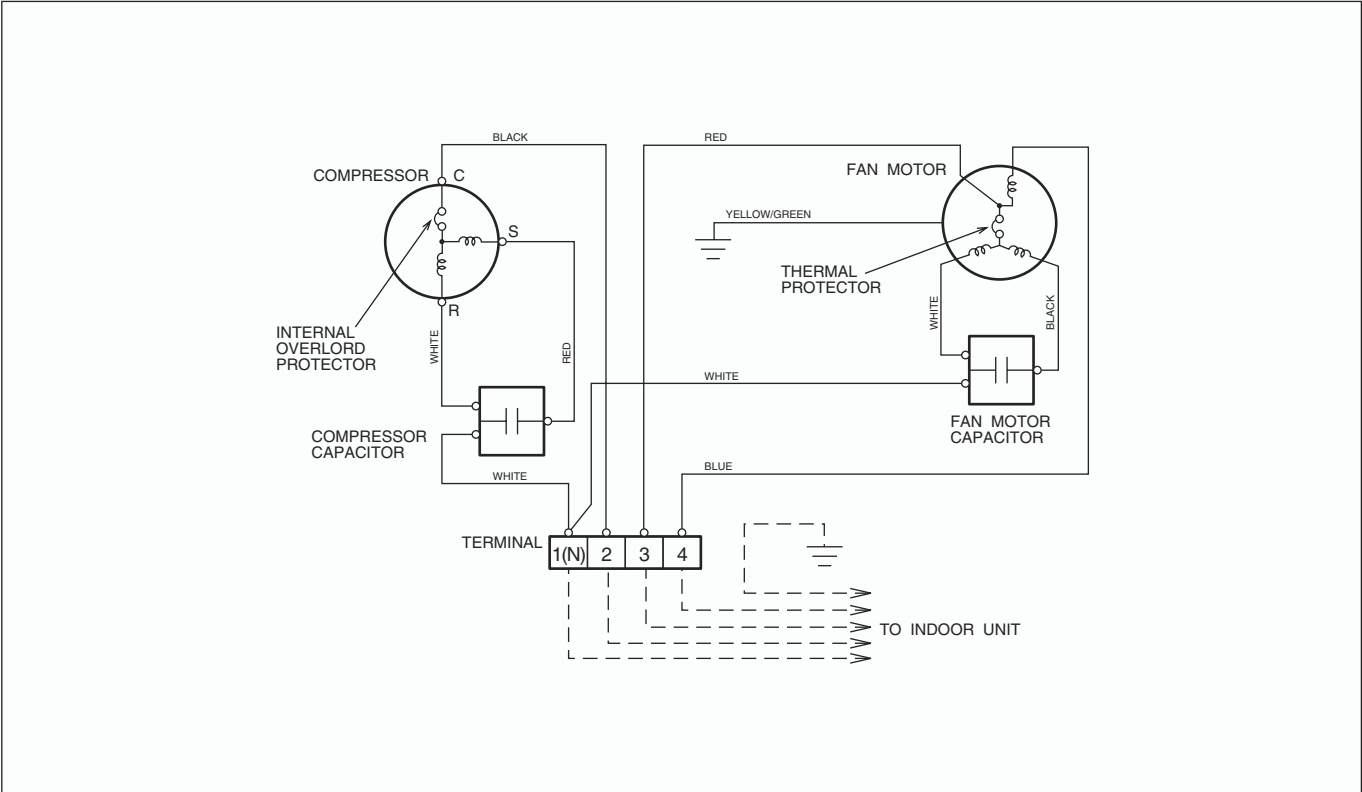
**Models : AOY12AGAL, AOG12AGAL,
AOT12AGAL**



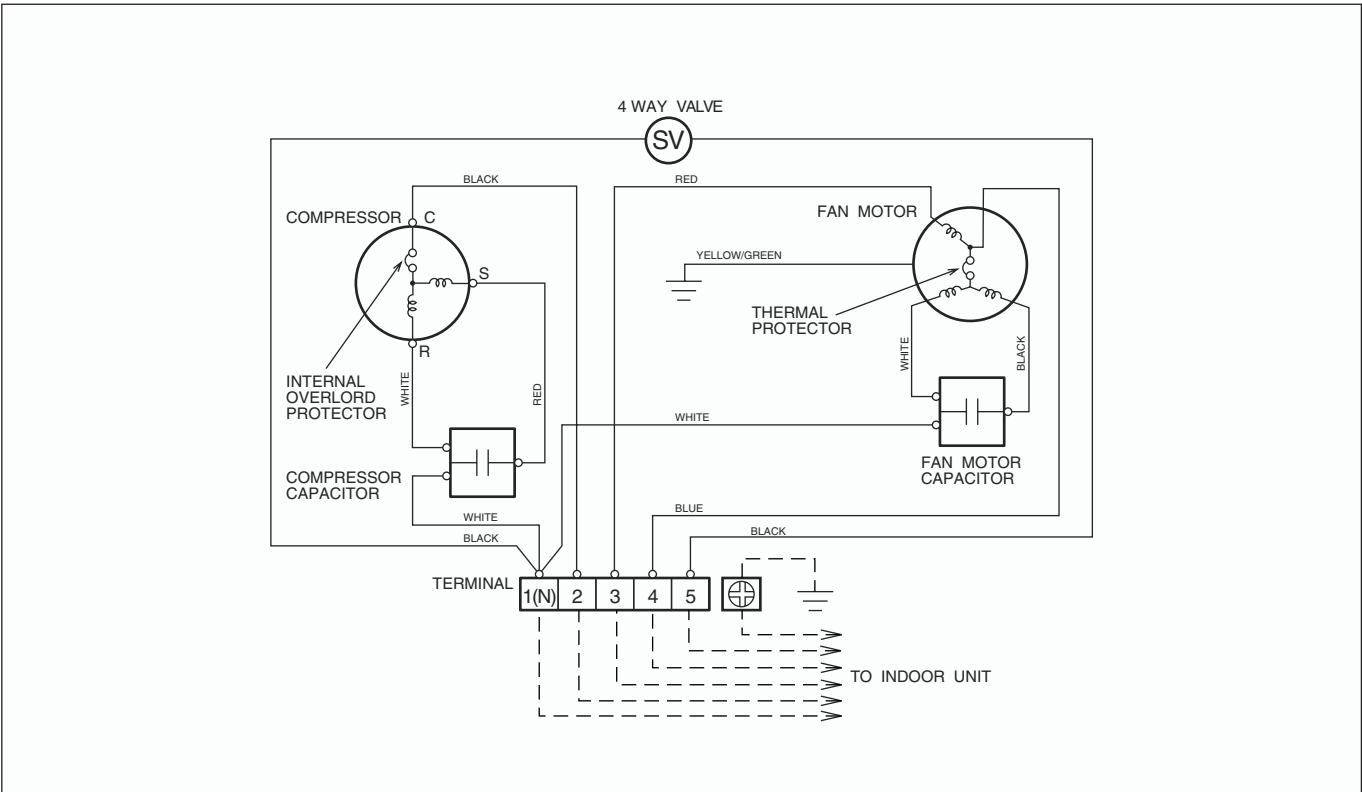
**Models : AOY12RGAL, AOG12RGAL,
AOT12RGAL**



**Models : AOY14AGAL, AOG14AGAL, AOT14AGAL,
AOY18ANCL, AOG18ANCL, AOT18ANCL**



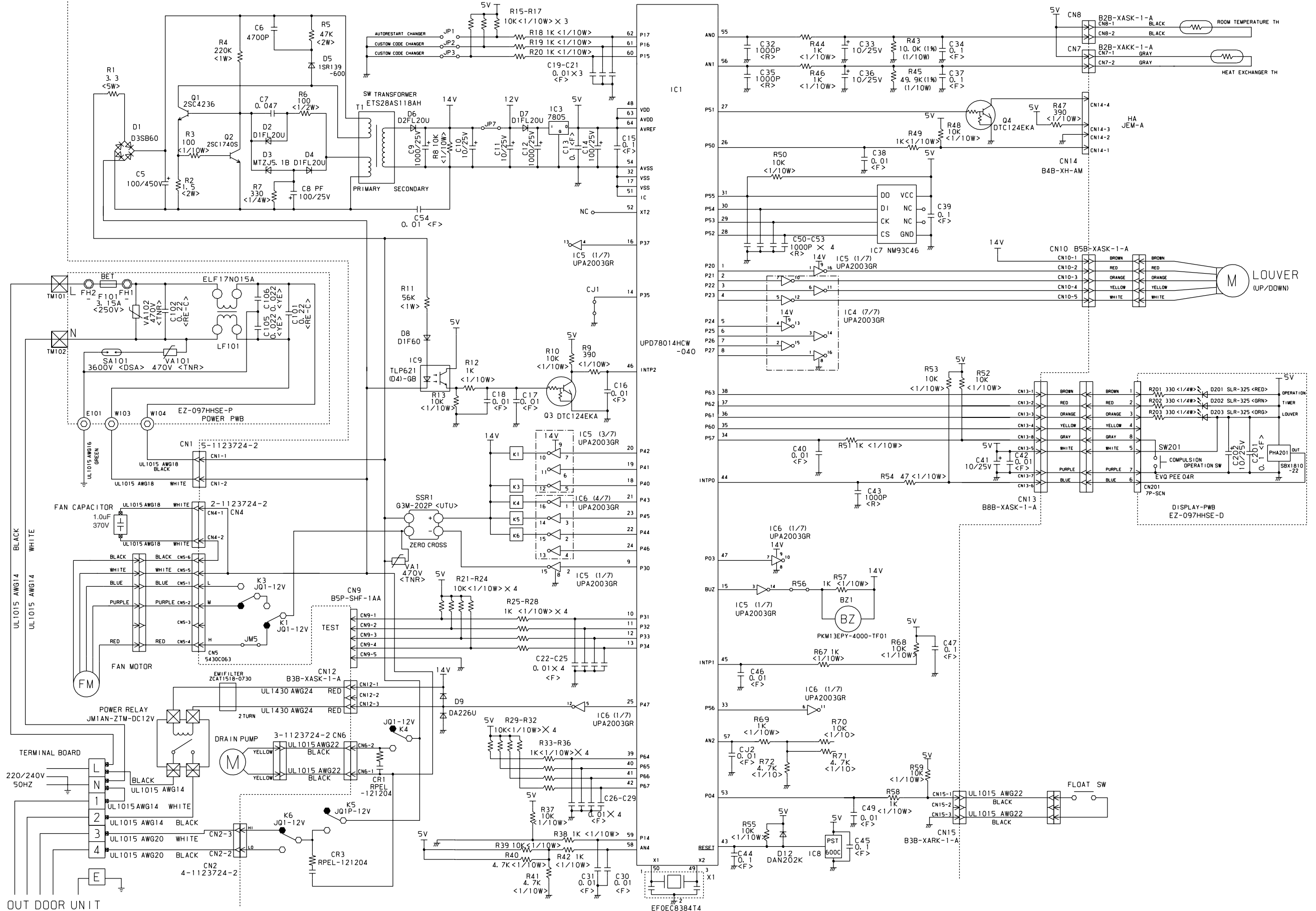
**Models : AOY14RGAL, AOG14RGAL, AOT14RGAL,
AOY18RNCL, AOG18RNCL, AOT18RNCL**



INDOOR PCB CIRCUIT DIAGRAM

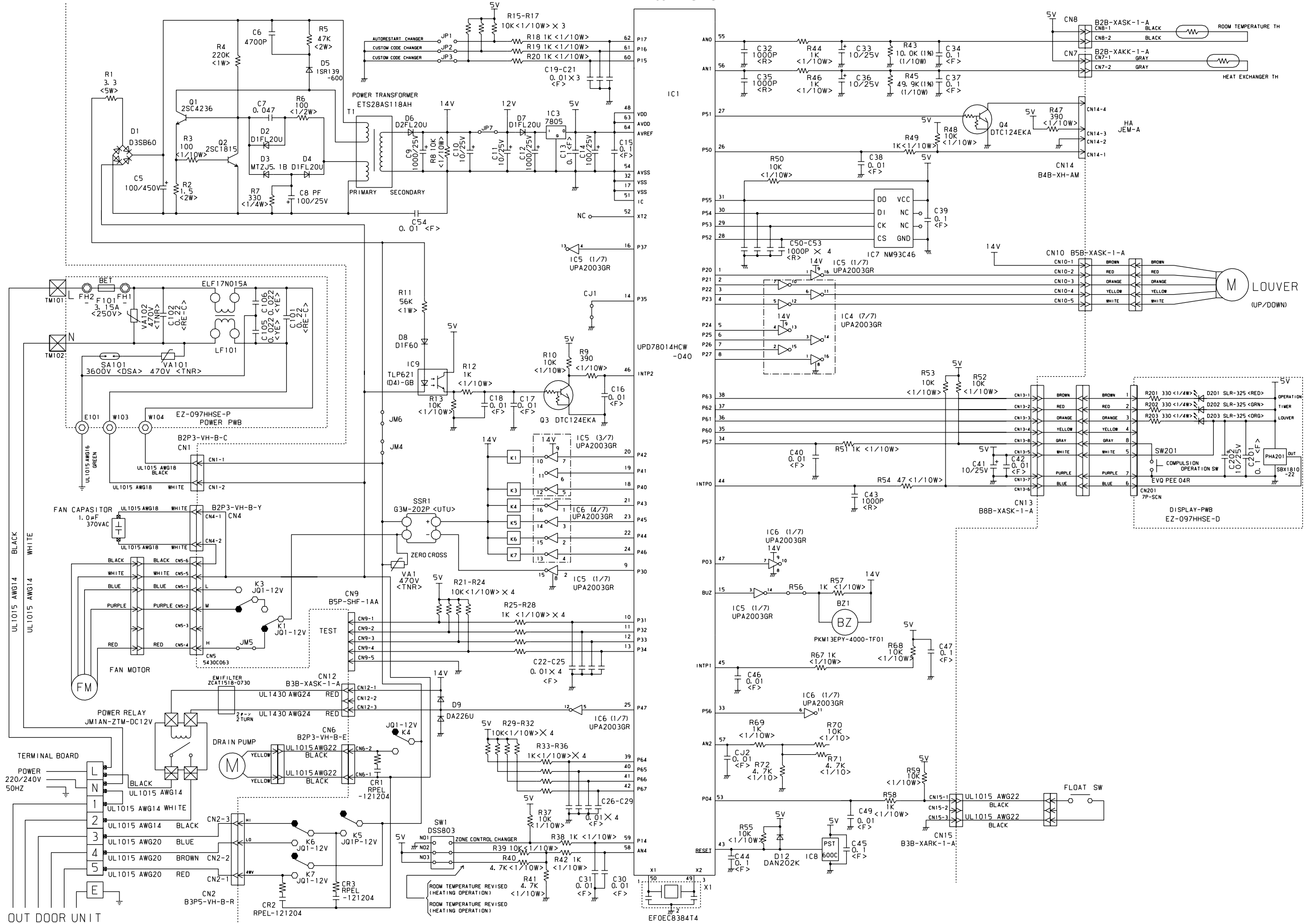
Models : AUY12AGA, AUG12AGA, AUT12AGA,
AUY14AGA, AUG14AGA, AUT14AGA

CONTROLLER PCB ASSEMBLY (MAIN PCB) EZ-097EWSE-C



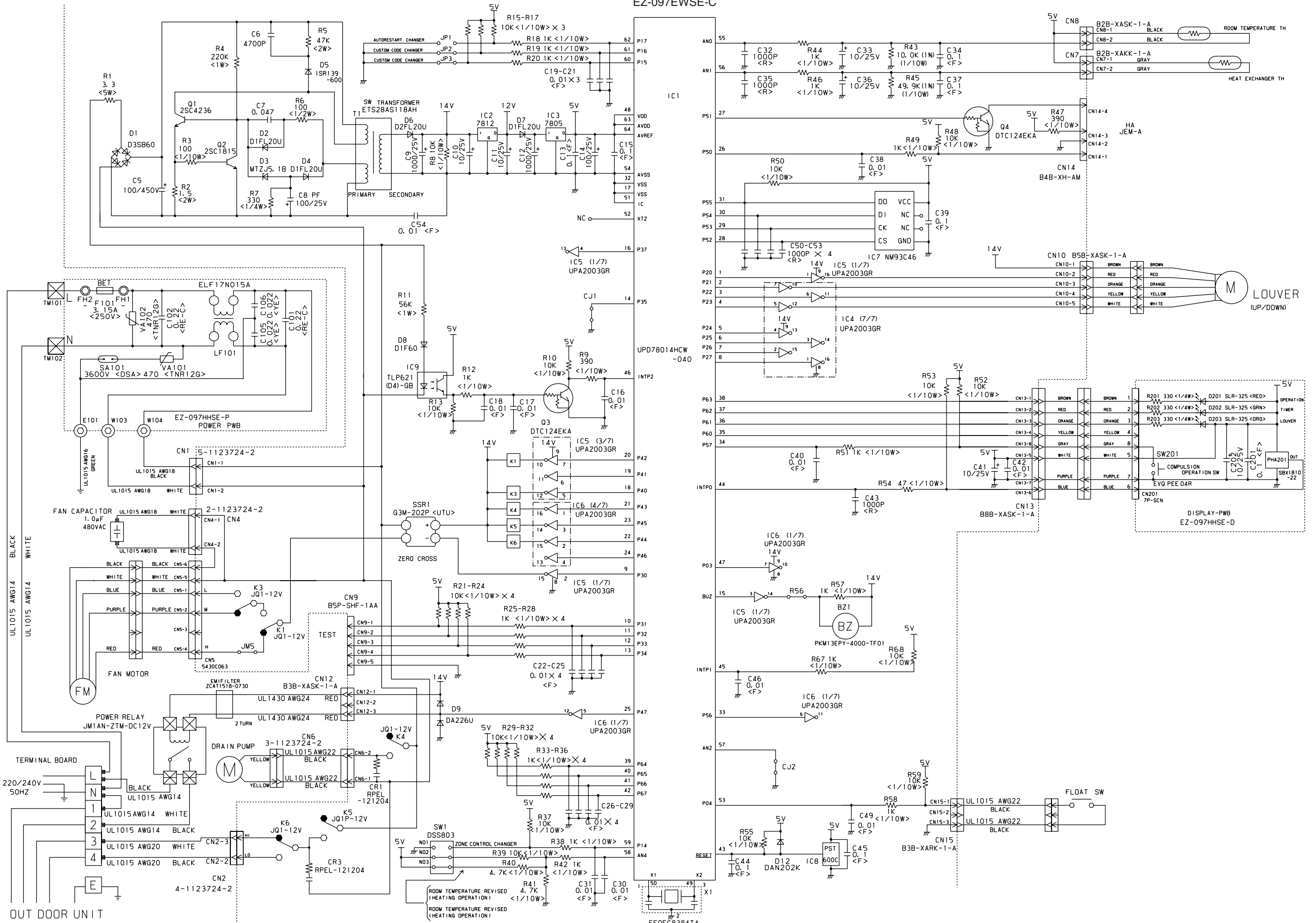
Models : AUY12RGA, AUG12RGA, AUT12RGA,
AUY14RGA, AUG14RGA, AUT14RGA

CONTROLLER PCB ASSEMBLY (MAIN PCB)
EZ-097HHSE-C



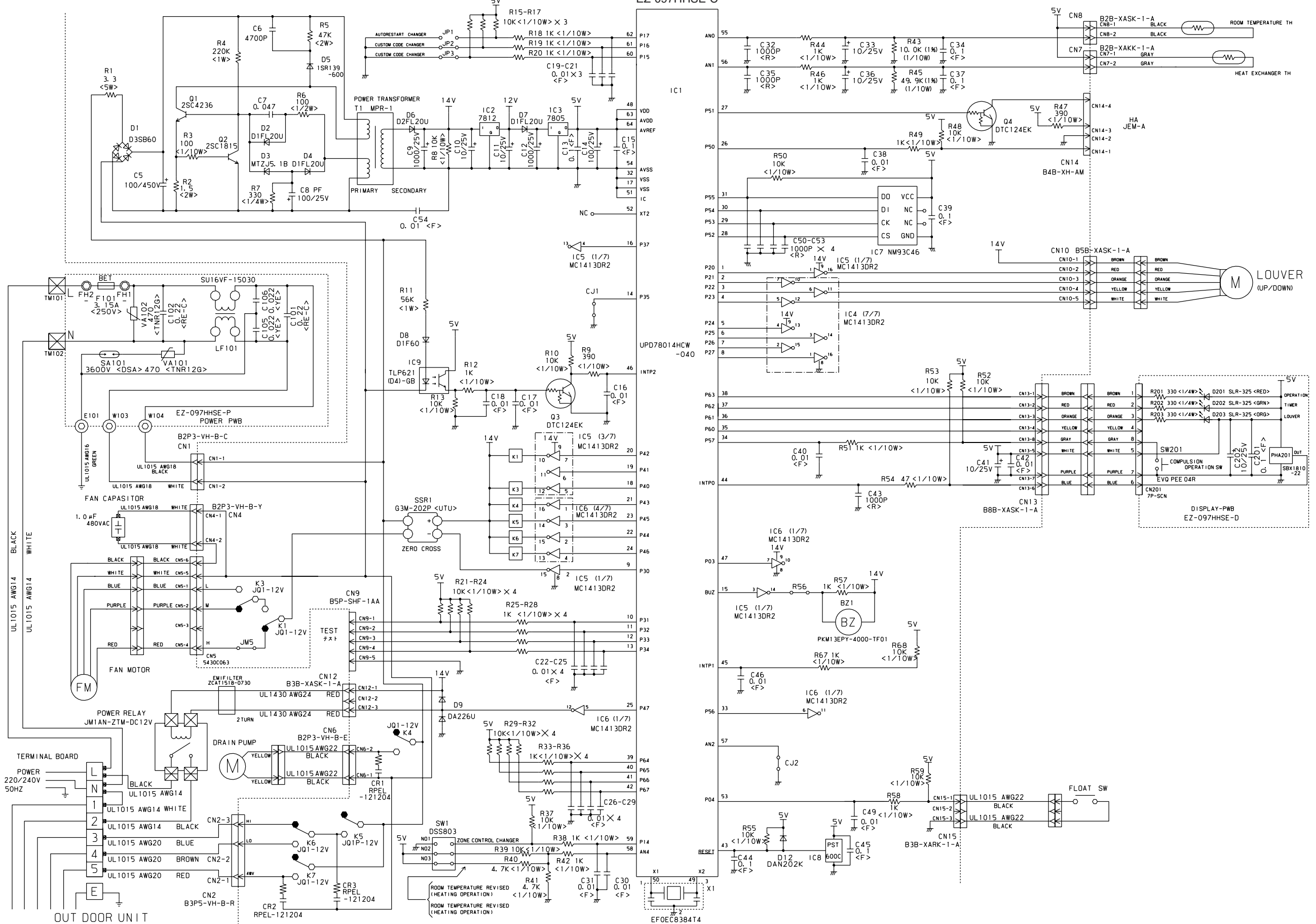
Models : AUY18AGA, AUG18AGA, AUT18AGA

CONTROLLER PCB ASSEMBLY (MAIN PCB)
EZ-097EWSE-C



Models : AUY18RGA, AUG18RGA, AUT18RGA

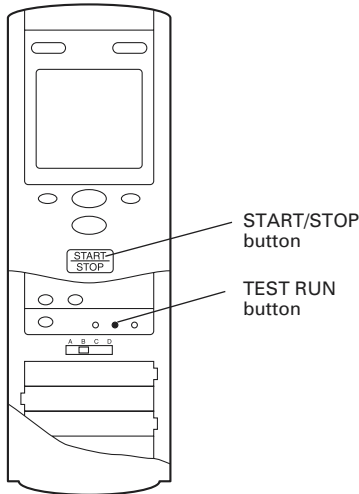
CONTROLLER PCB ASSEMBLY (MAIN PCB)
EZ-097HHSE-C



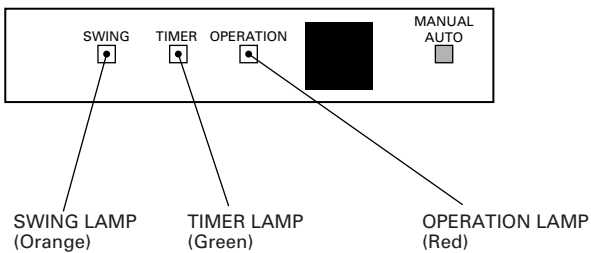
ERROR CONTENTS

Models : AU Y12AGA / AO Y12AGAL, AUG12AGA / AOG12AGAL, AUT12AGA / AOT12AGAL, AU Y14AGA / AO Y14AGAL, AUG14AGA / AOG14AGAL, AUT14AGA / AOT14AGAL, AU Y18AGA / AO Y18ANCL, AUG18AGA / AOG18ANCL, AUT18AGA / AOT18ANCL

- Press the remote control unit, test run button while the air conditioner is running.
- At the end of test running, press the remote control unit start/stop button.



- Run the air conditioner in accordance with the operating manual.



Operation can be checked by lighting and flashing of the grille display section OPERATION and TIMER lamps.

Perform judgment in accordance with the following.

- Test running

When the air conditioner is run by pressing the remote controller test run button, the OPERATION and TIMER lamps flash slowly at the same time.

- Error

The OPERATION and TIMER lamps operate as follows (Table) according to the error contents.

Table

Error display		Error contents
<p>OPERATION LAMP</p> <p>TIMER LAMP</p>	<p>Two quick flashes repeated</p> <p>0.1 sec ON/OFF repeated</p>	Room temperature thermistor abnormal temperature detected
<p>OPERATION LAMP</p> <p>TIMER LAMP</p>	<p>Three quick flashes repeated</p> <p>0.1 sec ON/OFF repeated</p>	Piping thermistor abnormal temperature detected
<p>OPERATION LAMP</p> <p>TIMER LAMP</p>	<p>Four quick flashes repeated</p> <p>0.1 sec ON/OFF repeated</p>	Float switch ON for 3 minutes or longer

CHECK ITEMS

1. INDOOR UNIT

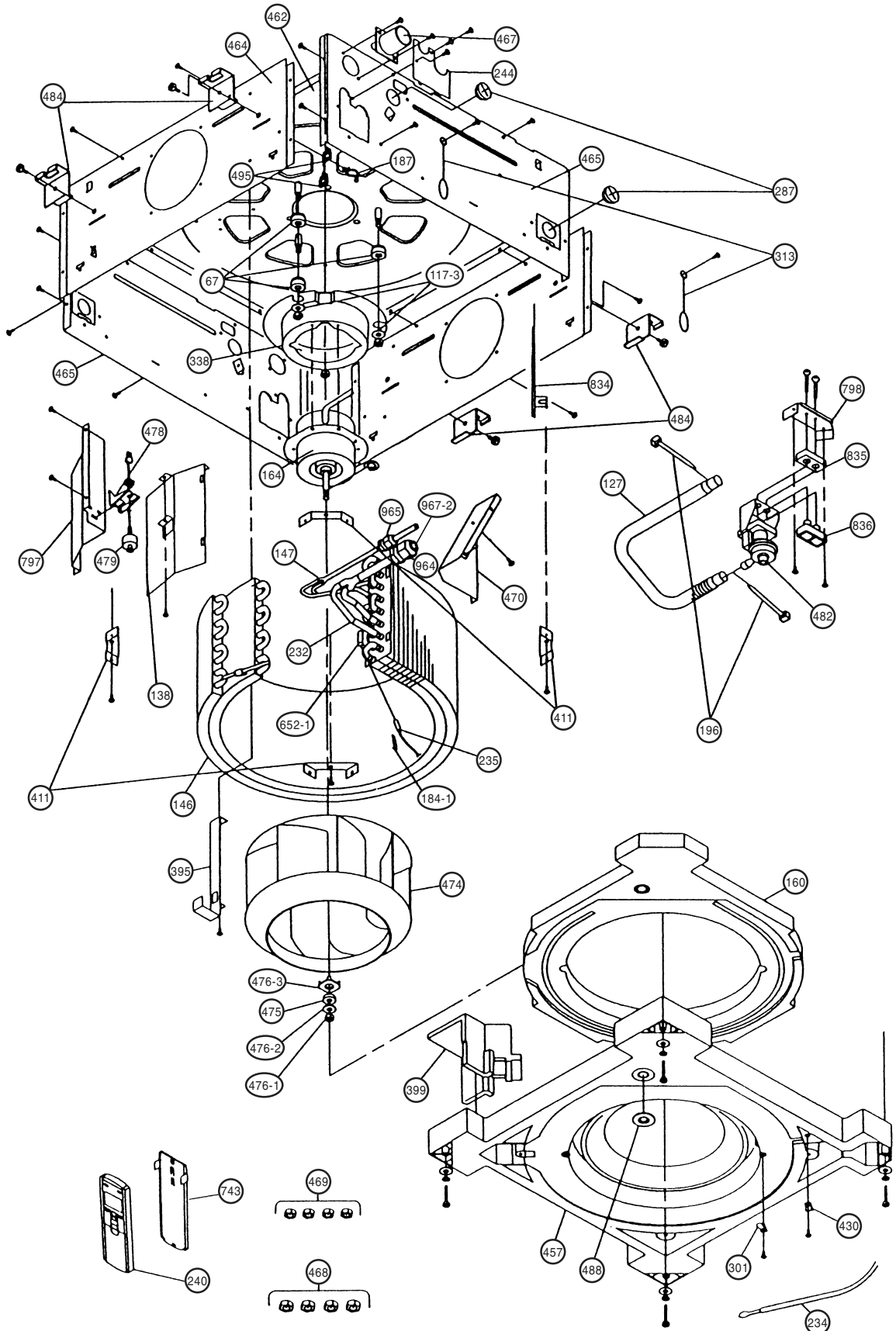
- (1) Is operation of each button on the remote control unit normal?
- (2) Does each lamp light normally?
- (3) Do not air flow direction louvers operate normally?
- (4) Is the drain normal?
- (5) Is there any abnormal noise and vibration during operation?

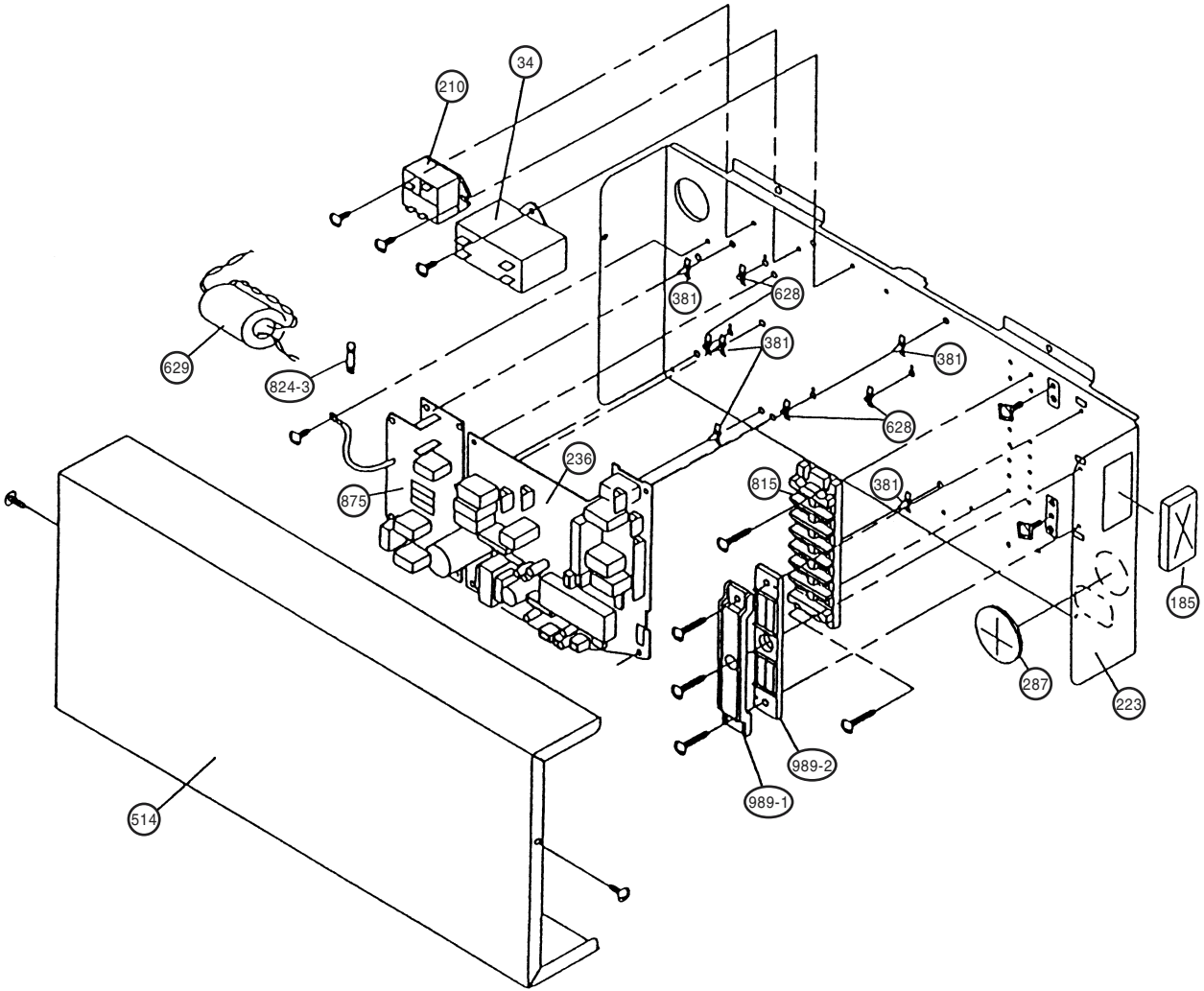
2. OUTDOOR UNIT

- (1) Is there any abnormal noise and vibration during operation?
- (2) Will noise, wind or drain water from the unit disturb the neighbors?
- (3) Is there any gas leakage?
 - Do not operate the air conditioner in the test running state for a long time.
 - For the operation method, refer to the operating manual and perform operation check.

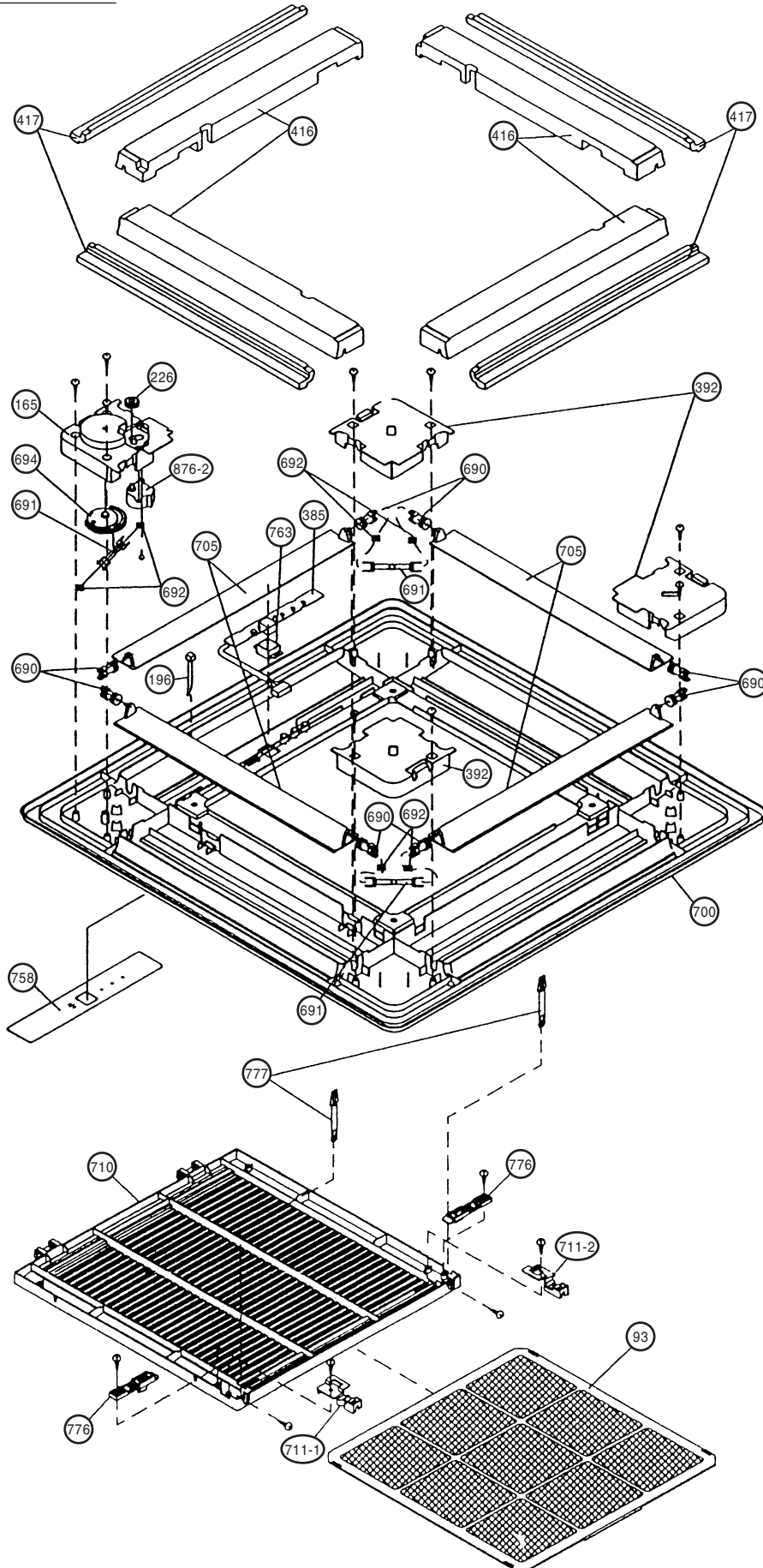
DISASSEMBLY ILLUSTRATION

Models : AUY12AGA, AUG12AGA, AUT12AGA,
AUY14AGA, AUG14AGA, AUT14AGA,
AUY18AGA, AUG18AGA, AUT18AGA,
AUY12RGA, AUG12RGA, AUT12RGA,
AUY14RGA, AUG14RGA, AUT14RGA,
AUY18RGA, AUG18RGA, AUT18RGA

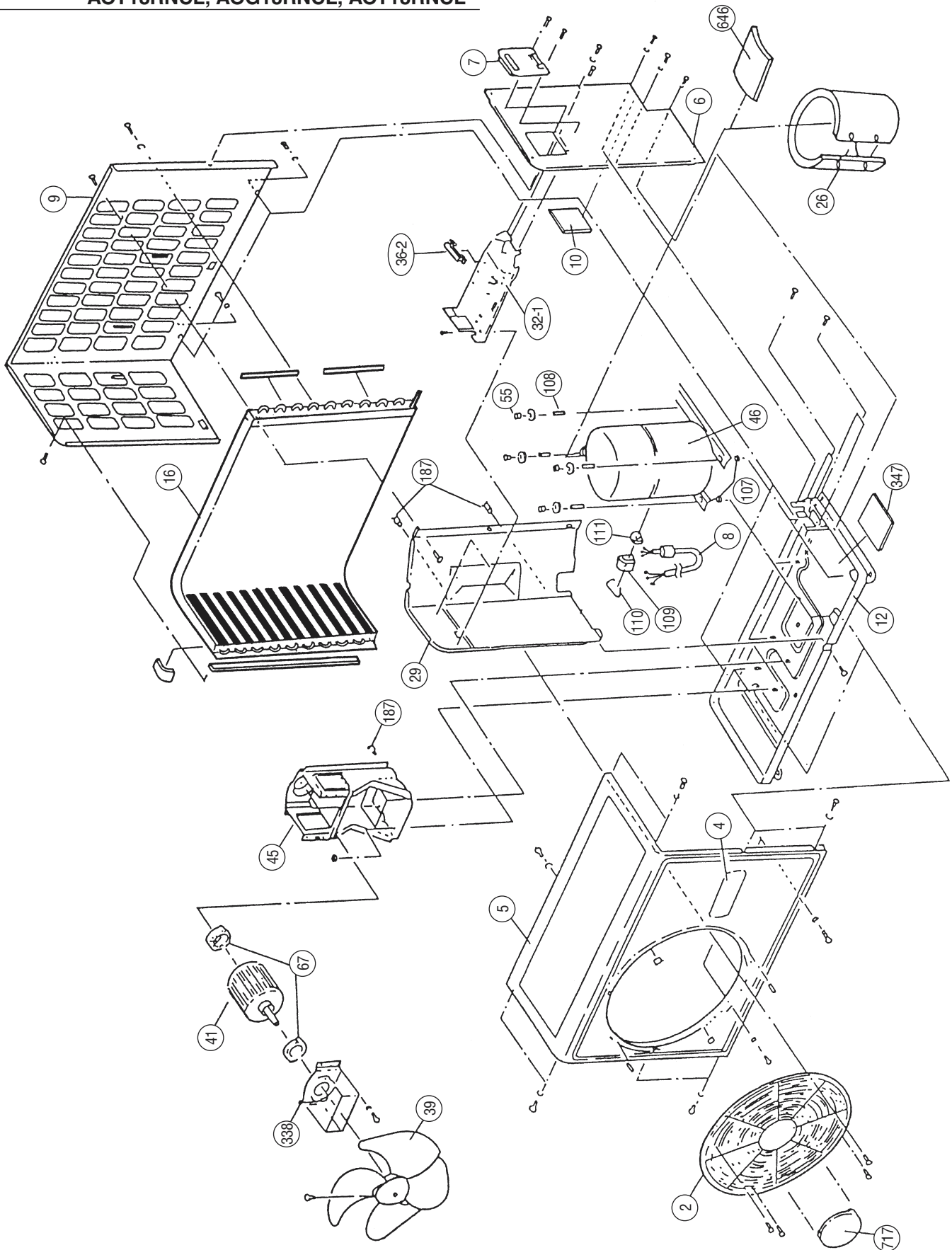




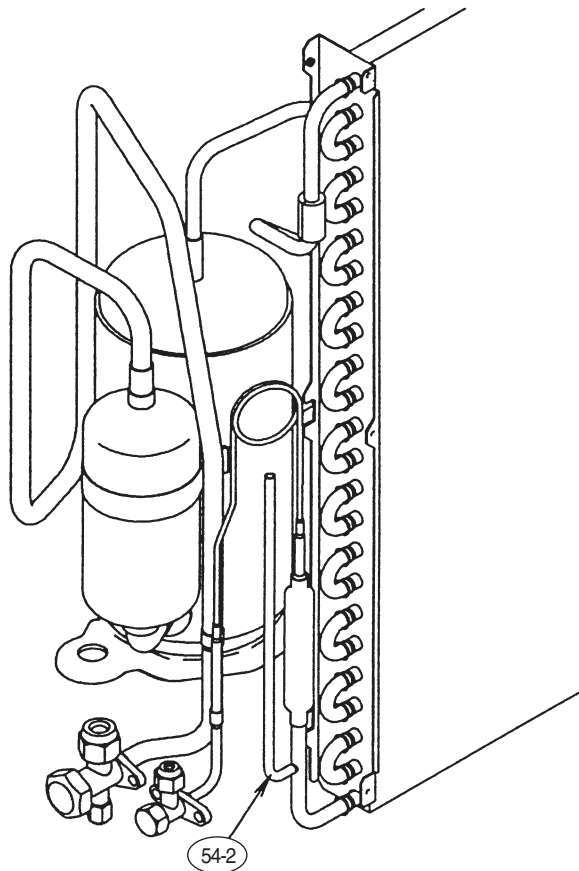
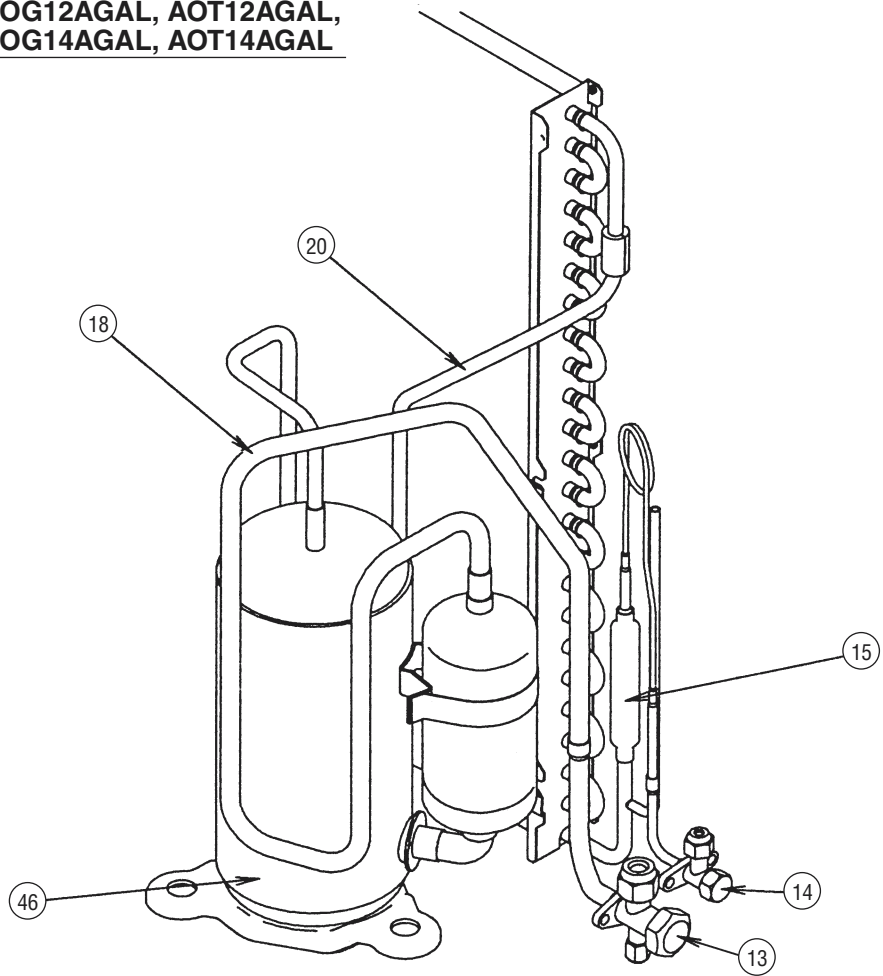
Models : UTG-UDYA-W,
UTG-UDGA-W



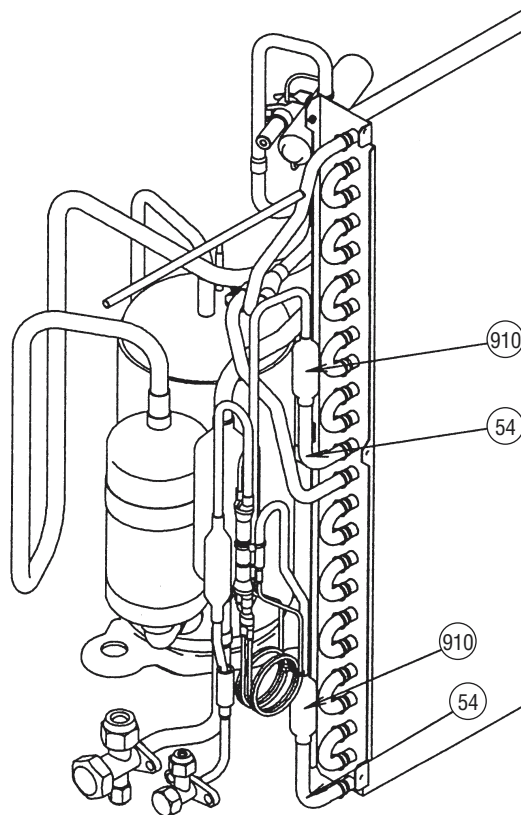
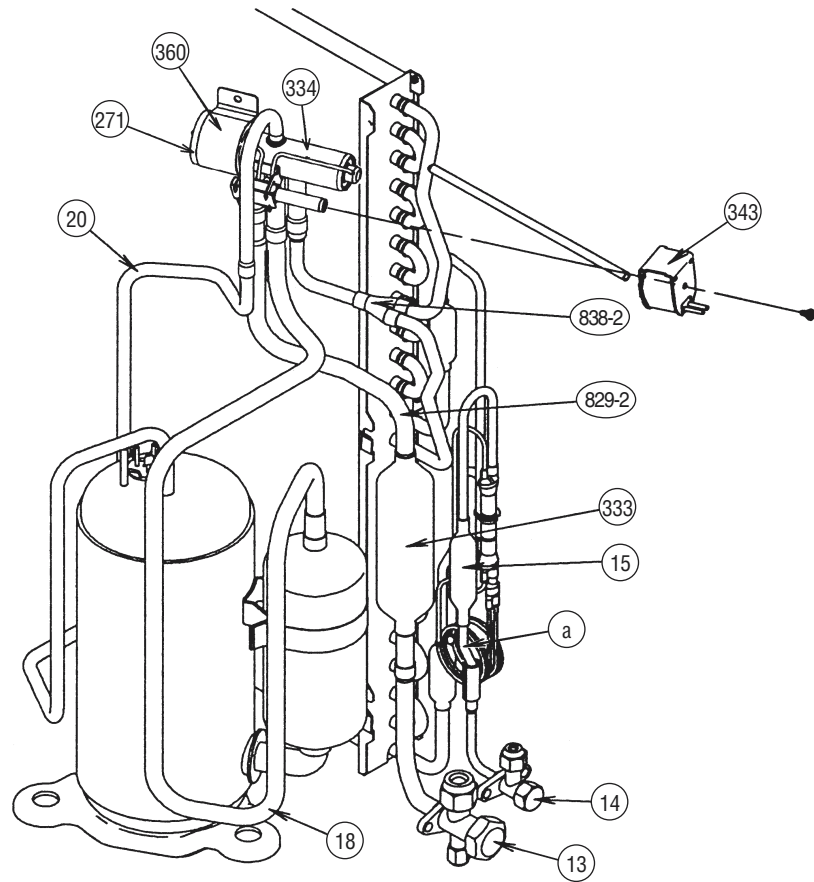
**Models : AOY12AGAL, AOG12AGAL, AOT12AGAL,
 AOY14AGAL, AOG14AGAL, AOT14AGAL,
 AOY18ANCL, AOG18ANCL, AOT18ANCL,
 AOY12RGAL, AOG12RGAL, AOT12RGAL,
 AOY14RGAL, AOG14RGAL, AOT14RGAL,
 AOY18RNCL, AOG18RNCL, AOT18RNCL**



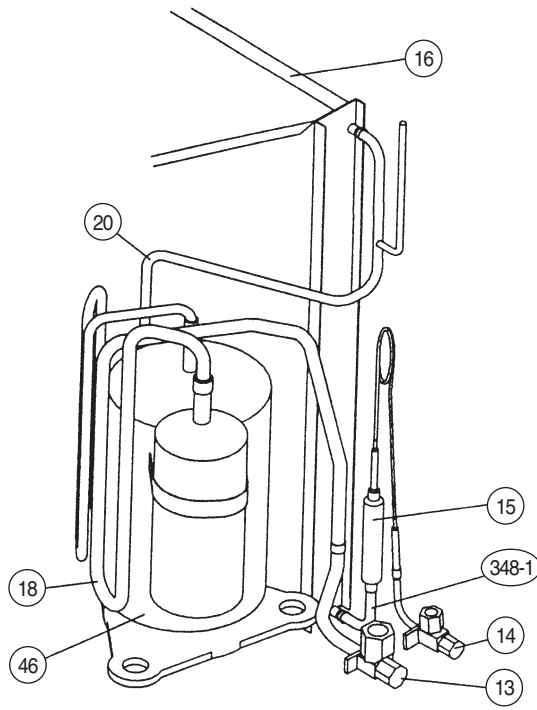
Models : AOY12AGAL, AOG12AGAL, AOT12AGAL,
AOY14AGAL, AOG14AGAL, AOT14AGAL



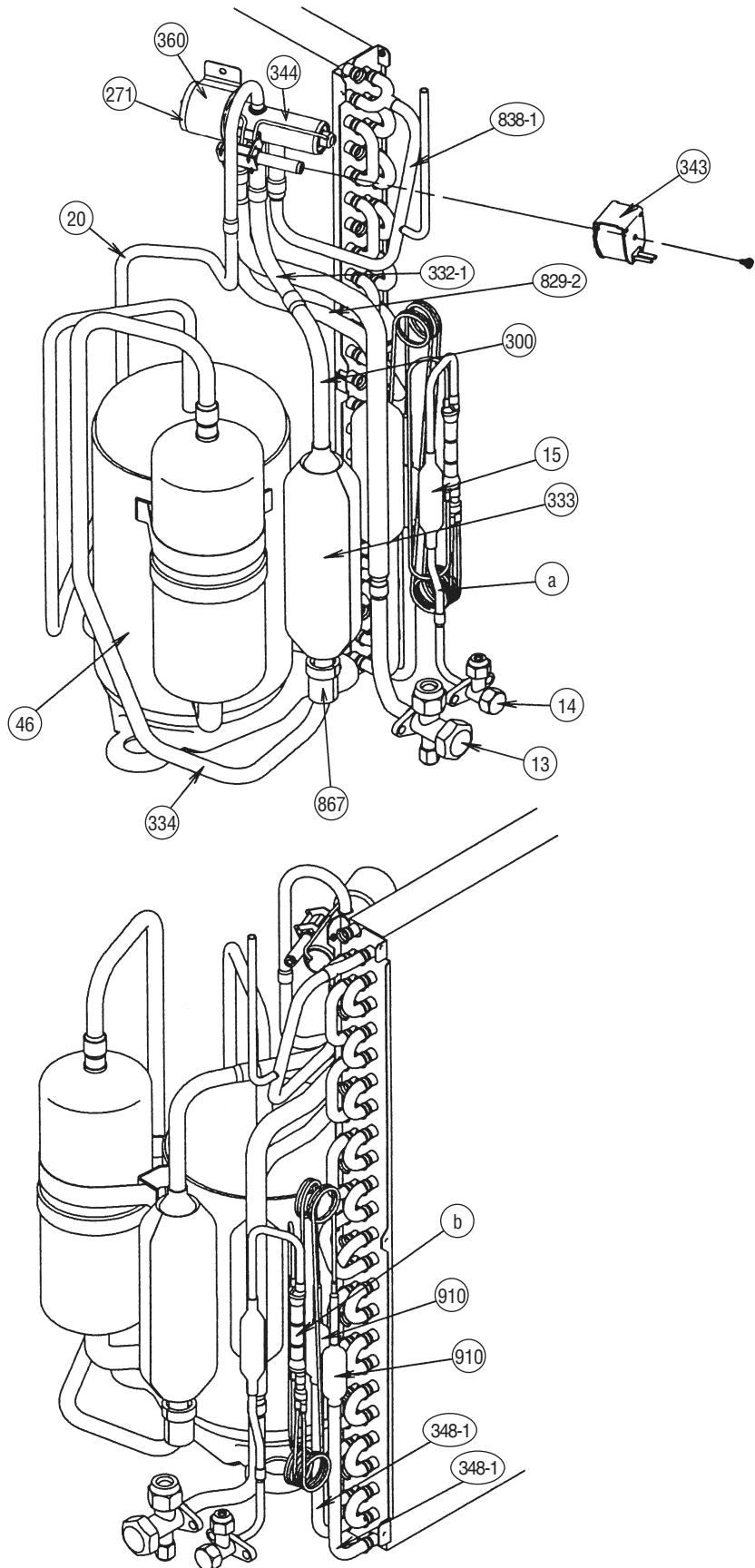
Models : AOY12RGAL, AOG12RGAL, AOT12RGAL,
AOY14RGAL, AOG14RGAL, AOT14RGAL



Models : AOY18ANCL, AOG18ANCL, AOT18ANCL

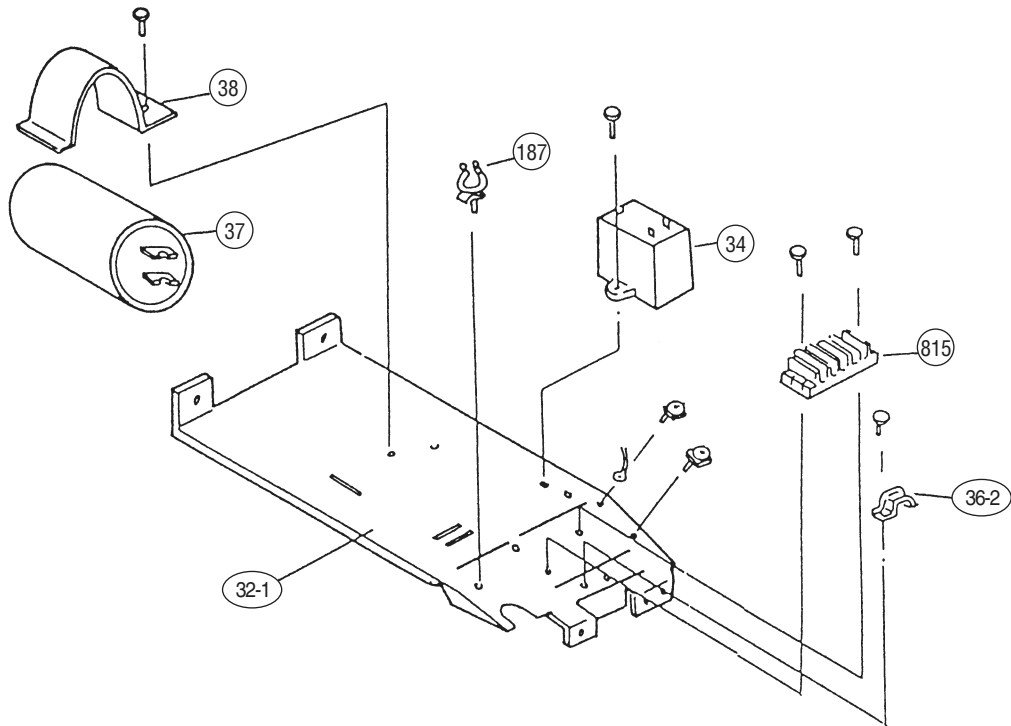


Models : AOY18RNCL, AOG18RNCL, AOT18RNCL



Control Unit

Models : AOY12AGAL, AOG12AGAL, AOT12AGAL,
AOY14AGAL, AOG14AGAL, AOT14AGAL,
AOY18ANCL, AOG18ANCL, AOT18ANCL,
AOY12RGAL, AOG12RGAL, AOT12RGAL,
AOY14RGAL, AOG14RGAL, AOT14RGAL,
AOY18RNCL, AOG18RNCL, AOT18RNCL



PARTS LIST

INDOOR UNIT

Ref. No.	Description	Part No.						Ord. Q'ty
		AUY12AGA AUG12AGA AUT12AGA	AUY12RGA AUG12RGA AUT12RGA	AUY14AGA AUG14AGA AUT14AGA	AUY14RGA AUG14RGA AUT14RGA	AUY18AGA AUG18AGA AUT18AGA	AUY18RGA AUG18RGA AUT18RGA	
34	Capacitor (Fan Motor)	9704305046	9704305046	9704305046	9704305046	9704305046	9703306044	
67	Rubber	9361279001	9361279001	9361279001	9361279001	9361279001	9361279001	
117-3	Special Washer M6	313306391007	313306391007	313306391007	313306391007	313306391007	313306391007	
127	Drain Hose	9359659013	9359659013	9359659013	9359659013	9359659013	9359659013	
138	Separate Wall -A	9359647003	359647003	9359647003	9359647003	9359647003	9359647003	
146	Evaporator Assy -IN	9360009012	9360009012	9360009012	9360009012	9360640017	9360640017	
147	Inlet Pipe (Eva.) Assy	9360010018	9360010018	9360010018	9360010018	9360010018	9360010018	
160	Drain Pan	9359651000	9359651000	9359651000	9359651000	9359651000	9359651000	
164	Fan Motor Assy -IN	9601040019	9601040019	9601040019	9601040019	9601040026	9601040026	
184-1	Thermo. Spring -A	313728262708	313728262708	313728262708	313728262708	313728262708	313728262708	
185	Rubber Bushing	313005066051	313005066051	313005066051	313005066051	313005066051	313005066051	
187	Clamp No. 1219	313361271706	313361271706	313361271706	313361271706	313361271706	313361271706	
196	Clamp SKB -150	313035356905	313035356905	313035356905	313035356905	313035356905	313035356905	
210	Main Relay	9356781007	9356781007	9356781007	9356781007	9356781007	9356781007	
223	Control Box	9359661016	9359661016	9359661016	9359661016	9359661016	9359661016	
232	Outlet Pipe (Eva.) Assy	9360011015	9360011015	9360011015	9360011015	9360011015	9360011015	
234	Thermistor Assy -Room	9703299032	9703299032	9703299032	9703299032	9703299032	9703299032	
235	Thermistor Assy -Pipe	9703297014	9703297014	9703297014	9703297014	9703297014	9703297014	
236	Controller PCB Assy	9701941155	9701941131	9701941155	9701941131	9701941155	9701941193	
240	Remote Control Unit	9359913047	9359913030	9359913047	9359913030	9359913047	9359913030	
244	Pipe Cover	9359646006	9359646006	9359646006	9359646006	9359646006	9359646006	
287	Cap (Power)	9352173011	9352173011	9352173011	9352173011	9352173011	9352173011	
301	Clamp NK -2N	313985355201	313985355201	313985355201	313985355201	313985355201	313985355201	
313	Hooking Wire	9359983002	9359983002	9359983002	9359983002	9359983002	9359983002	
338	Motor Fixture	9359656005	9359656005	9359656005	9359656005	9359656005	9359656005	
381	Locking Spacer	313209391506	313209391506	313209391506	313209391506	313209391506	313209391506	
395	Supporter (Eva.)	9359669005	9359669005	9359669005	9359669005	9359669005	9359669005	
399	Air Duct	9359660002	9359660002	9359660002	9359660002	9359660002	9359660002	
411	Supporter -A	9359655008	9359655008	9359655008	9359655008	9359655008	9359655008	
430	Clamp NK -7N	313095365602	313095365602	313095365602	313095365602	313095365602	313095365602	
457	Drain Pan Support	9359652007	9359652007	9359652007	9359652007	9359652007	9359652007	
462	Top Cover Plate	9359642015	9359642015	9359642015	9359642015	9359642015	9359642015	
464	Body -A	9359643005	9359643005	9359643005	9359643005	9359643005	9359643005	
465	Body -B	9359645009	9359645009	9359645009	9359645009	9359645009	9359645009	
467	Drain Port	313005415658	313005415658	313005415658	313005415658	313005415658	313005415658	
468	Special Nut -A (Large)	313005446653	313005446653	313005446653	313005446653	313005446653	313005446653	
469	Special Nut -B (Small)	313005446759	313005446759	313005446759	313005446759	313005446759	313005446759	
470	Separate Wall -B	9359648000	9359648000	9359648000	9359648000	9359648000	9359648000	
474	Turbo Fan	9359658009	9359658009	9359658009	9359658009	9359658009	9359658009	
475	Turbo Fan Rubber	9366013006	9366013006	9366013006	9366013006	9366013006	9366013006	
476-1	Special Nut M8	313005360755	313005360755	313005360755	313005360755	313005360755	313005360755	
476-2	Special Washer	301801185049	301801185049	301801185049	301801185049	301801185049	301801185049	
476-3	Special Washer	9359954002	9359954002	9359954002	9359954002	9359954002	9359954002	
478	Sensor M. Bracket	9359654001	9359654001	9359654001	9359654001	9359654001	9359654001	
479	Float Switch	313005416154	313005416154	313005416154	313005416154	313005416154	313005416154	
482	Pump Unit	9359974000	9359974000	9359974000	9359974000	9359974000	9359974000	
484	Hanger Metal	9359644002	9359644002	9359644002	9359644002	9359644002	9359644002	
488	Drain Pan Plug	9359653004	9359653004	9359653004	9359653004	9359653004	9359653004	
495	Clamp No. 2U46	9352715006	9352715006	9352715006	9352715006	9352715006	9352715006	
514	Control Box Cover	9359662006	9359662006	9359662006	9359662006	9359662006	9359662006	
628	Locking Spacer -B	313005446558	313005446558	313005446558	313005446558	313005446558	313005446558	
629	EMI Filter	0400197119	0400197119	0400197119	0400197119	0400197119	0400197119	
652-1	Therm. Holder Pipe	313806262805	313806262805	313806262805	313806262805	313806262805	313806262805	
743	Remote Control Holder Case	9359955016	9359955016	9359955016	9359955016	9359955016	9359955016	
797	Separate Wall-C	9359649007	9359649007	9359649007	9359649007	9359649007	9359649007	
798	Pump Hook Bracket	9359650003	9359650003	9359650003	9359650003	9359650003	9359650003	
815	Terminal-7P	9358660102	9358660102	9358660102	9358660102	9358660102	9358660102	
824-3	Fuse	0600222512	0600222512	0600222512	0600222512	0600222512	0600222512	
834	Wire Cover	9359878001	9359878001	9359878001	9359878001	9359878001	9359878001	
835	Cushion -A (For Pump)	9352211003	9352211003	9352211003	9352211003	9352211003	9352211003	
836	Cushion -B (For Pump)	9356084016	9356084016	9356084016	9356084016	9356084016	9356084016	
875	Filter PCB Assy	9702326012	9702326012	9702326012	9702326012	9702326012	9702326012	
964	Flare Nut -A	313996239804	313996239804	313996239804	313996239804	313996239804	313996239804	
965	Flare Nut -B	9351062019	9351062019	9351062019	9351062019	9351062019	9351062019	
967-2	Bonnet -B	9301858006	9301858006	9301858006	9301858006	9301858006	9301858006	
989-1	Cord Clamp -A	9359822011	9359822011	9359822011	9359822011	9359822011	9359822011	
989-2	Cord Clamp -B	9359823018	9359823018	9359823018	9359823018	9359823018	9359823018	

GRILLE ASSY

Ref. No.	Description	Part No.		Ord. Q'ty
		UTG-UDYA-W	UTG-UDGA-W	
93	Filter	9359632009	9359632009	
165	Motor Cover	9359623014	9359623014	
196	Clamp SKB-150	313035356905	313035356905	
226	Motor Gear	9359629009	9359629009	
385	Indicator PCB Assy	9702224011	9702224011	
392	Cover-A	9359622017	9359622017	
416	Insulation (Panel)-A	9359620006	9359620006	
417	Insulation (Panel)-B	9359621003	9359621003	
690	Joint-A	9359626008	9359626008	
691	Joint-B	9359627005	9359627005	
692	Joint Shaft	9359625001	9359625001	
694	Cam Gear	9359628002	9359628002	
700	Panel	9359619017	9359619017	
705	Louver	9359624011	9359624011	
710	Intake Grille	9359631019	9359631019	
711-1	Filter Clamp-A	9359634003	9359634003	
711-2	Filter Clamp-B	9359635000	9359635000	
758	Decoration Plate	9360039019	9360039026	
763	Receiver Cover	9359630005	9359630005	
776	Grille Stopper	9359633013	9359633013	
777	Grille Hook	9359761006	9359761006	
876-2	Step Motor-V	9360307019	9360307019	

OUTDOOR UNIT

Ref. No.	Description	Part No.		Ord. Q'ty
		AOY12AGAL AOT12AGAL	AOY14AGAL AOT14AGAL	
2	Fan Cover	9350214020	9350214020	
4	Emblem-Rear "FUJITSU"	9351355005	9351355005	
5	Cabinet-A, Painted	9303876015	9303876015	
6	Cabinet-C, Painted	9353549013	9353549013	
7	Connector Cover	9358011010	9358011010	
8	Wire Assy (Shield)-D	-----	9350215010	
9	Cabinet-B, Painted	9303874011	9303874011	
10	Noise Insulation-E	313791106305	313791106305	
12	Base Assy, Painted	9353452054	9353452054	
13	3-Way Valve Assy	9364524009	9364524009	
14	2-Way Valve	9358023013	9358023013	
15	Dryer	9368111014	9368111014	
16	Condenser Assy	9353455055	9353455055	
18	Suction Pipe	9371297026	9371297026	
20	Discharge Pipe	9371298023	9371298023	
26	Compressor Cover	9370184006	9370184006	
29	Separate Wall	313986033213	313986033213	
32-1	Control Box Metal-A	9365672013	9365672013	
34	Capacitor (Fan Motor)	9357965024	9357965024	
36-2	Cord Holder Metal	9356362008	9356362008	
37	Running Capacitor	9357211084	9356386035	
38	Capacitor Clamp	313468061808	313468061808	
39	Propeller Fan Assy	9300855013	9300855013	
41	Fan Motor Assy-Out	9600738061	9600738061	
45	Motor Fixing Table Assy	313029311100	313029311100	
46	Compressor Assy	9365866009	9364723006	
54-2	Condensing Pipe Assy	9371378015	9371378015	
55	Special Nut M8 (For Comp.)	9355091008	9355091008	
67	Rubber	313659068604	313659068604	
107	Rubber Seat-A (For Comp.)	9350425014	9350425014	
108	Sleeve-A (For Comp.)	313093081706	313093081706	
109	Terminal Cover (For Comp.)	9363263008	9364724003	
110	Lock Wire	313202059706	313202059706	
111	Terminal Packing	313202059807	313202059807	
187	Clamp No. 1219	313361271706	313361271706	
338	Motor Fixture	313029297108	313029297108	
347	Noise Insulation-D	313712304109	313712304109	
646	Compressor Cover-B	313986355101	313986355101	
717	Center Plate	9351253011	9351253011	
815	Terminal-5P	9356497021	9356497021	
---	Capillary Assy	9371377018	9371377018	

Ref. No.	Description	Part No.		Ord. Q'ty
		AOY12RGAL AOT12RGAL	AOY14RGAL AOT14RGAL	
2	Fan Cover	9350214020	9350214020	
4	Emblem-Rear "FUJITSU"	9351355005	9351355005	
5	Cabinet-A, Painted	9303876015	9303876015	
6	Cabinet-C, Painted	9353549013	9353549013	
7	Connector Cover	9358011010	9358011010	
8	Wire Assy (Shield)-D	-----	9350215010	
9	Cabinet-B, Painted	9303874011	9303874011	
10	Noise Insulation-E	313791106305	313791106305	
12	Base Assy, Painted	9353452054	9353452054	
13	3-Way Valve Assy	9364524009	9364524009	
14	2-Way Valve	9358023013	9358023013	
15	Dryer	9368112011	9368112011	
16	Condenser Assy	9360672018	9360672018	
18	Suction Pipe	9371297019	9371297019	
20	Discharge Pipe	9371298016	9371298016	
26	Compressor Cover	9370184006	9370184006	
29	Separate Wall	313986033213	313986033213	
32-1	Control Box Metal-A	9365672013	9365672013	
34	Capacitor (Fan Motor)	9357965024	9357965024	
36-2	Cord Holder Metal	9356362008	9356362008	
37	Running Capacitor	9357211084	9356386035	
38	Capacitor Clamp	313468061808	313468061808	
39	Propeller Fan Assy	9300855013	9300855013	
41	Fan Motor Assy-Out	9600738061	9600738061	
45	Motor Fixing Table Assy	313029311100	313029311100	
46	Compressor Assy	9365866009	9364723006	
54	Condensing Pipe	9360679000	9360679000	
55	Special Nut M8 (For Comp.)	9355091008	9355091008	
67	Rubber	313659068604	313659068604	
107	Rubber Seat-A (For Comp.)	9350425014	9350425014	
108	Sleeve-A (For Comp.)	313093081706	313093081706	
109	Terminal Cover (For Comp.)	9363263008	9364724003	
110	Lock Wire	313202059706	313202059706	
111	Terminal Packing	313202059807	313202059807	
187	Clamp No. 1219	313361271706	313361271706	
271	4-Way Valve Rubber	313728251908	313728251908	
333	Accumulator	9303037003	9303037003	
338	Motor Fixture	313029297108	313029297108	
343	Solenoid Coil	9704061010	9704061010	
344	4-Way Valve	9307556012	9307556012	
347	Noise Insulation-D	313712304109	313712304109	
360	4-Way Valve Band	313986251802	313986251802	
646	Compressor Cover-B	313986355101	313986355101	
717	Center Plate	9351253011	9351253011	
815	Terminal-5P	9356497021	9356497021	
829-2	Joint Pipe (Valve)	9371296012	9371296012	
838-2	Inlet Pipe Assy	9371299013	9371299013	
910	Strainer	9350379026	9350379026	
---	Capillary Assy	9371287010	9371287065	

OUTDOOR UNIT

Ref. No.	Description	Part No.		Ord. Q'ty
		AOG12AGAL	AOG14AGAL	
2	Fan Cover	9350214020	9350214020	
4	Emblem-Rear "GENERAL"	313791088308	313791088308	
5	Cabinet-A, Painted	9303876015	9303876015	
6	Cabinet-C, Painted	9353549013	9353549013	
7	Connector Cover	9358011010	9358011010	
8	Wire Assy (Shield)-D	-----	9350215010	
9	Cabinet-B, Painted	9303874011	9303874011	
10	Noise Insulation-E	313791106305	313791106305	
12	Base Assy, Painted	9353452054	9353452054	
13	3-Way Valve Assy	9364524009	9364524009	
14	2-Way Valve	9358023013	9358023013	
15	Dryer	9368111014	9368111014	
16	Condenser Assy	9353455055	9353455055	
18	Suction Pipe	9371297026	9371297026	
20	Discharge Pipe	9371298023	9371298023	
26	Compressor Cover	9370184006	9370184006	
29	Separate Wall	313986033213	313986033213	
32-1	Control Box Metal-A	9365672013	9365672013	
34	Capacitor (Fan Motor)	9357965024	9357965024	
36-2	Cord Holder Metal	9356362008	9356362008	
37	Running Capacitor	9357211084	9356386035	
38	Capacitor Clamp	313468061808	313468061808	
39	Propeller Fan Assy	9300855013	9300855013	
41	Fan Motor Assy-Out	9600738061	9600738061	
45	Motor Fixing Table Assy	313029311100	313029311100	
46	Compressor Assy	9365866009	9364723006	
54-2	Condensing Assy	9371378015	9371378015	
55	Special Nut M8 (For Comp.)	9355091008	9355091008	
67	Rubber	313659068604	313659068604	
107	Rubber Seat-A (For Comp.)	9350425014	9350425014	
108	Sleeve-A (For Comp.)	313093081706	313093081706	
109	Terminal Cover (For Comp.)	9363263008	9364724003	
110	Lock Wire	313202059706	313202059706	
111	Terminal Packing	313202059807	313202059807	
187	Clamp No. 1219	313361271706	313361271706	
338	Motor Fixture	313029297108	313029297108	
347	Noise Insulation-D	313712304109	313712304109	
646	Compressor Cover-B	313986355101	313986355101	
717	Center Plate	9351253011	9351253011	
815	Terminal-5P	9356497021	9356497021	
---	Capillary Assy	9371377018	9371377018	

Ref. No.	Description	Part No.		Ord. Q'ty
		AOG12RGAL	AOG14RGAL	
2	Fan Cover	9350214020	9350214020	
4	Emblem-Rear "GENERAL"	313791088308	313791088308	
5	Cabinet-A, Painted	9303876015	9303876015	
6	Cabinet-C, Painted	9353549013	9353549013	
7	Connector Cover	9358011010	9358011010	
8	Wire Assy (Shield)-D	-----	9350215010	
9	Cabinet-B, Painted	9303874011	9303874011	
10	Noise Insulation-E	313791106305	313791106305	
12	Base Assy, Painted	9353452054	9353452054	
13	3-Way Valve Assy	9364524009	9364524009	
14	2-Way Valve	9358023013	9358023013	
15	Dryer	9368112011	9368112011	
16	Condenser Assy	9360672018	9360672018	
18	Suction Pipe	9371297019	9371297019	
20	Discharge Pipe	9371298016	9371298016	
26	Compressor Cover	9370184006	9370184006	
29	Separate Wall	313986033213	313986033213	
32-1	Control Box Metal-A	9365672013	9365672013	
34	Capacitor (Fan Motor)	9357965024	9357965024	
36-2	Cord Holder Metal	9356362008	9356362008	
37	Running Capacitor	9357211084	9356386035	
38	Capacitor Clamp	313468061808	313468061808	
39	Propeller Fan Assy	9300855013	9300855013	
41	Fan Motor Assy-Out	9600738061	9600738061	
45	Motor Fixing Table Assy	313029311100	313029311100	
46	Compressor Assy	9365866009	9364723006	
54	Condensing Pipe	9360679000	9360679000	
55	Special Nut M8 (For Comp.)	9355091008	9355091008	
67	Rubber	313659068604	313659068604	
107	Rubber Seat-A (For Comp.)	9350425014	9350425014	
108	Sleeve-A (For Comp.)	313093081706	313093081706	
109	Terminal Cover (For Comp.)	9363263008	9364724003	
110	Lock Wire	313202059706	313202059706	
111	Terminal Packing	313202059807	313202059807	
187	Clamp No. 1219	313361271706	313361271706	
271	4-Way Valve Rubber	313728251908	313728251908	
333	Accumulator	9303037003	9303037003	
338	Motor Fixture	313029297108	313029297108	
343	Solenoid Coil	9704061010	9704061010	
344	4-Way Valve	9307556012	9307556012	
347	Noise Insulation-D	313712304109	313712304109	
360	4-Way Valve Band	313986251802	-----	
646	Compressor Cover-B	313986355101	313986355101	
717	Center Plate	9351253011	9351253011	
815	Terminal-5P	9356497021	9356497021	
829-1	Joint Pipe (Valve)	9371296012	9371296012	
838-2	Inlet Pipe Assy	9371299013	9371299013	
910	Strainer	9350379026	9350379026	
a	Joint Pipe (Dryer)	9371295015	9371295015	
---	Capillary Assy	9371287010	9371287065	

OUTDOOR UNIT

Ref. No.	Description	Part No.	Ord. Q'ty
		AOY18ANCL AOT18ANCL	
2	Fan Cover	9350214020	
4	Emblem-Rear "FUJITSU"	9351355005	
5	Cabinet-A, Painted	9303876015	
6	Cabinet-C, Painted	9353549013	
7	Connector Cover	9358011010	
8	Wire Assy (Shield)-D	9370945027	
9	Cabinet-B, Painted	9303874011	
10	Noise Insulation-E	313791106305	
12	Base Assy, Painted	9353452054	
13	3-Way Valve Assy	9364524009	
14	2-Way Valve	9358023013	
15	Dryer	9368111014	
16	Condenser Assy	9353455055	
18	Suction Pipe	9371297026	
26	Compressor Cover	9363020007	
29	Separate Wall	313986033213	
32-1	Control Box Metal-A	9365672013	
34	Capacitor (Fan Motor)	9357965024	
36-2	Cord Holder Metal	9356362008	
37	Running Capacitor	9704436023	
38	Capacitor Clamp	9351770013	
39	Propeller Fan Assy	9300855013	
41	Fan Motor Assy-Out	9600738047	
45	Motor Fixing Table Assy	313029311100	
46	Compressor Assy	9368175009	
55	Special Nut M8 (For Comp.)	9355091008	
67	Rubber	313659068604	
107	Rubber Seat-A (For Comp.)	9351049010	
108	Sleeve-A (For Comp.)	313093081706	
109	Terminal Cover (For Comp.)	9351048013	
110	Lock Wire	313202059706	
111	Terminal Packing	313202059807	
187	Clamp No. 1219	313361271706	
338	Motor Fixture	313029297108	
347	Noise Insulation-D	313712304109	
646	Compressor Cover-B	9363021004	
717	Center Plate	9351253011	
815	Terminal-5P	9356497021	
829-2	Joint Pipe (Valve)	9363434002	
---	Capillary (Cool)	9368186005	

Ref. No.	Description	Part No.	Ord. Q'ty
		AOY18RNCL AOT18RNCL	
2	Fan Cover	9350214020	
4	Emblem-Rear "FUJITSU"	9351355005	
5	Cabinet-A, Painted	9303876015	
6	Cabinet-C, Painted	9353549013	
7	Connector Cover	9358011010	
8	Wire Assy (Shield)-D	9370945027	
9	Cabinet-B, Painted	9303874011	
10	Noise Insulation-E	313791106305	
12	Base Assy, Painted	9353452054	
13	3-Way Valve Assy	9364524009	
14	2-Way Valve	9358023013	
15	Dryer	9368112011	
16	Condenser Assy	9353455048	
18	Suction Pipe	9371297019	
20	Discharge Pipe	9369562006	
26	Compressor Cover	9363020007	
29	Separate Wall	313986033213	
32-1	Control Box Metal-A	9365672013	
34	Capacitor (Fan Motor)	9357965024	
36-2	Cord Holder Metal	9356362008	
37	Running Capacitor	9704436023	
38	Capacitor Clamp	9351770013	
39	Propeller Fan Assy	9300855013	
41	Fan Motor Assy-Out	9600738047	
45	Motor Fixing Table Assy	313029311100	
46	Compressor Assy	9368175009	
55	Special Nut M8 (For Comp.)	9355091008	
67	Rubber	313659068604	
107	Rubber Seat-A (For Comp.)	9351049010	
108	Sleeve-A (For Comp.)	313093081706	
109	Terminal Cover (For Comp.)	9351048013	
110	Lock Wire	313202059706	
111	Terminal Packing	313202059807	
187	Clamp No. 1219	313361271706	
271	4-Way Valve Rubber	313728251908	
300	Suction Pipe-C	9371276021	
332-1	Suction Pipe-D	9367135004	
333	Accumulator	9350363018	
334	Suction Pipe-B	9371275031	
338	Motor Fixture	313029297108	
343	Solenoid Coil	9359616092	
344	4-Way Valve	313943302804	
347	Noise Insulation-D	313712304109	
348-1	Outlet Pipe-B	9365391020	
360	4-Way Valve Band	313986251802	
646	Compressor Cover-B	9363021004	
717	Center Plate	9351253011	
815	Terminal-5P	9356497021	
829-2	Joint Pipe (Valve)	9371296012	
838-1	Inlet Pipe-A Assy	9366859017	
867	Accumulator Holder Rubber	9354022027	
910	Strainer	313791086401	
a	Joint Pipe (Dryer)	9371295015	
b	Capillary Assy	9371287041	

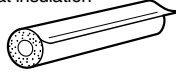


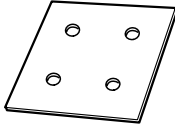
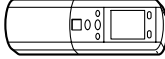



OUTDOOR UNIT

Ref. No.	Description	Part No.	Ord. Q'ty
		AOG18ANCL	
2	Fan Cover	9350214020	
4	Emblem-Rear "GENERAL"	313791088308	
5	Cabinet-A, Painted	9303876015	
6	Cabinet-C, Painted	9353549013	
7	Connector Cover	9358011010	
8	Wire Assy (Shield)-D	9370945027	
9	Cabinet-B, Painted	9303874011	
10	Noise Insulation-E	313791106305	
12	Base Assy, Painted	9353452054	
13	3-Way Valve Assy	9364524009	
14	2-Way Valve	9358023013	
15	Dryer	9368111014	
16	Condenser Assy	9353455055	
18	Suction Pipe	9371297026	
26	Compressor Cover	9363020007	
29	Separate Wall	313986033213	
32-1	Control Box Metal-A	9365672013	
34	Capacitor (Fan Motor)	9357965024	
36-2	Cord Holder Metal	9356362008	
37	Running Capacitor	9704436023	
38	Capacitor Clamp	9351770013	
39	Propeller Fan Assy	9300855013	
41	Fan Motor Assy-Out	9600738047	
45	Motor Fixing Table Assy	313029311100	
46	Compressor Assy	9368175009	
55	Special Nut M8 (For Comp.)	9355091008	
67	Rubber	313659068604	
107	Rubber Seat-A (For Comp.)	9351049010	
108	Sleeve-A (For Comp.)	313093081706	
109	Terminal Cover (For Comp.)	9351048013	
110	Lock Wire	313202059706	
111	Terminal Packing	313202059807	
187	Clamp No. 1219	313361271706	
338	Motor Fixture	313029297108	
347	Noise Insulation-D	313712304109	
646	Compressor Cover-B	9363021004	
717	Center Plate	9351253011	
815	Terminal-5P	9356497021	
829-1	Joint Pipe (Valve)	9363434002	
---	Capillary (Cool)	9368186005	




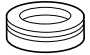
Ref. No.	Description	Part No.	Ord. Q'ty
		AOG18RNCL	
2	Fan Cover	9350214020	
4	Emblem-Rear "GENERAL"	313791088308	
5	Cabinet-A, Painted	9303876015	
6	Cabinet-C, Painted	9353549013	
7	Connector Cover	9358011010	
8	Wire Assy (Shield)-D	9370945027	
9	Cabinet-B, Painted	9303874011	
10	Noise Insulation-E	313791106305	
12	Base Assy, Painted	9353452054	
13	3-Way Valve Assy	9364524009	
14	2-Way Valve	9358023013	
15	Dryer	9368112011	
16	Condenser Assy	9353455048	
18	Suction Pipe	9371297019	
20	Discharge Pipe	9369562006	
26	Compressor Cover	9363020007	
29	Separate Wall	313986033213	
32-1	Control Box Metal-A	9365672013	
34	Capacitor (Fan Motor)	9357965024	
36-2	Cord Holder Metal	9356362008	
37	Running Capacitor	9704436023	
38	Capacitor Clamp	9351770013	
39	Propeller Fan Assy	9300855013	
41	Fan Motor Assy-Out	9600738047	
45	Motor Fixing Table Assy	313029311100	
46	Compressor Assy	9368175009	
55	Special Nut M8 (For Comp.)	9355091008	
67	Rubber	313659068604	
107	Rubber Seat-A (For Comp.)	9351049010	
108	Sleeve-A (For Comp.)	313093081706	
109	Terminal Cover (For Comp.)	9351048013	
110	Lock Wire	313202059706	
111	Terminal Packing	313202059807	
187	Clamp No. 1219	313361271706	
271	4-Way Valve Rubber	313728251908	
300	Suction Pipe-C	9371276021	
332-1	Suction Pipe-D	9367135004	
333	Accumulator	9350363018	
334	Suction Pipe-B	9371275031	
338	Motor Fixture	313029297108	
343	Solenoid Coil	9359616092	
344	4-Way Valve	313943302804	
347	Noise Insulation-D	313712304109	
348-1	Outlet Pipe-B	9365391020	
360	4-Way Valve Band	313986251802	
646	Compressor Cover-B	9363021004	
717	Center Plate	9351253011	
815	Terminal-5P	9356497021	
829-1	Joint Pipe (Valve)	9371296012	
838-1	Inlet Pipe-A Assy	9366859017	
867	Accumulator Holder Rubber	9354022027	
910	Strainer	313791086401	
a	Joint Pipe (Dryer)	9371295015	
b	Capillary Assy	9371287041	

STANDARD ACCESSORIES

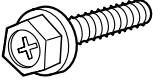



INDOOR UNIT ACCESSORIES

Name and Shape	Application	Part No.
Coupler heat insulation 	For indoor side pipe joint	9350716029
		9352766015
Special nut A (large flange) 	For installing indoor unit	313005446653
Special nut B (small flange) 	For installing indoor unit	313005446759
Template 	For ceiling hole cutting	9360256003
Remote control unit 	Use for air conditioner operation	9359913047 (Cooling model)
		9359913030 (Cooling & Heating model)
Battery (penlight) 	For remote control unit	0600185534
Remote control unit holder 	For mounting the remote control unit	9359955016
Tapping screw (φ 3 x 12) 	For remote control unit holder installation	301141533125

OUTDOOR UNIT ACCESSORIES

Name and Shape	Application	Part No.
Hexagon wrench 	For air purge	9351228019
Drain pipe 	For outdoor unit drain piping work (Heat & Cool model only)	313728031005
Flexible tube 	For outdoor unit drain piping work (Heat & Cool model only)	313013042915
Drain cap 	For outdoor unit drain piping work (Heat & Cool model only)	313160024302

GRILLE ASSY ACCESSORIES

Name and Shape	Application	Part No.
Bolt 	For opening the refrigerant valve on the outdoor unit	9360120021
Washer 	For mounting grille	301801155020
Spring washer 	For mounting grille	301821150218
Blower cover insulation 	For discharged air	9360047007

0304J2237